

'01' SERIES

COMPUTER DIRECT-LINE™ PARAMETRIC EQUALIZER

SAE

Scientific Audio Electronics, Inc.

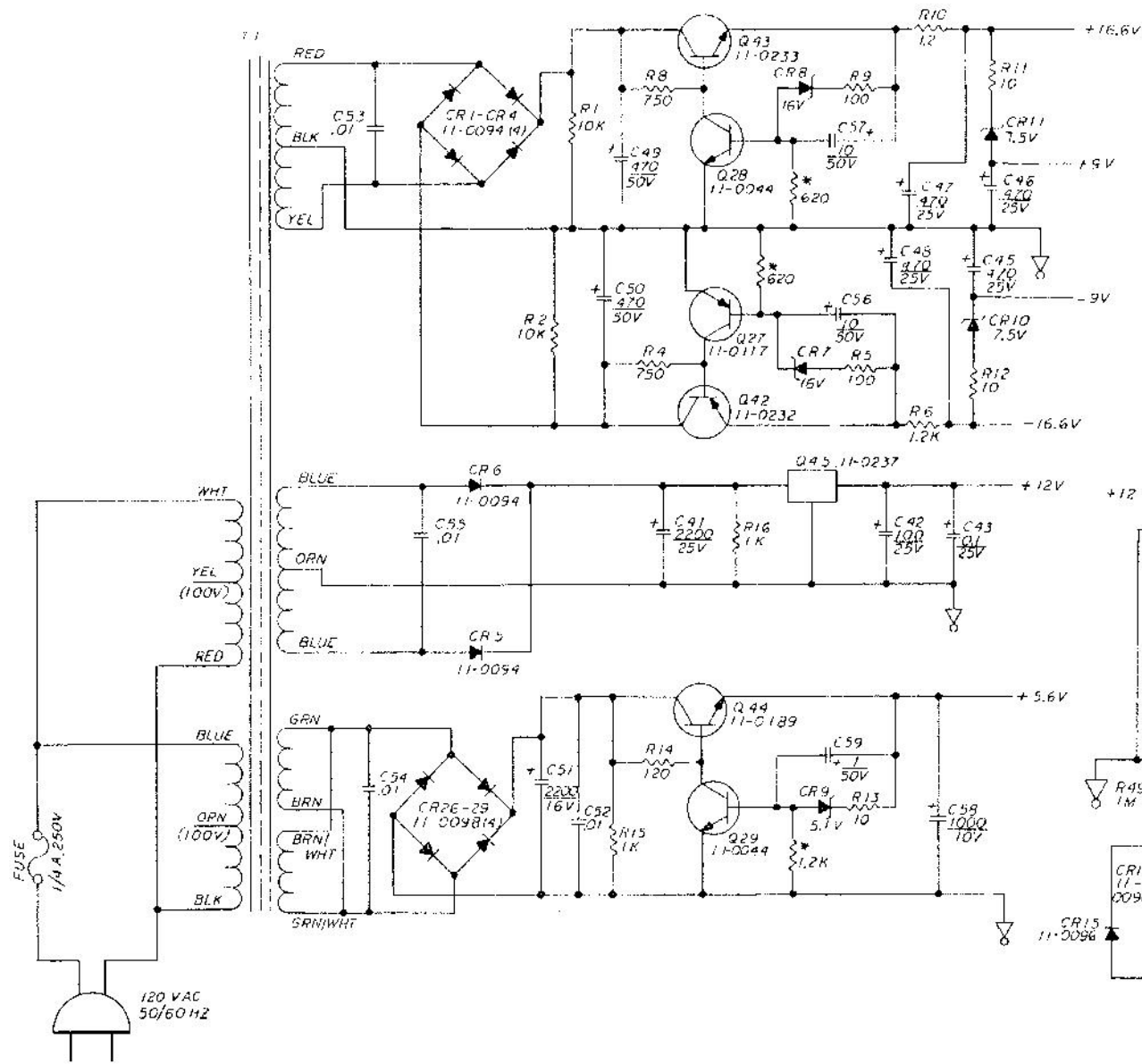
SCHEMATIC DIAGRAMS

D

C

B

A



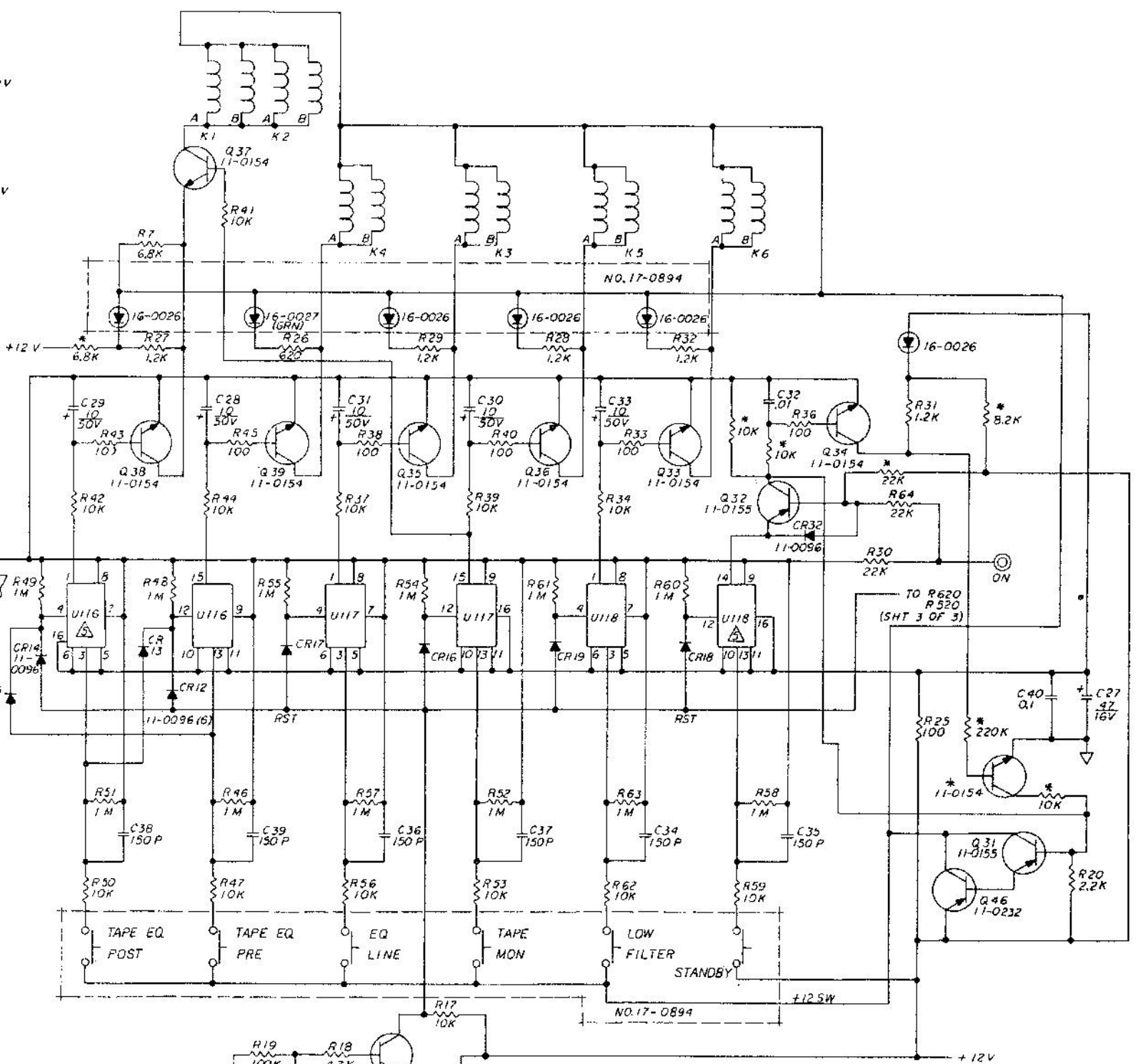
PCB NO. 17-0893
 ASSY. NO. 22-0278

- 6. * -PARTS ON FOIL SIDE OF PCB.
- △ U116-U118 #11-0225 (CD4027B)
- 4. RESISTOR, MICRO COMPUTER (100) USE 500 SERIES-LOW FREQ, 1102 USE 600 SERIES-HIGH FREQ.
- 3. RESISTOR, CH 'A' USE 100 SERIES-LOW FREQUENCY, 300 SERIES USES ON HIGH FREQUENCY;
 CH 'B' USE 200 SERIES-LOW FREQUENCY, 400 SERIES USES ON HIGH FREQUENCY.
- 2. CAPACITOR VALUE IN MICROFARADS.
- 1. RESISTOR VALUE IN OHMS, 1/4W, 5%.

NOTES, UNLESS OTHERWISE SPECIFIED.

DWG. NO.		SH	REV.	REVISIONS		DATE	APPROVED
ZONE	REV.	DESCRIPTION		DATE	APPROVED		

16.6V



QTY	FRGM	PART OR	NOMENCLATURE	MATERIAL
REQD	NO.	IDENTIFYING NO.	OR DESCRIPTION	SPECIFICATION

PARTS LIST		CONTRACT NO.	
UNLESS OTHERWISE SPECIFIED DIMENSIONS ARE IN INCHES TOLERANCES ARE: FRACTIONS DECIMALS ANGLES = .005 .001 .001			

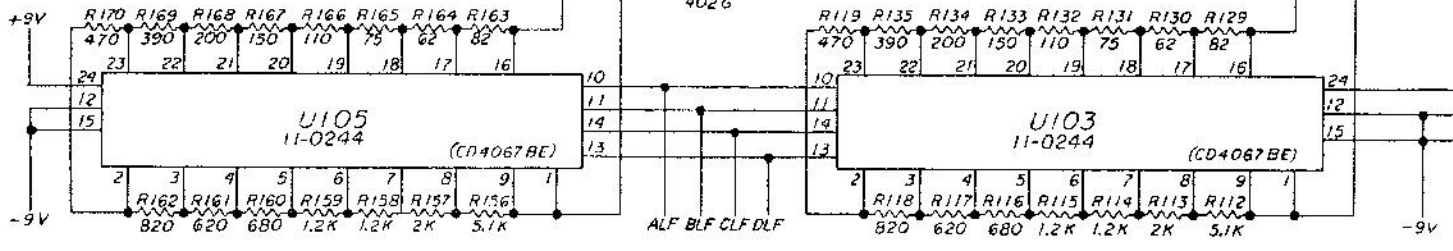
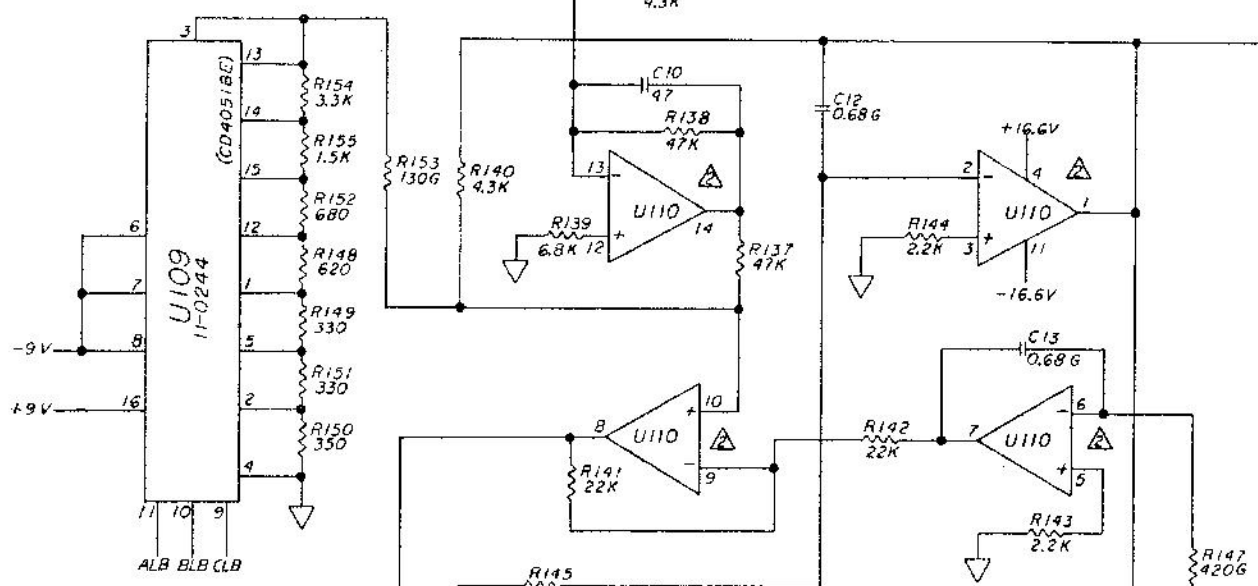
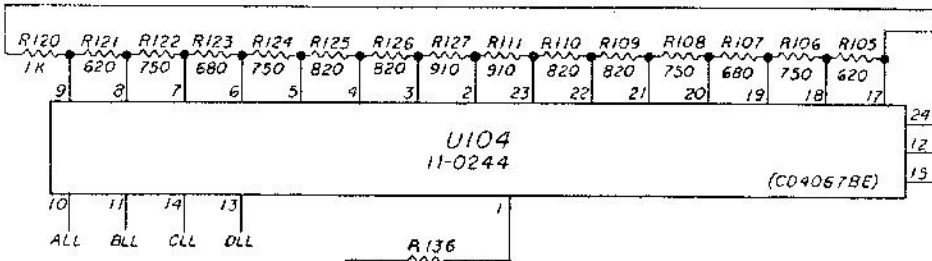
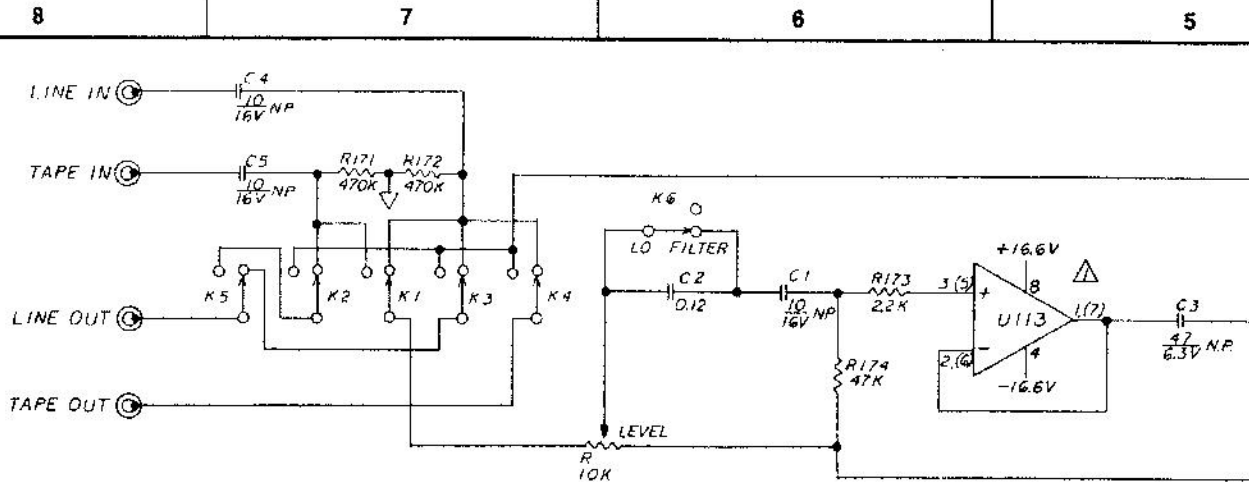
APPROVALS	DATE

SAE	SCIENTIFIC AUDIO ELECTRONICS, INC.

E101		SCHEMATIC, POWER SPLY AND LOGIC CONTROL	

SIZE	FRGM NO.	DWG. NO.	REV.
D			

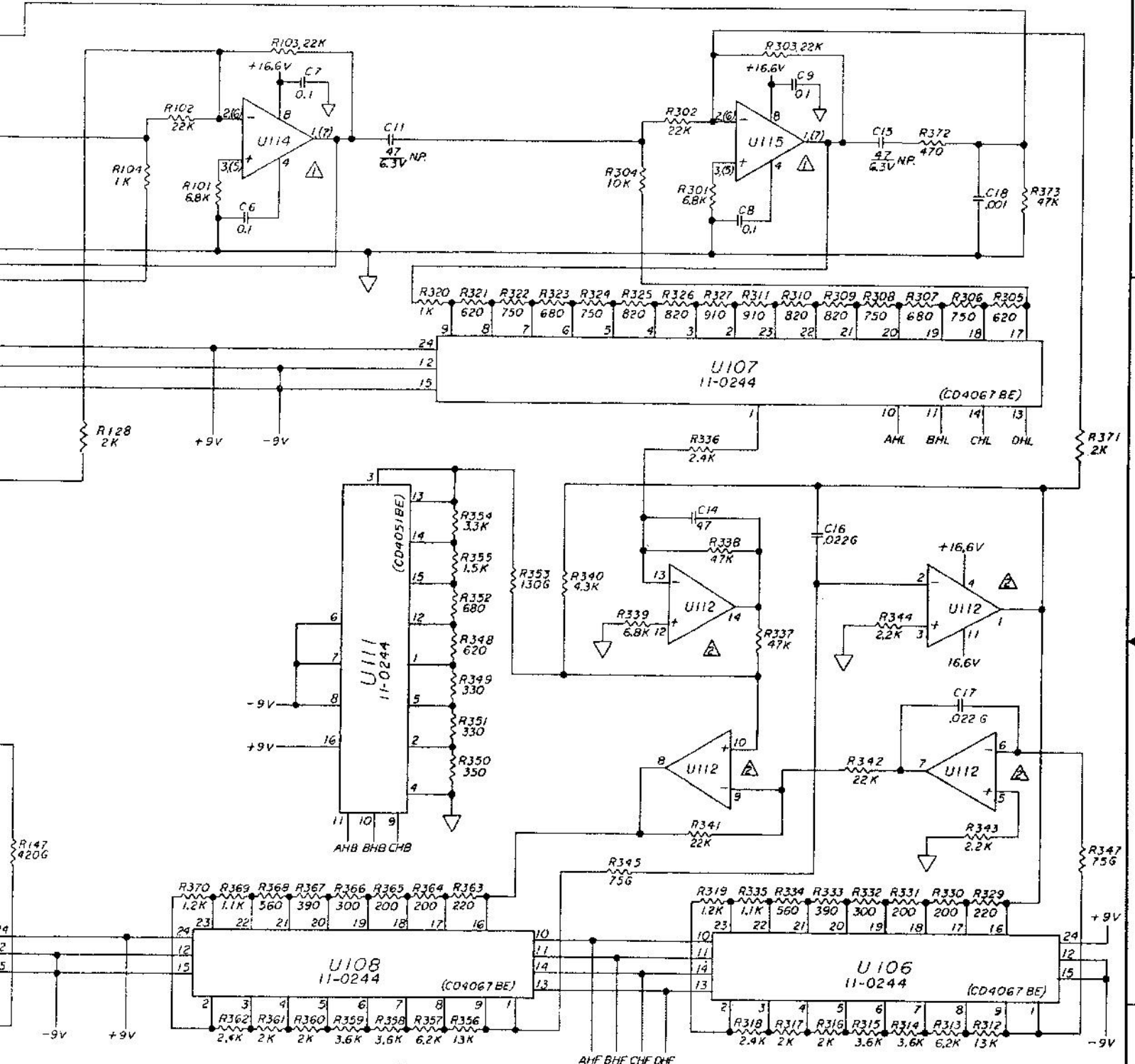
SCALE	SHEET	1 OF 3



— LOW FREQUENCY —
(IN HZ)

U110, U112 *11-0160 (4156)
 U113-U115 *11-0239 (NE5532N)
 NOTES: FOR GENERAL NOTES, SEE SHEET 1 OF 1.

REVISIONS			
ZONE	REV.	DESCRIPTION	DATE



— HIGH FREQUENCY —
(IN KHZ)

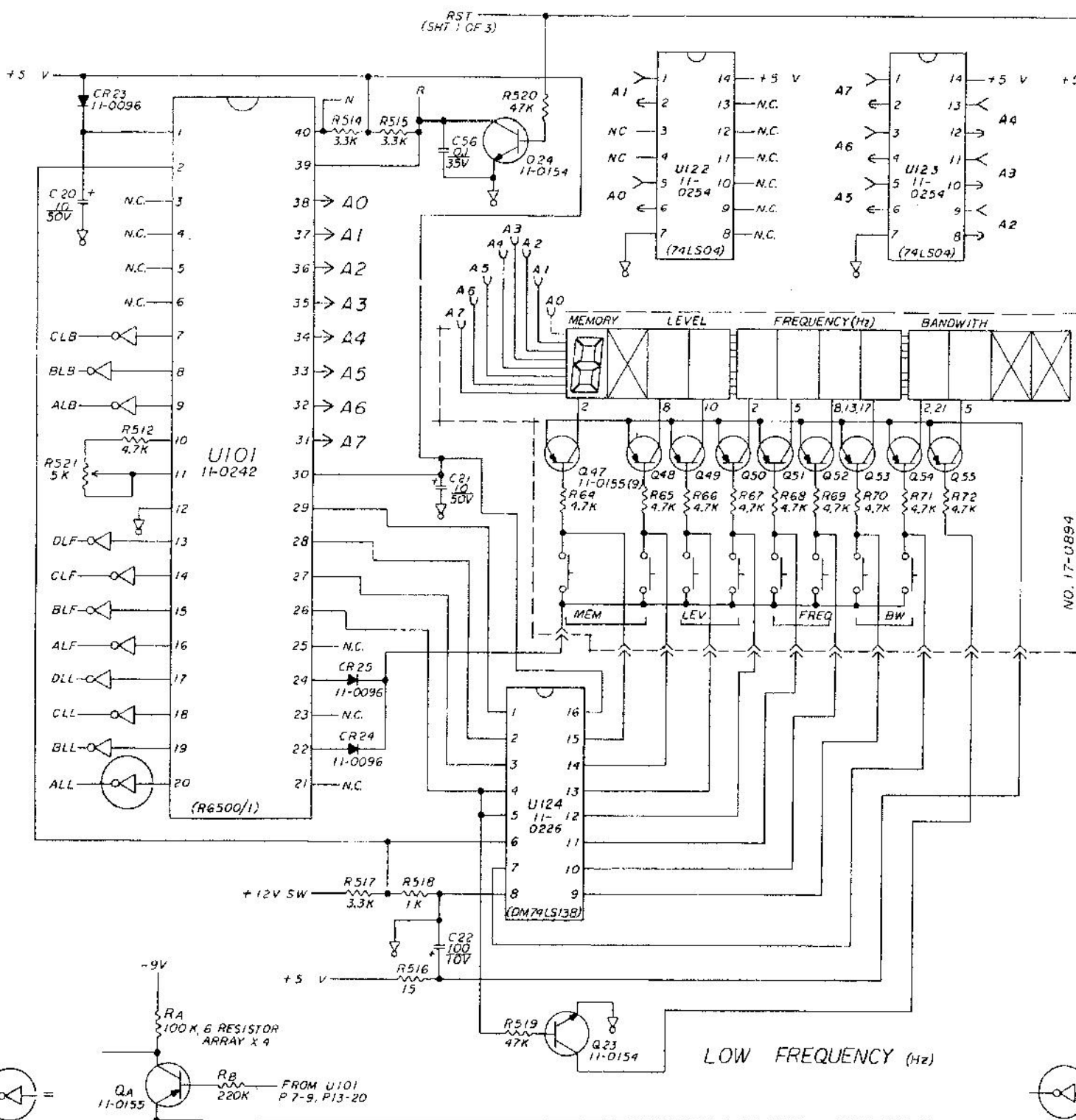
QTY	FRGM	PART OR	NOMENCLATURE	MATERIAL
REQD	NO.	IDENTIFYING	OR DESCRIPTION	SPECIFICATION
PARTS LIST				
UNLESS OTHERWISE SPECIFIED		CONTRACT NO.		
DIMENSIONS ARE IN INCHES		<div style="text-align: center;"> <p>SCIENTIFIC AUDIO ELECTRONICS, INC. 701 S. BAY ST., LOS ANGELES, CALIF. 90005</p> </div>		
TOLERANCES ARE:				
FRACTIONS	DECIMALS	ANGLES	<div style="text-align: center;"> <p>APPROVALS</p> <p>DATE: 12-10-81</p> <p>SCHEMATIC, AUDIO SECTION</p> </div>	
±	±	±		
MATERIAL		DRAWN: <i>JA</i>		
FINISH		CHECKED:		
NEXT ASBY		ISSUED:		
USED ON		MATERIAL SPECIFICATION: D		
APPLICATION		DWG. NO.:		
DO NOT SCALE DRAWING		SCALE:		

D

C

B

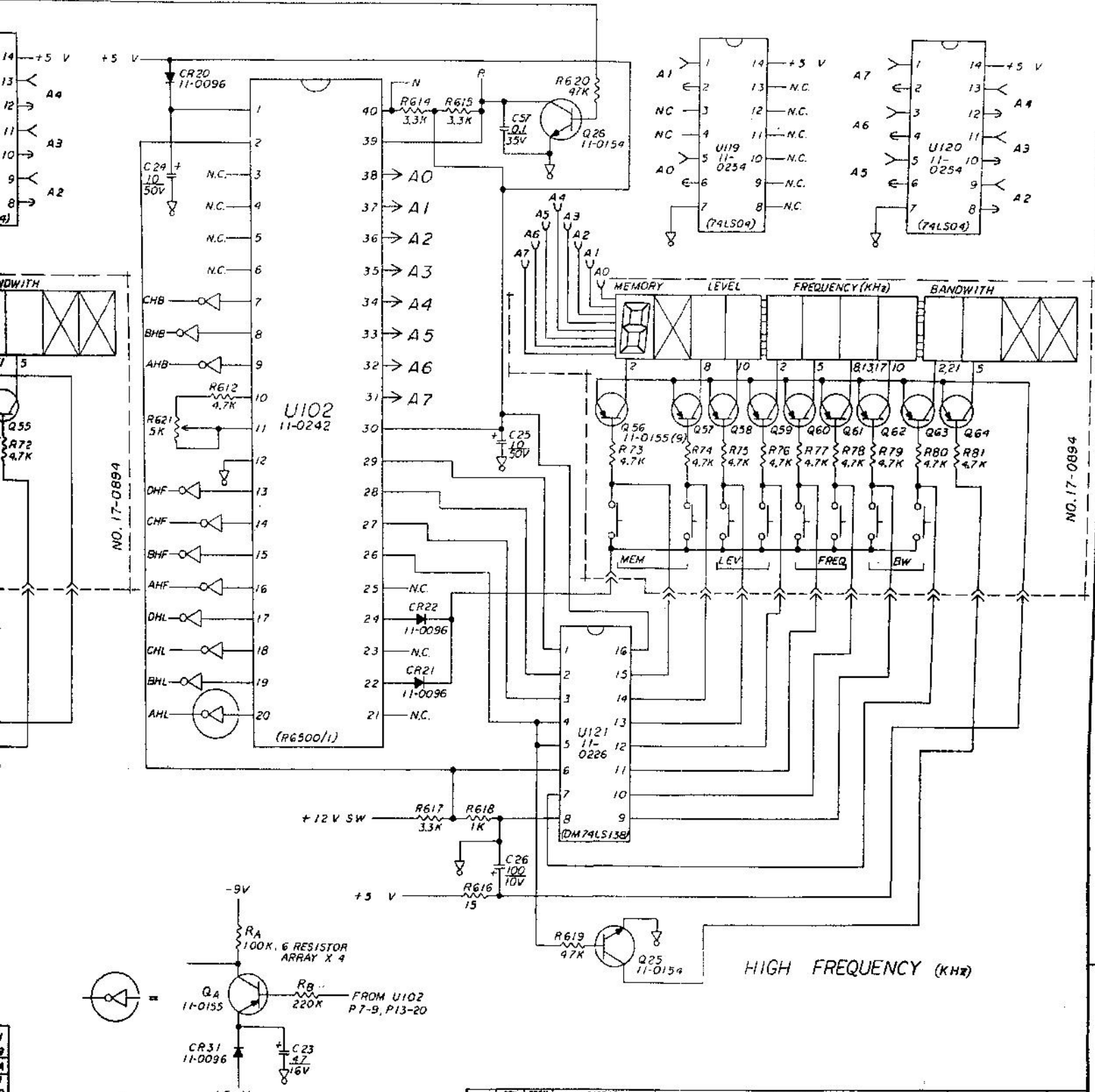
A



KHZ	HZ	LEVEL	6500/1				LEVEL	6500/1				BAND-WIDTH	LEVEL	6500/1																
			13	14	11	10		14	15	16	13			D	C	B	A	9	10	11										
15.00	1500	7	1	1	1	1	0	0	0	0	+16	19	1	1	1	0	0	0	0	1	3.0	0	0	0	0	1	1	1		
10.00	1000	6	1	1	1	0	0	0	1	0	+13	13	1	1	0	1	0	0	1	0	2.5	1	0	0	1	1	1	0		
8.00	800	5	1	1	0	1	0	1	0	0	+10	12	1	1	0	0	0	1	1	2.0	2	0	1	0	1	0	1	0		
6.50	650	4	1	1	0	0	1	1	0	0	+8	11	1	0	1	1	0	1	0	1.7	3	0	1	1	0	1	0	0		
5.00	500	-3	1	0	1	1	0	0	0	0	+6	10	1	0	1	0	1	0	1	1.3	4	1	0	0	0	1	1	0		
4.00	400	2	1	0	1	0	1	0	1	0	+4	9	1	0	1	0	1	1	1	1.0	5	1	0	1	0	1	0	1		
3.00	300	1	1	0	0	1	1	0	0	0	+2	8	1	0	0	0	1	1	1	0.7	6	1	1	0	0	1	1	0		
START	2.00	0	1	0	0	0	1	1	1	0	0	7	0	1	1	1	1	0	0	0.3	7	1	1	1	0	0	0	0		
	1.50	7	0	1	1	1	0	0	0	1	-2	6	0	1	1	0	1	0	0	1										
	1.00	6	0	1	1	0	0	1	1	1	-4	5	0	1	0	1	1	0	1	0										
	.80	5	0	1	0	1	0	1	0	1	-6	4	0	1	0	0	1	0	1	1										
	.65	4	0	1	0	0	0	1	1	1	-8	3	0	0	1	1	1	1	0	0										
	.50	3	0	0	1	1	0	0	1	1	-10	2	0	0	1	0	1	1	1	0										
	.40	2	0	0	1	0	1	0	1	1	-13	1	0	0	0	1	1	1	0	0										
	.30	1	0	0	0	1	1	0	1	0	-16	0	0	0	0	0	1	1	1	1										
	.20	0	0	0	0	0	1	1	1	1																				

NO. 17-0894

DWG. NO.		REV.	REV.	1
REVISIONS				
ZONE	REV.	DESCRIPTION	DATE	APPROVED



NO. 17-0894

NO. 17-0894

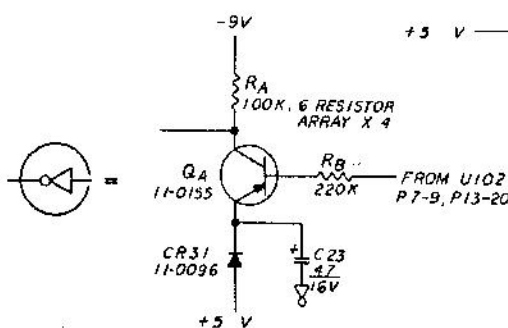
U102
11-0242

U121
11-0226

U119
11-0254

U120
11-0254

HIGH FREQUENCY (KHz)



RA - R613, R620
 RB - R601 TO R611
 QA - Q12 TO Q22

START

QTY	FRGM	PART OR	NOMENCLATURE	MATERIAL								
REQD	NO.	IDENTIFYING NO.	OR DESCRIPTION	SPECIFICATION								
PARTS LIST												
UNLESS OTHERWISE SPECIFIED DIMENSIONS ARE IN INCHES TOLERANCES ARE:		CONTRACT NO.										
FRACTIONS	DECIMALS	ANGLES	<table border="1"> <tr> <td>APPROVALS</td> <td>DATE</td> </tr> <tr> <td>DRAWN</td> <td>12-12-81</td> </tr> <tr> <td>CHECKED</td> <td></td> </tr> <tr> <td>ISSUED</td> <td></td> </tr> </table>		APPROVALS	DATE	DRAWN	12-12-81	CHECKED		ISSUED	
APPROVALS	DATE											
DRAWN	12-12-81											
CHECKED												
ISSUED												
±	±.005	±	<p style="font-size: 2em; font-weight: bold; text-align: center;">SAE</p> <p style="text-align: center;">SCHEMATIC, COMPUTER LOGIC CONTROL</p>									
MATERIAL	FINISH		SIZE	FORM NO.								
E101			D									
NEXT ABBY	USED ON	APPLICATION	DWG. NO.	REV.								
		DO NOT SCALE DRAWING										
			SCALE	SHEET 3 OF 3								

Main office: SCIENTIFIC AUDIO ELECTRONICS, INC.

P.O. Box 60271, Terminal Annex, Los Angeles, California 90060. Tlx: 674061 SAE LSA.

In Canada: The Pringle Group, 30 Scarsdale Road, Don Mills, Ontario, Canada M3B 2R7. Tlx: 06966865 PRINGLE TOR.

In Europe: SAE EUROPE, Via Respighi, 99 41106 Modena, Italy