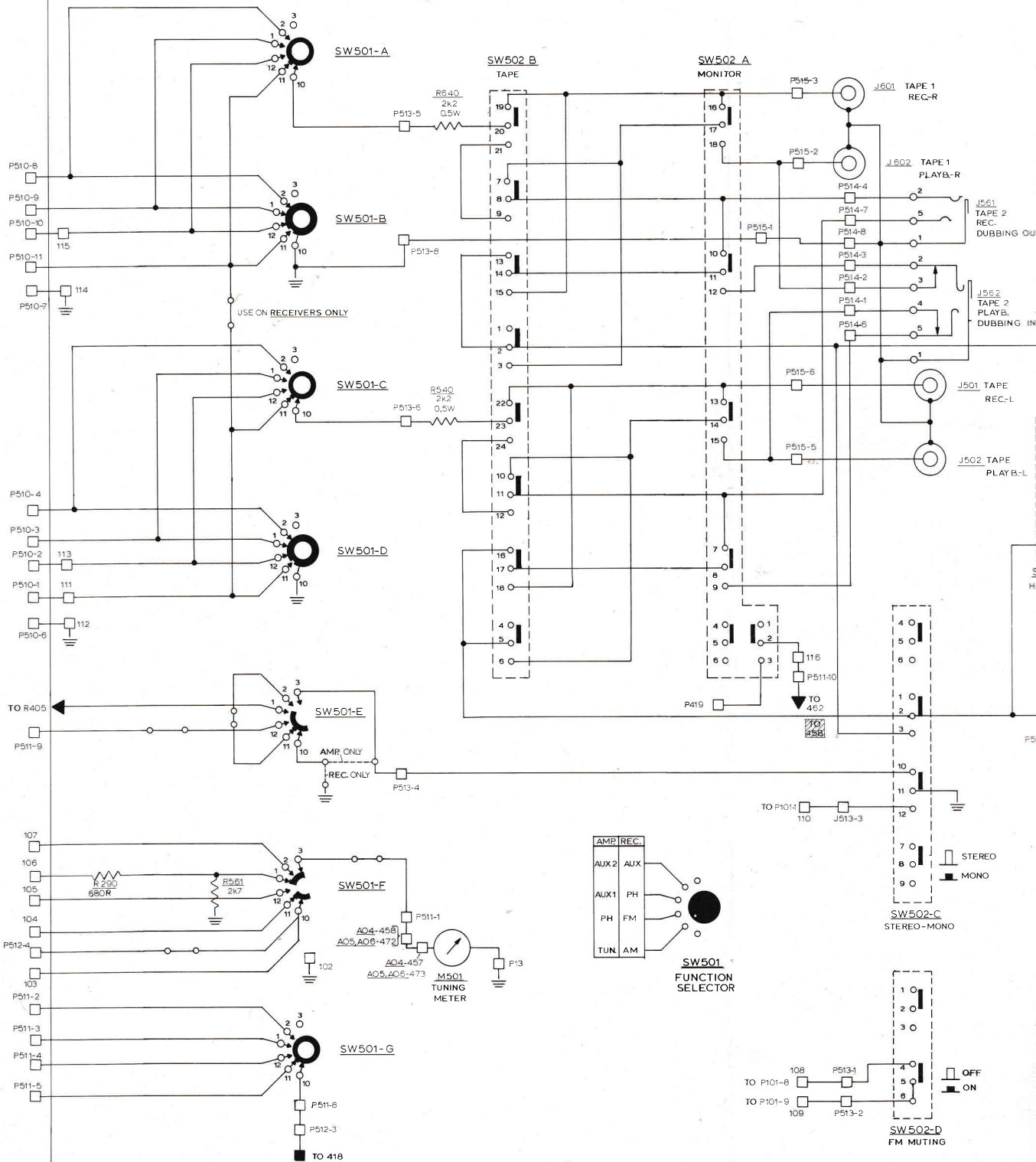
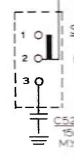
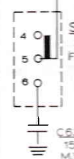
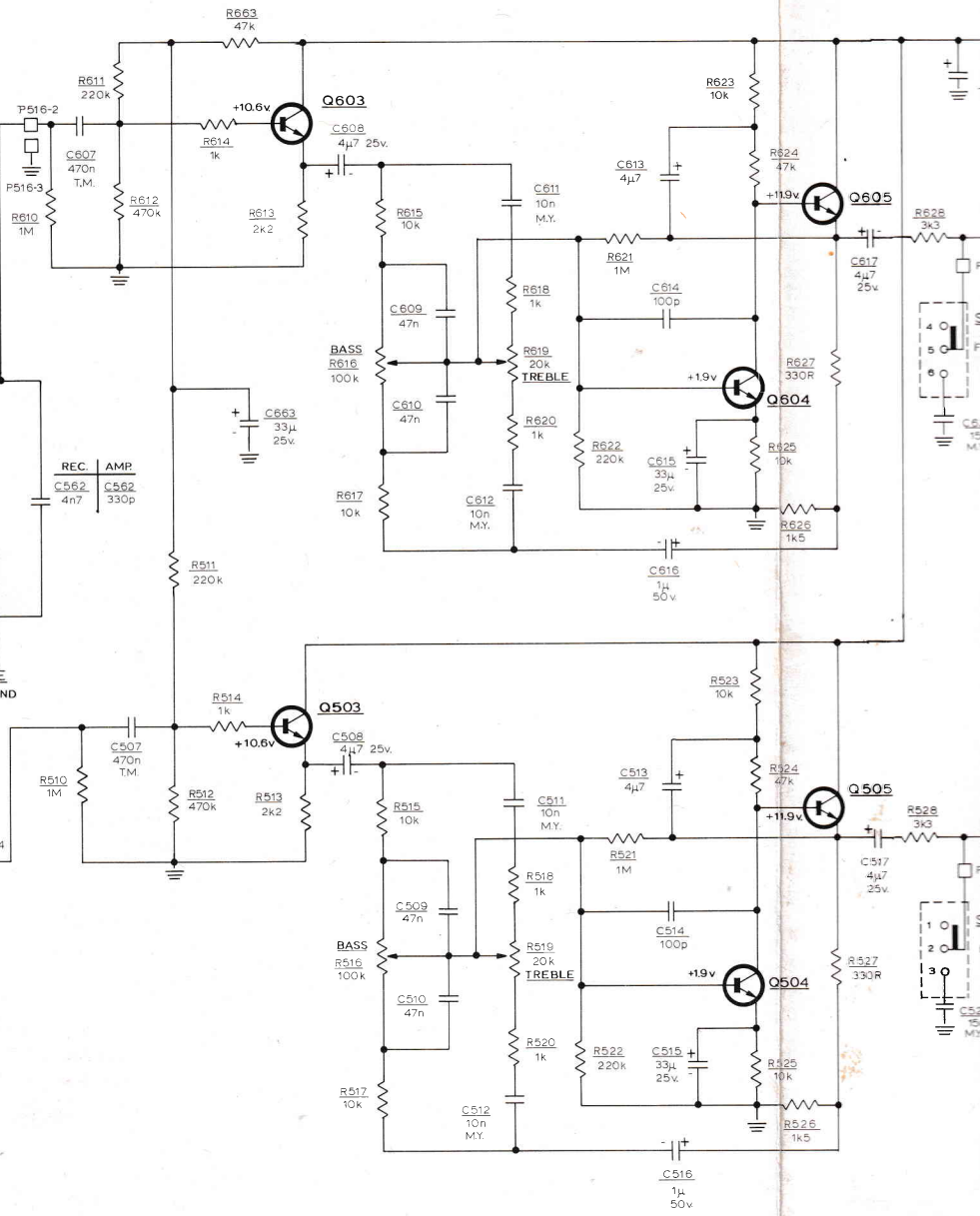
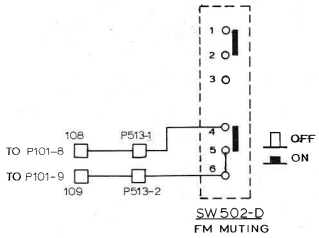
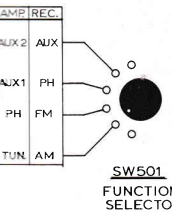
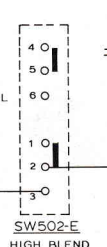
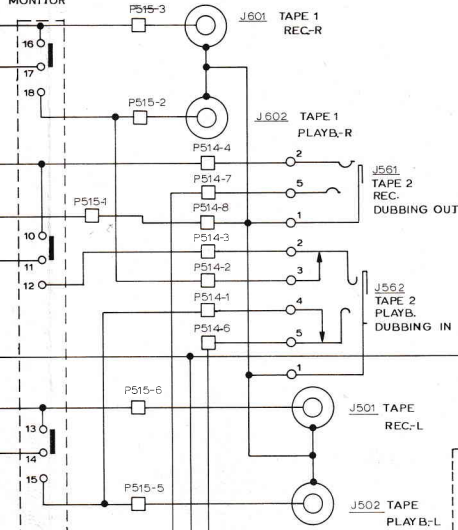


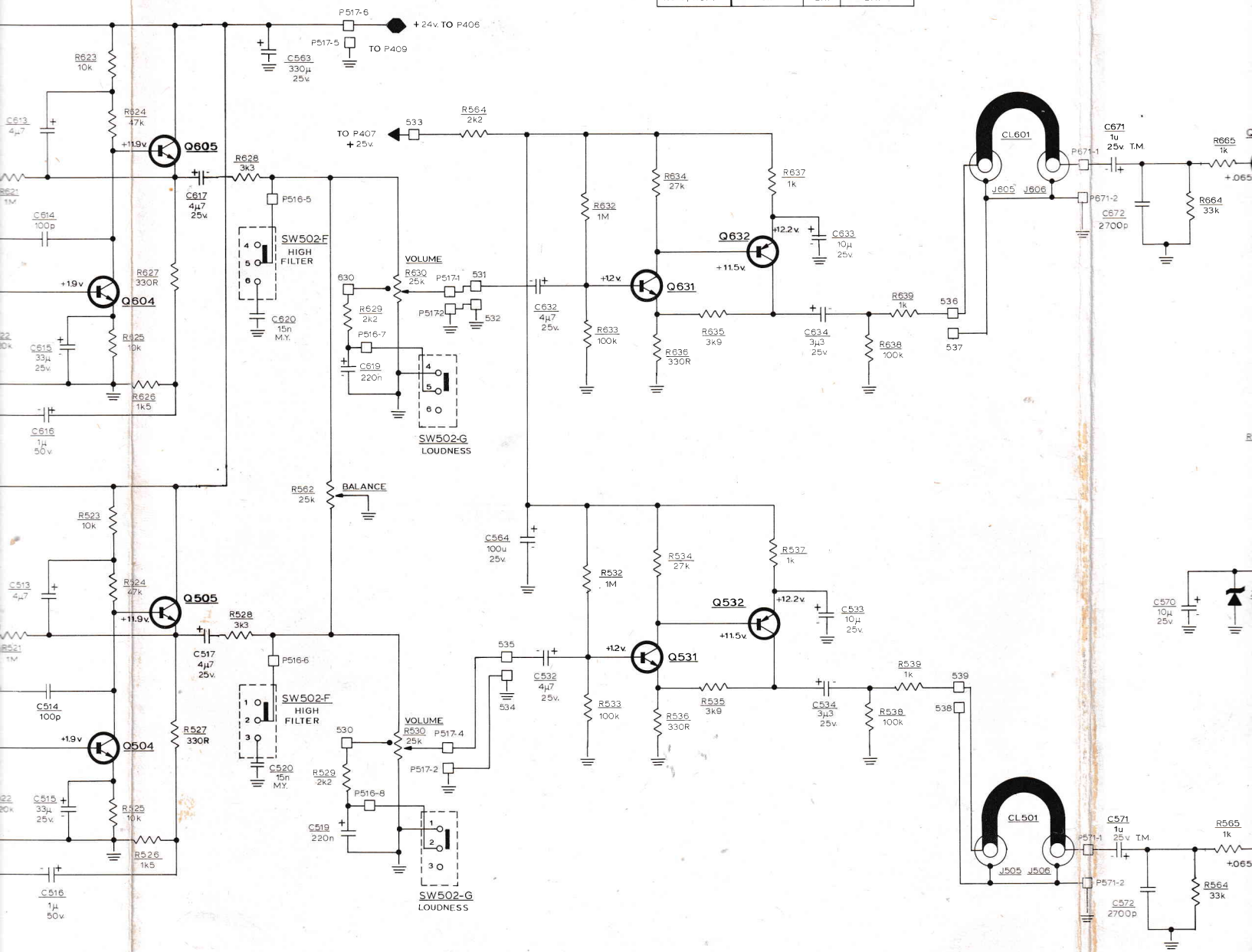
FUNCTION SWITCH INTERFACE

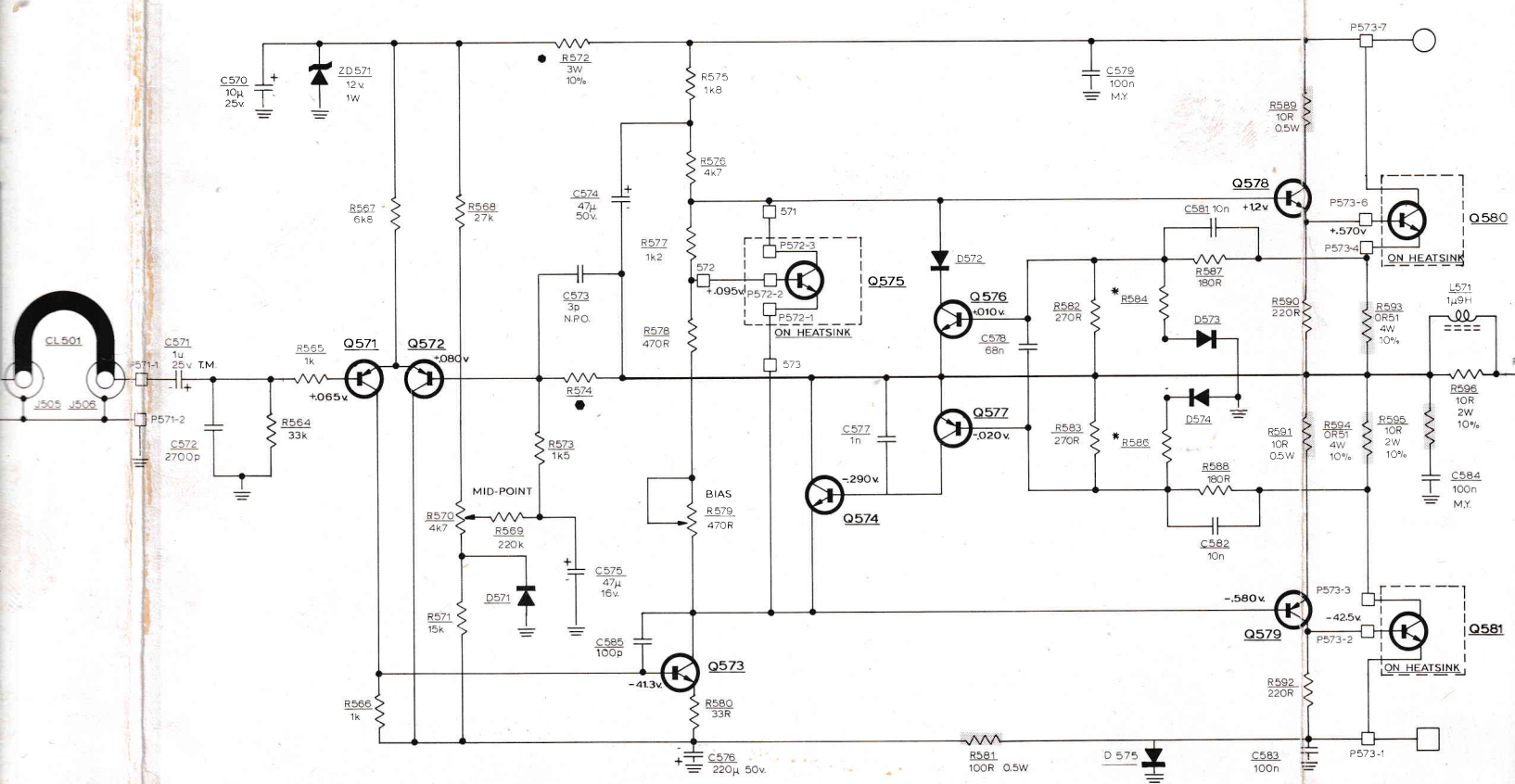
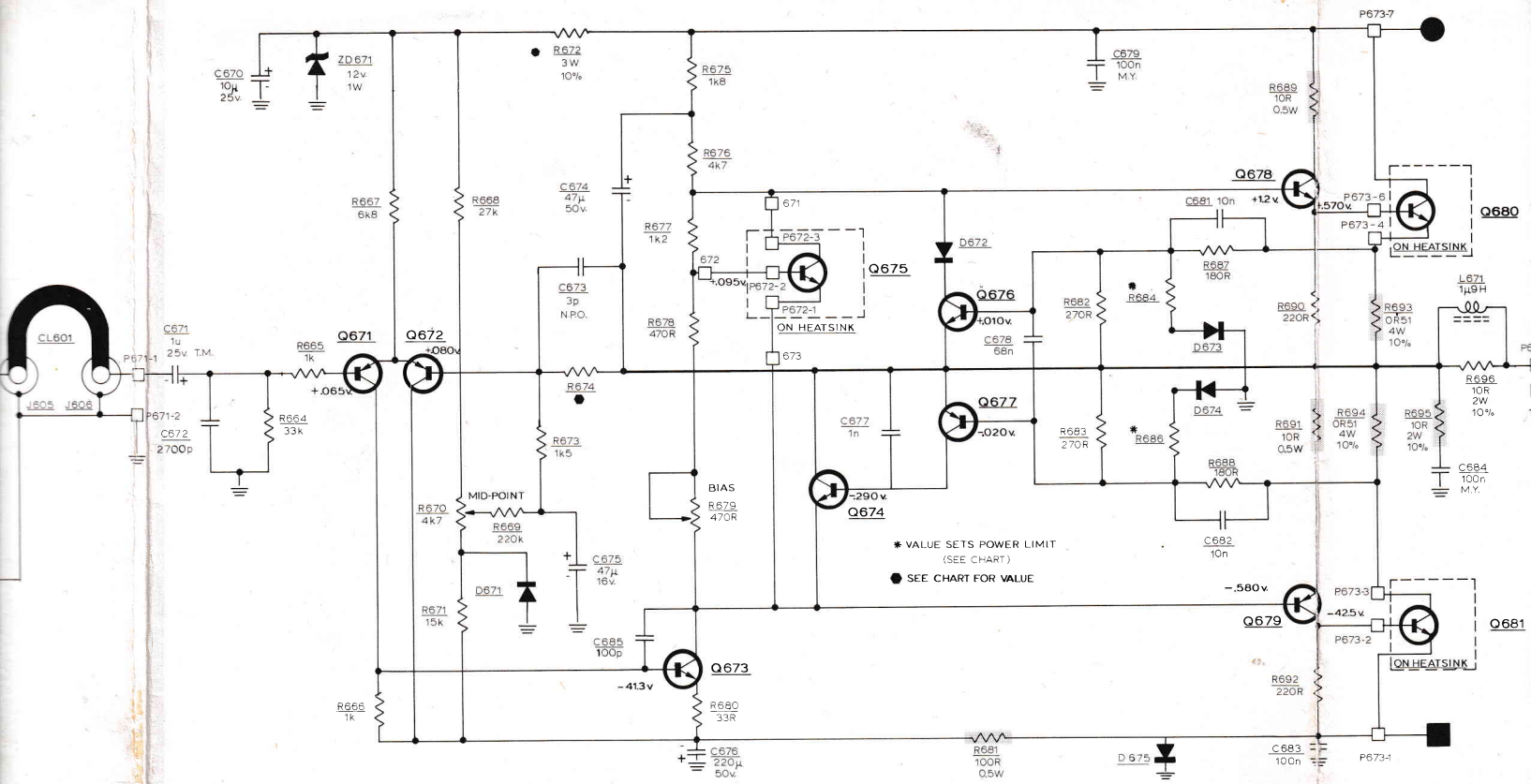


SW502 A
MONITOR



COMPONENT	AO4, AO8	AO5	AO6, AO8
R572, R672	1k2	1k	820R
R584, R684	1k8	2k2	2k4
R586, R686	1k8	2k2	2k4
R574, R674	33k	27k	27k





SCHEMATIC 00 3202 01
AO4 to AO8 Sheet 2 of 2

