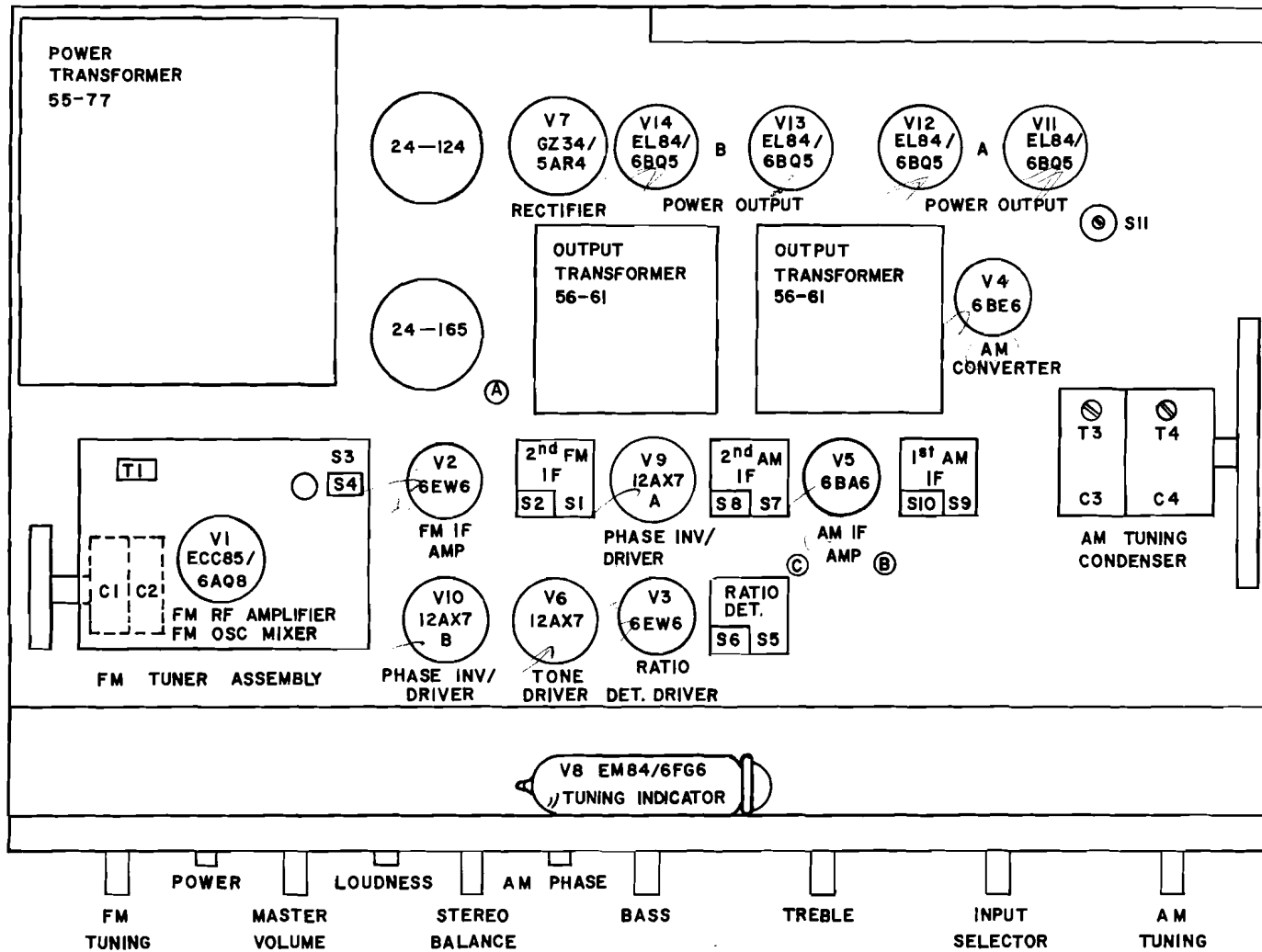


ALIGNMENT POINTS SHOWN BOXED IN,
ARE LOCATED ON UNDERSIDE OF CHASSIS.

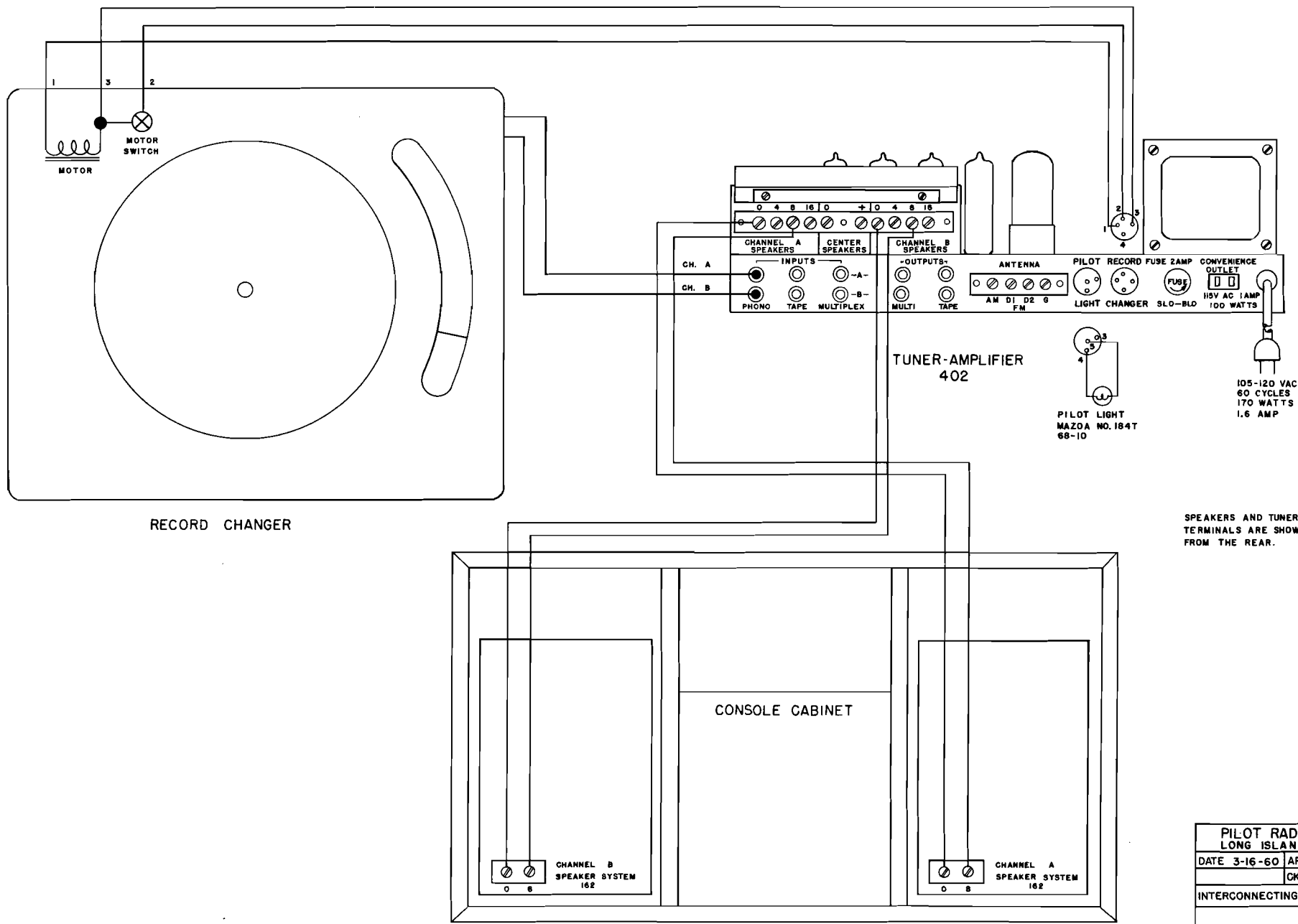


TUBE LAYOUT

ALL DIMENSIONS UNLESS OTHERWISE SPECIFIED
MUST BE HELD TO A TOLERANCE OF

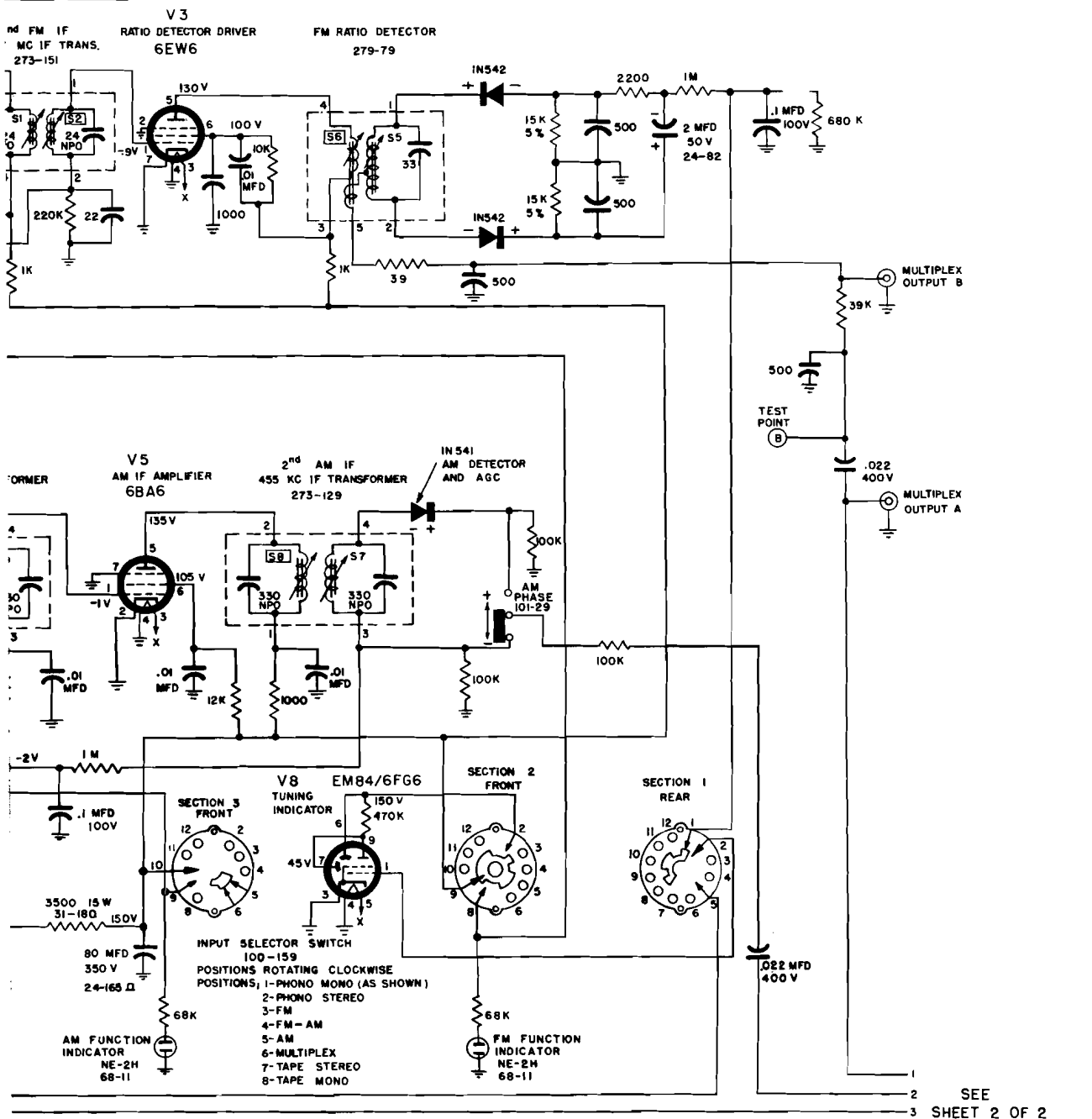
ALTERATIONS	FINISH
CLASSIFICATION	THIS PRINT SUPERSEDES ALL OTHERS PRIOR TO [REDACTED]
DO NOT SCALE THIS PRINT	

PILOT RADIO CORPORATION LONG ISLAND CITY, N. Y. U. S. A.	
MODEL 402 TUBE LAYOUT	
MATERIAL SCALE	DATE 2-15-60
DRAWN BY G.M.	NO. 95-187
CHECKED BY S.A.	
APPROVED BY [Signature]	



SPEAKERS AND TUNER-AMPLIFIER
TERMINALS ARE SHOWN AS VIEWED
FROM THE REAR.

PILOT RADIO CORPORATION LONG ISLAND CITY, N. Y., U. S. A.		
DATE 3-16-60	APP <i>LB</i>	DWN BY HBA
		CKD BY <i>S_o/A.</i>
INTERCONNECTING DIAGRAM		1402, 3402, 4402, 5402
		DWG NO. 90-187

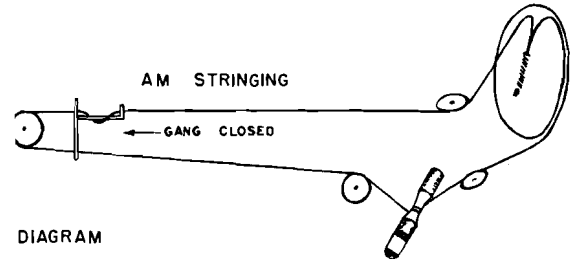


CONDITIONS FOR MEASURING VOLTAGES

- ADJUST LINE VOLTAGES TO 117 VAC.
- NO SIGNAL INPUT
- USE VTVM
- ALL VOLTAGES MEASURED WITH RESPECT TO CHASSIS GROUND
- SELECTOR SWITCH IN FM-AM POSITION

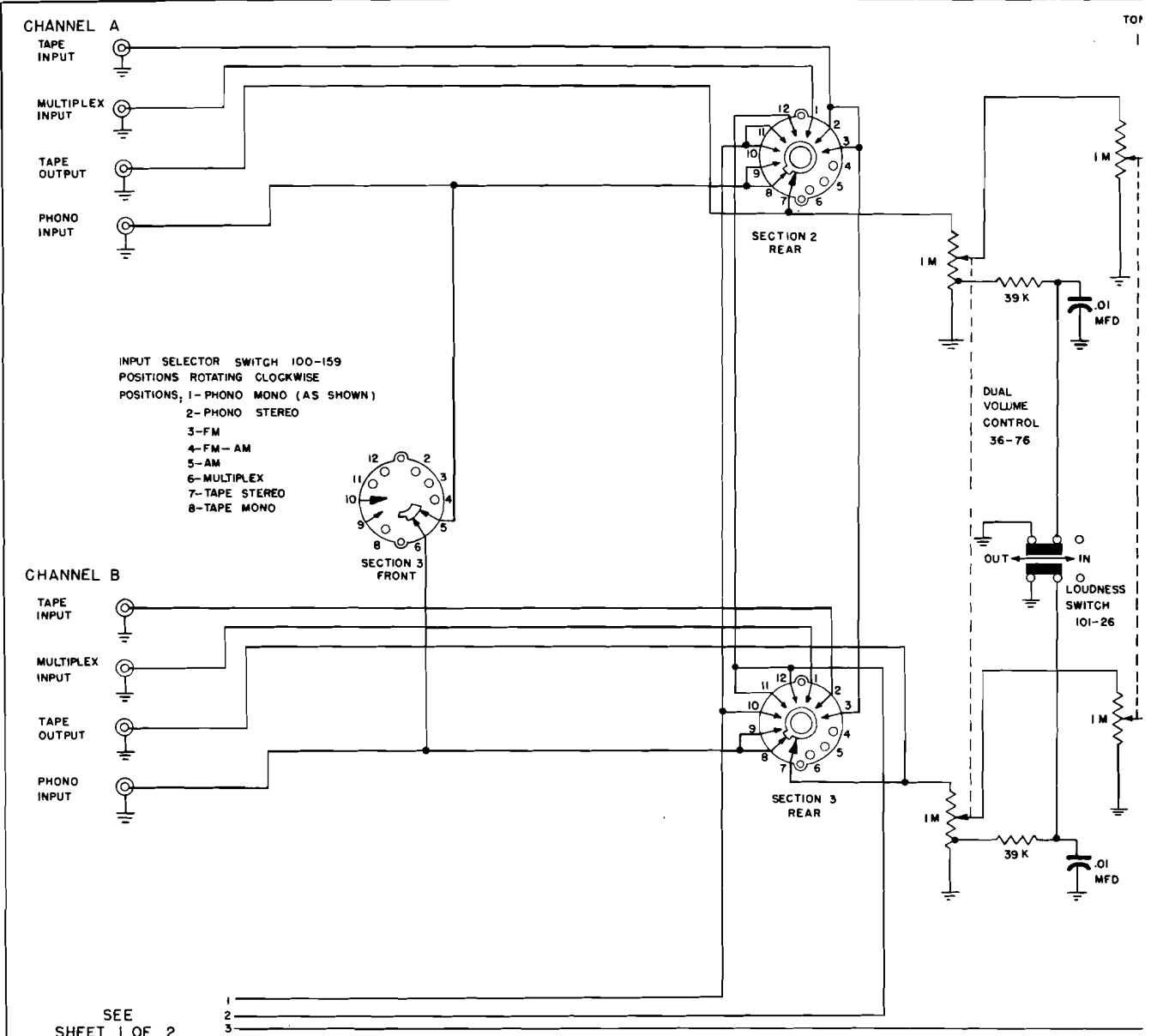
NOTES

- 1-ALL RESISTORS 1/2 WATT 10% UNLESS OTHERWISE SPECIFIED
- 2-ALL PAPER CONDENSERS ±20% RATED AT 400V UNLESS OTHERWISE SPECIFIED
- 3-ALL CERAMIC CONDENSERS ±10% RATED AT 500V AND IN MMF UNLESS OTHERWISE SPECIFIED
- 4-K EQUALS 1000 OHMS
- 5-M EQUALS MEGOHMS
- 6-ENCLOSED ALIGNMENT POINTS BENEATH CHASSIS.

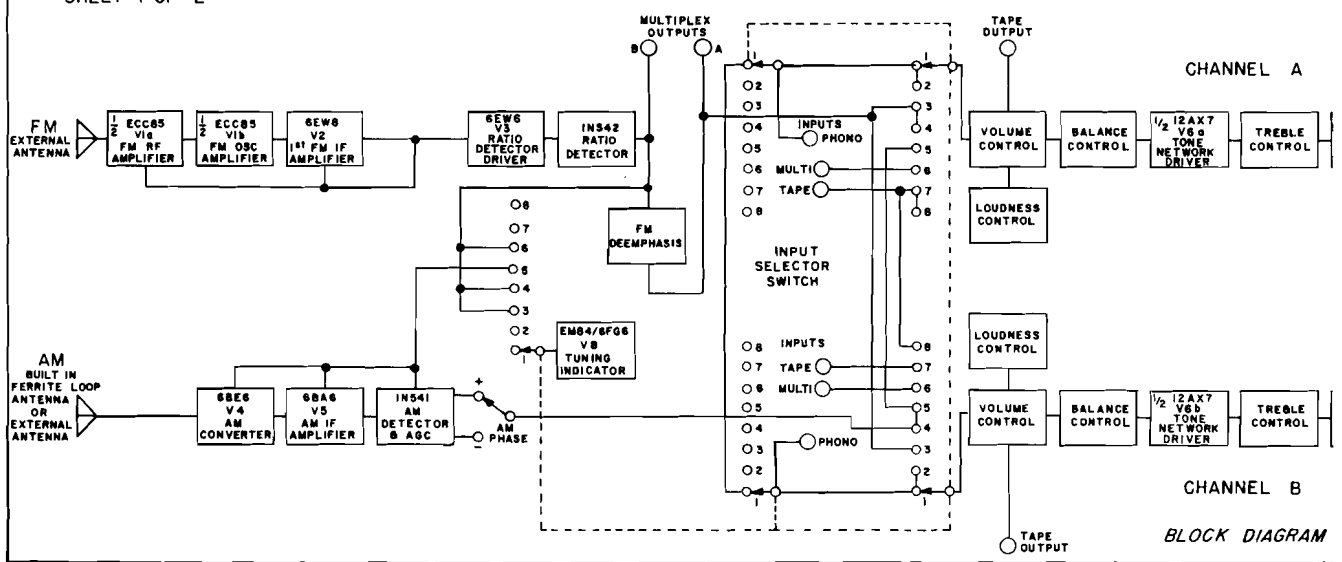


DIAGRAM

PILOT RADIO CORPORATION LONG ISLAND CITY, NEW YORK, U.S.A.		
DATE 2-12-60	APR BY SJA	DWN BY G. Mavropoulos
CKD BY Frank		
SCHEMATIC DIAGRAM MODEL 402		
DWG NO. 90-185		SHEET 1 OF 2



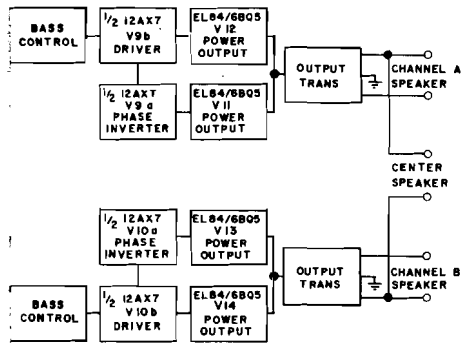
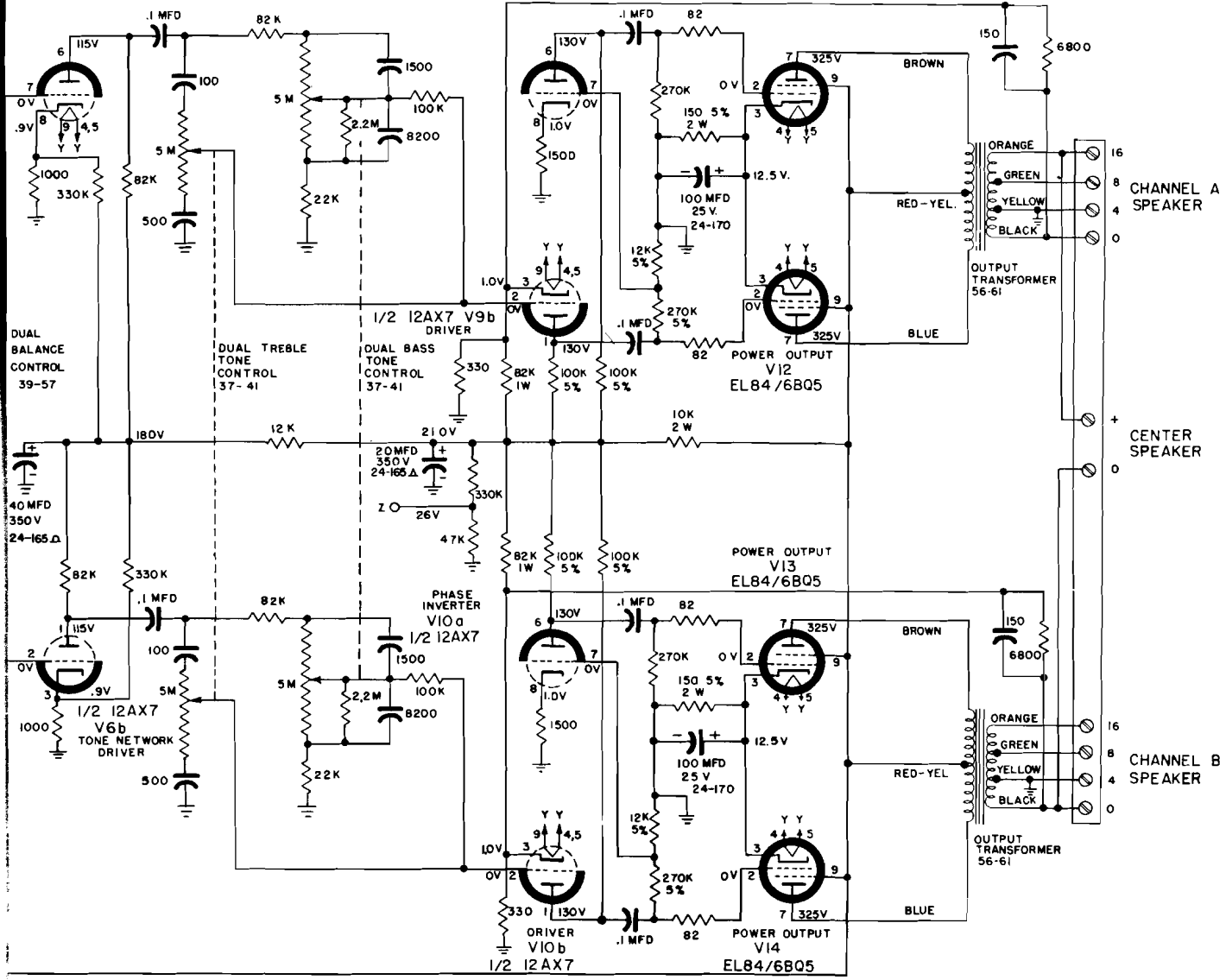
SEE SHEET 1 OF 2



THE NETWORK DRIVER
1/2 12AX7 V6a

PHASE INVERTER
1/2 12AX7 V9a

POWER OUTPUT
EL84/6BQ5 VII



CONDITIONS FOR MEASURING VOLTAGES

- ADJUST LINE VOLTAGES TO 117 VAC.
- NO SIGNAL INPUT.
- USE VTVM.
- ALL VOLTAGES MEASURED WITH RESPECT TO CHASSIS GROUND.
- SELECTOR SWITCH IN FM-AM POSITION.

NOTES

- 1-ALL RESISTORS 1/2 WATT 10% UNLESS OTHERWISE SPECIFIED.
- 2-ALL PAPER CONDENSERS ±20% RATED AT 400V UNLESS OTHERWISE SPECIFIED.
- 3-ALL CERAMIC CONDENSERS ±10% RATED AT 500V AND IN MMF UNLESS OTHERWISE SPECIFIED.
- 4-K EQUALS 1000 OHMS.
- 5-M EQUALS MEGOHMS.

PILOT RADIO CORPORATION LONG ISLAND CITY, NEW YORK, U.S.A.	
DATE 2-10-60	APP. BY <i>John Frank</i> / <i>G. Matroopoulos</i>
CKD BY <i>S. A.</i>	
SCHEMATIC DIAGRAM MODEL 402	
DWG NO. 90-185 SHEET 2 OF 2	