

DUAL 500 BLOCK DIAGRAM

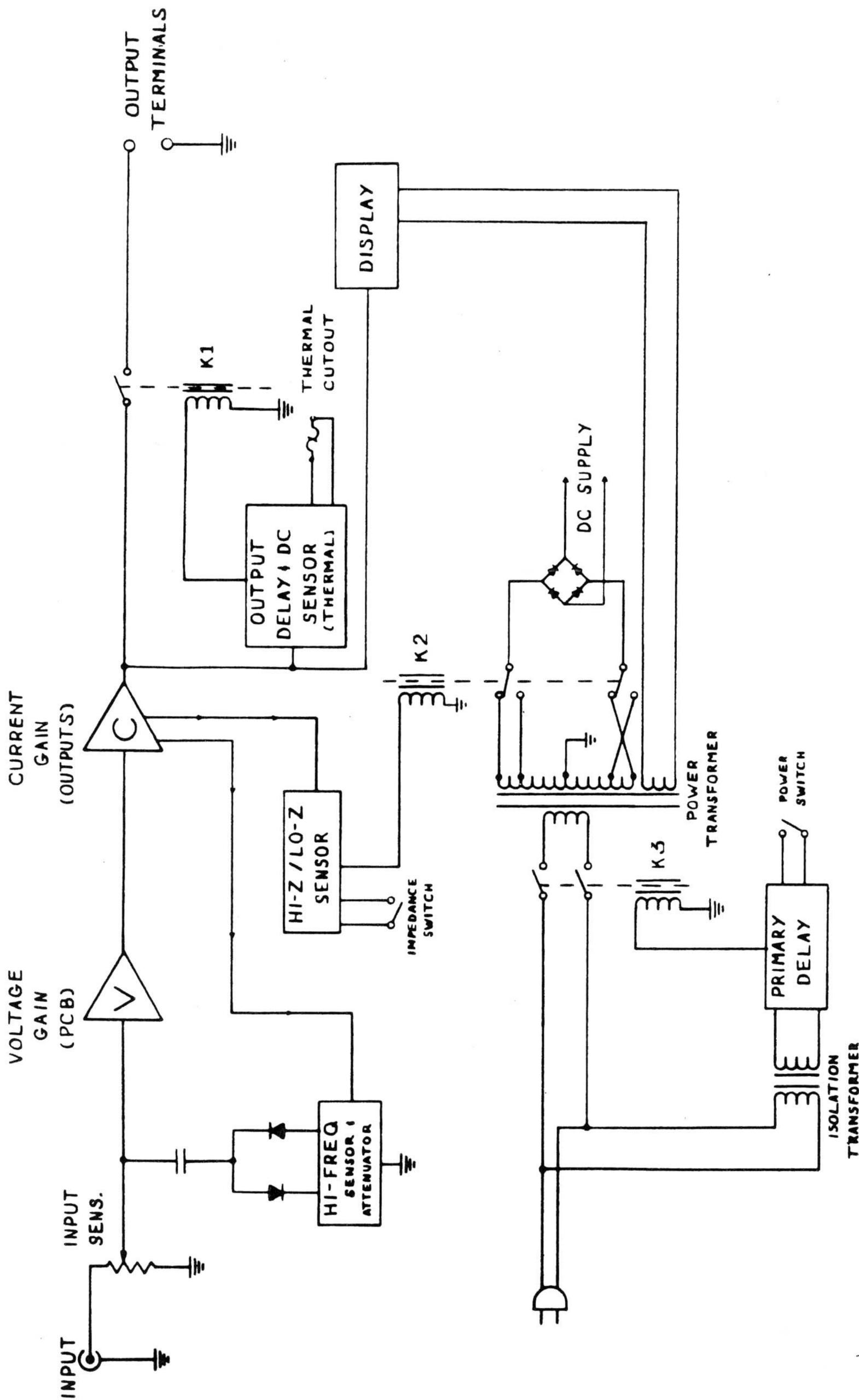


Diagram 2-7. Block diagram.

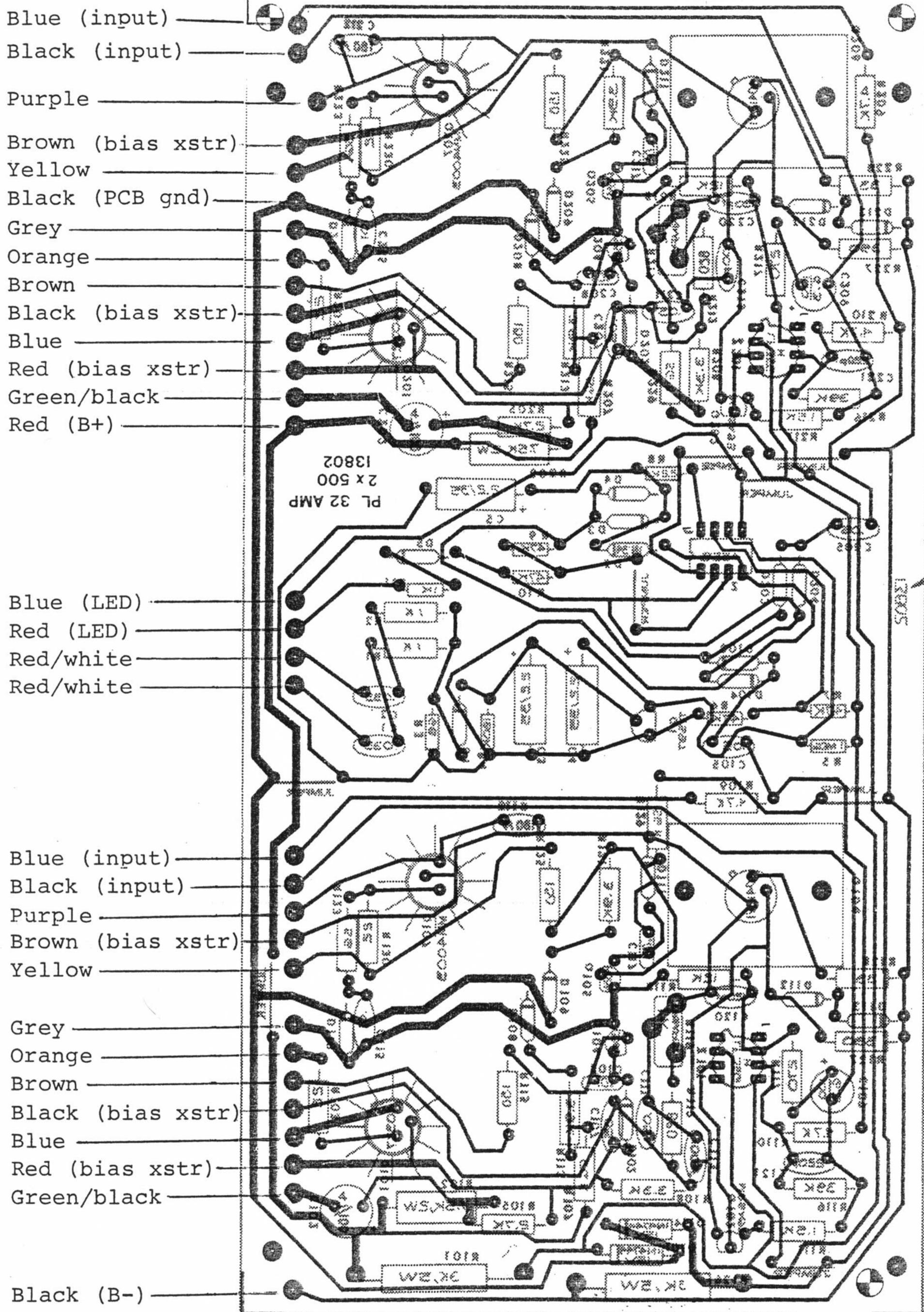
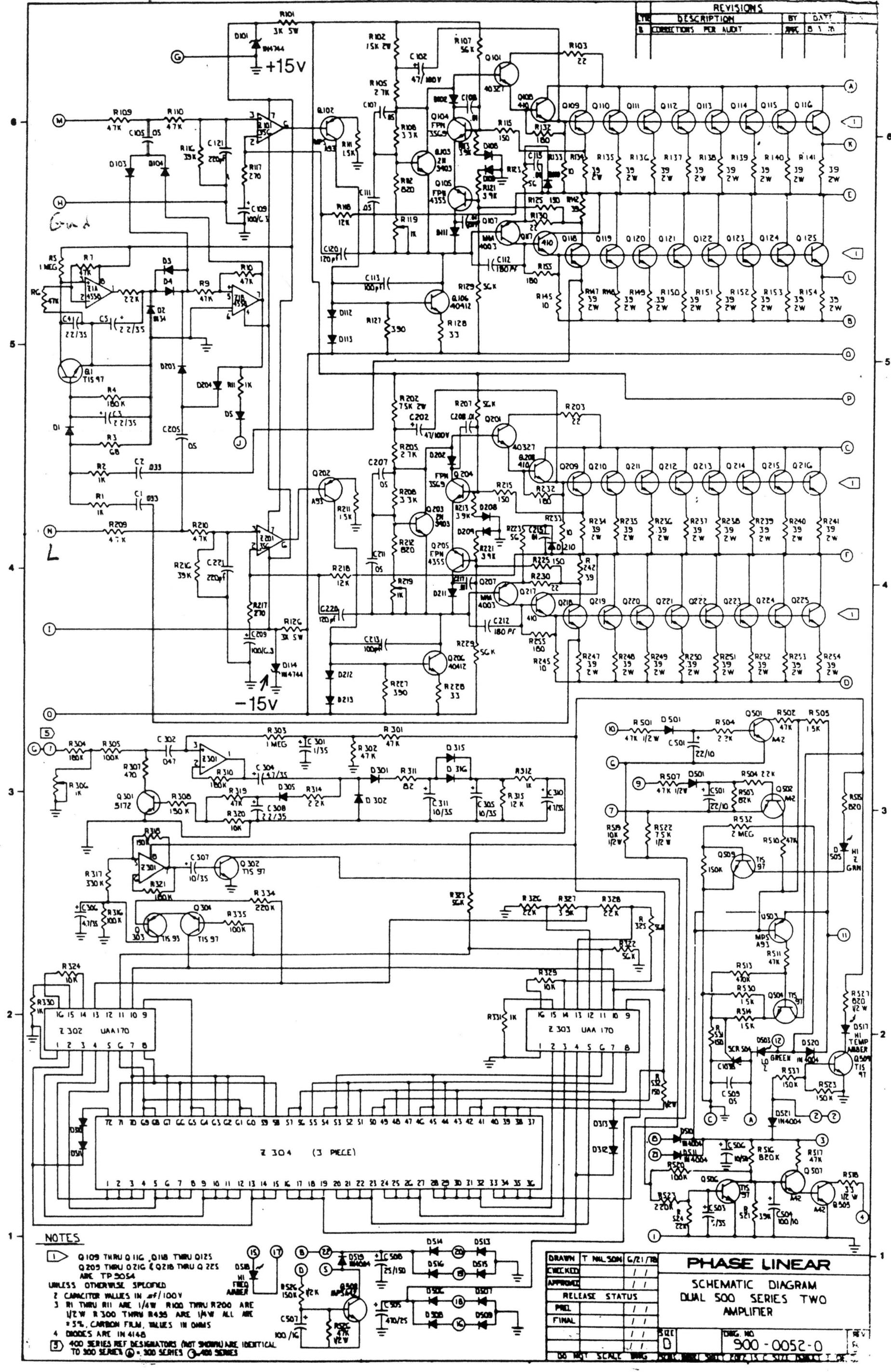


Diagram 2-3. X-ray view of PL32, from foil side.



REVISIONS			
NO.	DESCRIPTION	BY	DATE
B	CORRECTIONS PER AUDIT	APC	8 1 70

NOTES

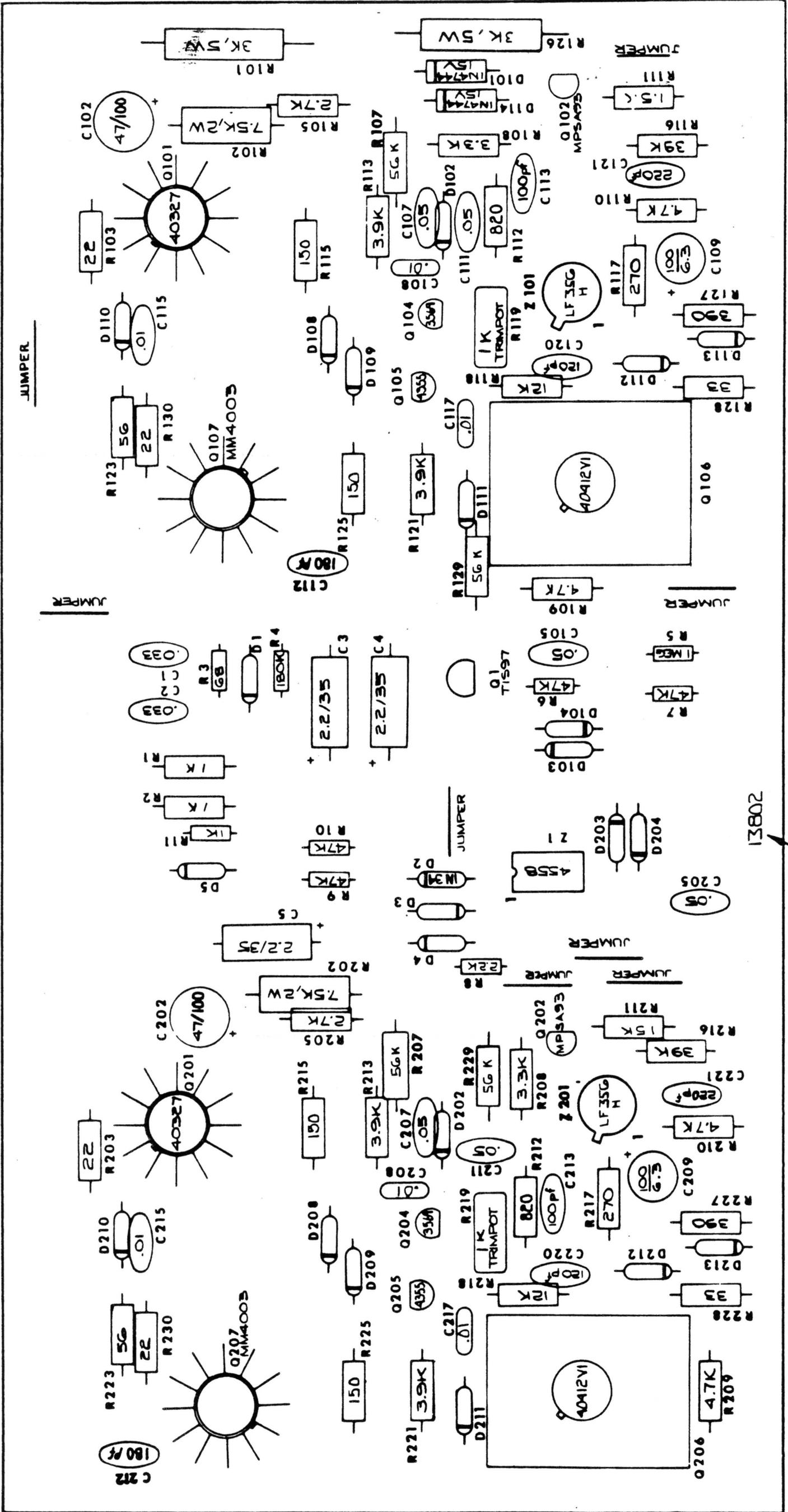
- 1 Q109 THRU Q116, Q118 THRU Q125, Q209 THRU Q216, Q218 THRU Q225 ARE TP 5054 UNLESS OTHERWISE SPECIFIED
- 2 CAPACITOR VALUES IN μ F/100V
- 3 R1 THRU R11 ARE 1/4W R100 THRU R200 ARE 1/2W R300 THRU R435 ARE 1/4W ALL ARE \pm 5% CARBON FILM, VALUES IN OHMS
- 4 DIODES ARE IN 4148
- 5 400 SERIES REF DESIGNATORS (NOT SHOWN) ARE IDENTICAL TO 500 SERIES () = 500 SERIES () = 400 SERIES

DRAWN	T. MALLISON	6/21/70
CHECKED		
APPROVED		
RELEASE STATUS		
PREL		
FINAL		
SIZE	D	
DRWG. NO.	900-0052-0	
DO NOT SCALE DIMS		

PHASE LINEAR
SCHEMATIC DIAGRAM
DUAL 500 SERIES TWO
AMPLIFIER

Diagram 2-1. Main Schematic

REVISIONS		BY	DA
LTR	DESCRIPTION	TDN	1-23
C	ADDED C112 & 212 REMOVED UNUSED PADS & LANDS	JEC	3-77B
D	ZONE B11 B4 R112 R212 WAS 680	TDN	8-38
E	CORRECTIONS PER AUDIT		



NOTES:
 1. ALL DIODES, IN4148, UNLESS SPECIFIED OTHERWISE.
 2. DATE CODE : 13802

Diagram 2-2. Layout, Main PCB PL32.

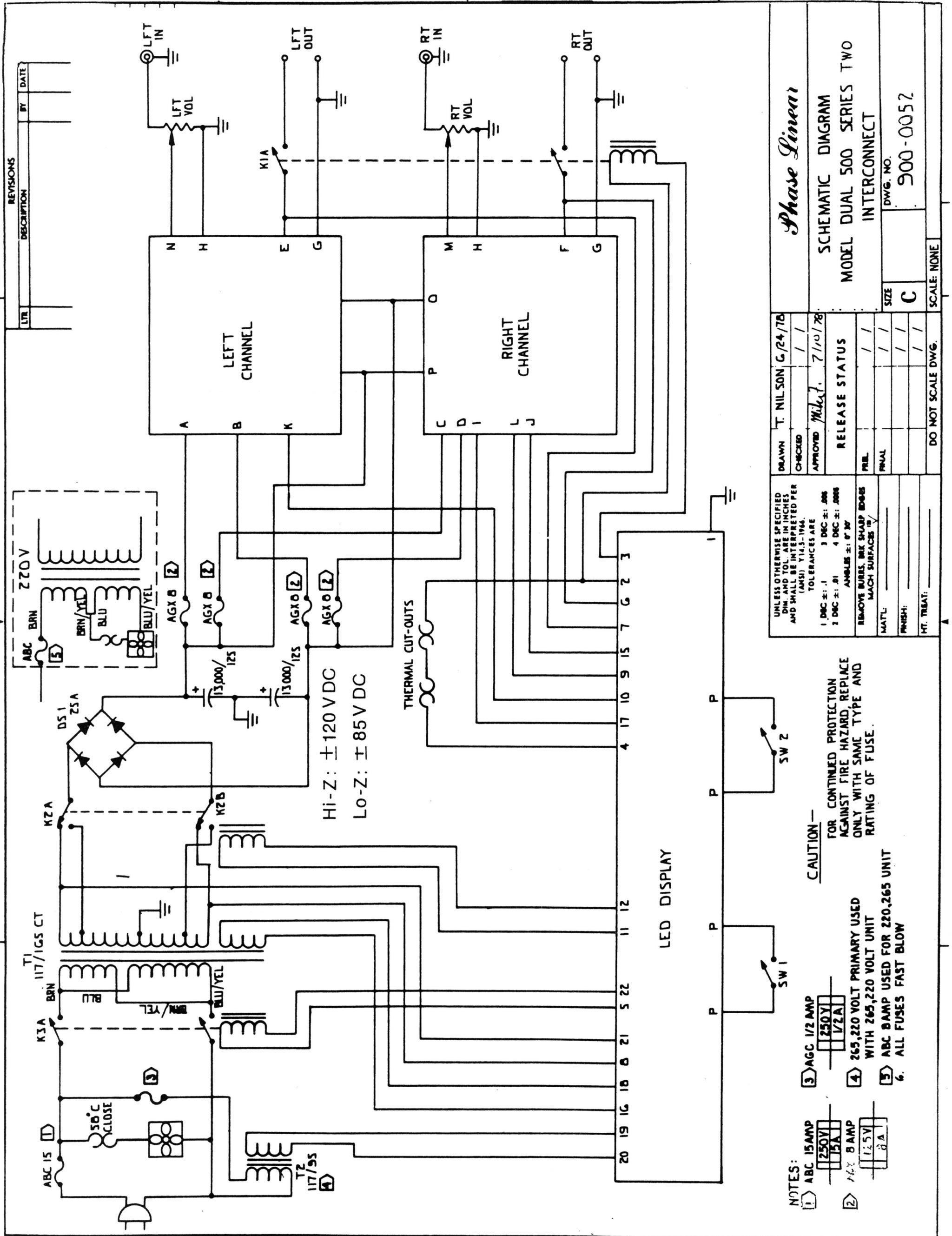


Diagram 2-6. Interconnect schematic

- NOTES:
- 1) ABC 15 AMP
 - 2) 250V 15A
 - 3) 250V 1/2A
 - 4) 265,220 VOLT PRIMARY USED WITH 265,220 VOLT UNIT
 - 5) ABC 8 AMP
 - 6) ALL FUSES FAST BLOW

- CAUTION —
- 3) AGC 1/2 AMP
 - 4) 265,220 VOLT PRIMARY USED WITH 265,220 VOLT UNIT
 - 5) ABC 8 AMP USED FOR 220,265 UNIT
 - 6. ALL FUSES FAST BLOW

FOR CONTINUED PROTECTION AGAINST FIRE HAZARD REPLACE ONLY WITH SAME TYPE AND RATING OF FUSE.

UNLESS OTHERWISE SPECIFIED DIM. AND TOL. ARE IN INCHES AND SHALL BE INTERPRETED PER (ANSI) Y14.3-1964. TOLERANCES ARE

1 DEC ± .1	3 DEC ± .008
2 DEC ± .01	4 DEC ± .0008
ANGLES ±: 1° 30'	
REMOVE BURRS, BREAK SHARP EDGES	
MATCH SURFACES 100%	
MATL:	
FINISH:	
HT. TREAT:	

DRAWN	T. NILSON	G/24/78
CHECKED		/ /
APPROVED	<i>Mik</i>	7/10/78
RELEASE STATUS		
PREL	/ /	/ /
FINAL	/ /	/ /
DO NOT SCALE DWG.		

Phase Linear

SCHEMATIC DIAGRAM

MODEL DUAL 500 SERIES TWO INTERCONNECT

SIZE	C
DWG. NO.	900-0052
SCALE: NONE	