

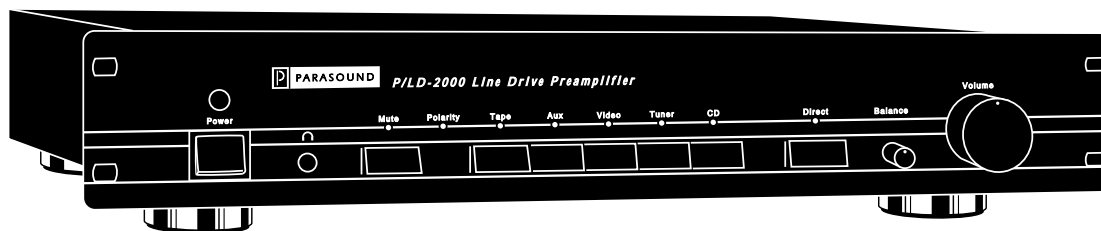


# PARASOUND

## *P/LD-2000 Balanced Line Drive Preamplifier*

Congratulations on your purchase of this precision audio component and thank you for your selection of Parasound. Your P/LD-2000 Balanced Line Drive Preamplifier has been designed with the latest technology to become the heart of the finest music systems. Premium parts and advanced design by renowned circuit designer John Curl combined with full remote control make the P/LD-2000 one of the finest preamplifier values ever offered. You have made an excellent choice.

Please take a few moments to read these instructions thoroughly so you may fully understand the sophisticated capabilities of your new preamplifier.



### **Unpacking**

Remove the remote control handset and the AC cord which are packed separately inside the carton. We recommend using only this specially selected cord for the best musical reproduction.

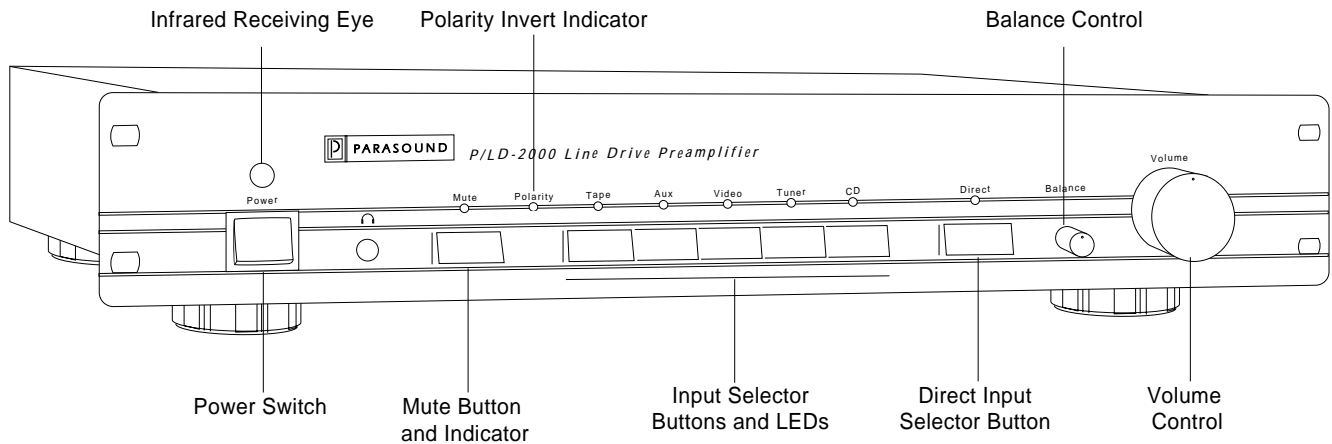
Save your carton and inserts for future safe transport in case you move or the unit requires shipping for repair. The printed carton itself is not strong enough for safe shipping, so you must place this carton into an additional outer "overcarton" before shipment.

Before you proceed, find the serial number which is located on the rear panel of the unit and note it here for future reference or in case the unit is ever stolen \_\_\_\_\_

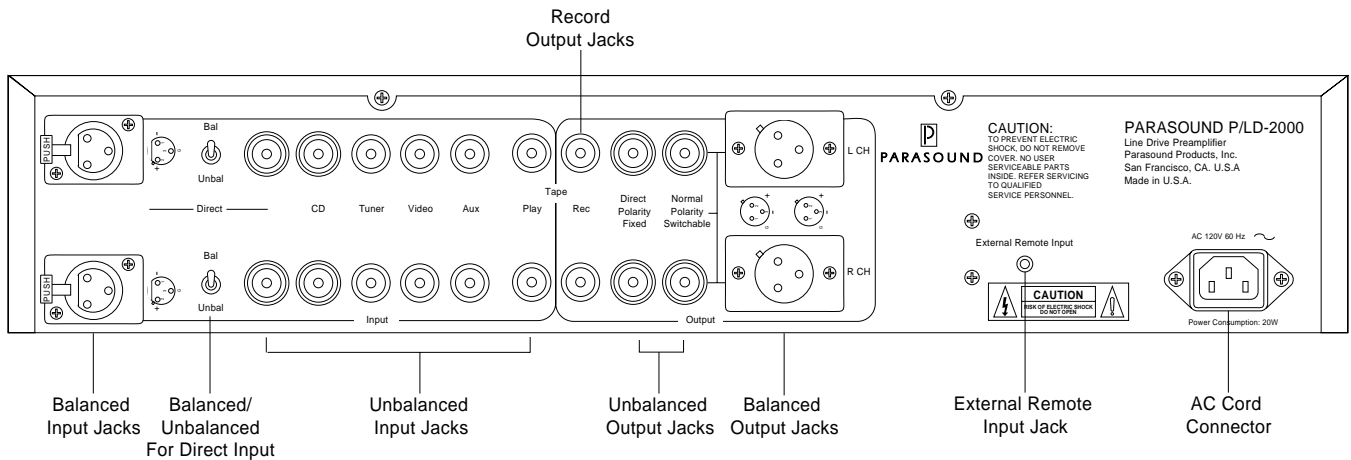
### **Placement**

Keep your Parasound P/LD-2000 shaded from direct sunlight which can interfere with its remote control sensor. It should be placed away from moisture or heat sources such as hot air registers or radiators. If you stack your components, we suggest you place your P/LD-2000 below or alongside other components which may generate heat. Proximity to some power amplifiers may contaminate low level signals with radiated hum from their transformers.

## P/LD-2000 Front and Rear Panel Controls and Connections



**Figure #1 P/LD-2000 Front Panel Controls and Connections**



**Figure #2 P/LD-2000 Rear Panel Controls and Connections**

## **Making Connections to Your P/LD-2000**

Before making any signal connections, make sure your P/LD-2000's volume control is turned fully counterclockwise or its power is turned off. Also make sure that your power amplifier is shut off. When making connections, make sure there is no strain or tension on any wires that could cause them to pull loose later on.

### **Input Connections**

#### **Unbalanced Direct Input RCA Connections**

This is the preferred input to connect any unbalanced source component for your most serious listening. The direct jacks feed a separately switched line level input with the most direct signal path to your power amplifier. Switch the input selection switches to the UNBAL position when using these input connections.

#### **Balanced XLR Input Connections**

Use this input to connect any source component with balanced outputs. In a balanced line both the + and - input signal float separate from the input ground. A balanced line provides superior hum and noise cancellation, especially in long wire runs. Many serious listeners prefer the sonic characteristics of balanced interconnects because the lower inherent noise floor contributes to a more defined and spacious soundstage. When using the balanced XLR input connections, be sure the input selection switches are in the BAL position.

#### **Normal Input Connections**

The CD, TUNER, VIDEO, AUX and TAPE inputs all have the same input sensitivity and impedance. These inputs are compatible with any typical analog line level source such as a tape deck, phono pre-preamplifier, D-A converter, DAT, MD, DCC, DSS decoder, or the audio output of a Laserdisc player or VCR.

#### **Tape Record/Playback Connections**

Connect the PLAY jacks of your P/LD-2000 to the LINE OUTPUT jacks of the analog deck and connect the REC jacks of your P/LD-2000 to the LINE INPUT jacks at the deck.

Make sure you connect inputs and outputs of the right and left channels consistently, otherwise channels will be exchanged when you replay a tape you had recorded through this system. The tape jacks of the P/LD-2000 are not switched as a monitor for simultaneous comparisons of recording to source.

### **Output Connections**

#### **Unbalanced Output Connections**

There are two pairs of unbalanced output jacks on the rear panel of your P/LD-2000. One pair is direct with fixed polarity output and the other is normal with polarity switchable by a precision relay.

#### **Balanced Output Connections**

Use the balanced output to connect your P/LD-2000 to a power amplifier with balanced inputs such as the Parasound HCA-2200II.

#### **Connecting a Signal Processor to Your P/LD-2000**

You can patch a signal processor between the output of the P/LD-2000 and your power amplifier. Make sure that the signal processor can accept the full level of the P/LD-2000 without overloading. You should also adjust the gain controls of your amplifier, processor, and the P/LD-2000 for the lowest noise level.

## Other Connections

### External Remote Control Input Jack

Your P/LD-2000 is compatible with most popular infrared repeater systems for remote control operation from another room or when it is installed in a cabinet where its handset signals cannot reach the front panel remote control sensor. The External Remote Control connector is a standard 1/8" (3.5 mm) "mini" size jack. The center conductor is for + and the outer conductor is for - . Your Authorized Parasound Dealer or Custom Installer can recommend a compatible repeater system.

### Headphone Jack

The built in premium high current, low noise headphone amplifier drives any headphones with an impedance of 8  $\Omega$  or higher. It is always live, regardless of the operation of the mute switch.

### AC Line Cord

The IEC standard AC cord supplied with your P/LD-2000 is an audiophile-grade component. Please connect it directly to an AC wall outlet that is always "live." Avoid use of an extension cord or power strip which can degrade sound quality.

## Operating your P/LD-2000

*Refer to Drawing #1*

Before turning the unit on, recheck all your connections and turn down the volume control to avoid any unpleasant "blasts" that could damage your speakers.

### On-Off Switch

Push once to turn on. Push again to turn off. The Mute LED will light up during a 3-4 second delay after turn on. After the circuits stabilize the protective muting will disengage.

### Mute Switch

This button mutes the signal at the line out jacks, while leaving the headphone jack live. It is a convenient way to listen privately without the need to switch off your power amplifier. The LED above the mute button will illuminate when the output has been muted.

### Polarity Invert Function

The remote control handset also allows you to select 180° polarity inversion for both channels. Correct absolute polarity insures that loudspeaker cone movement is consistent with the original recording. While correct polarity may not be noticeable in many multitrack recordings, you will detect an audible improvement from maintaining correct polarity in well recorded performances. Absolute polarity switching is only available from the remote handset; the front panel LED will illuminate when the polarity has been inverted.

### Volume Control

Your P/LD-2000 employs a precision Alps potentiometer for volume adjustment. The slight resistance you feel when manually turning the volume control is from the gearing of its remote control actuator motor. Adjust your power amplifier gain controls (if so equipped) to accommodate a 11 AM - 1 PM setting of your P/LD-2000 volume control knob for your most frequent listening level.

## Balance Control

Adjust relative left and right volume levels with this precision Alps 4-gang control. If clockwise rotation favors the left channel speaker as you face it, you have reversed right and left hookups between your preamp and power amplifier or between your power amplifier and speakers.

## Input Select Buttons

Press the button for the source you wish to hear. The LEDs above the select buttons indicate which input is active.

## Remote Control

The remote control handset duplicates every function of the front panel controls with the exception of the balance control. The remote control transmitter has a range of approximately 20 feet. Use only AA alkaline batteries in the handset and observe the correct polarity which is marked in the case.

Your remote control handset also includes controls for the matching Parasound T/DQ-1600 FM/AM Broadcast Reference tuner. This convenient feature allows control of both components with a single remote control.

Whenever you turn your P/LD-2000 on it will select the same source and the same volume setting you were playing before the last time you turned it off. This is dependent upon leaving your preamp plugged into an AC outlet that is always live.

Never interfere with the motorized operation of the volume control knob while it is moving by a command from the remote control handset.

## “Burning-In” Your P/LD-2000

Like many other great high end preamplifiers, your P/LD-2000 requires at least 72 hours of continuous operation after it is first turned on to sound its best. This gives various internal components and wiring a chance to “form” their optimum electron paths and pass complex musical information with greater definition, smoothness and transparency.

Although your P/LD-2000 will sound spectacular when you first turn it on, you will find it worthwhile to reserve your final judgment until you’ve listened after a more few days. You’ll discover additional musical details you may not have imagined were present.

## Maintaining Your P/LD-2000

Your P/LD-2000 requires no periodic maintenance and has no user serviceable parts inside. To avoid risk of electric shock do not remove the top cover. To keep it clean use only a soft cloth moistened only with a few drops of clear water or Windex. Never use any solvents or abrasives.

Your P/LD-2000 has corrosion-free gold RCA jacks, but each year it is a good idea to twist the input plugs to preserve perfect signal transfer by removing corrosion which might have accumulated on the connecting plugs themselves. *Make sure the unit is turned off while you do this.*

The remote control handset batteries should be removed whenever it will be unused for an extended period. Remove the battery cover annually to inspect and remove leaking batteries.

## Power Fuse

If this internal fuse blows, it is an indication of internal parts failure. Do not replace it with any larger value to avoid damage to internal parts. *Substitution of a larger fuse will void your warranty.*

## In Case of Trouble

If you suspect a problem with your unit, first recheck all your connections. If one channel is inoperative, the trouble may be caused by another component or even a defective hookup cable. If only one channel remains inoperative, try reversing the left and right cables to your power amplifier (turn it off before moving wires). If the same channel stays out, it indicates trouble could be other than your preamp itself. We suggest you contact your authorized Parasound dealer or call Parasound Technical Service if you suspect a problem. We will suggest other diagnostic tests you can easily perform and which will save you a lot of trouble.

If we determine that your P/LD-2000 should be returned to Parasound for inspection and possible servicing, you must first obtain a Return Authorization number from Parasound. You will be asked to re-pack the unit in its original carton and cardboard packing *plus* an additional outer box over its own box for proper protection in transit. You must include your power cord and remote control handset. The Return Authorization number must be clearly marked on the outer carton only. You should ship the unit by UPS with adequate insurance specified. *You must include a copy of your purchase receipt to validate your ownership and warranty status.*

Units that arrive without your specific Return Authorization number, without a suitable shipping carton or evidence of improper internal packing or collect will be refused. We do not accept collect shipments. After repair under warranty, the unit will be returned to you via prepaid UPS. If we found no problem with the unit, we will ship the unit by UPS collect for return shipping charges.

## Notes

## P/LD-2000 Specifications

### Frequency Response

5 Hz - 150 kHz, +0/-2 dB, full output

### Total Harmonic Distortion

≤ 0.003%, 1 kHz  
≤ 0.005%, 20 kHz

### IM Distortion

≤ 0.003%

### TIM

Unmeasurable

### Maximum Output

> 10 V before clipping

### Impedances

Unbalanced inputs 30 kΩ, ±5%  
Balanced inputs 30 kΩ per leg, ±5%  
Line outputs ≤ 60 Ω  
Recommended line load ⊕ 600 Ω  
Recommended headphone ⊕ 8 Ω

### Input Sensitivity

All inputs 150 mV, ±5%

### Maximum Input Level

10.5 V before clipping

### Signal-to-Noise Ratio

> 110 dB, A weighted, full output  
> 90 dB, unweighted, full output

### Crosstalk

> 110 dB, < 10 kHz, full output  
> 100 dB, 20 kHz, full output

### Channel Balance

≤ 0.2 dB

### Dimensions

19" W x 3 1/2" H (4 1/8" high with feet) x 15 3/4" D

### Power Requirements

110 V - 120 V AC, 12 W; may be rewired for 220 V - 240 V, 50 Hz

**Weight** 19 lb.

## Special Features

- Complementary MOSFETs
- All Relay Switching
- Audiophile-Grade Capacitors
- Pure Class A Discrete Circuit
- DC Servo Direct Coupled Circuit
- IEC Removable AC Cord
- Balanced Inputs and Outputs
- Gold-Plated Audiophile Jacks
- 20 Gold-Clad Precision Relays
- 92,000 uF Filter Bank
- Direct Input Function
- High Current Design
- Motorized Alps Volume Control
- 0-180° Polarity Invert Control
- Noted John Curl Design
- Gold-Clad FR4 Circuit Boards
- Dual-Mono Topology
- Silver-Plated Wiring
- Fully Remote Controlled
- Pure Silver XLR Input Wire
- Vishay Resistors in Critical Areas

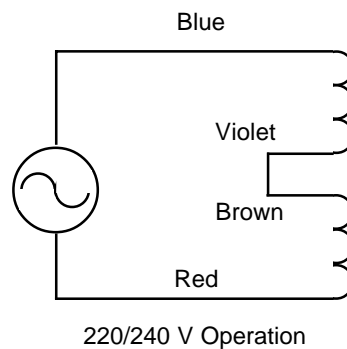
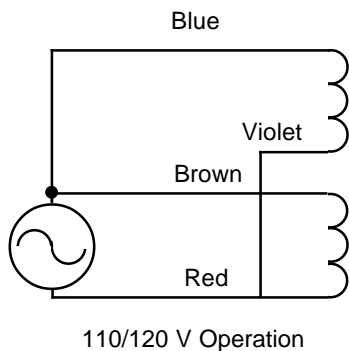
Feature and specifications subject to change or improvement without notice.

## Rewiring for 220 - 240 V 50 Hz Operation

Your P/LD-2000 may be rewired for operation abroad. This involves changing several of the power transformer wires. Please refer this conversion to a skilled electronics technician to avoid personal injury or possible harm to the unit. There are high voltages present inside the chassis even after the power is turned off and the AC plug has been disconnected.

As it is supplied for 110 V - 120 V operation, the red and violet transformer primary wires are attached together. The brown and blue primary wires are attached together. These pairs are then connected to the 120 V AC source.

To convert to 220 V - 240 V operation, disconnect the brown wire from the blue wire. Next, disconnect the violet primary wire from the red wire and connect the brown and violet wires together. Finally, connect the 220 V-240 V source to the red and blue wires.



## Parasound Limited Warranty (USA only)

Parasound Products, Inc. warrants products purchased from authorized Parasound Dealers and Custom Installers to the original owner for two years from the date of purchase. In the event of a defect in materials or workmanship, the product will be repaired promptly without charge. At Parasound's option, product may be replaced with new product of equal or superior value to the defective product according to the condition that it was received by Parasound.

The warranty excludes parts subject to normal wear such as fuses, laser pickups, or cosmetic parts.

The warranty also excludes damage resulting from abuse, shipping damages, failure to use products within specifications or instructions.

The warranty is void in the event of unauthorized repair or modification, removal or defacing of the serial number.

Dealer stock will be warranted to a maximum of 2 years from date of purchase.

In no case will Parasound accept warranty claims for any purchaser's unit after 38 months from date of original dealer's purchase from Parasound.

**For Returns:** Call, write, or fax Parasound's Technical Services Department. If it is decided that the unit should be returned for inspection at Parasound, it must be packed in its original carton as well as an additional outer carton. An RA number will be issued which must appear on the outer carton. A note stating the nature of the defect should accompany the unit. Units that arrive with evidence of mispacking (internal rattling, damaged carton) will be refused by Parasound.



PARASOUND  
*affordable audio for the critical listener*

*Parasound Products, Inc. 950 Battery Street, San Francisco, CA 94111  
415-397-7100 / FAX 415-397-0144*