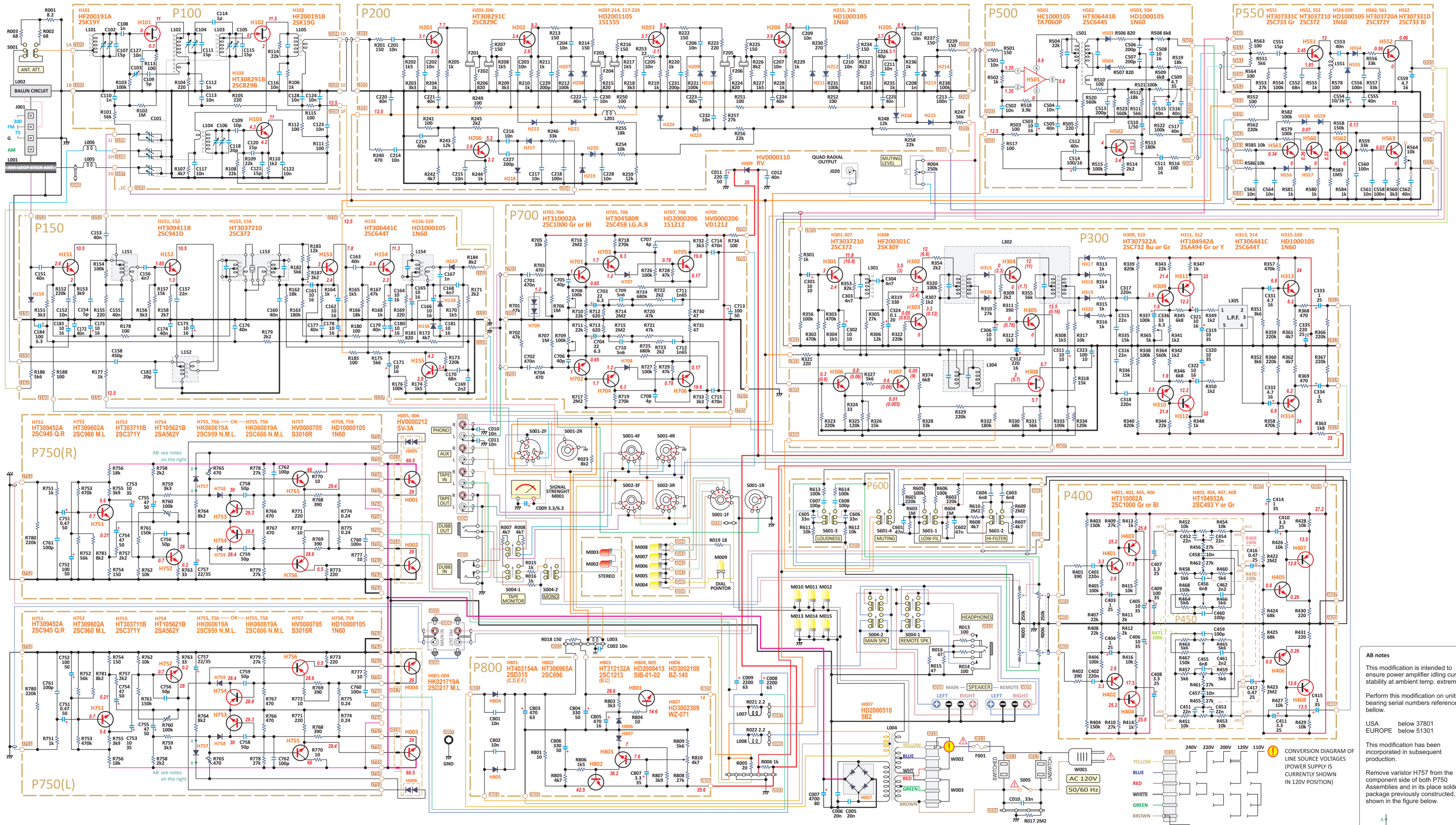


This is a custom vector drawing based on Marantz original schematic, made by my own. The size is ISO A2 (594x420 mm) but may be scaled to any size for printing and/or viewing. You may download to a local hard disk extracts and/or print this document for personal (non commercial) and educational use only. Commercial copying, hiring, lending of this document or any part of this document is prohibited. You may not distribute or commercially exploit the content. Nor may you transmit it or store it in any other website or other form of electronic retrieval system. In all cases this notice must remain intact. Copyright © 2018, by Mrki, AK member (www.audiokarma.org)

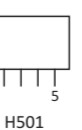


NOTE: Your use of this document is entirely at your own risk, for which I shall NOT BE LIABLE. Thus, that assumes or undertakes NO LIABILITY for any loss or damage suffered as a result of the use, misuse or reliance on the information and content on this document. All of the information provided in this document is provided "AS-IS" and with NO WARRANTIES.

NOTE: Capacitors values are in micro Farads (µF) unless otherwise specified. Resistor values are in Ohms unless otherwise specified.

TRANSISTOR CONNECTION (BOTTOM VIEW)

D DRAIN
S SOURCE
G GATE
B BASE
C COLLECTION
E EMITTER



AB notes
This modification is intended to ensure power amplifier idling current stability at ambient temp. extremes.
Perform this modification on units bearing serial numbers referenced below.
USA below 37801
EUROPE below 51301
This modification has been incorporated in subsequent production.
Remove varistor H757 from the component side of both P750 Assemblies and in its place solder the package previously constructed, as shown in the figure below.
Res. 18 Ohm / 0.5W
Thermistor 150 Ohm @ 25°C
S001-1-4
ALL SWITCHES VIEWED FROM FRONT AND SHOWN IN EXTREME COUNTER CLOCKWISE POSITION (AM)
Detail information may be found in Marantz Service Bulletin No. M-2230-2