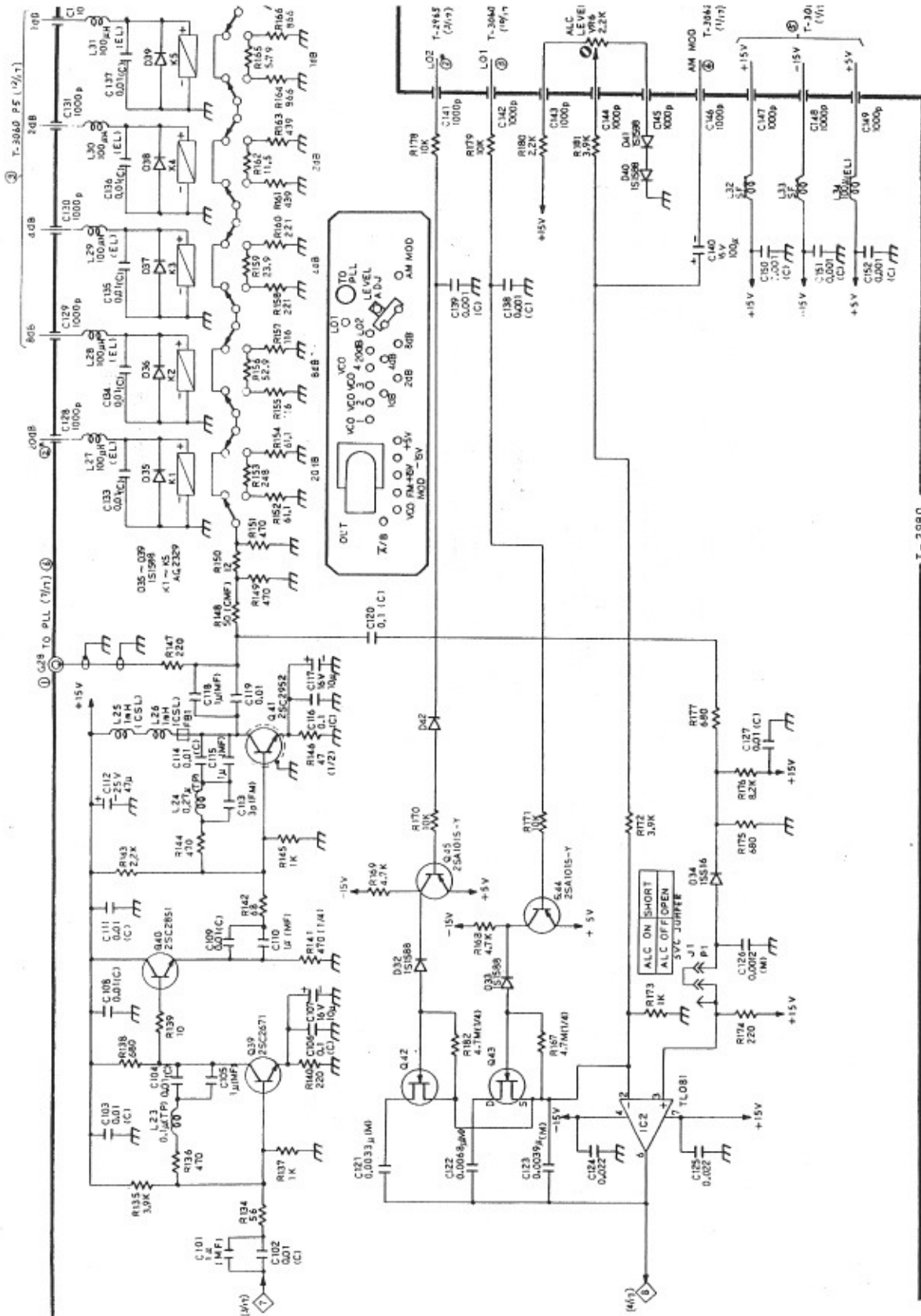
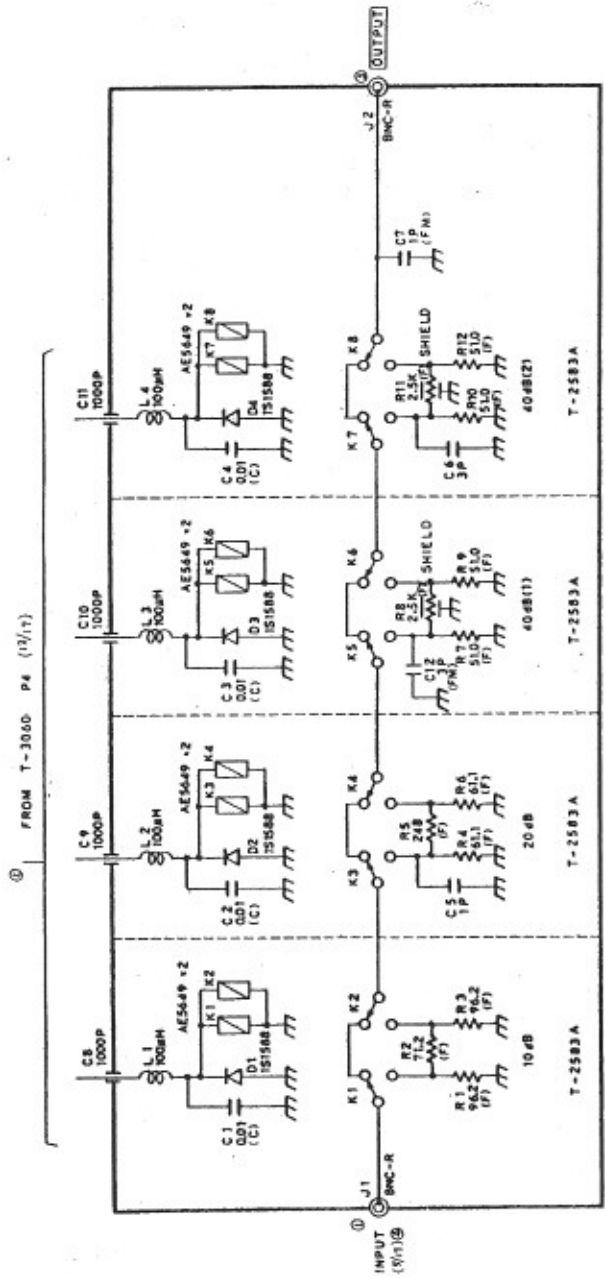


RF unit - 2/3

(4/17)

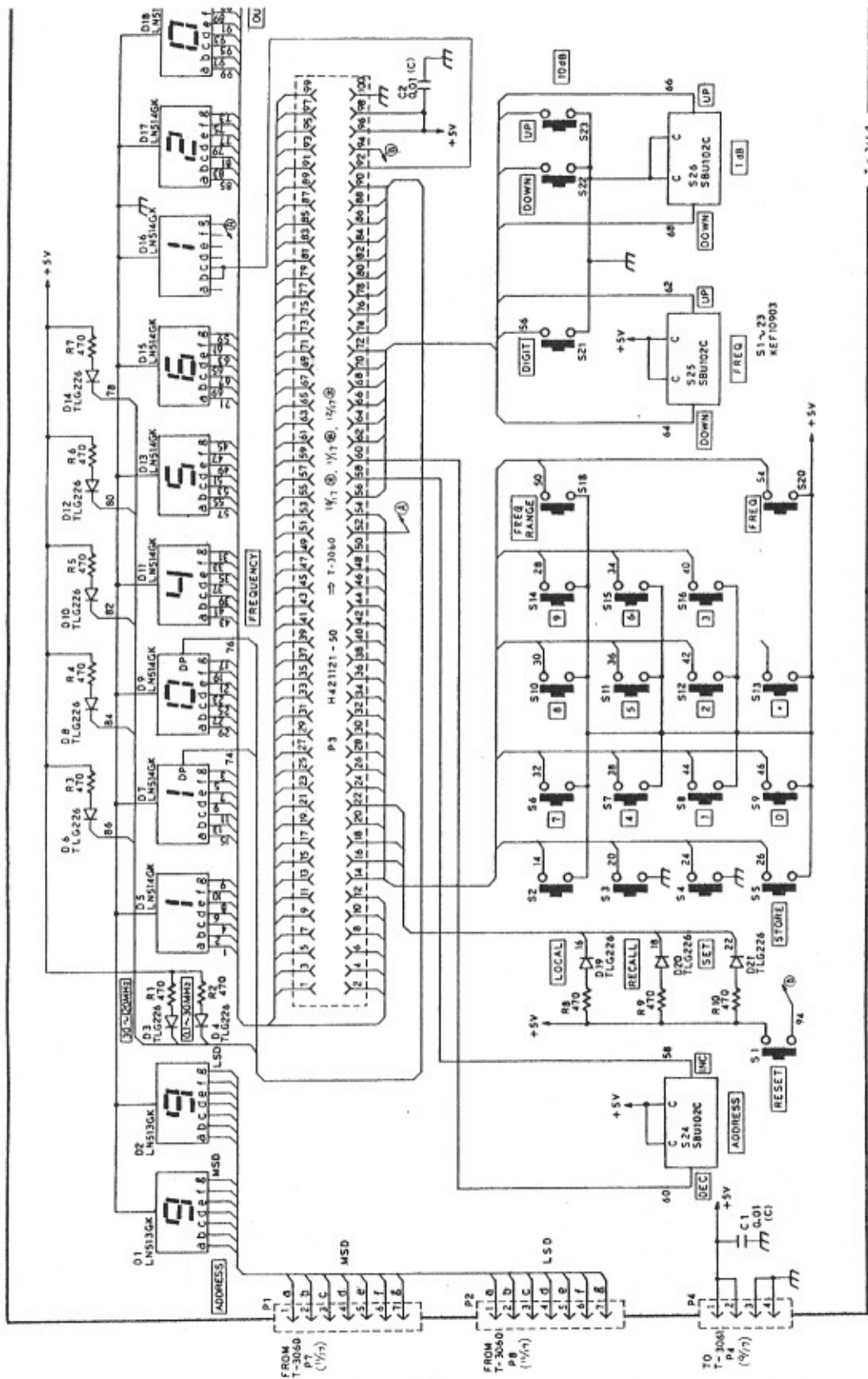


-29-
LSG-215A

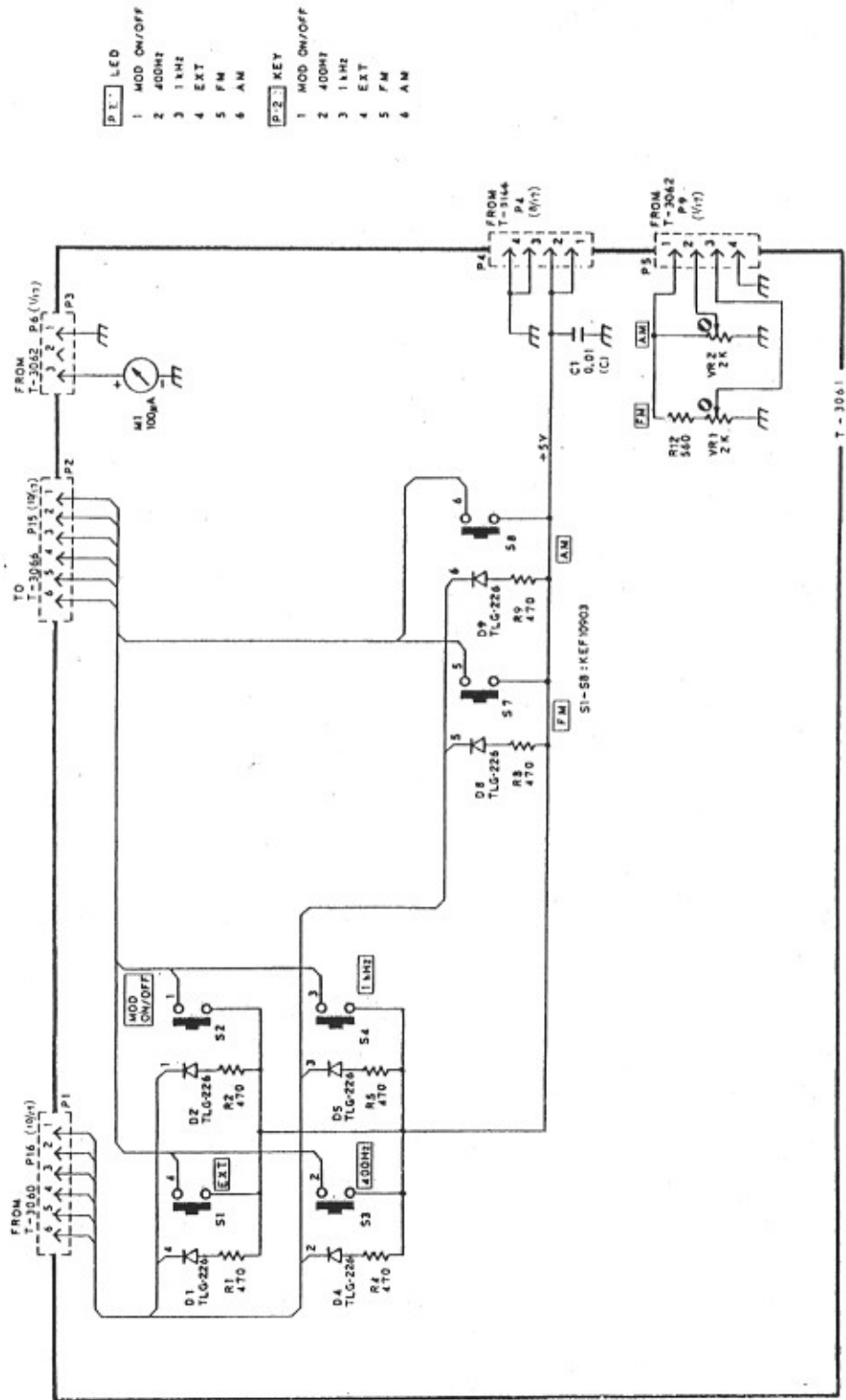


(6/17)

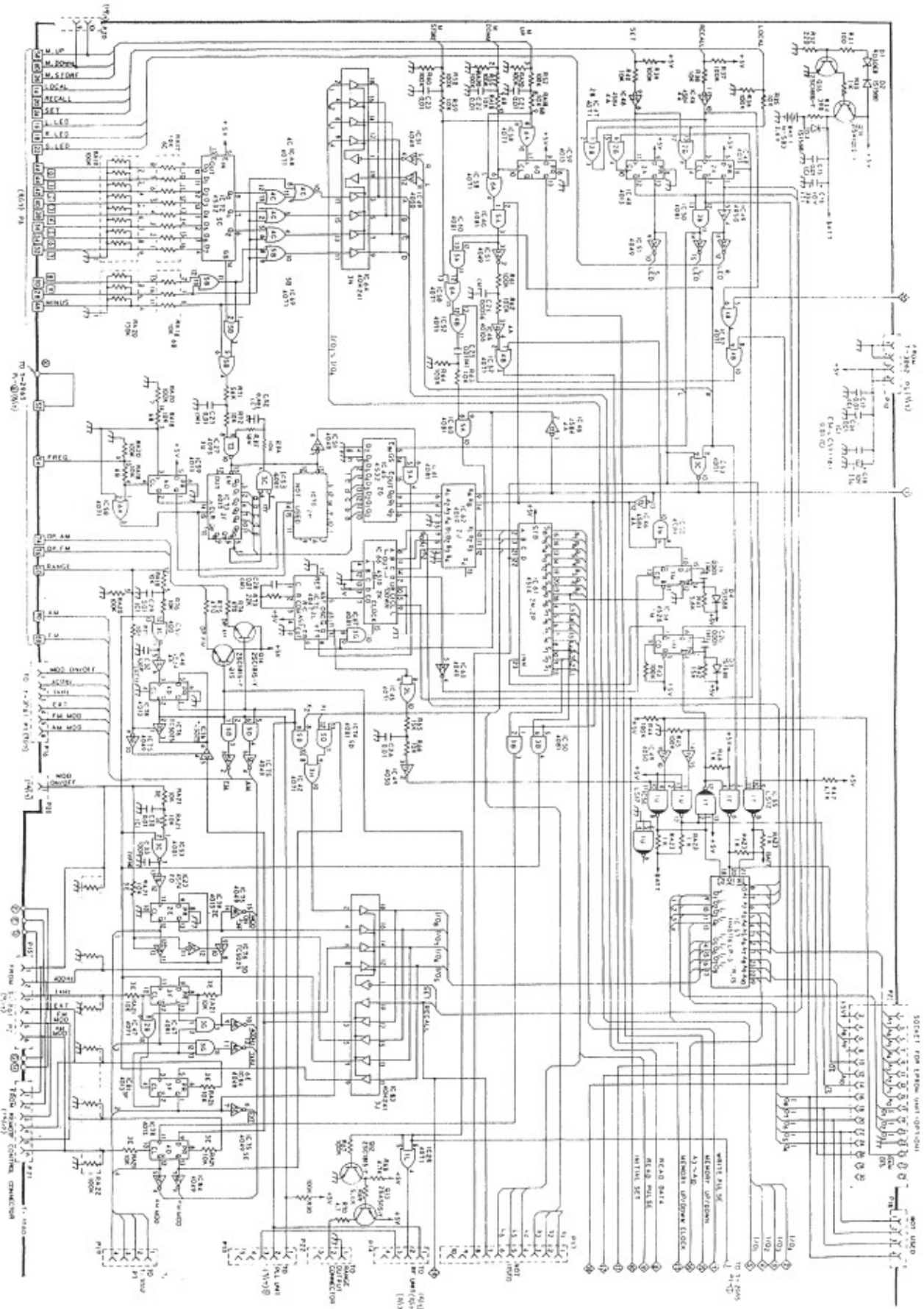
10dB step attenuator



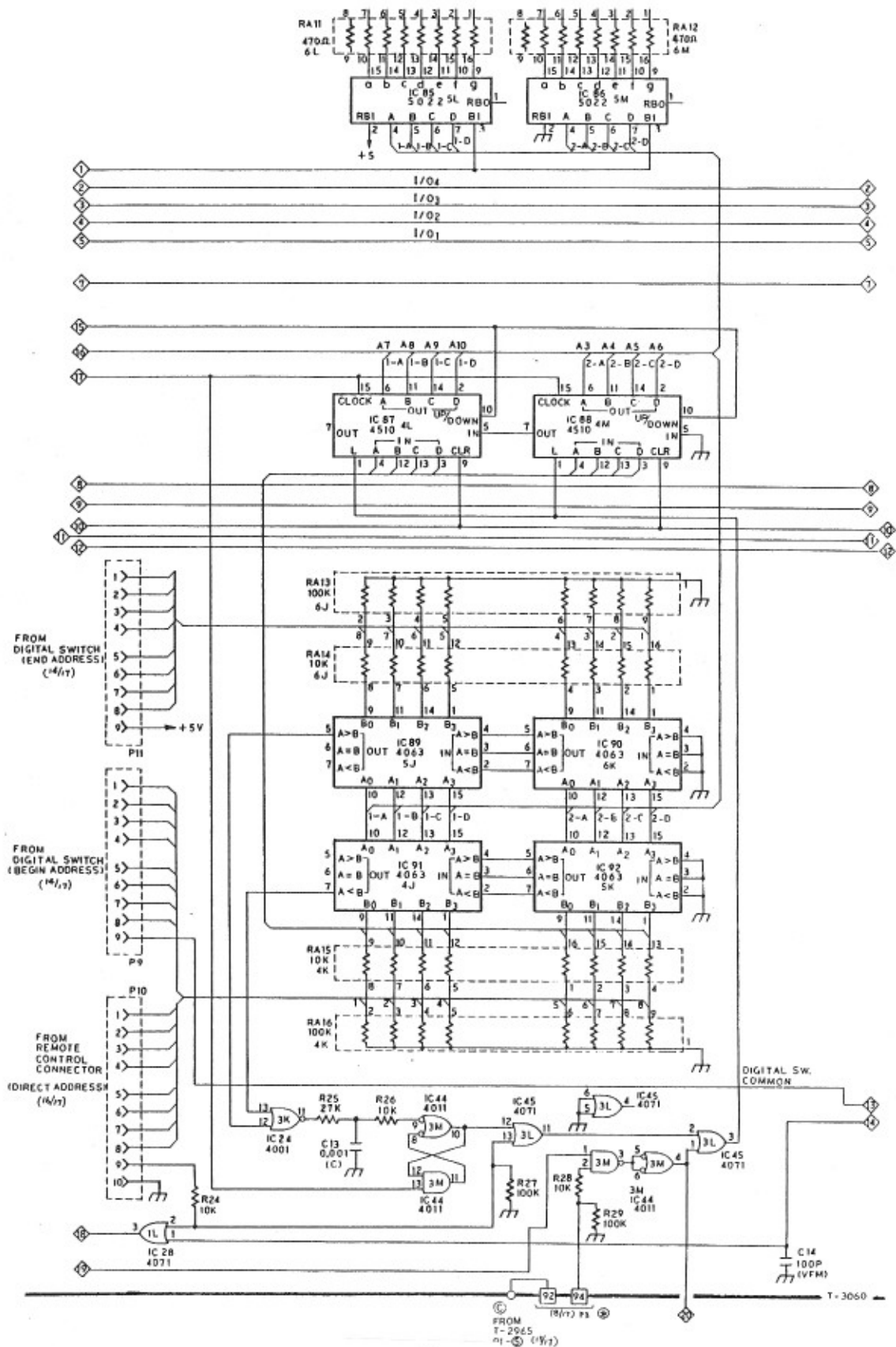
LED display



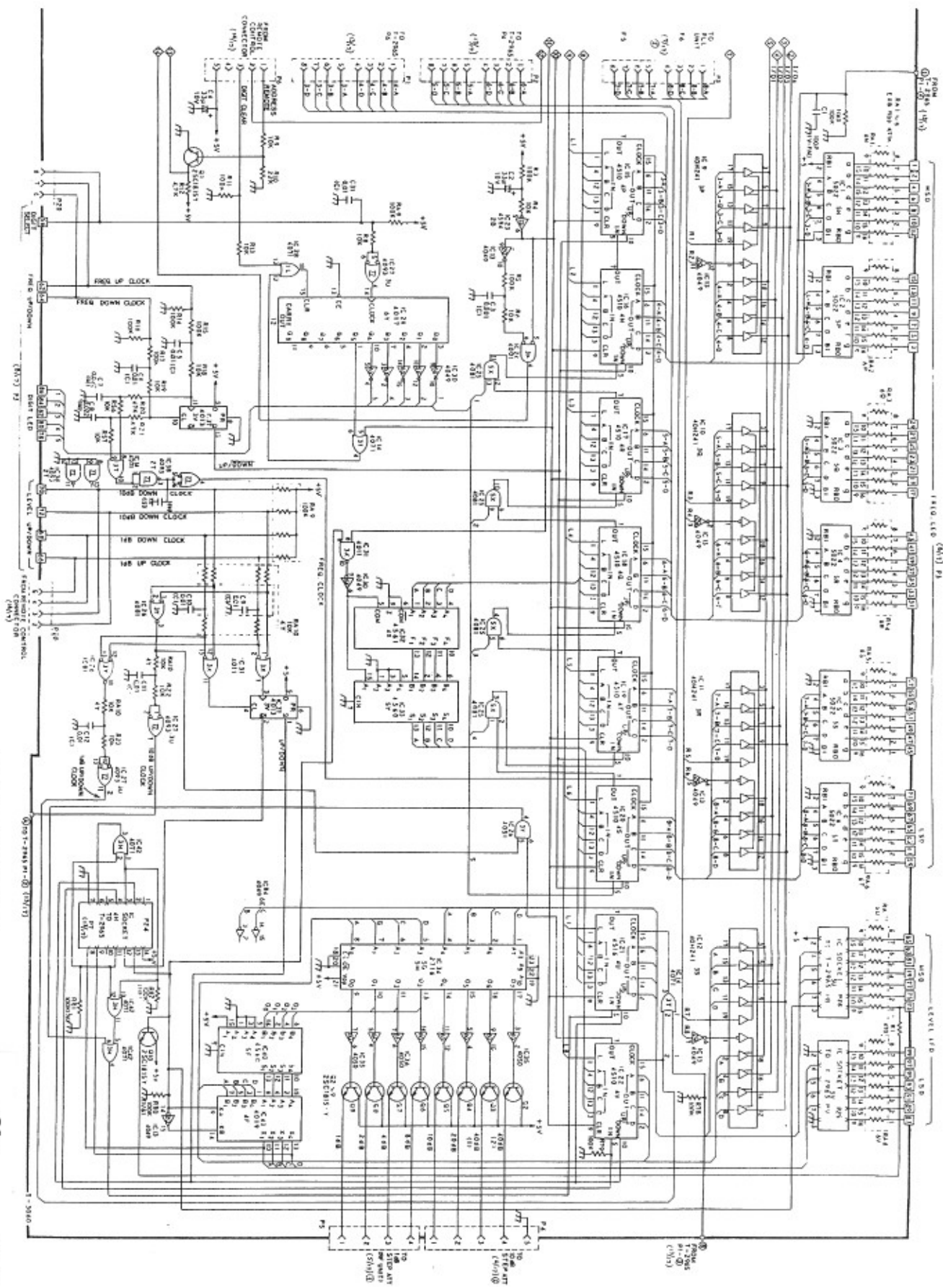
- P.1. LED**
- 1 MOD ON/OFF
 - 2 400HZ
 - 3 1.1HZ
 - 4 EXT
 - 5 FM
 - 6 AM
- P.2. KEY**
- 1 MOD ON/OFF
 - 2 400HZ
 - 3 1.1HZ
 - 4 EXT
 - 5 FM
 - 6 AM



Control circuit - 1/4

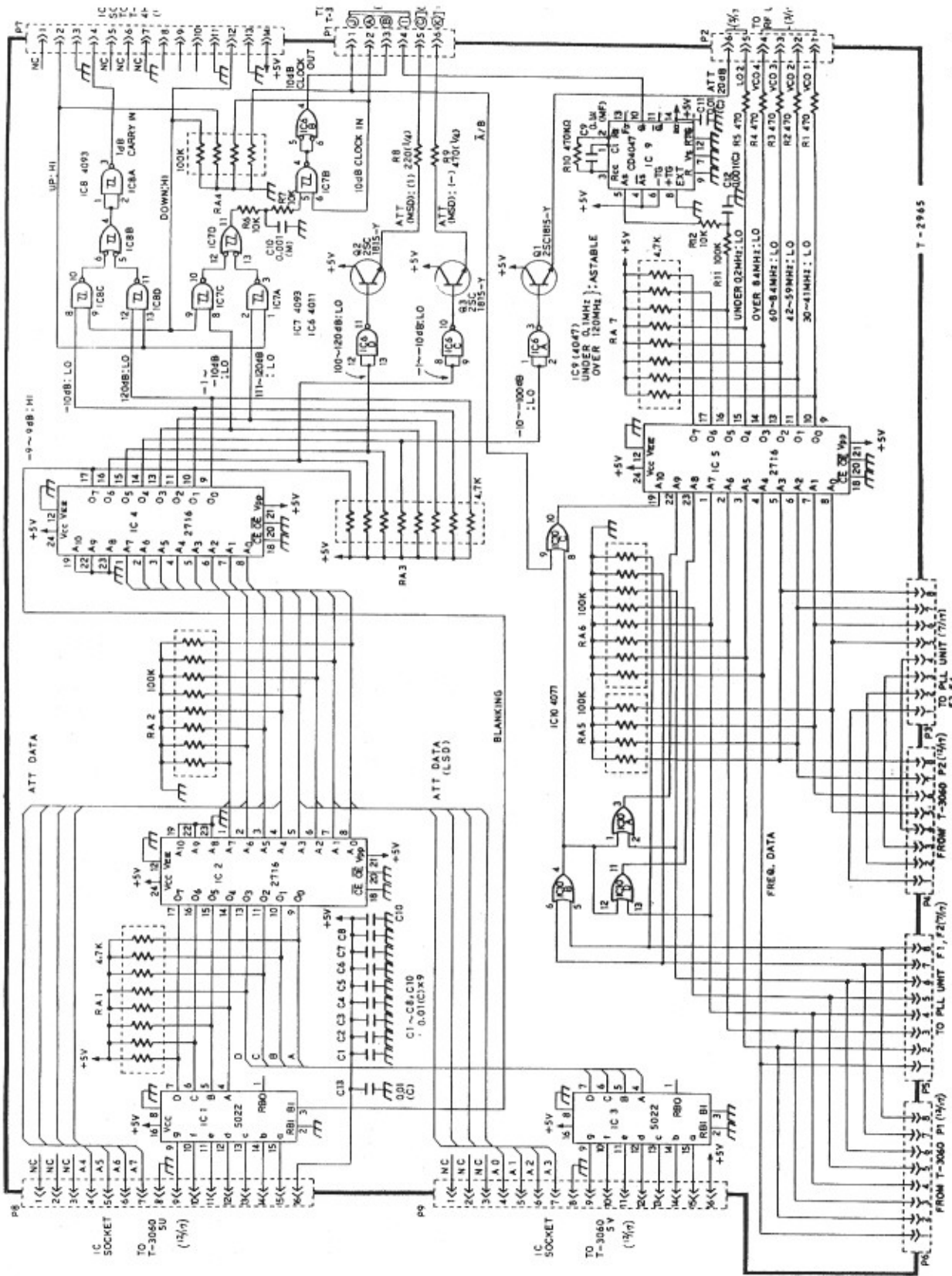


Control circuit - 2/4

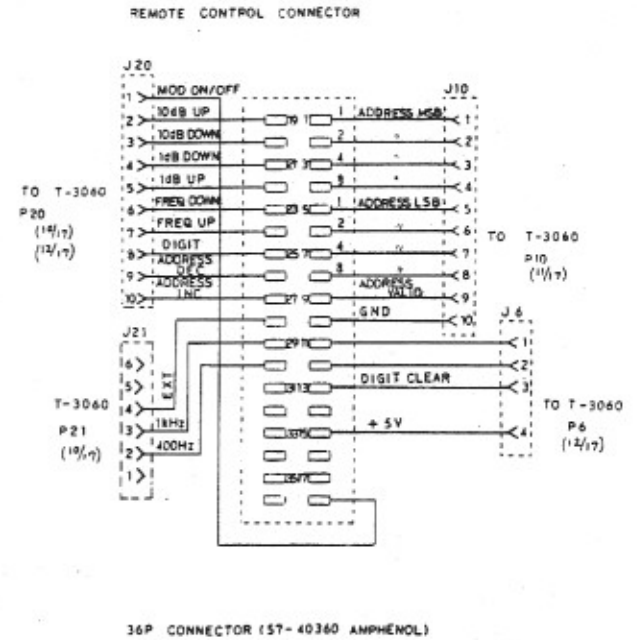
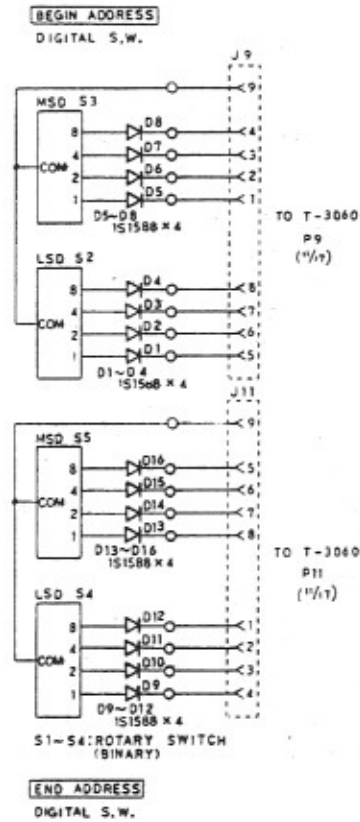
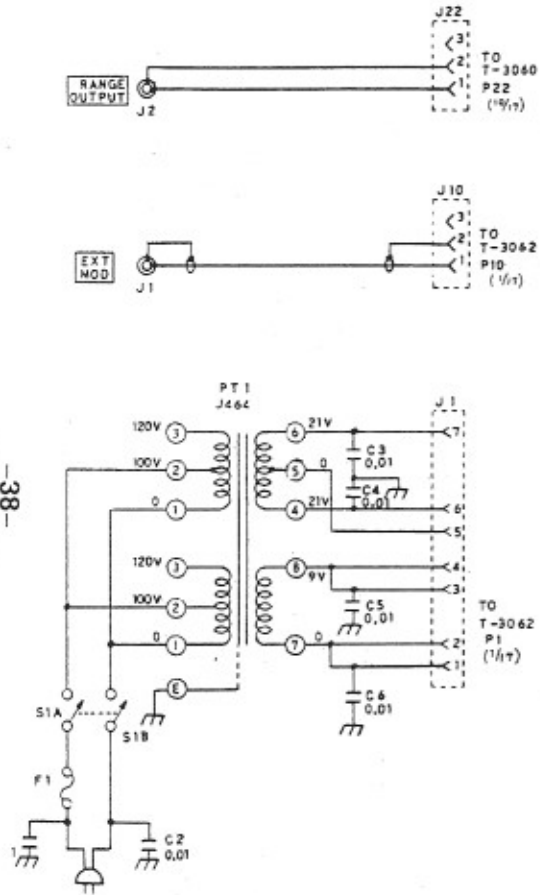


Control circuit - 3/4

-36-
LSG-215A

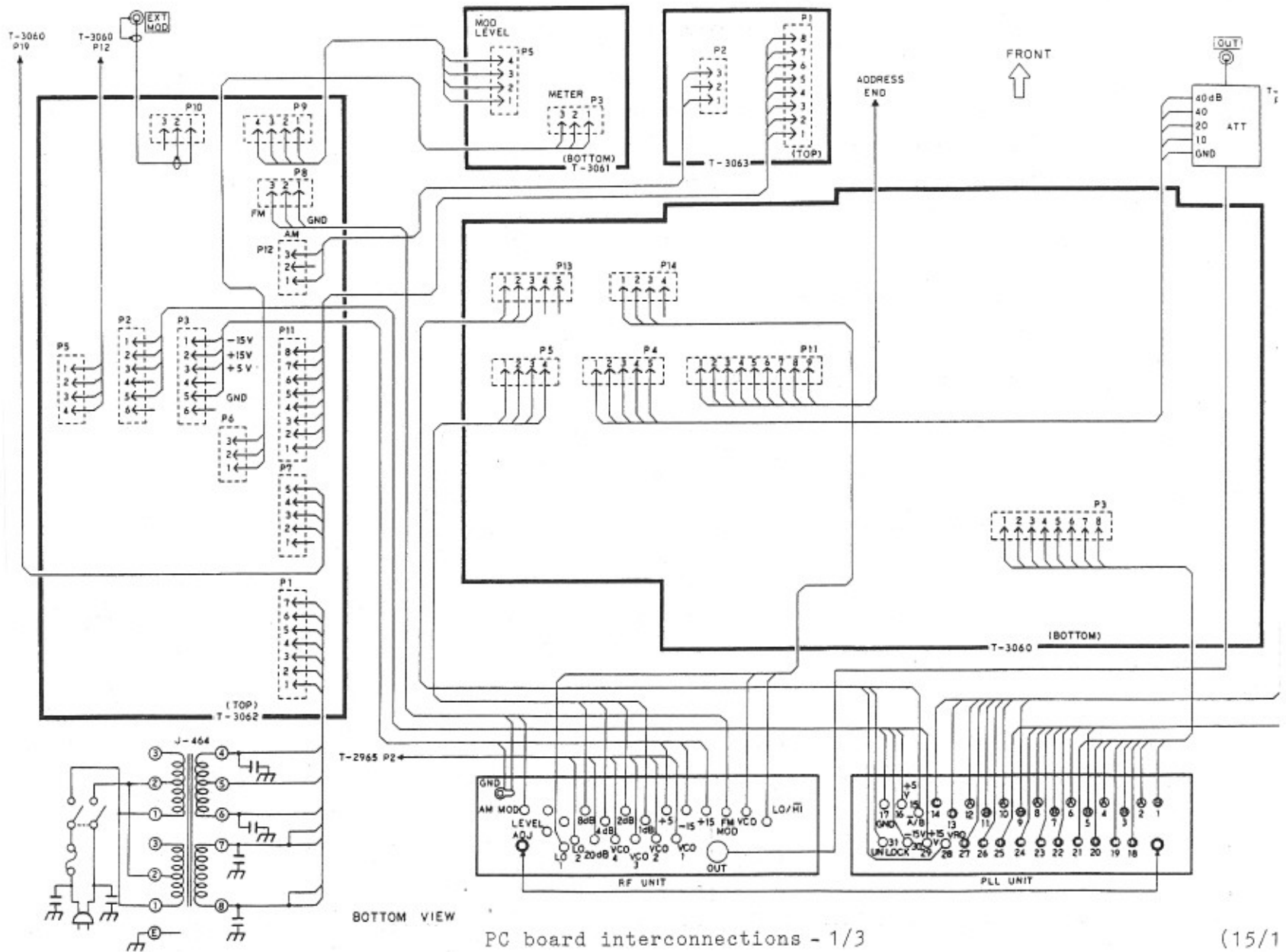


LSG-215A
-38-



Power transformer
Address switch
Remote control connector

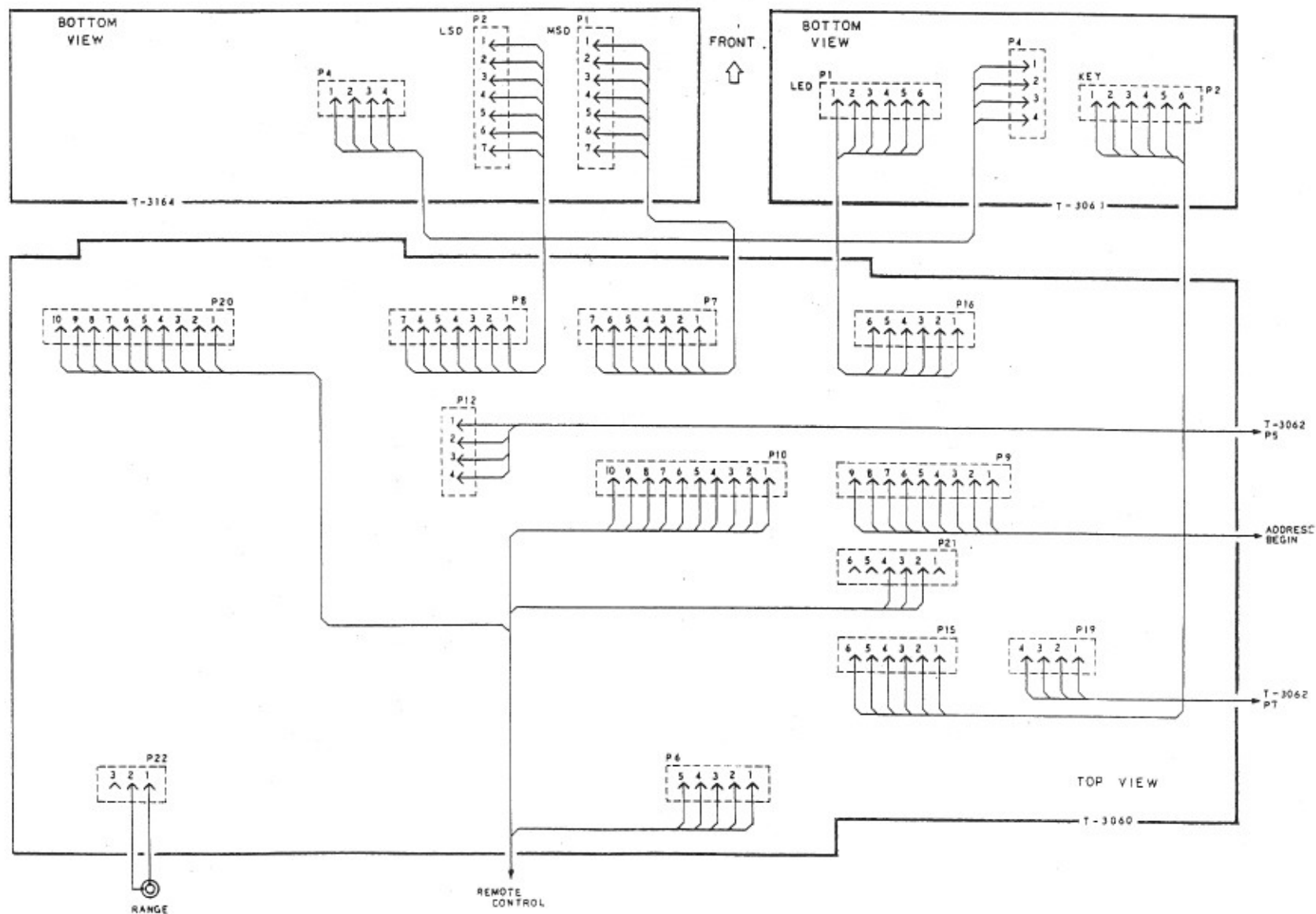
LSG-215A
-39-



BOTTOM VIEW

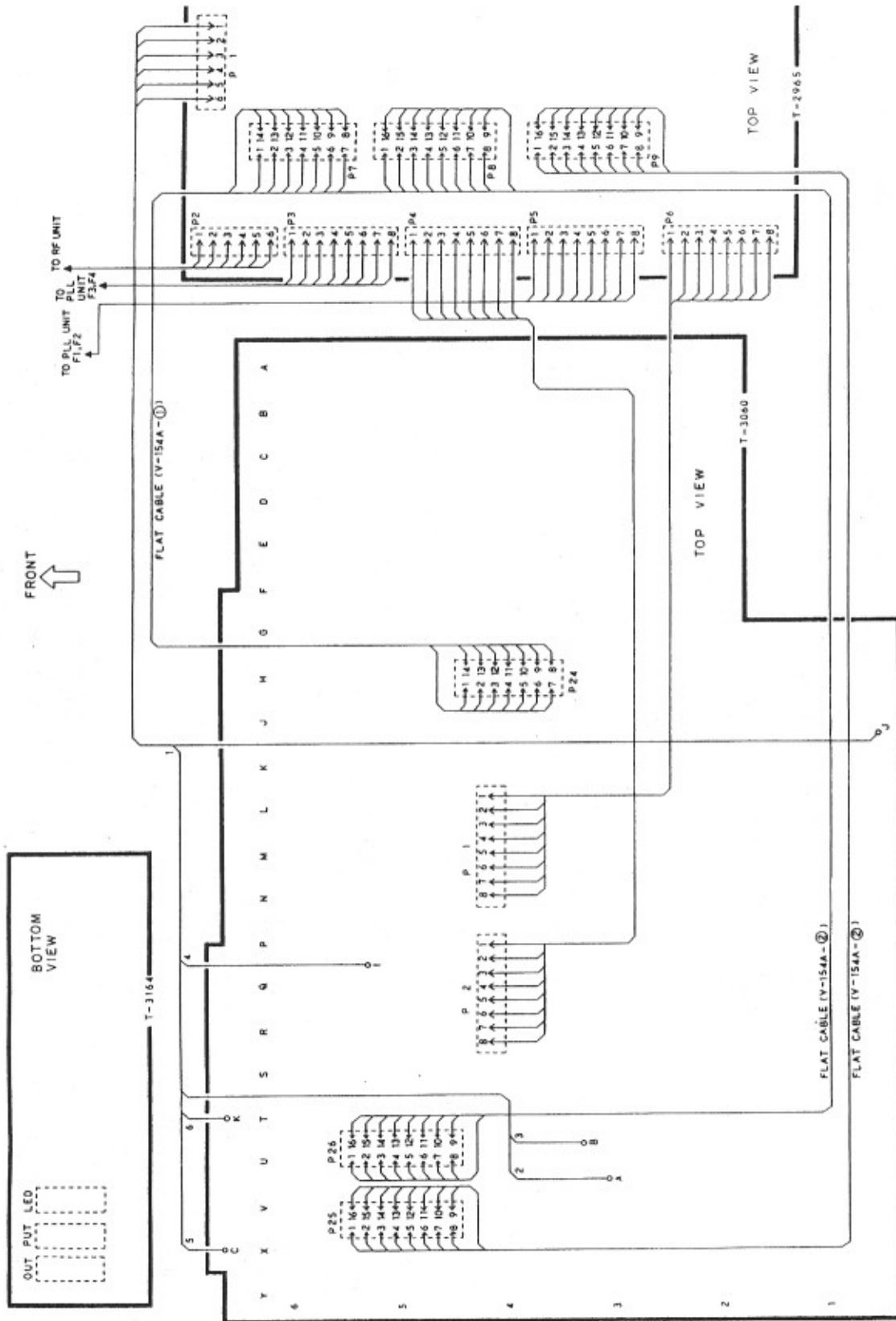
PC board interconnections - 1/3

LSG-215A
-40-



PC board interconnections - 2/3

(16/17)



9. Parts List

No.	LDR PT No.	DESCRIPTION	No.	LDR PT No.	DESCRIPTION
POWER & AF BOARD (T-3062)					
< RESISTORS >					
R1	1000330004	Carbon film 1/2W 33Ω 5X	R56	1000273004	Carbon film 1/6W 27kΩ 5X
R2	1000471005	Carbon film 1/4W 470Ω 5X	R57	1000103009	Carbon film 1/6W 10kΩ 5X
R3	1000222007	Carbon film 1/6W 2.2kΩ 5X	R58	1000103009	Carbon film 1/6W 10kΩ 5X
R4	1000392002	Carbon film 1/6W 3.9kΩ 5X	R59	1000103009	Carbon film 1/6W 10kΩ 5X
R5	1000102007	Carbon film 1/6W 1kΩ 5X	R60	1000101005	Carbon film 1/6W 100Ω 5X
R6	1000562001	Carbon film 1/6W 5.6kΩ 5X	R61	1000103009	Carbon film 1/6W 10kΩ 5X
R7	1000392002	Carbon film 1/6W 3.9kΩ 5X	R62	1000103009	Carbon film 1/6W 10kΩ 5X
R8	1312201002	Metal film 1/4W 2.2kΩ 1X	R63	1000223009	Carbon film 1/6W 22kΩ 5X
R9	1000103009	Carbon film 1/6W 10kΩ 5X	R64	1000101005	Carbon film 1/6W 100Ω 5X
R10	1000472000	Carbon film 1/6W 4.7kΩ 5X	R65	1000101005	Carbon film 1/6W 100Ω 5X
R11	1000223009	Carbon film 1/6W 22kΩ 5X	< NETWORK RESISTORS >		
R12	1000104001	Carbon film 1/6W 100kΩ 5X	RA1	1511104004	Carbon film 1/8W 100kΩ 10X
R13	1000473002	Carbon film 1/6W 47kΩ 5X	< VARIABLE RESISTORS >		
R14	1000103009	Carbon film 1/6W 10kΩ 5X	VR1	1711004051	Carbon film 1/3W 2kΩ 20X
R15	1000104001	Carbon film 1/6W 100kΩ 5X	VR2	1711004079	Carbon film 1/3W 10kΩ 20X
R16	1000471005	Carbon film 1/4W 470Ω 5X	VR3	1711004097	Carbon film 1/3W 50kΩ 20X
R17	1000222007	Carbon film 1/6W 2.2kΩ 5X	VR4	1711004134	Carbon film 1/3W 200kΩ 20X
R18	1312201002	Metal film 1/4W 2.2kΩ 1X	VR5	---	---
R19	1000103009	Carbon film 1/6W 10kΩ 5X	VR6	1711004079	Carbon film 1/3W 10kΩ 20X
R20	1000103009	Carbon film 1/6W 10kΩ 5X	VR7	1711004051	Carbon film 1/3W 2kΩ 20X
R21	1000102007	Carbon film 1/6W 1kΩ 5X	VR8	1711004152	Carbon film 1/3W 30kΩ 20X
R22	1000332004	Carbon film 1/6W 3.3kΩ 5X	VR9	1711004125	Carbon film 1/3W 5kΩ 20X
R23	1000561009	Carbon film 1/6W 560Ω 5X	VR10	1711004060	Carbon film 1/3W 3kΩ 20X
R24	1000103009	Carbon film 1/6W 10kΩ 5X	VR11	1711004152	Carbon film 1/3W 30kΩ 20X
R25	1000103009	Carbon film 1/6W 10kΩ 5X	VR12	1711004125	Carbon film 1/3W 5kΩ 20X
R26	1000103009	Carbon film 1/6W 10kΩ 5X	VR13	1711004060	Carbon film 1/3W 3kΩ 20X
R27	1312652019	Metal film 1/4W 26.52kΩ 1X	< CAPACITORS >		
R28	1000101005	Carbon film 1/6W 100Ω 5X	C1	2330051000	Electrolytic 35V 4700μF 20X
R29	1363979026	Metal film 1/4W 39.79kΩ 1X	C2	2250109001	Electrolytic 50V 1μF 20X
R30	1000682001	Carbon film 1/6W 6.8kΩ 5X	C3	2220101004	Electrolytic 10V 100μF 20X
R31	1312652019	Metal film 1/4W 26.52kΩ 1X	C4	2330027003	Electrolytic 35V 2200μF 20X
R32	1363979026	Metal film 1/4W 39.79kΩ 1X	C5	2010103995	Ceramic 50V 0.01μF 10X
R33	1000103009	Carbon film 1/6W 10kΩ 5X	C6	2230100009	Electrolytic 16V 10μF 20X
R34	1000104001	Carbon film 1/6W 100kΩ 5X	C7	2230100009	Electrolytic 16V 10μF 20X
R35	1000562001	Carbon film 1/6W 5.6kΩ 5X	C8	2260100006	Electrolytic 25V 10μF 20X
R36	1000473002	Carbon film 1/6W 47kΩ 5X	C9	2240479007	Electrolytic 25V 4.7μF 20X
R37	1000223009	Carbon film 1/6W 22kΩ 5X	C10	2330027003	Electrolytic 35V 2200μF 20X
R38	1000152002	Carbon film 1/6W 1.5kΩ 5X	C11	2010103995	Ceramic 50V 0.01μF 10X
R39	1000152002	Carbon film 1/6W 1.5kΩ 5X	C12	2320017003	Electrolytic 16V 100μF 20X
R40	1000104001	Carbon film 1/6W 100kΩ 5X	C13	---	---
R41	1000102007	Carbon film 1/6W 1.2kΩ 5X	C14	2194003009	Plastic film 50V 10000 pF 0.5X
R42	1000223009	Carbon film 1/6W 22kΩ 5X	C15	2194003009	Plastic film 50V 10000 pF 0.5X
R43	1000223009	Carbon film 1/6W 22kΩ 5X	C16	2240220006	Electrolytic 25V 22μF 20X
R44	1000101005	Carbon film 1/6W 100Ω 5X	C17	2240470009	Electrolytic 25V 47μF 20X
R45	1000101005	Carbon film 1/6W 100Ω 5X	C18	2240220006	Electrolytic 25V 22μF 20X
R46	1000223009	Carbon film 1/6W 22kΩ 5X	C19	2240220006	Electrolytic 25V 22μF 20X
R47	1000564005	Carbon film 1/6W 560kΩ 5X	C20	2240470009	Electrolytic 25V 47μF 20X
R48	1000103009	Carbon film 1/6W 10kΩ 5X	C21	2250109001	Electrolytic 50V 1μF 20X
R49	---	---	C22	2260100006	Electrolytic 25V 10μF 20X
R50	---	---	C23	2010103995	Ceramic 50V 0.01μF 10X
R51	---	---	C24	2010103995	Ceramic 50V 0.01μF 10X
R52	---	---			
R53	1000273004	Carbon film 1/6W 27kΩ 5X			
R54	1000273004	Carbon film 1/6W 27kΩ 5X			
R55	1000273004	Carbon film 1/6W 27kΩ 5X			

No.	LDR PT No.	DESCRIPTION	
< TRANSISTORS >			
Q1	3020435006	PNP	2SB435-0
Q2	3050030001	FET	2SK30A-GR
Q3	3031805027	NPN	2SC1815-GR
Q4	3040880001	NPN	2SD880-0
Q5	3031805009	NPN	2SC1815-0 or Y
Q6	3050030001	FET	2SK30A-GR
Q7	3011015021	PNP	2SA1015-GR
Q8	3020435006	PNP	2SB435-0
Q9	3050030001	FET	2SK30A-GR
Q10	3031805009	NPN	2SC1815-0 or Y
< DIODES >			
D1	3110062004	Rect	KBF-02
D2	3110042008	Rect	W-02 Bridge
D3	3120025005	Zener	RD6.2EB 6.2V
D4	3110006004	Det	1S1588
D5	3110006004	Det	1S1588
D6	3110006004	Det	1S1588
D7	3110006004	Det	1S1588
D8	3110006004	Det	1S1588
D9	3110006004	Det	1S1588
D10	3110006004	Det	1S1588
D11	3110006004	Det	1S1588
D12	3110006004	Det	1S1588
D13	3110006004	Det	1S1588
D14	3110006004	Det	1S1588
D15	3110006004	Det	1S1588
D16	3110006004	Det	1S1588
< ICs >			
IC1	3217805994	Regulator	7805 +5V 1A
IC2	3220038002	Op amp	TL082
IC3	3220038002	Op amp	TL082
IC4	3220094002	Op amp	TL074CN
IC5	3310107996	C MOS	40107
IC6	3310107996	C MOS	40107
IC7	3220065005	Op amp	TL072C
< RELAYS >			
K1	4080040004	PRA-4	
K2	4080017009	AF5349	
K3	4080038007	PRB-4	
K4	4080046006	AG2329	
< PC BOARD >			
	5903062025	T-3062	

No.	LDR PT No.	DESCRIPTION			
PLL unit					
< RESISTORS >					
R1	1000223009	Carbon film	1/6W	22k Ω	5%
R2	1000221005	Carbon film	1/6W	220 Ω	5%
R3	1000683003	Carbon film	1/6W	68k Ω	5%
R4	1000222007	Carbon film	1/6W	2.2k Ω	5%
R5	1000221005	Carbon film	1/6W	220 Ω	5%
R6	1000102007	Carbon film	1/6W	1k Ω	5%
R7	1000102007	Carbon film	1/6W	1k Ω	5%
R8	1000102007	Carbon film	1/6W	1k Ω	5%
R9	1000104001	Carbon film	1/6W	100k Ω	5%
R10	1000103009	Carbon film	1/6W	10k Ω	5%
R11	1000102007	Carbon film	1/6W	1k Ω	5%
R12	1000562001	Carbon film	1/6W	5.6k Ω	5%
R13	1000103009	Carbon film	1/6W	10k Ω	5%
R14	1000273004	Carbon film	1/6W	27k Ω	5%
R15	1000104001	Carbon film	1/6W	100k Ω	5%
R16	1000474004	Carbon film	1/6W	470k Ω	5%
R17		---			
R18		---			
R19	1000473002	Carbon film	1/6W	47k Ω	5%
R20	1000223009	Carbon film	1/6W	22k Ω	5%
R21	1000333006	Carbon film	1/6W	33k Ω	5%
R22	1000103009	Carbon film	1/6W	10k Ω	5%
R23	1000182001	Carbon film	1/6W	1.8k Ω	5%
R24		---			
R25	1000103009	Carbon film	1/6W	10k Ω	5%
R26	1000682001	Carbon film	1/6W	6.8k Ω	5%
R27	1000222007	Carbon film	1/6W	2.2k Ω	5%
R28	1000223009	Carbon film	1/6W	22k Ω	5%
R29	1000102007	Carbon film	1/6W	1k Ω	5%
R30	1000822001	Carbon film	1/6W	8.2k Ω	5%
R31	1000333006	Carbon film	1/6W	33k Ω	5%
R32	1000472000	Carbon film	1/6W	4.7k Ω	5%
R33	1000223009	Carbon film	1/6W	22k Ω	5%
R34	1000222007	Carbon film	1/6W	2.2k Ω	5%
R35	1000102007	Carbon film	1/6W	1k Ω	5%
R36	1000103009	Carbon film	1/6W	10k Ω	5%
R37	1000472000	Carbon film	1/6W	4.7k Ω	5%
R38	1000104001	Carbon film	1/6W	100k Ω	5%
R39	1000472000	Carbon film	1/6W	4.7k Ω	5%
R40	1000103009	Carbon film	1/6W	10k Ω	5%
R41		---			
R42	1000103009	Carbon film	1/6W	10k Ω	5%
R43	1000103009	Carbon film	1/6W	10k Ω	5%
R44	1000510002	Carbon film	1/6W	51 Ω	5%
R45	1000221005	Carbon film	1/6W	220 Ω	5%
R46	1000391000	Carbon film	1/6W	390 Ω	5%
R47	1000103009	Carbon film	1/6W	10k Ω	5%
R48	1000102007	Carbon film	1/6W	1k Ω	5%
R49	1000471008	Carbon film	1/6W	470 Ω	5%
R50	1000272002	Carbon film	1/6W	2.7k Ω	5%
R51	1000332004	Carbon film	1/6W	3.3k Ω	5%
R52		---			
R53	1000471008	Carbon film	1/6W	470 Ω	5%
R54	1000473002	Carbon film	1/6W	47k Ω	5%
R55	1000472000	Carbon film	1/6W	4.7k Ω	5%

No.	LDR PT No.	DESCRIPTION
R56	1000471008	Carbon film 1/6W 470Ω 5X
R57	1000103009	Carbon film 1/6W 10kΩ 5X
R58	---	---
R59	---	---
R60	---	---
R61	1000221005	Carbon film 1/6W 220Ω 5X
R62	1000221005	Carbon film 1/6W 220Ω 5X
R63	1000221005	Carbon film 1/6W 220Ω 5X
R64	1000221005	Carbon film 1/6W 220Ω 5X
R65	1000221005	Carbon film 1/6W 220Ω 5X
R66	1000221005	Carbon film 1/6W 220Ω 5X
R67	1000221005	Carbon film 1/6W 220Ω 5X
R68	1000221005	Carbon film 1/6W 220Ω 5X
R69	1000221005	Carbon film 1/6W 220Ω 5X
R70	1000221005	Carbon film 1/6W 220Ω 5X
R71	1000221005	Carbon film 1/6W 220Ω 5X
R72	1000221005	Carbon film 1/6W 220Ω 5X
R73	1000221005	Carbon film 1/6W 220Ω 5X
R74	1000221005	Carbon film 1/6W 220Ω 5X
R75	1000221005	Carbon film 1/6W 220Ω 5X
R76	1000221005	Carbon film 1/6W 220Ω 5X
R77	1000221005	Carbon film 1/6W 220Ω 5X
R78	1000221005	Carbon film 1/6W 220Ω 5X
R79	1000221005	Carbon film 1/6W 220Ω 5X
R80	1000221005	Carbon film 1/6W 220Ω 5X
R81	1000221005	Carbon film 1/6W 220Ω 5X
R82	1000221005	Carbon film 1/6W 220Ω 5X
R83	1000221005	Carbon film 1/6W 220Ω 5X
R84	1000221005	Carbon film 1/6W 220Ω 5X

< CAPACITORS >

C1	2010103995	Ceramic 50V 0.01μF 10X
C2	2120270009	Mica 500V 270 pF 10X
C3	2110151004	Mica 50V 150 pF 10X
C4	2110101009	Mica 50V 100 pF 10X
C5	2220330009	Electrolytic 10V 33μF 20X
C6	2140103013	Plastic film 50V 0.01μF 10X
C7	2230220009	Electrolytic 16V 22μF 10X
C8	2610475000	Metal film 63V 4.7μF 10X
C9	2140333010	Plastic film 50V 0.033μF 10X
C10	2140104015	Plastic film 50V 0.1μF 10X
C11	2220330009	Electrolytic 10V 33μF 20X
C12	2010103995	Ceramic 50V 0.01μF 10X
C13	2010104007	Ceramic 50V 0.1μF 10X
C14	2010104007	Ceramic 50V 0.1μF 10X
C15	2010102993	Ceramic 50V 1000 pF 10X
C16	2010102993	Ceramic 50V 1000 pF 10X
C17	2010104007	Ceramic 50V 0.1μF 10X
C18	2010102993	Ceramic 50V 1000 pF 10X
C19	2220101004	Electrolytic 10V 100μF 20X
C20	2010102993	Ceramic 50V 1000 pF 10X
C21	2010102993	Ceramic 50V 1000 pF 10X
C22	2220101004	Electrolytic 10V 100μF 20X
C23	2230470002	Electrolytic 16V 47μF 20X
C24	2230470002	Electrolytic 16V 47μF 20X
C25	2010103995	Ceramic 50V 0.01μF 10X
C26	2010103995	Ceramic 50V 0.01μF 10X
C27	2010103995	Ceramic 50V 0.01μF 10X

No.	LDR PT No.	DESCRIPTION
C28	2010103995	Ceramic 50V 0.01μF 10X
C29	2010103995	Ceramic 50V 0.01μF 10X
C30	2010103995	Ceramic 50V 0.01μF 10X
C31	2010103995	Ceramic 50V 0.01μF 10X
C32	2010103995	Ceramic 50V 0.01μF 10X
C33	2010103995	Ceramic 50V 0.01μF 10X
C34	2010103995	Ceramic 50V 0.01μF 10X
C35	2010103995	Ceramic 50V 0.01μF 10X
C36	2010103995	Ceramic 50V 0.01μF 10X
C37	2010103995	Ceramic 50V 0.01μF 10X
C38	2010103995	Ceramic 50V 0.01μF 10X
C39	2010103995	Ceramic 50V 0.01μF 10X
C40	2010103995	Ceramic 50V 0.01μF 10X
C41	2010103995	Ceramic 50V 0.01μF 10X
C42	2010103995	Ceramic 50V 0.01μF 10X
C43	2010103995	Ceramic 50V 0.01μF 10X
C44	2010103995	Ceramic 50V 0.01μF 10X
C45	2010103995	Ceramic 50V 0.01μF 10X
C46	2010103995	Ceramic 50V 0.01μF 10X
C47	2010103995	Ceramic 50V 0.01μF 10X
C48	2090216004	Feedthrough 300V 1000 pF
C49	2090216004	Feedthrough 300V 1000 pF
C50	2090216004	Feedthrough 300V 1000 pF
C51	2090216004	Feedthrough 300V 1000 pF
C52	2090216004	Feedthrough 300V 1000 pF
C53	2090216004	Feedthrough 300V 1000 pF
C54	2090216004	Feedthrough 300V 1000 pF
C55	2090216004	Feedthrough 300V 1000 pF
C56	2090216004	Feedthrough 300V 1000 pF
C57	2090216004	Feedthrough 300V 1000 pF
C58	2090216004	Feedthrough 300V 1000 pF
C59	2090216004	Feedthrough 300V 1000 pF
C60	2090216004	Feedthrough 300V 1000 pF
C61	2090216004	Feedthrough 300V 1000 pF
C62	2090216004	Feedthrough 300V 1000 pF
C63	2090216004	Feedthrough 300V 1000 pF
C64	2090216004	Feedthrough 300V 1000 pF
C65	2090216004	Feedthrough 300V 1000 pF
C66	2090216004	Feedthrough 300V 1000 pF
C67	2090216004	Feedthrough 300V 1000 pF
C68	2090216004	Feedthrough 300V 1000 pF
C69	2090216004	Feedthrough 300V 1000 pF
C70	2090216004	Feedthrough 300V 1000 pF
C71	2090216004	Feedthrough 300V 1000 pF
C72	2090216004	Feedthrough 300V 1000 pF
C73	2090216004	Feedthrough 300V 1000 pF
C74	2090216004	Feedthrough 300V 1000 pF
C75	2090216004	Feedthrough 300V 1000 pF
C76	2090216004	Feedthrough 300V 1000 pF
C77	2090216004	Feedthrough 300V 1000 pF
C78	2090216004	Feedthrough 300V 1000 pF
C79	2010104007	Ceramic 50V 0.1μF 10X
C80	2010104007	Ceramic 50V 0.1μF 10X
C81	2010104007	Ceramic 50V 0.1μF 10X
C82	2010103995	Ceramic 50V 0.01μF 10X
C83	2010103995	Ceramic 50V 0.01μF 10X
C84	2010103995	Ceramic 50V 0.01μF 10X
C85	2010103995	Ceramic 50V 0.01μF 10X

No.	LDR PT No.	DESCRIPTION
C86	2010103995	Ceramic 50V 0.01 μ F 10X
C87	2010103995	Ceramic 50V 0.01 μ F 10X
C88	2010103995	Ceramic 50V 0.01 μ F 10X
C89	2010103995	Ceramic 50V 0.01 μ F 10X
C90	2010103995	Ceramic 50V 0.01 μ F 10X
C91	2010103995	Ceramic 50V 0.01 μ F 10X
C92	2010103995	Ceramic 50V 0.01 μ F 10X
C93	2010103995	Ceramic 50V 0.01 μ F 10X
C94	2010103995	Ceramic 50V 0.01 μ F 10X
C95	2010103995	Ceramic 50V 0.01 μ F 10X
C96	2010103995	Ceramic 50V 0.01 μ F 10X
C97	2010103995	Ceramic 50V 0.01 μ F 10X
C98	2010103995	Ceramic 50V 0.01 μ F 10X
C99	2010103995	Ceramic 50V 0.01 μ F 10X
C100	2010103995	Ceramic 50V 0.01 μ F 10X
C101	2010103995	Ceramic 50V 0.01 μ F 10X
C102	2010103995	Ceramic 50V 0.01 μ F 10X
C103	2010103995	Ceramic 50V 0.01 μ F 10X
C104	2010103995	Ceramic 50V 0.01 μ F 10X
C105	2010103995	Ceramic 50V 0.01 μ F 10X
C106	2010103995	Ceramic 50V 0.01 μ F 10X
C107	2010103995	Ceramic 50V 0.01 μ F 10X
C108	2120150009	Mica 500V 150 pF 10X

< VARIABLE CAPACITORS >

VC1 2910019008 Ceramic 6 - 20 pF

< TRANSISTORS >

Q1 3031815009 NPN 2SC1815-0 or Y
 Q2 3011015003 PNP 2SA1015-0 or Y
 Q3 3031815018 NPN 2SC1815-Y
 Q4 3031815018 NPN 2SC1815-Y
 Q5 ---
 Q6 3011015012 PNP 2SA1015-Y
 Q7 3011015012 PNP 2SA1015-Y
 Q8 ---
 Q9 3011015012 PNP 2SA1015-Y
 Q10 3031815018 NPN 2SC1815-Y
 Q11 3031815018 NPN 2SC1815-Y
 Q12 3031815018 NPN 2SC1815-Y
 Q13 ---
 Q14 3031907004 NPN 2SC1907
 Q15 3031907004 NPN 2SC1907
 Q16 3031907004 NPN 2SC1907
 Q17 3030752005 NPN 2SC752 (G) TH-0
 Q18 3031815018 NPN 2SC1815-Y
 Q19 3031907004 NPN 2SC1907

< DIODES >

D1 3110006004 Rect 1S1588
 D2 3110006004 Rect 1S1588
 D3 ---
 D4 ---
 D5 ---
 D6 ---
 D7 3110006004 Rect 1S1588

No.	LDR PT No.	DESCRIPTION
D8	3110006004	Rect 1S1588
D9	3110006004	Rect 1S1588
D10	3110006004	Rect 1S1588
< ICs >		
IC1	3260390994	TTL 74LS390
IC2	3260390994	TTL 74LS390
IC3	3260390994	TTL 74LS390
IC4	3260074994	TTL 74LS74
IC5	3350002000	C2 MOS TC40H002P
IC6	3260000995	TTL 74LS00
IC7	3260002999	TTL 74LS02
IC8	3220048005	Op amp TL081CP
IC9	3220038002	Op amp TL082
IC10	3310049998	C MOS 4049
IC11	3220066007	ECL UPB551C
IC12	3270132999	TTL 74S132
IC13	3260027995	TTL 74LS27
IC14	3260107993	TTL 74LS107
IC15	3260030994	TTL 74LS30
IC16	3260074994	TTL 74LS74
IC17	3260004993	TTL 74LS04
IC18	3260092990	TTL 74LS192
IC19	3260092990	TTL 74LS192
IC20	3260092990	TTL 74LS192
IC21	3260092990	TTL 74LS192
IC22	3260092990	TTL 74LS192
IC23	3260092990	TTL 74LS192
IC24	3350002000	C2 MOS TC40H002P
IC25	3350002000	C2 MOS TC40H002P
IC26	3310066998	C MOS 4066

< X'TAL >

X1 3500304007 NC-18C 10MHz

< COILS >

L1 3992002008 Coil 30 μ H
 L2 3992002008 Coil 30 μ H
 L3 3992002008 Coil 30 μ H

< PC BOARD >

5902793037 T-2793

No.	LDR PT No.	DESCRIPTION
RF unit		
< RESISTORS >		
R1	1000103009	Carbon film 1/6W 10k Ω 5%
R2	1000103009	Carbon film 1/6W 10k Ω 5%
R3	1000103009	Carbon film 1/6W 10k Ω 5%
R4	2000103009	Carbon film 1/6W 10k Ω 5%
R5	1000104001	Carbon film 1/6W 100k Ω 5%
R6	1000104001	Carbon film 1/6W 100k Ω 5%
R7	1000104001	Carbon film 1/6W 100k Ω 5%
R8	1000104001	Carbon film 1/6W 100k Ω 5%
R9	1000103009	Carbon film 1/6W 10k Ω 5%
R10	1000103009	Carbon film 1/6W 10k Ω 5%
R11	1000103009	Carbon film 1/6W 10k Ω 5%
R12	1000103009	Carbon film 1/6W 10k Ω 5%
R13	1000222007	Carbon film 1/6W 2.2k Ω 5%
R14	1000153004	Carbon film 1/6W 15k Ω 5%
R15	1000473002	Carbon film 1/6W 47k Ω 5%
R16	1000473002	Carbon film 1/6W 47k Ω 5%
R17	1000473002	Carbon film 1/6W 47k Ω 5%
R18	1000473002	Carbon film 1/6W 47k Ω 5%
R19	1000222007	Carbon film 1/6W 2.2k Ω 5%
R20	1000222007	Carbon film 1/6W 2.2k Ω 5%
R21	1000392002	Carbon film 1/6W 3.9k Ω 5%
R22	1000102007	Carbon film 1/6W 1k Ω 5%
R23	1000474004	Carbon film 1/6W 470k Ω 5%
R24	1000102004	Carbon film 1/4W 1k Ω 5%
R25	1000101005	Carbon film 1/6W 100Ω 5%
R26	1190014001	Carbon film 1/4W 27M Ω 5%
R27	1000102007	Carbon film 1/6W 1k Ω 5%
R28	1000472000	Carbon film 1/6W 4.7k Ω 5%
R29	1000120009	Carbon film 1/6W 12Ω 5%
R30	1000103009	Carbon film 1/6W 10k Ω 5%
R31	---	---
R32	---	---
R33	1000103009	Carbon film 1/6W 10k Ω 5%
R34	1000682001	Carbon film 1/6W 6.8k Ω 5%
R35	1000101005	Carbon film 1/6W 100Ω 5%
R36	1000101005	Carbon film 1/6W 100Ω 5%
R37	1000101005	Carbon film 1/6W 100Ω 5%
R38	1000101005	Carbon film 1/6W 100Ω 5%
R39	1000103009	Carbon film 1/6W 10k Ω 5%
R40	1000123005	Carbon film 1/6W 12k Ω 5%
R41	1000562001	Carbon film 1/6W 5.6k Ω 5%
R42	1000103009	Carbon film 1/6W 10k Ω 5%
R43	1000682001	Carbon film 1/6W 6.8k Ω 5%
R44	1000101005	Carbon film 1/6W 100Ω 5%
R45	1000101005	Carbon film 1/6W 100Ω 5%
R46	1000101005	Carbon film 1/6W 100Ω 5%
R47	1000101005	Carbon film 1/6W 100Ω 5%
R48	1000103009	Carbon film 1/6W 10k Ω 5%
R49	1000103009	Carbon film 1/6W 10k Ω 5%
R50	1000332004	Carbon film 1/6W 3.3k Ω 5%
R51	1000103009	Carbon film 1/6W 10k Ω 5%
R52	1000682001	Carbon film 1/6W 6.8k Ω 5%
R53	1000101005	Carbon film 1/6W 100Ω 5%
R54	1000101005	Carbon film 1/6W 100Ω 5%
R55	1000101005	Carbon film 1/6W 100Ω 5%

No.	LDR PT No.	DESCRIPTION
R56	1000101005	Carbon film 1/6W 100Ω 5%
R57	1000103009	Carbon film 1/6W 10k Ω 5%
R58	1000822001	Carbon film 1/6W 8.2k Ω 5%
R59	1000332004	Carbon film 1/6W 3.3k Ω 5%
R60	1000103009	Carbon film 1/6W 10k Ω 5%
R61	1000682001	Carbon film 1/6W 6.8k Ω 5%
R62	1000680007	Carbon film 1/6W 68Ω 5%
R63	1000680007	Carbon film 1/6W 68Ω 5%
R64	1000101005	Carbon film 1/6W 100Ω 5%
R65	1000101005	Carbon film 1/6W 100Ω 5%
R66	1000103009	Carbon film 1/6W 10k Ω 5%
R67	1000473000	Carbon film 1/6W 4.7k Ω 5%
R68	1000473000	Carbon film 1/6W 4.7k Ω 5%
R69	1000101005	Carbon film 1/6W 100Ω 5%
R70	1000102004	Carbon film 1/4W 1k Ω 5%
R71	1000151000	Carbon film 1/6W 150Ω 5%
R72	1000151000	Carbon film 1/6W 150Ω 5%
R73	1000272002	Carbon film 1/6W 2.7k Ω 5%
R74	1000331002	Carbon film 1/6W 330Ω 5%
R75	1000101005	Carbon film 1/6W 100Ω 5%
R76	1000152009	Carbon film 1/4W 1.5k Ω 5%
R77	1000470006	Carbon film 1/6W 47Ω 5%
R78	1000470006	Carbon film 1/6W 47Ω 5%
R79	1000272002	Carbon film 1/6W 2.7k Ω 5%
R80	1000271000	Carbon film 1/6W 270Ω 5%
R81	1000101005	Carbon film 1/6W 100Ω 5%
R82	1000122007	Carbon film 1/2W 1.2k Ω 5%
R83	1000101005	Carbon film 1/4W 100Ω 5%
R84	1000222007	Carbon film 1/6W 2.2k Ω 5%
R85	1000103009	Carbon film 1/6W 10k Ω 5%
R86	1000682001	Carbon film 1/6W 6.8k Ω 5%
R87	1000561009	Carbon film 1/6W 560Ω 5%
R88	1000560007	Carbon film 1/6W 56Ω 5%
R89	1000272002	Carbon film 1/6W 2.7k Ω 5%
R90	1000271000	Carbon film 1/6W 270Ω 5%
R91	1000101005	Carbon film 1/6W 100Ω 5%
R92	1000332004	Carbon film 1/6W 3.3k Ω 5%
R93	1000151000	Carbon film 1/6W 150Ω 5%
R94	1000221005	Carbon film 1/6W 220Ω 5%
R95	1000102004	Carbon film 1/4W 1k Ω 5%
R96	1000221005	Carbon film 1/6W 220Ω 5%
R97	1000333006	Carbon film 1/6W 33k Ω 5%
R98	1000182001	Carbon film 1/6W 1.8k Ω 5%
R99	1000105003	Carbon film 1/6W 1M Ω 5%
R100	1000560007	Carbon film 1/6W 56Ω 5%
R101	1000221005	Carbon film 1/6W 220Ω 5%
R102	1000182001	Carbon film 1/6W 1.8k Ω 5%
R103	1000561009	Carbon film 1/6W 560Ω 5%
R104	1000222007	Carbon film 1/6W 2.2k Ω 5%
R105	1000153004	Carbon film 1/6W 15k Ω 5%
R106	1000393004	Carbon film 1/6W 39k Ω 5%
R107	1000102004	Carbon film 1/4W 1k Ω 5%
R108	1000221005	Carbon film 1/6W 220Ω 5%
R109	1000102004	Carbon film 1/4W 1k Ω 5%
R110	1000271000	Carbon film 1/6W 270Ω 5%
R111	1000221005	Carbon film 1/6W 220Ω 5%
R112	1000102004	Carbon film 1/4W 1k Ω 5%
R113	1000271000	Carbon film 1/6W 270Ω 5%

No.	LDR PT No.	DESCRIPTION				No.	LDR PT No.	DESCRIPTION			
C32	2010103995	Ceramic	50V	0.01 μ F	10X	C90	2010103995	Ceramic	50V	0.01 μ F	10X
C33	2010103995	Ceramic	50V	0.01 μ F	10X	C91	2010103995	Ceramic	50V	0.01 μ F	10X
C34	2010103995	Ceramic	50V	0.01 μ F	10X	C92	2010103995	Ceramic	50V	0.01 μ F	10X
C35	2010103995	Ceramic	50V	0.01 μ F	10X	C93	2610105007	Metal film	63V	1 μ F	10X
C36	2010103995	Ceramic	50V	0.01 μ F	10X	C94	2010102993	Ceramic	50V	1000 pF	10X
C37	2010103995	Ceramic	50V	0.01 μ F	10X	C95	2010102993	Ceramic	50V	1000 pF	10X
C38	2120390009	Mica	500V	39 pF	10X	C96	2010102993	Ceramic	50V	1000 pF	10X
C39	2120560008	Mica	500V	56 pF	10X	C97	2010102993	Ceramic	50V	1000 pF	10X
C40	2120390009	Mica	500V	39 pF	10X	C98	2010103995	Ceramic	50V	0.01 μ F	10X
C41	2010103995	Ceramic	50V	0.01 μ F	10X	C99	2140683017	Plastic film	50V	0.068 μ F	10X
C42	2010103995	Ceramic	50V	0.01 μ F	10X	C100	2010103995	Ceramic	50V	0.01 μ F	10X
C43	2120030009	Mica	500V	3 pF	10X	C101	2610105007	Metal film	63V	1 μ F	10X
C44	2010103995	Ceramic	50V	0.01 μ F	10X	C102	2010103995	Ceramic	50V	0.01 μ F	10X
C45	2120030009	Mica	500V	3 pF	10X	C103	2010103995	Ceramic	50V	0.01 μ F	10X
C46	2010103995	Ceramic	50V	0.01 μ F	10X	C104	2010103995	Ceramic	50V	0.01 μ F	10X
C47	2010103995	Ceramic	50V	0.01 μ F	10X	C105	2610105007	Metal film	63V	1 μ F	10X
C48	2240470009	Electrolytic	25V	47 μ F	20X	C106	2010104007	Ceramic	50V	0.1 μ F	10X
C49	2240470009	Electrolytic	25V	47 μ F	20X	C107	2230100009	Electrolytic	16V	10 μ F	20X
C50	2010103995	Ceramic	50V	0.01 μ F	10X	C108	2010103995	Ceramic	50V	0.01 μ F	10X
C51	2240470009	Electrolytic	25V	47 μ F	20X	C109	2010103995	Ceramic	50V	0.01 μ F	10X
C52	2010103995	Ceramic	50V	0.01 μ F	10X	C110	2610105007	Metal film	63V	1 μ F	10X
C53	2010103995	Ceramic	50V	0.01 μ F	10X	C111	2010103995	Ceramic	50V	0.01 μ F	10X
C54	2010103995	Ceramic	50V	0.01 μ F	10X	C112	2240470009	Electrolytic	25V	47 μ F	20X
C55	2010103995	Ceramic	50V	0.01 μ F	10X	C113	2120030009	Mica	500V	3 pF	10X
C56	2010103995	Ceramic	50V	0.01 μ F	10X	C114	2010103995	Ceramic	50V	0.01 μ F	10X
C57	2010103995	Ceramic	50V	0.01 μ F	10X	C115	2610105007	Metal film	63V	1 μ F	10X
C58	2010103995	Ceramic	50V	0.01 μ F	10X	C116	2010104007	Ceramic	50V	0.1 μ F	10X
C59	2010103995	Ceramic	50V	0.01 μ F	10X	C117	2230100009	Electrolytic	16V	10 μ F	20X
C60	2010103995	Ceramic	50V	0.01 μ F	10X	C118	2610105007	Metal film	63V	1 μ F	10X
C61	2010103995	Ceramic	50V	0.01 μ F	10X	C119	2010103995	Ceramic	50V	0.01 μ F	10X
C62	2230221001	Electrolytic	16V	220 μ F	20X	C120	2010104007	Ceramic	50V	0.1 μ F	10X
C63	2010102993	Ceramic	50V	1000 pF	10X	C121	2140332018	Plastic film	50V	3300 pF	10X
C64	2010103995	Ceramic	50V	0.01 μ F	10X	C122	2140682015	Plastic film	50V	6800 pF	10X
C65	2010103995	Ceramic	50V	0.01 μ F	10X	C123	2140392016	Plastic film	50V	3900 pF	10X
C66	2120100004	Mica	500V	10 pF	10X	C124	2140223013	Plastic film	50V	2200 pF	10X
C67	2010103995	Ceramic	50V	0.01 μ F	10X	C125	2140223013	Plastic film	50V	2200 pF	10X
C68	2010103995	Ceramic	50V	0.01 μ F	10X	C126	2140152016	Plastic film	50V	0.0015 μ F	10X
C69	2010103995	Ceramic	50V	0.01 μ F	10X	C127	2010103995	Ceramic	50V	0.01 μ F	10X
C70	2120070001	Mica	500V	7 pF	10X	C128	2090216004	Feedthrough	300V	1000 pF	
C71	2010103995	Ceramic	50V	0.01 μ F	10X	C129	2090216004	Feedthrough	300V	1000 pF	
C72	2010103995	Ceramic	50V	0.01 μ F	10X	C130	2090216004	Feedthrough	300V	1000 pF	
C73	2010102993	Ceramic	50V	1000 pF	10X	C131	2090216004	Feedthrough	300V	1000 pF	
C74	2090216004	Feedthrough	300V	1000 pF		C132	2090216004	Feedthrough	300V	1000 pF	
C75	2220470005	Electrolytic	10V	47 μ F	20X	C133	2010103995	Ceramic	50V	0.01 μ F	10X
C76	2120390009	Mica	500V	39 pF	10X	C134	2010103995	Ceramic	50V	0.01 μ F	10X
C77	2120150009	Mica	500V	15 pF	10X	C135	2010103995	Ceramic	50V	0.01 μ F	10X
C78	2010102993	Ceramic	50V	1000 pF	10X	C136	2010103995	Ceramic	50V	0.01 μ F	10X
C79	2010103995	Ceramic	50V	0.01 μ F	10X	C137	2010103995	Ceramic	50V	0.01 μ F	10X
C80	2240470009	Electrolytic	25V	47 μ F	20X	C138	2010102993	Ceramic	50V	1000 pF	10X
C81	2010103995	Ceramic	50V	0.01 μ F	10X	C139	2010102993	Ceramic	50V	1000 pF	10X
C82	2240470009	Electrolytic	25V	47 μ F	20X	C140	2230101001	Electrolytic	16V	100 μ F	20X
C83	2120050005	Mica	500V	5 pF	10X	C141	2090216004	Feedthrough	300V	1000 pF	
C84	---	---				C142	2090216004	Feedthrough	300V	1000 pF	
C85	2110151004	Mica	50V	150 pF	10X	C143	2090216004	Feedthrough	300V	1000 pF	
C86	2110121005	Mica	50V	120 pF	10X	C144	2090216004	Feedthrough	300V	1000 pF	
C87	2110151004	Mica	50V	150 pF	10X	C145	2090216004	Feedthrough	300V	1000 pF	
C88	2010103995	Ceramic	50V	0.01 μ F	10X	C146	2090216004	Feedthrough	300V	1000 pF	
C89	2010104007	Ceramic	50V	0.1 μ F	10X	C147	2090216004	Feedthrough	300V	1000 pF	

No.	LDR PT No.	DESCRIPTION
C148	2090216004	Feedthrough 300V 1000 pF
C149	2090216004	Feedthrough 300V 1000 pF
C150	2010102993	Ceramic 50V 1000 pF 10%
C151	2010102993	Ceramic 50V 1000 pF 10%
C152	2010102993	Ceramic 50V 1000 pF 10%
C153	2010103995	Ceramic 50V 0.01 uF 10%
C154	2010102993	Ceramic 50V 1000 pF 10%

< VARIABLE CAPACITORS >

VC1	2910029001	Ceramic 2 - 6 pF
VC2	2910018006	Ceramic 2.8 - 10 pF

< TRANSISTORS >

Q1	3011015012	PNP 28A1015-Y
Q2	3011015012	PNP 28A1015-Y
Q3	3011015012	PNP 28A1015-Y
Q4	3011015012	PNP 28A1015-Y
Q5	3031815018	NPN 28C1815-Y
Q6	3031815018	NPN 28C1815-Y
Q7	3031815018	NPN 28C1815-Y
Q8	3031815018	NPN 28C1815-Y
Q9	3032240000	NPN 282240-BL
Q10	3032671007	NPN 28C2671
Q11	3032671007	NPN 28C2671
Q12	3032671007	NPN 28C2671
Q13	3032671007	NPN 28C2671
Q14	3032671007	NPN 28C2671
Q15	3032671007	NPN 28C2671
Q16	3032671007	NPN 28C2671
Q17	3032671007	NPN 28C2671
Q18	3032671007	NPN 28C2671
Q19	3032671007	NPN 28C2671
Q20	3032671007	NPN 28C2671
Q21	3032671007	NPN 28C2671
Q22	3032671007	NPN 28C2671
Q23	3030495001	NPN 28C495-Y
Q24	3031907004	NPN 28C1907
Q25	3031907004	NPN 28C1907
Q26	3032671007	NPN 28C2671
Q27	3050030001	FET 28K30A-GR
Q28	3031907004	NPN 28C1907
Q29	3031907004	NPN 28C1907
Q30	3031907004	NPN 28C1907
Q31	3032671007	NPN 28C2671
Q32	3032671007	NPN 28C2671
Q33	3011015012	PNP 28A1015-Y
Q34	3031815018	NPN 28C1815-Y
Q35	3031815018	NPN 28C1815-Y
Q36	3031907004	NPN 28C1907
Q37	3031907004	NPN 28C1907
Q38	3031907004	NPN 28C1907
Q39	3032671007	NPN 28C2671
Q40	3032851009	NPN 28C851
Q41	3032952005	NPN 28C952
Q42	3050030001	FET 28K30A-GR
Q43	3050030001	FET 28K30A-GR

No.	LDR PT No.	DESCRIPTION
Q44	3011015012	PNP 28A1015-Y
Q45	3011015012	PNP 28A1015-Y

< DIODES >

D1	3120057008	Zener RD5.6EB 5.6V
D2	3110006004	Det 1S1588
D3	3110006004	Det 1S1588
D4	3140024007	Varicap MA322
D5	3140024007	Varicap MA322
D6	3140024007	Varicap MA322
D7	3140024007	Varicap MA322
D8	3140024007	Varicap MA322
D9	3140024007	Varicap MA322
D10	3140024007	Varicap MA322
D11	3140024007	Varicap MA322
D12	3140024007	Varicap MA322
D13	3140024007	Varicap MA322
D14	3140024007	Varicap MA322
D15	3140024007	Varicap MA322
D16	3140024007	Varicap MA322
D17	3140024007	Varicap MA322
D18	3140024007	Varicap MA322
D19	3140024007	Varicap MA322
D20	3140019004	Varicap 1SV68
D21	3140019004	Varicap 1SV68
D22	3140019004	Varicap 1SV68
D23	3140019004	Varicap 1SV68
D24	3140019004	Varicap 1SV68
D25	3140019004	Varicap 1SV68
D26	3140019004	Varicap 1SV68
D27	3140019004	Varicap 1SV68
D28	3120057008	Zener RD5.6EB 5.6V
D29	3140021001	Pin 1SV80
D30	3110006004	Det 1S1588
D31	3110006004	Det 1S1588
D32	3110006004	Det 1S1588
D33	3110006004	Det 1S1588
D34	3110015005	Det 18S16
D35	3110006004	Det 1S1588
D36	3110006004	Det 1S1588
D37	3110006004	Det 1S1588
D38	3110006004	Det 1S1588
D39	3110006004	Det 1S1588
D40	3110006004	Det 1S1588
D41	3110006004	Det 1S1588
D42	3110006004	Det 1S1588

< ICs >

IC1	3310050995	C MOS 4051
IC2	3220048005	Op amp TL081CP

< X'TAL >

X1	3500452002	NC-18C 85MHz
----	------------	--------------

No. LDR PT No. DESCRIPTION

< COILS >

L1	3910479001	Coil	4.7 μ H
L2	3910479001	Coil	4.7 μ H
L3	3910479001	Coil	4.7 μ H
L4	3910479001	Coil	4.7 μ H
L5	3910479001	Coil	4.7 μ H
L6	3910479001	Coil	4.7 μ H
L7	3900704005	Transformer	
L8	3900403003	Transformer	0.17 μ H
L9	3900403003	Transformer	0.17 μ H
L10	3900665001	Transformer	0.13 μ H
L11	---		
L12	---		
L13	---		
L14	---		
L15	3900631004	Coil	0.069 μ H
L16	3900631004	Coil	0.069 μ H
L17	3900307005	Transformer	0.25 μ H
L18	3960108001	Coil	0.1 μ H
L19	3960228001	Coil	0.22 μ H
L20	3960228001	Coil	0.22 μ H
L21	3910101002	Coil	100 μ H
L22	3910820004	Coil	82 μ H
L23	3960108001	Coil	0.1 μ H
L24	3960278006	Coil	0.27 μ H
L25	3930102008	Coil	1 μ H
L26	3930102008	Coil	1 μ H
L27	3910101002	Coil	100 μ H
L28	3910101002	Coil	100 μ H
L29	3910101002	Coil	100 μ H
L30	3910101002	Coil	100 μ H
L31	3910101002	Coil	100 μ H
L32	3992002008	Coil	30 μ H
L33	3992002008	Coil	30 μ H
L34	3910101002	Coil	100 μ H

< RELAYS >

K1	4080046006	AG2329
K2	4080046006	AG2329
K3	4080046006	AG2329
K4	4080046006	AG2329
K5	4080046006	AG2329

< PC BOARD >

5902980036 T-2980

No. LDR PT No. DESCRIPTION

MAIN BOARD (T-3060)

< RESISTORS >

R1	1010471005	Carbon film	1/4W	470 Ω	5X
R2	---				
R3	1010104008	Carbon film	1/4W	100k Ω	5X
R4	1010103006	Carbon film	1/4W	10k Ω	5X
R5	1010104008	Carbon film	1/4W	100k Ω	5X
R6	1010103006	Carbon film	1/4W	10k Ω	5X
R7	---				
R8	1010103006	Carbon film	1/4W	10k Ω	5X
R9	1010103006	Carbon film	1/4W	10k Ω	5X
R10	1010223006	Carbon film	1/4W	22k Ω	5X
R11	1010104008	Carbon film	1/4W	100k Ω	5X
R12	1010472007	Carbon film	1/4W	4.7k Ω	5X
R13	1010103006	Carbon film	1/4W	10k Ω	5X
R14	1010104008	Carbon film	1/4W	100k Ω	5X
R15	1010104008	Carbon film	1/4W	100k Ω	5X
R16	1010104008	Carbon film	1/4W	100k Ω	5X
R17	1010104008	Carbon film	1/4W	100k Ω	5X
R18	1010103006	Carbon film	1/4W	10k Ω	5X
R19	1010103006	Carbon film	1/4W	10k Ω	5X
R20	1010473009	Carbon film	1/4W	47k Ω	5X
R21	1010473009	Carbon film	1/4W	47k Ω	5X
R22	1010103006	Carbon film	1/4W	10k Ω	5X
R23	1010103006	Carbon film	1/4W	10k Ω	5X
R24	1010103006	Carbon film	1/4W	10k Ω	5X
R25	1010273001	Carbon film	1/4W	27k Ω	5X
R26	1010103006	Carbon film	1/4W	10k Ω	5X
R27	1010104008	Carbon film	1/4W	100k Ω	5X
R28	1010103006	Carbon film	1/4W	10k Ω	5X
R29	1010104008	Carbon film	1/4W	100k Ω	5X
R30	1010104008	Carbon film	1/4W	100k Ω	5X
R31	1010101002	Carbon film	1/4W	100 Ω	5X
R32	1010221002	Carbon film	1/4W	220 Ω	5X
R33	1010102004	Carbon film	1/4W	1k Ω	5X
R34	1010391007	Carbon film	1/4W	390 Ω	5X
R35	1010103006	Carbon film	1/4W	10k Ω	5X
R36	1010104008	Carbon film	1/4W	100k Ω	5X
R37	1010104008	Carbon film	1/4W	100k Ω	5X
R38	1010103006	Carbon film	1/4W	10k Ω	5X
R39	1010104008	Carbon film	1/4W	100k Ω	5X
R40	1010103006	Carbon film	1/4W	10k Ω	5X
R41	1010562008	Carbon film	1/4W	5.6k Ω	5X
R42	1010153001	Carbon film	1/4W	15k Ω	5X
R43	1010104008	Carbon film	1/4W	100k Ω	5X
R44	1010104008	Carbon film	1/4W	100k Ω	5X
R45	1010104008	Carbon film	1/4W	100k Ω	5X
R46	1010102004	Carbon film	1/4W	1k Ω	5X
R47	1010472007	Carbon film	1/4W	4.7k Ω	5X
R48	---				
R49	---				
R50	---				
R51	---				
R52	1010104008	Carbon film	1/4W	100k Ω	5X
R53	---				
R54	---				
R55	1010104008	Carbon film	1/4W	100k Ω	5X

No.	LDR PT No.	DESCRIPTION			
R56	1010103006	Carbon film	1/4W	10k Ω	5X
R57	1010103006	Carbon film	1/4W	10k Ω	5X
R58	1010104008	Carbon film	1/4W	100k Ω	5X
R59	1010103006	Carbon film	1/4W	10k Ω	5X
R60	1010104008	Carbon film	1/4W	100k Ω	5X
R61	1010104008	Carbon film	1/4W	100k Ω	5X
R62	1010104008	Carbon film	1/4W	100k Ω	5X
R63	1010103006	Carbon film	1/4W	10k Ω	5X
R64	1010104008	Carbon film	1/4W	100k Ω	5X
R65	1010153001	Carbon film	1/4W	15k Ω	5X
R66	1010103006	Carbon film	1/4W	10k Ω	5X
R67	1010104008	Carbon film	1/4W	100k Ω	5X
R68	1010472007	Carbon film	1/4W	4.7k Ω	5X
R69		---			
R70	1010479001	Carbon film	1/4W	4.7 Ω	5X
R71	1010563000	Carbon film	1/4W	56k Ω	5X
R72	1010103006	Carbon film	1/4W	10k Ω	5X
R73	1010223006	Carbon film	1/4W	22k Ω	5X
R74	1010562008	Carbon film	1/4W	5.6k Ω	5X
R75	1010471005	Carbon film	1/4W	470 Ω	5X
R76	1010103006	Carbon film	1/4W	10k Ω	5X
R77	1010103006	Carbon film	1/4W	10k Ω	5X
R78	1010104008	Carbon film	1/4W	100k Ω	5X
R79	1010104008	Carbon film	1/4W	100k Ω	5X
R80	1000104001	Carbon film	1/6W	100k Ω	5X
R81	1000104001	Carbon film	1/6W	100k Ω	5X
R82	1000104001	Carbon film	1/6W	100k Ω	5X
R83	1010104008	Carbon film	1/4W	100k Ω	5X
R84	1000103009	Carbon film	1/6W	10k Ω	5X
R85	1000103009	Carbon film	1/6W	10k Ω	5X

< NETWORK RESISTORS >

RA1	1532471001	Carbon film	1/8W	470 Ω	10X
RA2	1532471001	Carbon film	1/8W	470 Ω	10X
RA3	1532471001	Carbon film	1/8W	470 Ω	10X
RA4	1532471001	Carbon film	1/8W	470 Ω	10X
RA5	1532471001	Carbon film	1/8W	470 Ω	10X
RA6	1532471001	Carbon film	1/8W	470 Ω	10X
RA7	1532471001	Carbon film	1/8W	470 Ω	10X
RA8	1532471001	Carbon film	1/8W	470 Ω	10X
RA9	1515104008	Carbon film	1/8W	100k Ω	10X
RA10	1532103002	Carbon film	1/8W	10k Ω	10X
RA11	1532471001	Carbon film	1/8W	470 Ω	10X
RA12	1532471001	Carbon film	1/8W	470 Ω	10X
RA13	1515104008	Carbon film	1/8W	100k Ω	10X
RA14	1532103002	Carbon film	1/8W	10k Ω	10X
RA15	1532103002	Carbon film	1/8W	10k Ω	10X
RA16	1515104008	Carbon film	1/8W	100k Ω	10X
RA17	1532103002	Carbon film	1/8W	10k Ω	10X
RA18	1532103002	Carbon film	1/8W	10k Ω	10X
RA19	1515104008	Carbon film	1/8W	100k Ω	10X
RA20	1515104008	Carbon film	1/8W	100k Ω	10X
RA21	1532103002	Carbon film	1/8W	10k Ω	10X
RA22	1515104008	Carbon film	1/8W	100k Ω	10X
RA23	1515102004	Carbon film	1/8W	1k Ω	10X

No.	LDR PT No.	DESCRIPTION			
< CAPACITORS >					
C1	2110101009	Mica	50V	100 pF	10X
C2	2220330009	Electrolytic	50V	33 μF	20X
C3	2010102993	Ceramic	50V	1000 pF	10X
C4	2220330009	Electrolytic	50V	33 μF	20X
C5	2010103995	Ceramic	50V	0.01 μF	10X
C6	2010103995	Ceramic	50V	0.01 μF	10X
C7	2140223013	Plastic film	50V	0.022 μF	10X
C8	2140223013	Plastic film	50V	0.022 μF	10X
C9	2010103995	Ceramic	50V	0.01 μF	10X
C10	2010103995	Ceramic	50V	0.01 μF	10X
C11	2010103995	Ceramic	50V	0.01 μF	10X
C12	2010103995	Ceramic	50V	0.01 μF	10X
C13	2010102993	Ceramic	50V	1000 pF	10X
C14	2110101009	Mica	50V	100 pF	10X
C15	2010103995	Ceramic	50V	0.01 μF	10X
C16	2530330002	Tantalum	50V	33 μF	20X
C17	2010103995	Ceramic	50V	0.01 μF	10X
C18	2220330009	Electrolytic	50V	33 μF	20X
C19	2140102011	Plastic film	50V	1000 pF	10X
C20	2140102011	Plastic film	50V	1000 pF	10X
C21	2010103995	Ceramic	50V	0.01 μF	10X
C22	2010103995	Ceramic	50V	0.01 μF	10X
C23	2010103995	Ceramic	50V	0.01 μF	10X
C24	2140562015	Plastic film	50V	0.056 μF	10X
C25	2140130131	Plastic film	50V	0.01 μF	10X
C26	2010103995	Ceramic	50V	0.01 μF	10X
C27	2140130131	Plastic film	50V	0.01 μF	10X
C28	2140130131	Plastic film	50V	0.01 μF	10X
C29	2010103995	Ceramic	50V	0.01 μF	10X
C30	2010103995	Ceramic	50V	0.01 μF	10X
C31	2010103995	Ceramic	50V	0.01 μF	10X
C32	2110101009	Mica	50V	100 pF	10X
C33	2110101009	Mica	50V	100 pF	10X
C34	2010103995	Ceramic	50V	0.01 μF	10X
C35	2010103995	Ceramic	50V	0.01 μF	10X
C36	2010103995	Ceramic	50V	0.01 μF	10X
C37	2010103995	Ceramic	50V	0.01 μF	10X
C38	2010103995	Ceramic	50V	0.01 μF	10X
C39	2010103995	Ceramic	50V	0.01 μF	10X
C40	2010103995	Ceramic	50V	0.01 μF	10X
C41	2010103995	Ceramic	50V	0.01 μF	10X
C42	2010103995	Ceramic	50V	0.01 μF	10X
C43	2010103995	Ceramic	50V	0.01 μF	10X
C44	2010103995	Ceramic	50V	0.01 μF	10X
C45	2010103995	Ceramic	50V	0.01 μF	10X
C46	2010103995	Ceramic	50V	0.01 μF	10X
C47	2010103995	Ceramic	50V	0.01 μF	10X
C48	2010103995	Ceramic	50V	0.01 μF	10X
C49	2010103995	Ceramic	50V	0.01 μF	10X
C50	2010103995	Ceramic	50V	0.01 μF	10X
C51	2010103995	Ceramic	50V	0.01 μF	10X
C52	2010102993	Ceramic	50V	1000 pF	10X
C53	2110101009	Mica	50V	100 pF	10X

No.	LDR PT No.	DESCRIPTION
< TRANSISTORS >		
Q1	3031815018	NPN 2SC1815-Y
Q2	3031815018	NPN 2SC1815-Y
Q3	3031815018	NPN 2SC1815-Y
Q4	3031815018	NPN 2SC1815-Y
Q5	3031815018	NPN 2SC1815-Y
Q6	3031815018	NPN 2SC1815-Y
Q7	3031815018	NPN 2SC1815-Y
Q8	3031815018	NPN 2SC1815-Y
Q9	3031815018	NPN 2SC1815-Y
Q10	3031815018	NPN 2SC1815-Y
Q11	3011015012	PNP 2SA1015-Y
Q12	3031815018	NPN 2SC1815-Y
Q13	3010505004	PNP 2SA505-Y
Q14	3031815018	NPN 2SC1815-Y
Q15	3031815018	NPN 2SC1815-Y
Q16	3031815018	NPN 2SC1815-Y

No.	LDR PT No.	DESCRIPTION
< DIODES >		
D1	3120067001	Zener RD3.0EB 3V
D2	3110006004	Det 1S1588
D3	3110006004	Det 1S1588
D4	3110006004	Det 1S1588
D5	3110006004	Det 1S1588

No.	LDR PT No.	DESCRIPTION
< ICs >		
IC1	3330025008	C MOS 5022
IC2	3330015008	C MOS 5022
IC3	3330015008	C MOS 5022
IC4	3330015008	C MOS 5022
IC5	3330015008	C MOS 5022
IC6	3330015008	C MOS 5022
IC7		---
IC8		---
IC9	3350241008	C2 MOS 40H241
IC10	3350241008	C2 MOS 40H241
IC11	3350241008	C2 MOS 40H241
IC12	3350241008	C2 MOS 40H241
IC13	3310049998	C MOS 4049
IC14	3310071991	C MOS 4071
IC15	3320010998	C MOS 4510
IC16	3320010998	C MOS 4510
IC17	3320010998	C MOS 4510
IC18	3320010998	C MOS 4510
IC19	3320010998	C MOS 4510
IC20	3320010998	C MOS 4510
IC21	3320016990	C MOS 4516
IC22	3320010998	C MOS 4510
IC23	3320084007	C MOS 4584
IC24	3310001990	C MOS 4001
IC25	3310081994	C MOS 4081
IC26	3310081994	C MOS 4081
IC27	3310093991	C MOS 4093
IC28	3310071991	C MOS 4071
IC29	3310017995	C MOS 4017
IC30	3310049998	C MOS 4049

No.	LDR PT No.	DESCRIPTION
IC31	3310011993	C MOS 4011
IC32	3320061995	C MOS 4561
IC33	3320060993	C MOS 4560
IC34	3330017009	EP ROM 462716
IC35	3310050993	C MOS 4050
IC36	3310050993	C MOS 4050
IC37	3310013997	C MOS 4013
IC38	3310093991	C MOS 4093
IC39		---
IC40	3320060993	C MOS 4560
IC41		---
IC42	3310071991	C MOS 4071
IC43	3310019999	C MOS 4019
IC44	3310011993	C MOS 4011
IC45	3310071991	C MOS 4071
IC46	3320084007	C MOS 4584
IC47	3310071991	C MOS 4071
IC48	3310013997	C MOS 4013
IC49	3310050993	C MOS 4050
IC50	3310081994	C MOS 4081
IC51	3310049998	C MOS 4049
IC52	3310071991	C MOS 4071
IC53	3310001990	C MOS 4001
IC54	3320028997	C MOS 4528
IC55	3260012992	TTL 74LS12
IC56	3260012992	TTL 74LS12
IC57	3330027002	C MOS ROM 6116
IC58	3310071991	C MOS 4071
IC59	3310013997	C MOS 4013
IC60	3310081994	C MOS 4081
IC61	3320014996	C MOS 4514
IC62	3310019999	C MOS 4019
IC63	3310049998	C MOS 4049
IC64	3350241008	C2 MOS 40H241
IC65	3320032998	C MOS 4532
IC66	3320010998	C MOS 4510
IC67	3310081994	C MOS 4081
IC68	3310071991	C MOS 4071
IC69	3310071991	C MOS 4071
IC70		---
IC71	3310047994	C MOS 4047
IC72	3320032998	C MOS 4532
IC73	3310017995	C MOS 4017
IC74	3310081994	C MOS 4081
IC75	3310049998	C MOS 4049
IC76	3330026000	C MOS 5025
IC77		---
IC78	3310013997	C MOS 4013
IC79	3310013997	C MOS 4013
IC80		---
IC81	3310013997	C MOS 4013
IC82		---
IC83	3350241008	C2 MOS 40H241
IC84	3310049998	C MOS 4049
IC85	3330015008	C MOS 5022
IC86	3330015008	C MOS 5022
IC87	2320010998	C MOS 4510
IC88	3320010998	C MOS 4510

No.	LDR PT No.	DESCRIPTION
IC89	3310063992	C MOS 4063
IC90	3310063992	C MOS 4063
IC91	3310063992	C MOS 4063
IC92	3310063992	C MOS 4063

< PC BOARD >

5900360021 T-3060

CONTROL BOARD (T-2965)

< RESISTORS >

No.	LDR PT No.	DESCRIPTION
R1	1000471008	Carbon film 1/6W 470Ω 5%
R2	1000471008	Carbon film 1/6W 470Ω 5%
R3	1000471008	Carbon film 1/6W 470Ω 5%
R4	1000471008	Carbon film 1/6W 470Ω 5%
R5	1000471008	Carbon film 1/6W 470Ω 5%
R6	1000103009	Carbon film 1/6W 10KΩ 5%
R7	1000103009	Carbon film 1/6W 10KΩ 5%
R8	1010221002	Carbon film 1/4W 220Ω 5%
R9	1010471005	Carbon film 1/4W 470Ω 5%
R10	1000474004	Carbon film 1/6W 470KΩ 5%
R11	1000104001	Carbon film 1/6W 100KΩ 5%
R12	1000103009	Carbon film 1/6W 10KΩ 5%

< NETWORK RESISTORS >

No.	LDR PT No.	DESCRIPTION
RA1	1515472007	Carbon film 1/8W 4.7KΩ 10%
RA2	1515104008	Carbon film 1/8W 100KΩ 10%
RA3	1515472007	Carbon film 1/8W 4.7KΩ 10%
RA4	1511104004	Carbon film 1/8W 100KΩ 10%
RA5	1511104004	Carbon film 1/8W 100KΩ 10%
RA6	1515104008	Carbon film 1/8W 100KΩ 10%
RA7	1515472007	Carbon film 1/8W 4.7KΩ 10%

< CAPACITORS >

No.	LDR PT No.	DESCRIPTION
C1	2010103995	Ceramic 50V 0.01μF 10%
C2	2010103995	Ceramic 50V 0.01μF 10%
C3	2010103995	Ceramic 50V 0.01μF 10%
C4	2010103995	Ceramic 50V 0.01μF 10%
C5	2010103995	Ceramic 50V 0.01μF 10%
C6	2010103995	Ceramic 50V 0.01μF 10%
C7	2010103995	Ceramic 50V 0.01μF 10%
C8	2010103995	Ceramic 50V 0.01μF 10%
C9	2140104015	Ceramic 50V 0.1μF 10%
C10	2140102011	Ceramic 50V 1000 pF 10%
C11	2010103995	Ceramic 50V 0.01μF 10%
C12	---	---
C13	2010103995	Ceramic 50V 0.01μF 10%

No.	LDR PT No.	DESCRIPTION
< TRANSISTORS >		
Q1	3031815018	NPN 29C1815-Y
Q2	3031815018	NPN 29C1815-Y
Q3	3031815018	NPN 29C1815-Y

< ICs >

No.	LDR PT No.	DESCRIPTION
IC1	3330025008	C MOS 5022
IC2	3330017009	EP ROM 462716
IC3	3330025008	C MOS 5022
IC4	3330017009	EP ROM 462716
IC5	3330017009	EP ROM 462716
IC6	3310011993	C MOS 4011
IC7	3310093991	C MOS 4093
IC8	3310093991	C MOS 4093
IC9	3310047994	C MOS 4047
IC10	3310071991	C MOS 4071

< PC BOARD >

5902965021 T-2965

DISPLAY BOARD-1 (T-3164)

< RESISTORS >

No.	LDR PT No.	DESCRIPTION
R1	1010471005	Carbon film 1/4W 470Ω 5%
R2	1010471005	Carbon film 1/4W 470Ω 5%
R3	1010471005	Carbon film 1/4W 470Ω 5%
R4	1010471005	Carbon film 1/4W 470Ω 5%
R5	1010471005	Carbon film 1/4W 470Ω 5%
R6	1010471005	Carbon film 1/4W 470Ω 5%
R7	1010471005	Carbon film 1/4W 470Ω 5%
R8	1010471005	Carbon film 1/4W 470Ω 5%
R9	1010471005	Carbon film 1/4W 470Ω 5%
R10	1010471005	Carbon film 1/4W 470Ω 5%

< CAPACITORS >

No.	LDR PT No.	DESCRIPTION
C1	2010103995	Ceramic 50V 0.01μF 10%
C2	2010103995	Ceramic 50V 0.01μF 10%

< DIODES >

No.	LDR PT No.	DESCRIPTION
D1	3130043004	LED LN5136K 7 segment
D2	3130043004	LED LN5136K 7 segment
D3	3130031007	LED TL8-226
D4	3130031007	LED TL8-226
D5	3130044006	LED LN5146K 7 segment
D6	3130031007	LED TL8-226
D7	3130044006	LED LN5146K 7 segment
D8	3130031007	LED TL8-226
D9	3130044006	LED LN5146K 7 segment
D10	3130031007	LED TL8-226
D11	3130044006	LED LN5146K 7 segment
D12	3130031007	LED TL8-226

No.	LDR PT No.	DESCRIPTION		
D13	3130044006	LED	LN5148K	7 segment
D14	3130031007	LED	TL6-226	
D15	3130044006	LED	LN5148K	7 segment
D16	3130044006	LED	LN5148K	7 segment
D17	3130044006	LED	LN5148K	7 segment
D18	3130044006	LED	LN5148K	7 segment
D19	3130031007	LED	TL6-226	
D20	3130031007	LED	TL6-226	
D21	3130031007	LED	TL6-226	

< SWITCHES >

S1	4021006008	Push	KEF10903
S2	4021006008	Push	KEF10903
S3	4021006008	Push	KEF10903
S4	4021006008	Push	KEF10903
S5	4021006008	Push	KEF10903
S6	4021006008	Push	KEF10903
S7	4021006008	Push	KEF10903
S8	4021006008	Push	KEF10903
S9	4021006008	Push	KEF10903
S10	4021006008	Push	KEF10903
S11	4021006008	Push	KEF10903
S12	4021006008	Push	KEF10903
S13	4021006008	Push	KEF10903
S14	4021006008	Push	KEF10903
S15	4021006008	Push	KEF10903
S16	4021006008	Push	KEF10903
S17		---	
S18	4021006008	Push	KEF10903
S19		---	
S20	4021006008	Push	KEF10903
S21	4021006008	Push	KEF10903
S22	4021006008	Push	KEF10903
S23	4021006008	Push	KEF10903
S24	4010063007	Rotary	SBU-102C
S25	4010063007	Rotary	SBU-102C
S26	4010063007	Rotary	SBU-102C

< PC BOARD >

5903164005 T-3164

DISPLAY BOARD-2 (T-3061)

< RESISTORS >

R1	1010471005	Carbon film	1/4W	470Ω	5X
R2	1010471005	Carbon film	1/4W	470Ω	5X
R3		---			
R4	1010471005	Carbon film	1/4W	470Ω	5X
R5	1010471005	Carbon film	1/4W	470Ω	5X
R6		---			
R7		---			
R8	1010471005	Carbon film	1/4W	470Ω	5X
R9	1010471005	Carbon film	1/4W	470Ω	5X

No.	LDR PT No.	DESCRIPTION			
R10		---			
R11		---			
R12	1010561006	Carbon film	1/4W	560Ω	5X

< VARIABLE RESISTORS >

VR1	1815013009	Carbon film	1/10W	2kΩ	
VR2	1815013009	Carbon film	1/10W	2kΩ	

< CAPACITORS >

C1	2010103995	Ceramic	50V	0.01μF	10X
----	------------	---------	-----	--------	-----

< DIODES >

D1	3130031007	LED	TL6-226
D2	3130031007	LED	TL6-226
D3		---	
D4	3130031007	LED	TL6-226
D5	3130031007	LED	TL6-226
D6		---	
D7		---	
D8	3130031007	LED	TL6-226
D9	3130031007	LED	TL6-226

< SWITCHES >

S1	4021006008	Push	KEF10903
S2	4021006008	Push	KEF10903
S3	4021006008	Push	KEF10903
S4	4021006008	Push	KEF10903
S5		---	
S6		---	
S7	4021006008	Push	KEF10903
S8	4021006008	Push	KEF10903

< METER >

M1	4210070000	100μA	
----	------------	-------	--

< PC BOARD >

5903061005 T-3061

ATTENUATOR

< RESISTORS >

R1	1359629000	Metal film	1/8W	96.2Ω	1X
R2	1357129008	Metal film	1/8W	71.2Ω	1X
R3	1359629000	Metal film	1/8W	96.2Ω	1X
R4	1356119009	Metal film	1/8W	61.1Ω	1X
R5	1352480000	Metal film	1/8W	248Ω	1X
R6	1356119009	Metal film	1/8W	61.1Ω	1X
R7	1355109000	Metal film	1/8W	51Ω	1X
R8	1352501002	Metal film	1/8W	2.5kΩ	1X

No.	LDR PT No.	DESCRIPTION
R9	1355109000	Metal film 1/8W 51Ω 1X
R10	1355109000	Metal film 1/8W 51Ω 1X
R11	1352501002	Metal film 1/8W 2.5kΩ 1X
R12	1355109000	Metal film 1/8W 51Ω 1X

< CAPACITORS >

C1	2010103995	Ceramic 50V 0.01μF 10X
C2	2010103995	Ceramic 50V 0.01μF 10X
C3	2010103995	Ceramic 50V 0.01μF 10X
C4	2010103995	Ceramic 50V 0.01μF 10X
C5	2120010003	Mica 500V 1 pF 10X
C6	2120010003	Mica 500V 3 pF 10X
C7	2120010003	Mica 500V 1 pF 10X
C8	2090216004	Feedthrough 300V 1000 pF
C9	2090216004	Feedthrough 300V 1000 pF
C10	2090216004	Feedthrough 300V 1000 pF
C11	2090216004	Feedthrough 300V 1000 pF
C12	2120010003	Mica 500V 3 pF 10X

< DIODES >

D1	3110006004	Det 1S1588
D2	3110006004	Det 1S1588
D3	3110006004	Det 1S1588
D4	3110006004	Det 1S1588

< COILS >

L1	3910101002	Coil 100μH
L2	3910101002	Coil 100μH
L3	3910101002	Coil 100μH
L4	3910101002	Coil 100μH

< RELAYS >

K1	4080047008	NR-SD-5V (AE5649)
K2	4080047008	NR-SD-5V (AE5649)
K3	4080047008	NR-SD-5V (AE5649)
K4	4080047008	NR-SD-5V (AE5649)
K5	4080047008	NR-SD-5V (AE5649)
K6	4080047008	NR-SD-5V (AE5649)
K7	4080047008	NR-SD-5V (AE5649)
K8	4080047008	NR-SD-5V (AE5649)

< PC BOARDS >

5902583009	T-2583	10dB
5902583009	T-2583	20dB
5902583009	T-2583	40dB
5902583009	T-2583	40dB

No.	LDR PT No.	DESCRIPTION
MAIN FRAME		

< CAPACITORS >

C1	2090006003	Ceramic 3kv 1000 pF 10X
C2	2090006003	Ceramic 3kv 1000 pF 10X
C3	2020103002	Ceramic 500v 10000 pF 10X
C4	2020103002	Ceramic 500v 10000 pF 10X
C5	2020103002	Ceramic 500v 10000 pF 10X
C6	2020103002	Ceramic 500v 10000 pF 10X

< DIODES >

D1	3110006004	Det 1S1588
D2	3110006004	Det 1S1588
D3	3110006004	Det 1S1588
D4	3110006004	Det 1S1588
D5	3110006004	Det 1S1588
D6	3110006004	Det 1S1588
D7	3110006004	Det 1S1588
D8	3110006004	Det 1S1588
D9	3110006004	Det 1S1588
D10	3110006004	Det 1S1588
D11	3110006004	Det 1S1588
D12	3110006004	Det 1S1588
D13	3110006004	Det 1S1588
D14	3110006004	Det 1S1588
D15	3110006004	Det 1S1588
D16	3110006004	Det 1S1588

< TRANSFORMER >

PT1	3800464003	J-464
-----	------------	-------

< SWITCHES >

S1	4020138009	Push
S2	4070012002	Thumb-wheel
S3	4070012002	Thumb-wheel
S4	4070012002	Thumb-wheel
S5	4070012002	Thumb-wheel

< FUSE >

F1	4361709004	Time lag 0.63R (100V - 120V)
	4361105006	Time lag 0.315R (200V - 240V)