



KENWOOD
HI/FI STEREO COMPONENTS

SERVICE MANUAL

KR - 3200

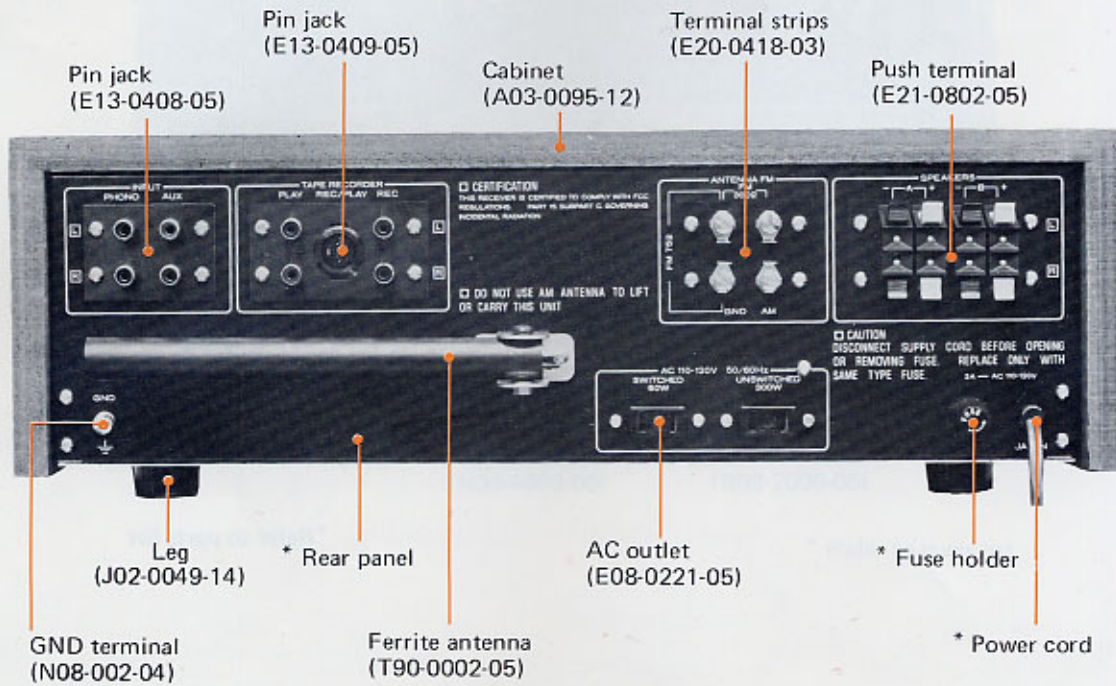
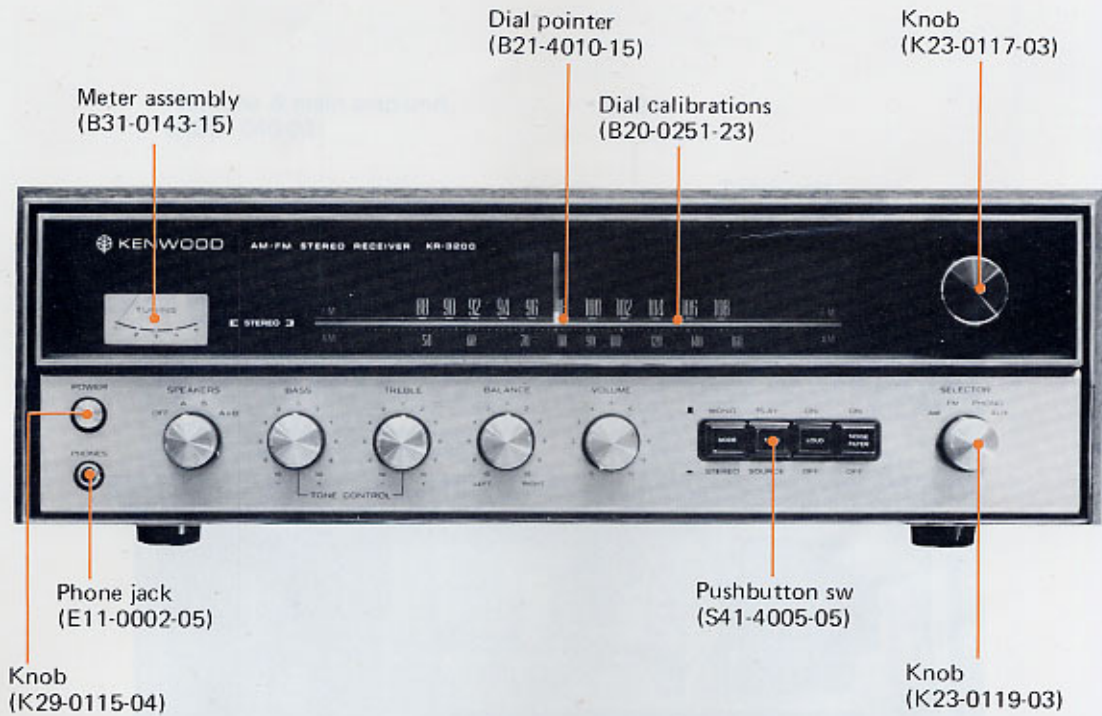


STEREO RECEIVER

CONTENTS

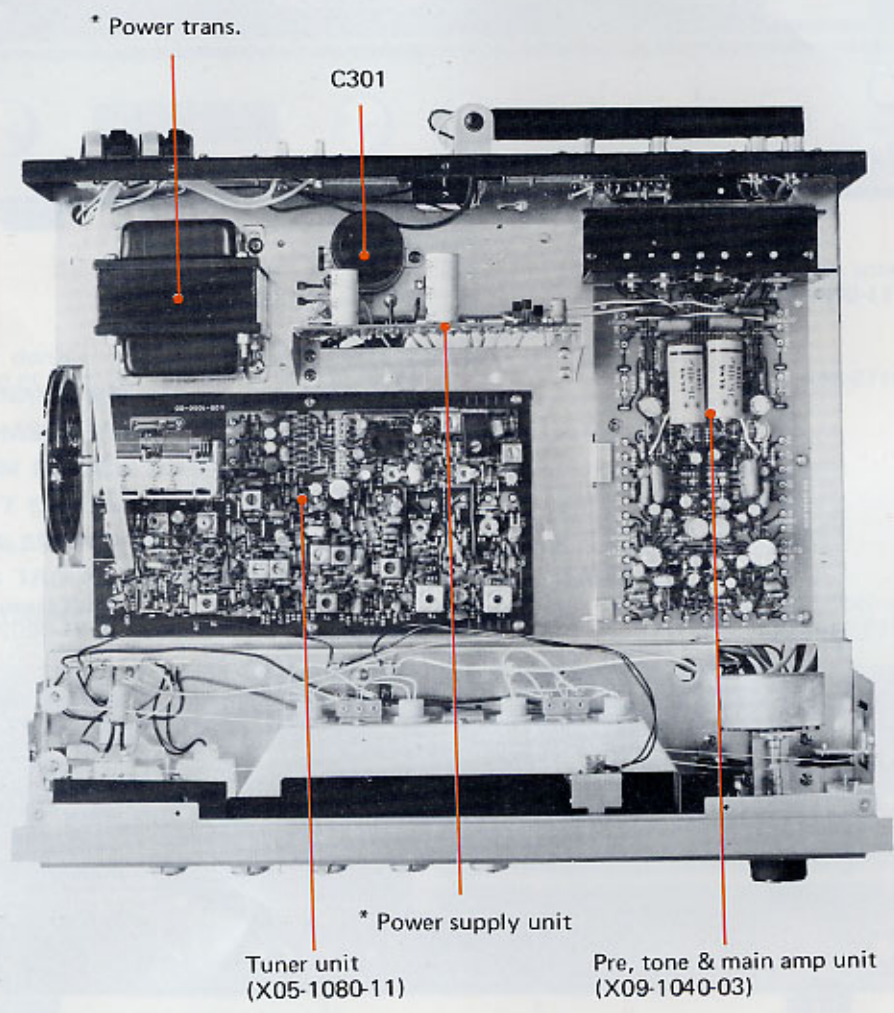
EXTERNAL VIEW	3
TOP CHASSIS VIEW	4
BOTTOM CHASSIS VIEW	5
CIRCUIT DESIGN	6
TROUBLESHOOTING	7
TUNER TROUBLESHOOTING	8
ADJUSTMENT	
ADJUSTMENT OF TUNER SECTION	9 ~ 12
ADJUSTMENT OF AUDIO SECTION	13
DISASSEMBLY OF KR-3200	14
MOUNTING TEMPLATE	15
DIAL CORD STRINGING & TRANSISTOR LEADS	16
SUBSTITUTION TRANSISTORS	17
PARTS LIST	18 ~ 20
POWER SUPPLY (X00-1210-10 or 01)	21
TUNER (X05-1080-11)	22 ~ 25
PRE, TONE & MAIN (X09-1040-03)	26, 27
PUSHBUTTON SW (X13-1320-11)	28
PC BOARD	
TUNER	29
MAIN	29
POWER SUPPLY	30
PUSHBUTTON SW	30
BLOCK DIAGRAM	31
CIRCUIT DIAGRAM	31
COLOR CODE	32
SPECIFICATIONS	33

EXTERNAL VIEW



* Refer to parts list

TOP CHASSIS VIEW



* Power trans.

C301

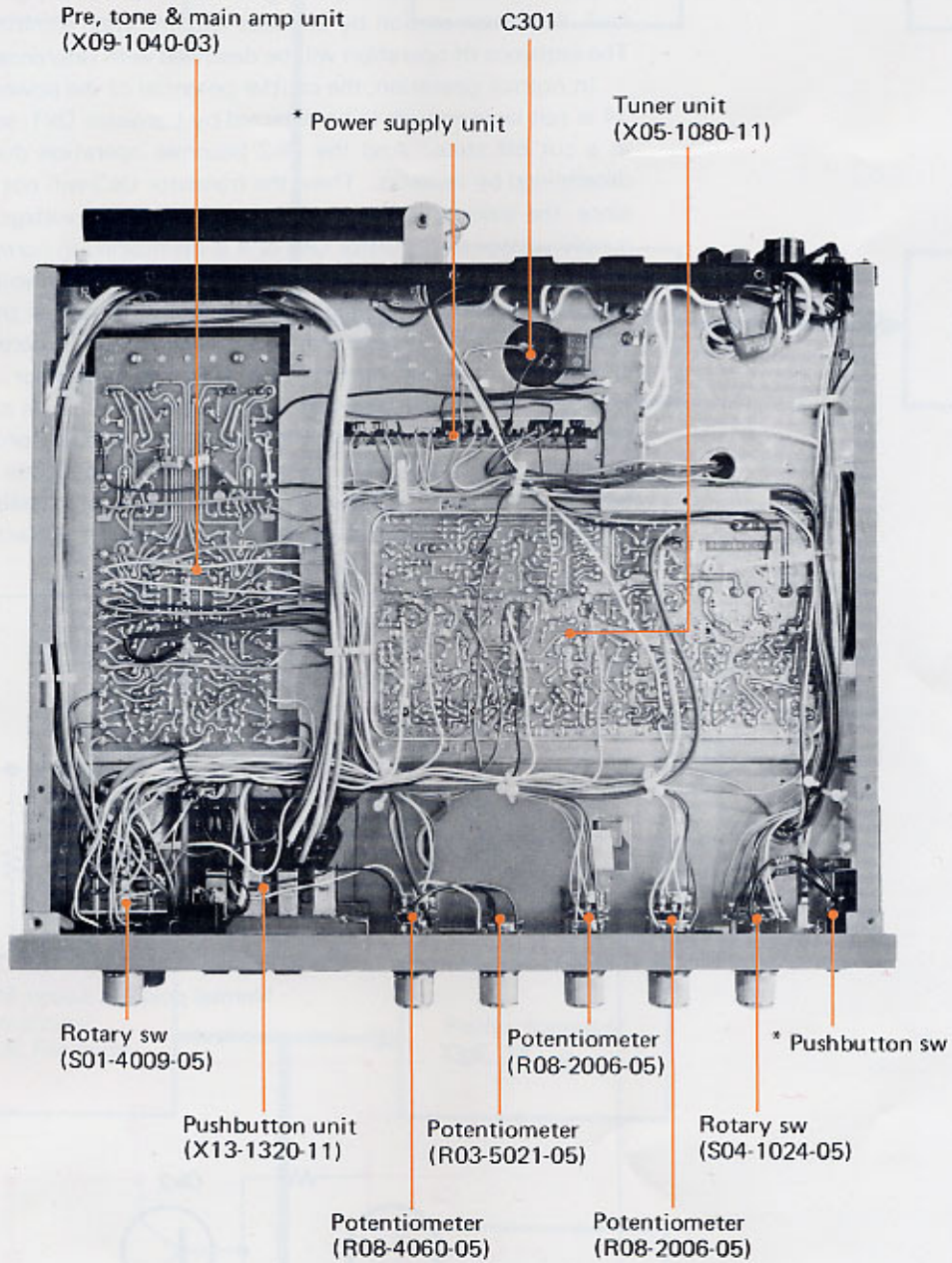
Tuner unit
(X05-1080-11)

* Power supply unit

Pre, tone & main amp unit
(X09-1040-03)

* Refer to parts list

BOTTOM CHASSIS VIEW



* Refer to parts list

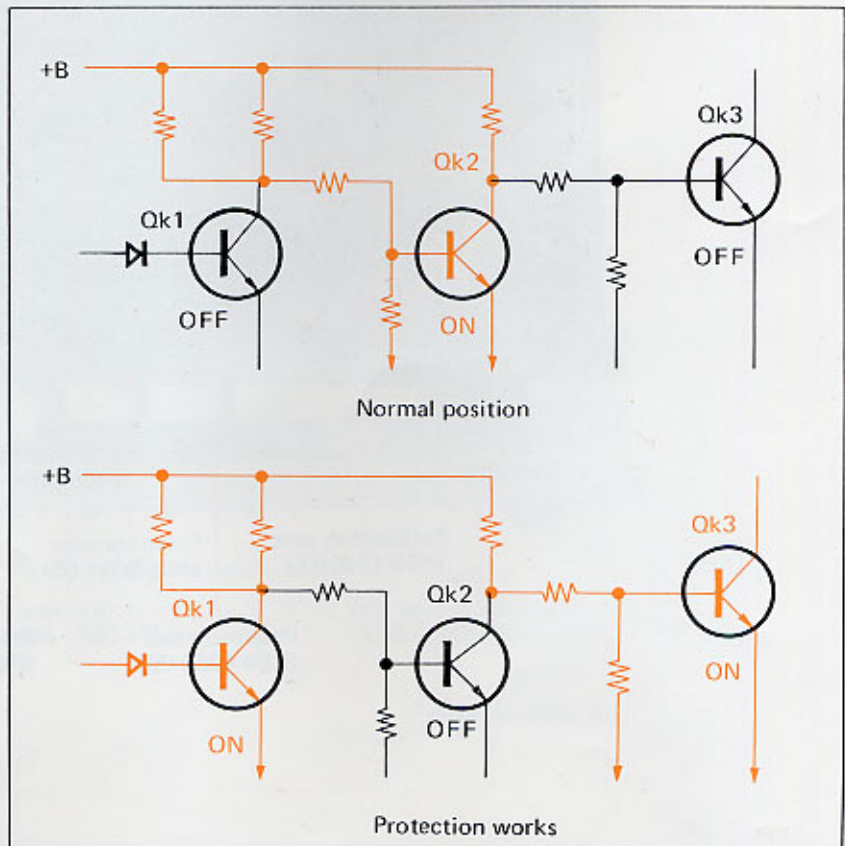
CIRCUIT DESIGN

Function of protection

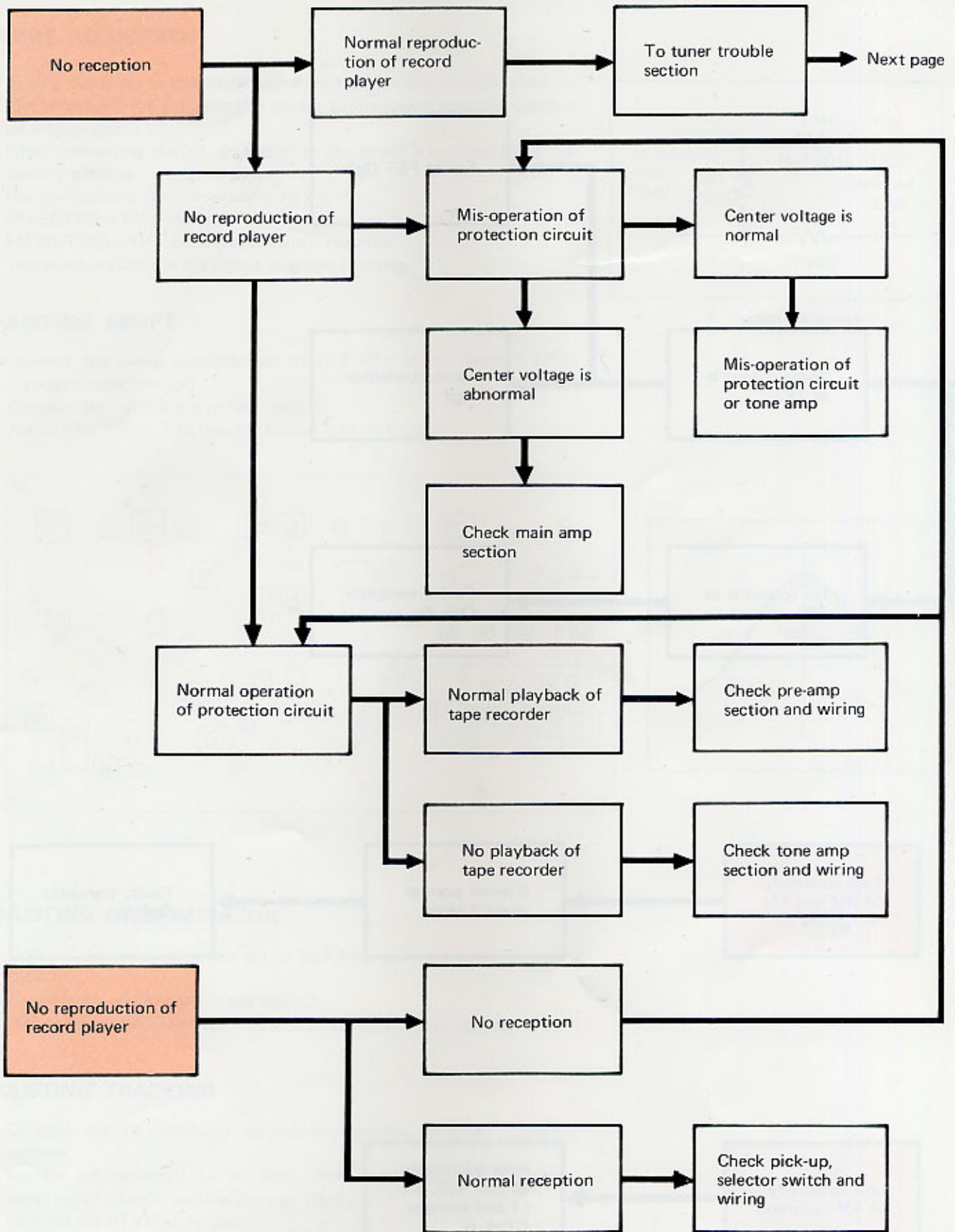
This unit serves to protect the damage of power transistors by overcurrent due to a short circuit at the output terminal of a main amplifier. The above mentioned function can be achieved by detecting overcurrent at the emitter of power transistor and bypassing the collector current of first stage transistor Qe3, 4 of main section by Schmidt circuit. Then eliminates an input signal. The sequence of operation will be described with reference to the circuits.

In normal operation, the emitter potential of the power transistor Qe13 or 14 is not large enough to be detected by transistor Qk1, so Qk1 is maintained at a cut off state. And the Qk2 becomes operation due to a bias voltage determined by resistors. Then, the transistor Qk3 will not be led to operation since the collector voltage of Qk2 drops about 1 voltage. As the result, the supply voltage to transistor Qe3 or 4 is maintained in normal condition.

The protection starts to operate when the emitter voltage of Qe13 or 14 reaches its detection voltage. The detected voltage is then rectified by the diode Dk6 or 7 and applied to the base of Qk1, thereby resulting in the flowing of collector current into Qk1. At this stage, the Qk2 becomes non-operation as the base bias voltage is lowered to its cut off level. As the result current flows through Rk9, Rk11 and Rk15 to produce a bias voltage to Qk3. Then, the Qk3 becomes operation (collector current flows) to bypass the supply voltage of Qe3 or 4 to the chassis thereby stopping amplification and interrupting the input signal to main section.

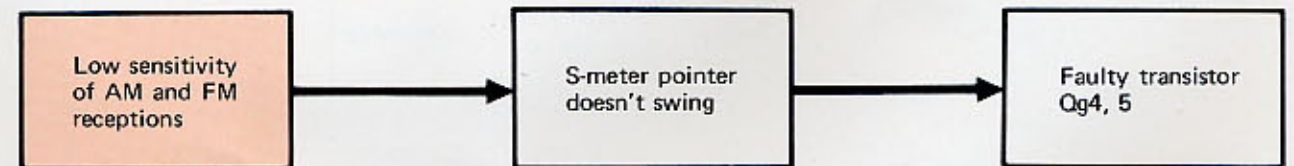
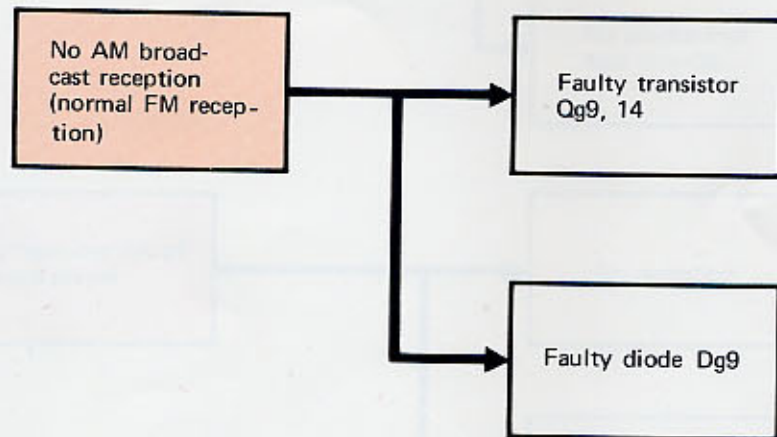
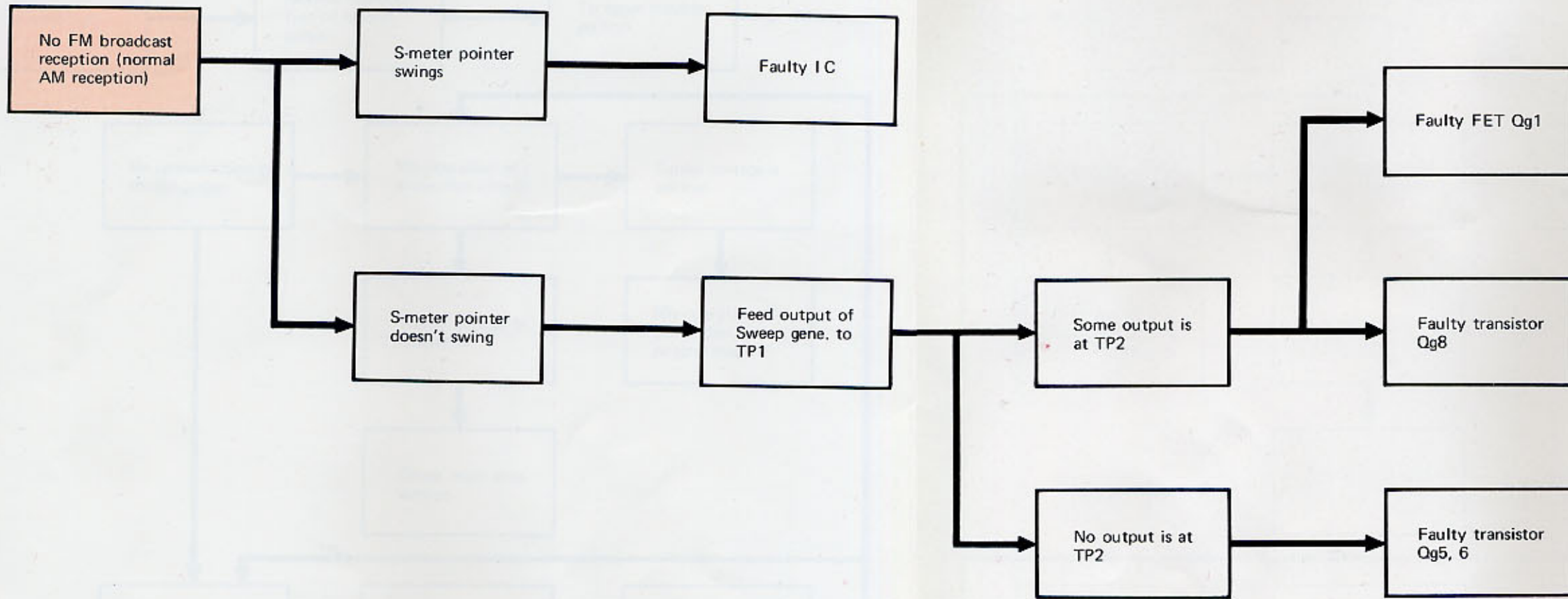


TROUBLESHOOTING



TUNER TROUBLESHOOTING

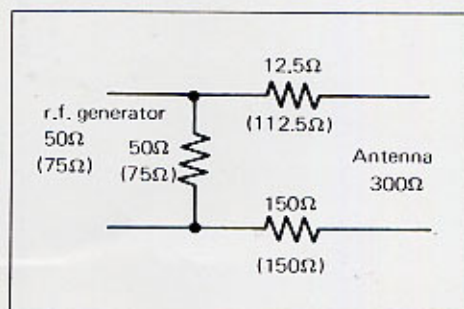
TUNER TRUBLESHOOTING



ADJUSTMENT OF TUNER SECTION

BEFORE ADJUSTMENT

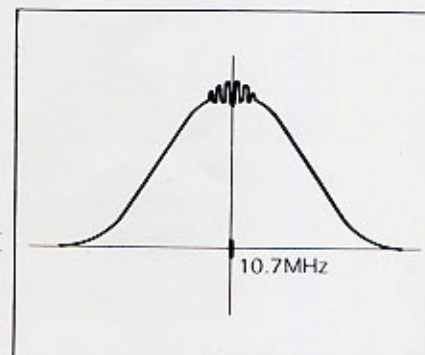
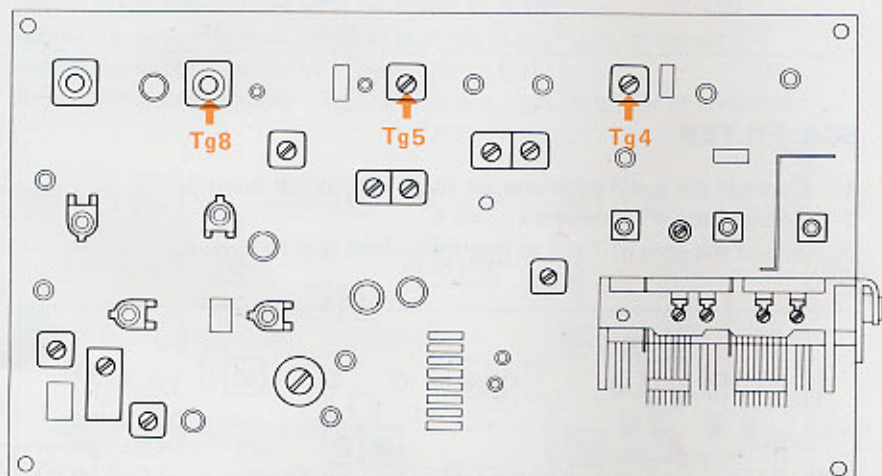
- * Tuning dial is set to the proper point corresponding to no radio stations.
- * The sweep and the r.f. generator are set to the lowest response possible on oscilloscope.
- * When connecting the r.f. generator to the antenna terminal using the dummy antenna . . . refer to figure.
- * Use the insulated screwdriver adjusting the i.f.t.
- * SELECTOR is FM position.
- * FM MUTING is OFF position unless it is required.
- * Test point is shown in the circuit diagram. (See page 31)



▲ Dummy antenna

ADJUSTING FM-IFT

1. Connect the sweep generator set to 10.7 MHz to test point 1 (TP1) through a capacitor 5pF.
2. Connect the oscilloscope to test point 2.
3. Adjust i.f.t. Tg4, 5, 8 so that the output is at maximum.



ADJUSTING DISCRIMINATOR

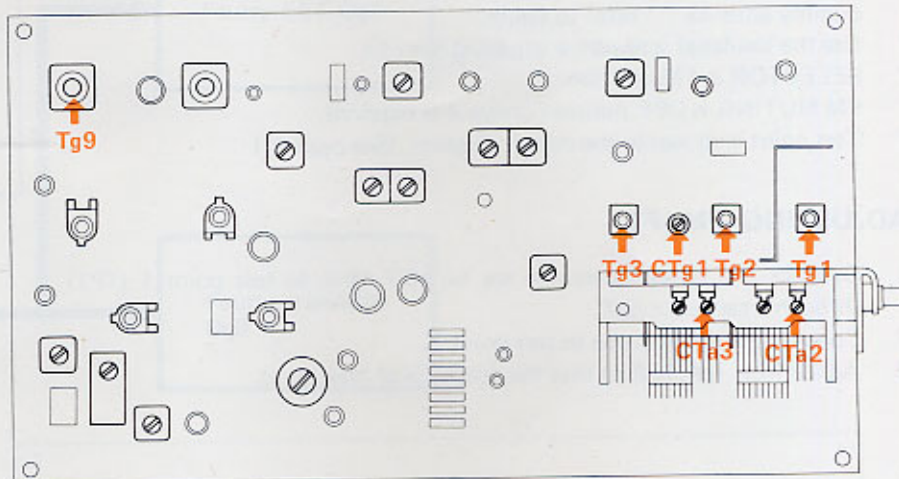
1. Connect the sweep generator set to 10.7 MHz to test point 1 through a capacitor.
2. Connect the oscilloscope to test point 3.
3. Adjust the discriminator coil Tg9 so that the output is at maximum.

ADJUSTING TRACKING

1. Connect the r.f. generator to antenna terminal through a dummy antenna.
2. Set the r.f. generator to 90 MHz, the modulation of 400 Hz, the deviation of 75 kHz, and the input of 10 μ V.
3. Connect the VTVM to rec jack.
4. Set the dial pointer to 90 MHz on the dial calibrations.
5. Adjust the core of r.f.t. Tg1, 2 and local oscillator coil Tg3 so that the output is at maximum.

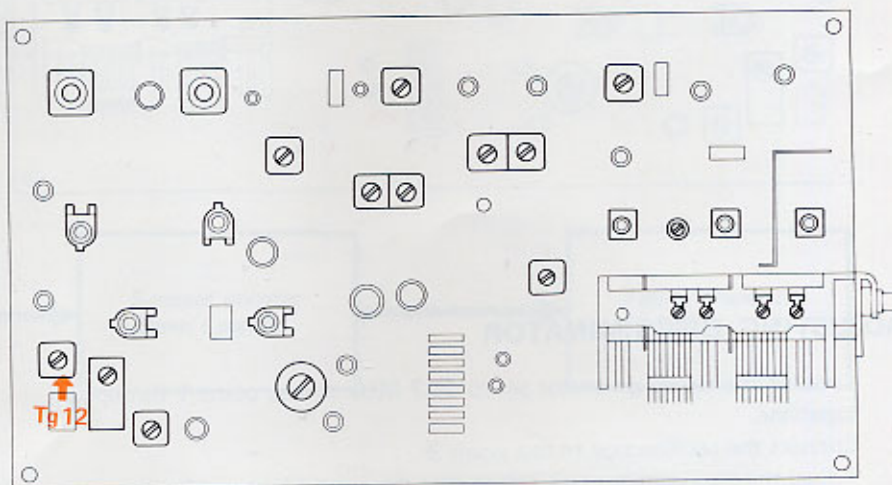
ADJUSTMENT OF TUNER SECTION

1. Set the r.f. generator to 106 MHz, the modulation of 400 Hz, the deviation of 75 kHz and input of $10\mu\text{V}$.
2. Set the dial pointer to 106 MHz on the dial calibrations.
3. Adjust trimmers CTg1 ~ 3 so that the output is at maximum.



SCA FILTER

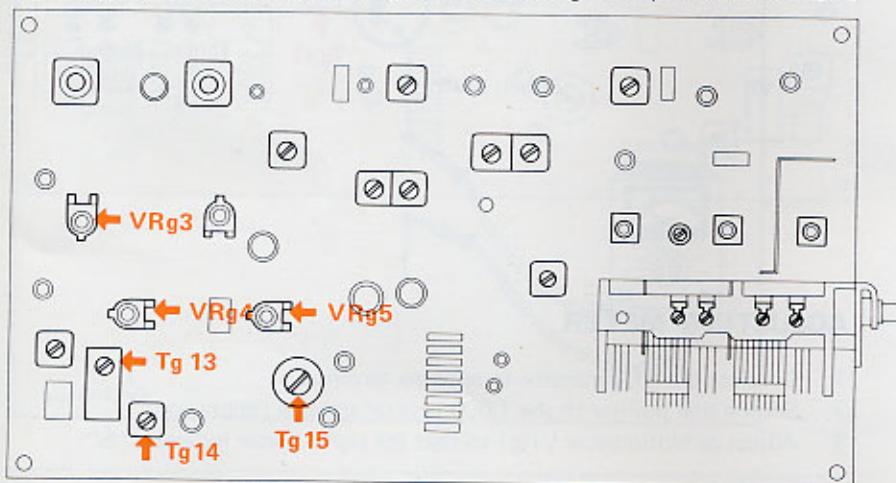
1. Connect the audio generator set to 67 kHz to test point 3.
2. Connect the VTVM to test point 4.
3. Adjust the core of Tg12 so that the output is at minimum.



ADJUSTMENT OF TUNER SECTION

ADJUSTING MPX

1. Connect the r.f. generator set to 98 MHz, modulation of 400 Hz, deviation of 75 kHz, to antenna terminal through a dummy antenna and VTVM to rec jack.
2. Adjust the potentiometer VRg3 so that the output is 1.5V.
3. Set the MPX generator to the followings.
SELECTOR → A + B PHASE → NORMAL
MODULATION → 400 Hz DEVIATION → 67.5 kHz
OUTPUT → EXT jack of r.f. generator
4. Connect the r.f. generator to antenna terminal and the VTVM to test point 5.
5. Adjust the core of Tg13, 14 so that the output is at maximum.
6. Switch the selector of MPX generator to A - B (reverse).
7. Remove the VTVM to rec jack.
8. Adjust the core of Tg15 so that the output is at maximum.
9. Switch the selector and deviation of MPX generator to A + B and 40 kHz.
10. Adjust potentiometer VRg5 so that the stereo indicator is on.
11. Switch the selector of the MPX generator to A (R).
12. Adjust the potentiometer VRg4 so that left output is at minimum.
13. Switch the selector of the MPX generator to B (L).
14. Adjust the potentiometer VRg4 so that the right output is at minimum.



NOTE: In case of difference between right and left channel, set the potentiometer VRg4 to average.

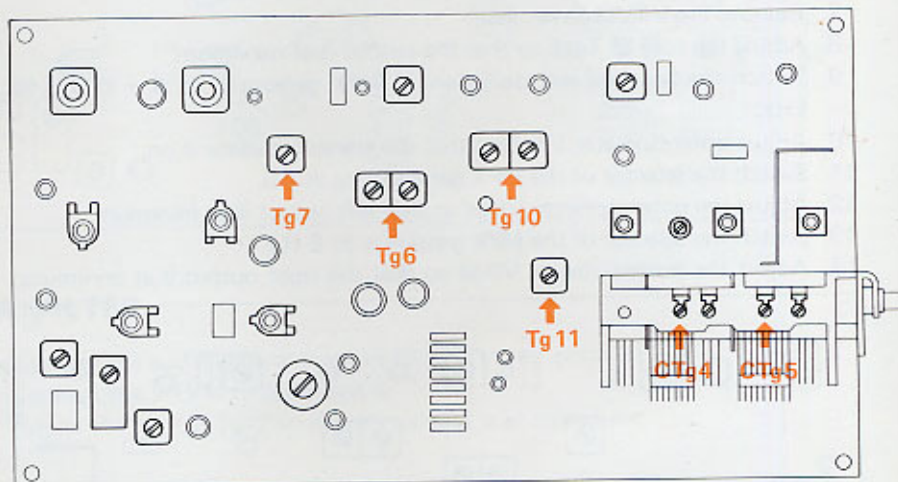
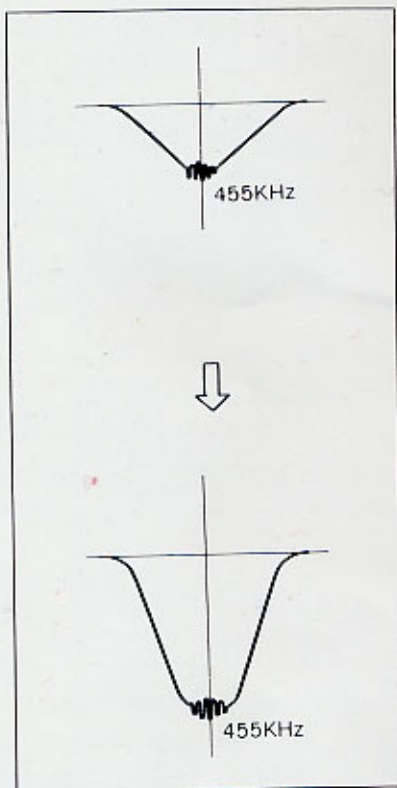
ADJUSTING AM-IFT

1. Connect the sweep generator set to 455 kHz to test point 6.
2. Connect the oscilloscope to the test point 7.
3. Adjust the core of i.f.t. Tg10, 6, 7 so that the output is at maximum.

ADJUSTMENT TUNER SECTION

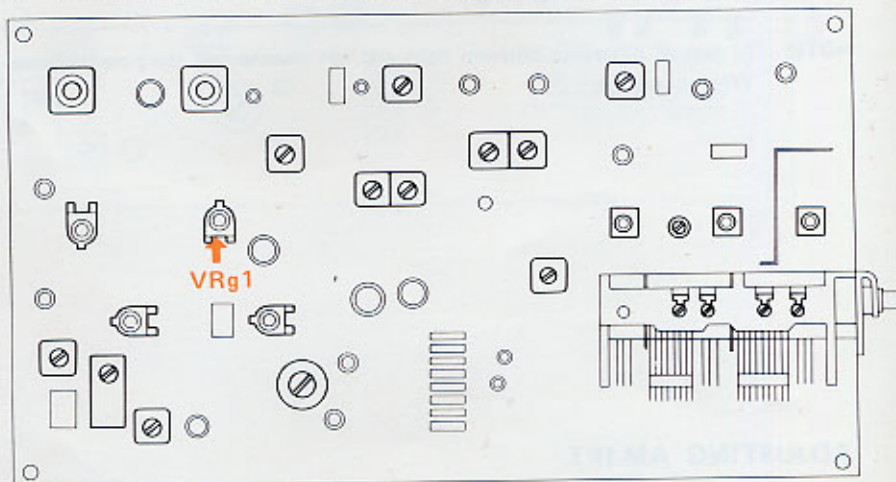
ADJUSTING TRACKING

1. Connect the r.f. generator set to 600 kHz, modulation of 30% at 400 Hz to antenna terminal.
2. Connect the VTVM to the rec jack.
3. Set the dial pointer to the 600 kHz on the dial calibrations.
4. Adjust the OSC-trans. Tg11 and ferrite antenna so that the output is at maximum.
1. Connect the r.f. generator set to 1,400 kHz, modulation of 30% at 400 Hz to antenna terminal.
2. Connect the VTVM to the rec jack.
3. Set the dial pointer to the 1,400 kHz on the dial calibrations.
4. Adjust the trimmer CTg4, 5 so that the output is at maximum.



ADJUSTING METER

1. Connect the r.f. generator to antenna terminal.
2. Set the dial pointer to the 1,000 kHz on the dial calibrations.
3. Adjust potentiometer VRg1 so that the signal meter indicates "5".

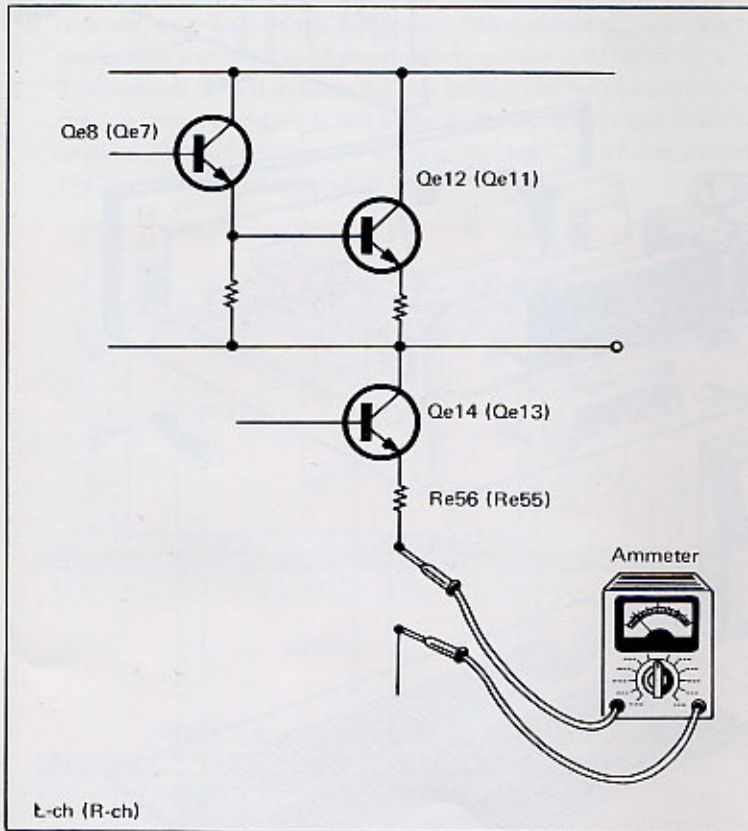


ADJUSTMENT OF AUDIO SECTION

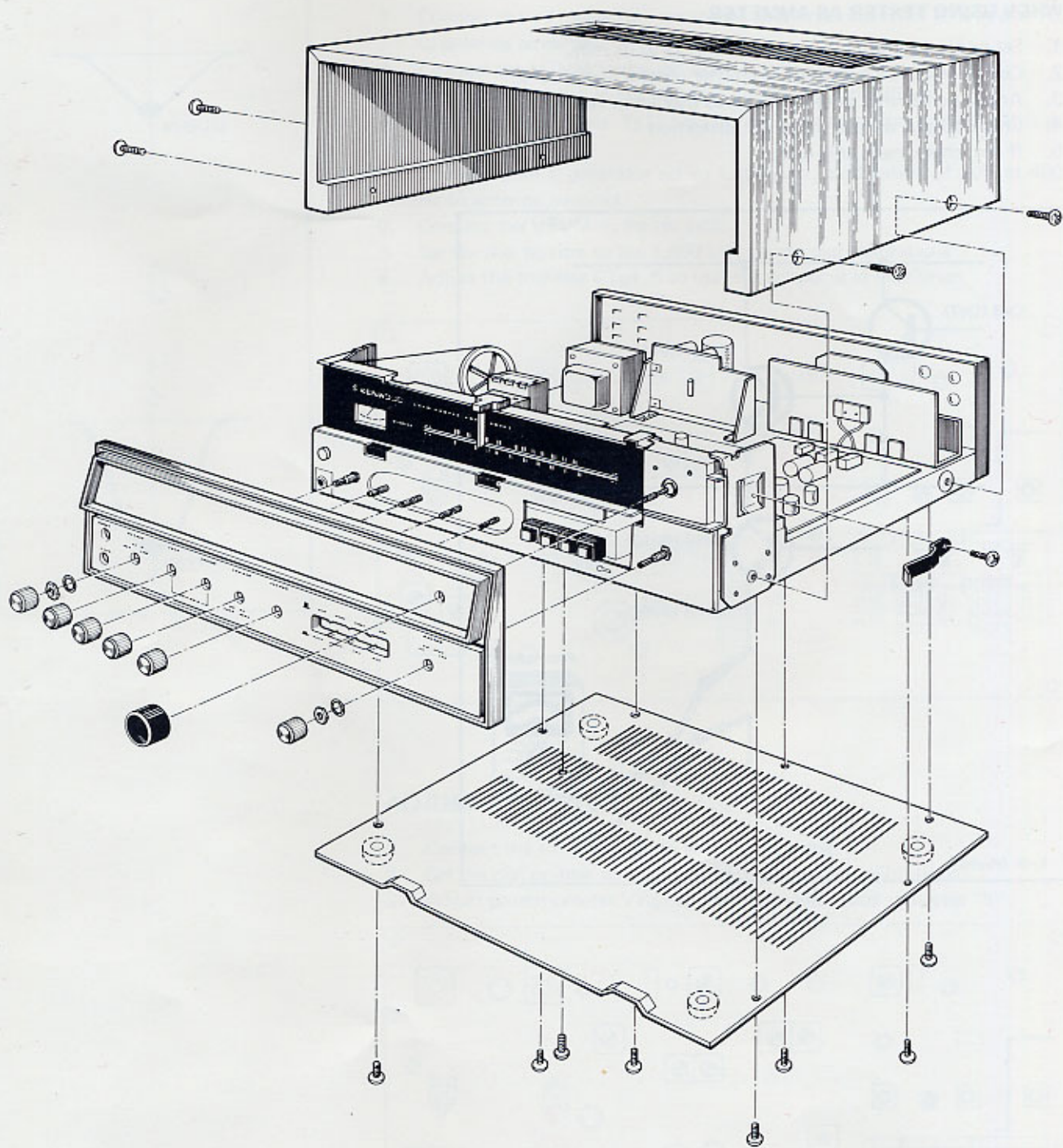
BIAS ADJUSTMENT

WHEN USING TESTER AS AMMETER

1. Set pc trimmer potentiometer (VRe1, 2) to its min..
2. Couple tester (as ammeter) to emitter resistor and ground.
3. Adjust pc trimmer potentiometer so that tester reading is 20 mA.
4. Check output waveform has not distortion
5. If not, check main amp unit.

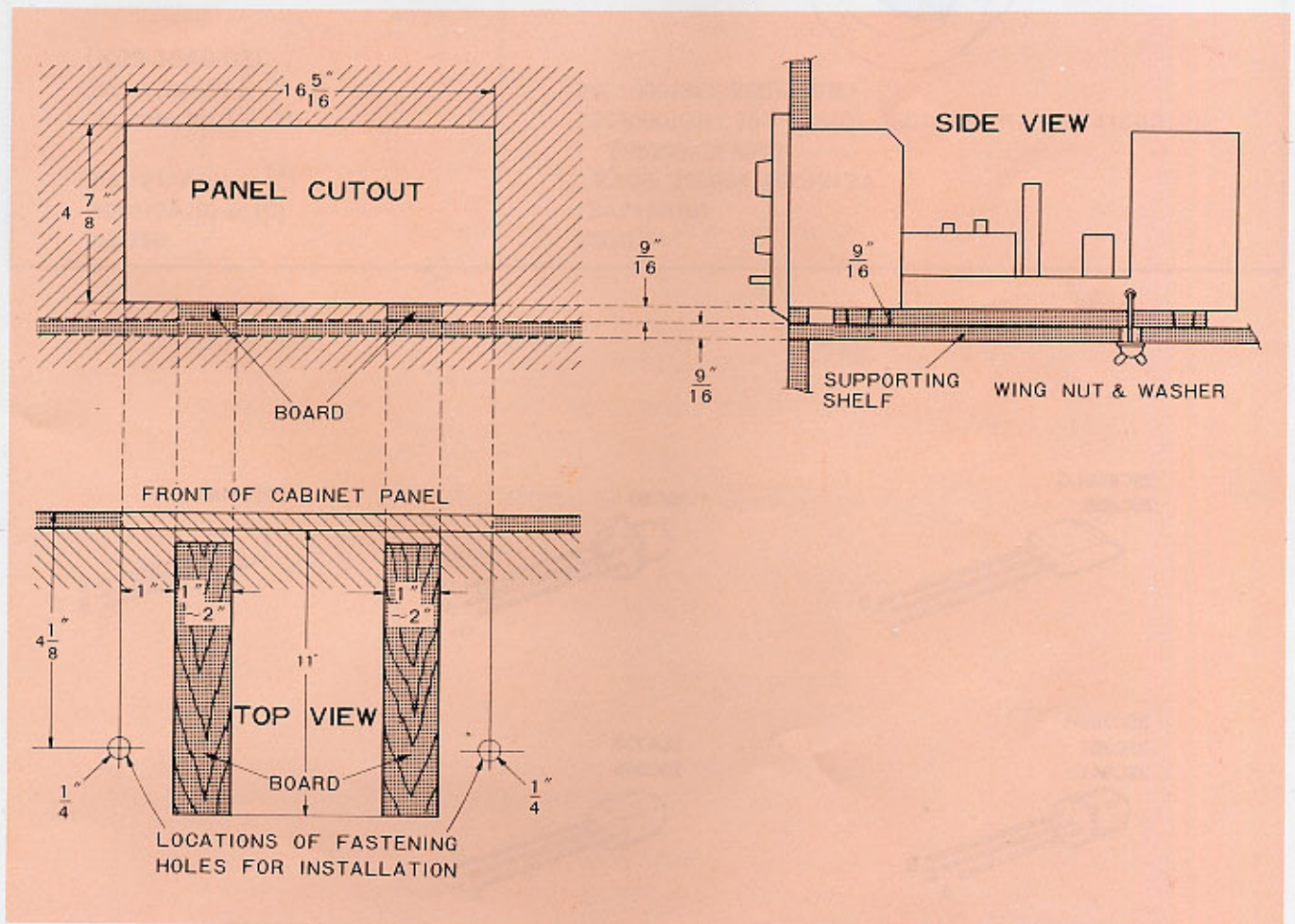


DISASSEMBLY OF KR-3200

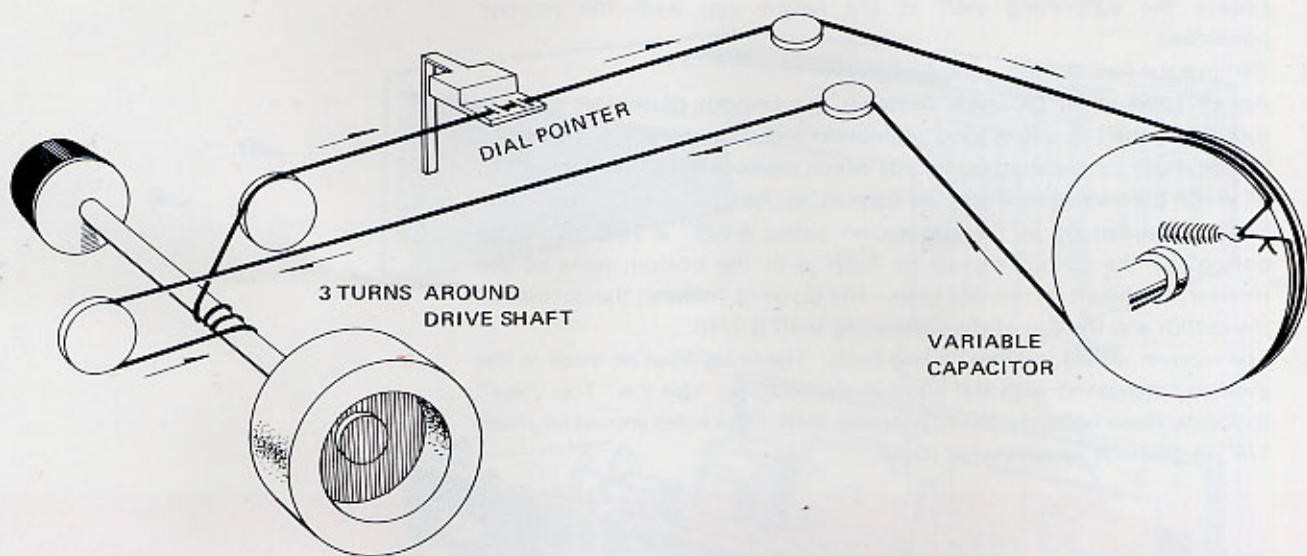


MOUNTING TEMPLATE

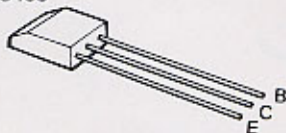
1. Remove the walnut cabinet.
2. Locate the supporting shelf at the height you wish the receiver positioned.
3. Remove the four bottom legs.
4. An air space must be made between the bottom of the set and the supporting shelf to assure good ventilation and cool operation. This space can be made by placing two boards which measure $9/16''$ thick by $1''$ to $2''$ width between chassis and the supporting shelf.
5. Make panel cutout in the size shown below $4-7/8'' \times 16-5/16''$. The bottom of the cutout should be flush with the bottom plate of the receiver, as shown in the side view. The distance between the bottom of the cutout and the top of the supporting shelf is $9/16''$.
6. The receiver is held in place by two bolts. The holes must be made in the shelf to correspond with the holes in the receiver. Use the "Top View" to locate these holes on the supporting shelf. The holes should be made $1/4''$ in diameter or somewhat larger.



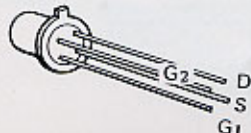
DIAL CORD & TRANSISTOR LEADS



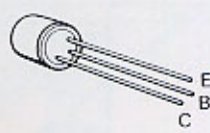
2SC458LG
2SC458



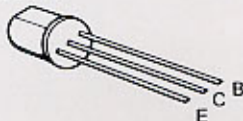
3SK30



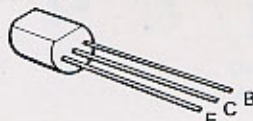
2SC1416



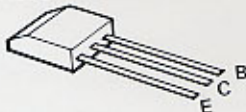
2SC785R
2SC381
2SC941



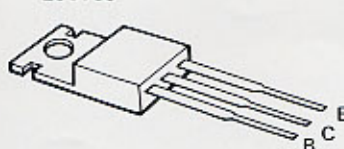
2SA733
2SC945



2SC1213A
2SA673



2SC789



SUBSTITUTION TRANSISTORS

Tr Number	Substitution Tr
(X00-1210-10 or 01) 2SC945(O) or (R) 2SC1213A(B) or (C)	2SC1213A, 2SC734, 2SC984, 2N4401 2SC497, 2SC984, 2SC1212A
(X05-1080-11) μ PC555A 3SK30 2SC785(R) 2SC381(R) 2SC941(O) 2SC458(D) 2SA733(Q) or (R) 2SC1213A(C)	μ A703C, CS5995 2SK19 — 2SC535(A) or (B), 2SC460, SE3001, 2SC380 2SC381 2SC1000(GR), 2SC1345(D) 2SA620WL(4) or (5) 2SC734(Y), 2SC984(C)
(X09-1040-03) 2SC1416A(BL) 2SC458LG(C) or (D) 2SC1213A(B) or (C) 2SA673A(B) or (C) 2SC789	2SC1000(BL), 2SC1345(E) 2SC1000(GR), 2SC1345(D), 2SC1416(GR), 2SC1416A(GR) 2N5209, SE4010 2SC734, 2SC984, 2SC1212A 2SA743A(B) 2SC1061

PARTS LIST

Ref. No.	Parts No.	Description	Remarks
CAPACITOR			
C1	CE04W0F221	Electrolytic 220 μ F 3.15WV	
C2	CQ93M1H224M	Mylar 0.22 μ F \pm 20%	
C100 ~ 103	CK45K1H561M	Ceramic 560pF \pm 20%	
C200 ~ 203	CK45D1H561M	Ceramic 560pF \pm 20%	
C300	C90-0145-05	Polyester 0.01 μ F \pm 20%(UL, CSA)	
C301	C90-0147-05	Electrolytic 3300 μ F 63WV	
RESISTOR			
R121	PD14BY2B104J	Carbon 100k Ω \pm 5% 1/8W	
R122	PD14BY2B394J	Carbon 390k Ω \pm 5% 1/8W	
R123	PD14BY2B822J	Carbon 8.2k Ω \pm 5% 1/8W	
R171	RC05GF2H331K	Carbon 330 Ω \pm 10% 1/2W	
R221	PD14BY2B104J	Carbon 100k Ω \pm 5% 1/8W	
R222	PD14BY2B394J	Carbon 390k Ω \pm 5% 1/8W	
R223	PD14BY2B822J	Carbon 8.2k Ω \pm 5% 1/8W	
R271	RC05GF2H331K	Carbon 330 Ω \pm 10% 1/2W	
R300	RC05GF2H225K	Carbon 2.2M Ω \pm 10% 1/2W	
R301	RC05GF2H270K	Carbon 27 Ω \pm 10% 1/2W	
R302	RN14AB3D271J	Metal film 270 Ω \pm 5% 2W	
POTENTIOMETER			
VR1	R08-4060-05	Potentiometer 50k Ω (B) dual VOLUME	
VR2	R03-5021-05	Potentiometer 100k Ω (G) BALANCE	
VR3	R08-2006-05	Potentiometer 5k Ω (C) dual TREBLE	
VR4	R08-2006-05	Potentiometer 5k Ω (C) dual BASS	
SWITCH			
S1	S01-4009-05	Rotary (F - 4 - 13 - 4) SELECTOR	
S7	S04-1024-05	Rotary (F - 1 - 4 - 4) SPEAKERS	
MISCELLANEOUS			
-	A03-0095-12	Cabinet	
-	A10-0339-21	Chassis	
-	A15-0022-13	Pushbutton switch frame	
-	A20-0518-15	Panel	
-	A20-0587-03	Panel assembly	
-	A21-0114-02	Dress panel	
-	A30-0070-15	Dial board	
-	A40-0101-23	Bottom plate	
-	B10-0108-02	Frontglass	
-	B19-0134-14	White filter	
-	B20-0251-23	Dial calibrations	
-	B21-4010-15	Dial pointer (yellow)	
-	B30-0064-15	Pilot lamp (50mA, BEACON)	
-	B30-0068-05	Pilot lamp (METER)	
-	B30-0069-05	Pilot lamp (300mA) x 4	
-	B31-0143-15	Meter assembly	
-	B42-0009-04	Passed sticker	
-	B52-0143-00	Circuit diagram	
-	D01-0009-05	Flywheel	
-	D15-0034-05	Pulley	
-	D15-0073-14	Pulley (middle size) x 2	

PARTS LIST

Ref. No.	Parts No.	Description	Remarks
-	D15-0075-04	Pulley (small size) x 3	
-	D20-0092-15	Dial shaft	
-	E08-0221-05	AC outlet x 2 (UL)	
-	E11-0002-05	Phone jack (PHONES)	
-	E13-0408-05	Pin jack (4P)	
-	E13-0409-05	Pin jack (with DIN)	
-	E20-0418-03	Terminal strips (4P)	
-	E21-0802-05	Push terminal (8P)	
-	F07-0279-14	Dial cover	
-	F31-0084-04	Reinforce hardware	
-	F99-0009-14	Slider	
-	G01-0044-04	Dial spring	
-	G16-0049-04	Rubber sheet	
-	H01-0854-04	Carton case	
-	J02-0049-14	Leg x 4	
-	J19-0266-14	Frontglass stopper (top)	
-	J19-0286-14	Dial stopper	
-	J19-0288-24	Meter stopper	
-	J19-0290-24	Side plate (L)	
-	J19-0291-14	Side plate (R)	
-	J19-0301-33	Dial stopper	
-	J19-0304-04	Frontglass stopper x 2 (side)	
-	J21-0192-04	Amp stopper x 2	
-	J21-0806-14	Antenna mounting hardware	
-	J21-0977-14	Switch mounting hardware	
-	J21-1015-34	L shaped hardware	
-	J21-1016-14	Pilot lamp mounting hardware	
-	J21-1030-14	Panel stopper	
-	J21-1046-04	Pulley mounting hardware	
-	J25-0768-04	Pc board	
-	K23-0117-03	Knob (TUNING)	
-	K23-0119-03	Knob (SPEAKERS, BASS, TREBLE, BALANCE, VOLUME, SELECTOR)	
-	K29-0115-04	Knob (POWER)	
-	K29-0126-13	Knob (LOUDNESS)	
-	K29-0127-13	Knob (NOISE FILTER)	
-	K29-0129-13	Knob (MODE)	
-	K29-0132-13	Knob (TAPE MONITOR)	
-	T90-0002-05	FM indoor antenna	
-	T90-0026-05	Ferrite antenna	
-	X05-1080-11	TUNER unit	
-	X09-1040-03	PRE, TONE & MAIN unit	
-	X13-1320-11	PUSHBUTTON SWITCH unit	

PARTS LIST

Note:

Append the following parts to every area.

Ref. No.	U.S.A.	Canada	Other	Description
—	A23-0352-12	A23-0352-12	A23-0353-12	Rear panel
—	B40-0720-04	B40-0721-04	B40-0722-04	Model name plate
—	B40-0359-04 (x2)	B40-0359-04 (x1)	—	Caution sticker (UL)
—	B46-0002-00	B46-0021-00	B46-0022-00 B46-0023-00	Warranty card
—	B50-0898-00	B50-0898-00	B50-0899-00	Instruction manual
—	B58-0043-00	B58-0043-00	—	Carton case caution card
—	—	—	B58-0139-00	Power supply caution card
—	—	—	B58-0144-00	Power voltage selector caution card
—	—	—	B58-0146-00	Spare fuse caution card
—	—	—	B59-0018-00	KENWOOD service stations' list
—	—	—	D32-0021-04	Switch stopper
—	E30-0181-05	E30-0181-05	E30-0034-05	Power cord
—	F05-2021-05 (2A, UL)	F05-2023-05 (2A)	F05-1023-05 (1A)	Fuse
—	F05-4026-05 (4A)	—	F05-2023-05 (2A)	
—	H03-0176-04	H03-0176-04	—	Carton case
—	J13-0016-15 (UL)	J13-0016-15	J13-0033-05	Fuse holder
—	L03-0080-05	L05-0022-05	L03-0080-05	Power transformer
—	R90-0097-05	—	R90-0097-05	Spark killer
S6	S39-2002-05 (UL)	S39-1002-05 (UL)	S39-2003-05	Pushbutton switch (power)
—	—	—	S31-2001-05	Slide switch (voltage selector)
—	X00-1210-10	X00-1210-10	X00-1210-01	Power supply unit

POWER SUPPLY (X00-1210-10) PARTS LIST

Ref. No.	Parts No.	Description	Remarks
CAPACITOR			
Ck1, 2	CK45E2H103P	Ceramic 0.01 μ F +100% -0%	
Ck3	CE04W1V471	Electrolytic 470 μ F 35WV	
Ck4	CE04W1E471	Electrolytic 470 μ F 25WV	
Ck5	CE04W1V101	Electrolytic 100 μ F 35WV	
Ck6	CE04W1C471	Electrolytic 470 μ F 16WV	
Ck7	CE04W1H470	Electrolytic 47 μ F 50WV	
RESISTOR			
Rk1	RN14AB3D221J	Metal film 220 Ω \pm 5% 2W	
Rk2	RC05GF2H681K	Carbon 680 Ω \pm 10% 1/2W	
Rk3	RC05GH2H391K	Carbon 390 Ω \pm 10% 1/2W	
Rk4	RC05GF2H221K	Carbon 220 Ω \pm 10% 1/2W	
Rk7	PD14BY2E103J	Carbon 10k Ω \pm 5% 1/4W	
Rk8	PD14BY2E124J	Carbon 120k Ω \pm 5% 1/4W	
Rk9, 10	PD14BY2E103J	Carbon 10k Ω \pm 5% 1/4W	
Rk11, 12	PD14BY2E273J	Carbon 27k Ω \pm 5% 1/4W	
Rk13	PD14BY2E103J	Carbon 10k Ω \pm 5% 1/4W	
Rk14	PD14BY2E181J	Carbon 180 Ω \pm 5% 1/4W	
Rk15	PD14BY2E103J	Carbon 10k Ω \pm 5% 1/4W	
SEMICONDUCTOR			
Qk1, 2		2SC945 (Q) or (R)	
Qk3		2SC1213A (B) or (C)	
Dk1 ~ 4		S - 1.5 - 02	
Dk5		RV - 1	
Dk6, 7		1S1555	
MISCELLANEOUS			
-	F06-2022-05	Fuse (2A, lead type) (UL)	
-	J21-1003-14	Pc board stopper (L)	
-	J21-1004-14	Pc board stopper (R)	

TUNER (X05-1080-11) PARTS LIST

Ref. No.	Parts No.	Description	Remarks
CAPACITOR			
Cg1	CC45SL1H150K	Ceramic 15pF ±10%	
Cg2	CC45SL1H101K	Ceramic 100pF ±10%	
Cg3	CK45F1H103Z	Ceramic 0.01μF +80% -20%	
Cg4	CC45SL1H030C	Ceramic 3pF ±0.25pF	
Cg5, 6	CK45F1H103Z	Ceramic 0.01μF +80% -20%	
Cg7	CC45SL1H180K	Ceramic 18pF ±10%	
Cg8	CC45SL1H270K	Ceramic 27pF ±10%	
Cg9	CC45SL1H100D	Ceramic 10pF ±0.5pF	
Cg10	CC45SL1H221K	Ceramic 220pF ±10%	
Cg11	CK45F1H103Z	Ceramic 0.01μF +80% -20%	
Cg12	CC45SL1H100D	Ceramic 10pF ±0.5pF	
Cg13	CC45TH1H020C	Ceramic 2pF ±0.25pF	
Cg14	CK45F1H223Z	Ceramic 0.022μF +80% -20%	
Cg15	CC45SG1H220K	Ceramic 22pF ±10%	
Cg16	CC45SG1H470K	Ceramic 47pF ±10%	
Cg17	CC45SG1H220K	Ceramic 22pF ±10%	
Cg18	CC45TH1H150K	Ceramic 15pF ±10%	
Cg19 ~ 26	CK45F1H223Z	Ceramic 0.022μF +80% -20%	
Cg27, 28	CM93D1H102J(Z)	Mica 1000pF ±5%	
Cg32	CC45SL1H050D	Ceramic 5pF ±0.5pF	
Cg33	CQ93M1H223K	Mylar 0.022μF ±10%	
Cg34	CM93D1H102J(Z)	Mica 1000pF ±5%	
Cg35	CK45F1H223Z	Ceramic 0.022μF +80% -20%	
Cg36	CK45F1H103Z	Ceramic 0.01μF +80% -20%	
Cg37	CQ93M1H102K	Mylar 0.001μF ±10%	
Cg38	CK45F1H223Z	Ceramic 0.022μF +80% -20%	
Cg39	CQ93M1H472J	Mylar 0.0047μF ±5%	
Cg40	CC45SL1H050D	Ceramic 5pF ±0.5pF	
Cg41	CK45B1H471K	Ceramic 470pF ±10%	
Cg42, 44	CK45F1H223Z	Ceramic 0.022μF +80% -20%	
Cg45, 46	CC45SL1H221K	Ceramic 220pF ±10%	
Cg47	CE04W1E100	Electrolytic 10μF 25WV	
Cg49	CE04W1C101	Electrolytic 100μF 16WV	
Cg50	CC45SL1H101K	Ceramic 100pF ±10%	
Cg52, 53	CQ93M1H103K	Mylar 0.01μF ±10%	
Cg54	CE04W1H3R3	Electrolytic 3.3μF 50WV	
Cg56	CK45F1H223Z	Ceramic 0.022μF +80% -20%	
Cg58	CE04W1E100	Electrolytic 10μF 25WV	
Cg59 ~ 62	CK45F1H223Z	Ceramic 0.022μF +80% -20%	
Cg63	CE04W1E100	Electrolytic 10μF 25WV	
Cg64	CQ93M1H472J	Mylar 0.0047μF ±5%	
Cg65, 66	CQ93M1H103K	Mylar 0.01μF ±10%	
Cg67	CK45B1H361K	Ceramic 360pF ±10%	
Cg68	CC45SL1H180K	Ceramic 18pF ±10%	
Cg69	CE04W1E100	Electrolytic 10μF 25WV	
Cg70	CM93D1H391J(Z)	Mica 390pF ±5%	
Cg71	CE04W1H010	Electrolytic 1μF 50WV	
Cg72	CQ93M1H223K	Mylar 0.022μF ±10%	
Cg73	CQ08S2B472J	Polystyrene 4700pF ±5%	
Cg75	CQ93M1H822J	Mylar 0.0082μF ±5%	
Cg76	CE04W1H010	Electrolytic 1μF 50WV	

TUNER (X05-1080-11) PARTS LIST

Ref. No.	Parts No.	Description	Remarks
Cg77	CQ08S2B472J	Polystyrene 4700pF ±5%	
Cg78	CE4W1E100	Electrolytic 10μF 25WV	
Cg79	CE04W0J470	Electrolytic 47μF 6.3WV	
Cg80	CS04E1ER47M	Tantalum 0.47μF 25WV	
Cg81, 82	CQ93M1H682J	Mylar 0.0068μF ±5%	
Cg83	CS04E1ER47M	Tantalum 0.47μF 25WV	
Cg85	CQ93M1H223K	Mylar 0.022μF ±10%	
Cg86, 87	CQ08S2B102J	Polystyrene 1000pF ±5%	
VC	C01-0171-05	Variable capacitor	
CTg3	C05-0009-15	Ceramic trimmer (6pF)	
RESISTOR			
Rg1	PD14BY2B104J	Carbon 100kΩ ±5% 1/8W	
Rg2	PD14BY2B330J	Carbon 33Ω ±5% 1/8W	
Rg3	PD14BY2B471J	Carbon 470Ω ±5% 1/8W	
Rg4	PD14BY2B104J	Carbon 100kΩ ±5% 1/8W	
Rg5	PD14BY2B562J	Carbon 5.6kΩ ±5% 1/8W	
Rg6	PD14BY2B472J	Carbon 4.7kΩ ±5% 1/8W	
Rg7	PD14BY2B223J	Carbon 22kΩ ±5% 1/8W	
Rg8	PD14BY2B102J	Carbon 1kΩ ±5% 1/8W	
Rg9	PD14BY2B562J	Carbon 5.6kΩ ±5% 1/8W	
Rg10	PD14BY2B392J	Carbon 3.9kΩ ±5% 1/8W	
Rg11	PD14BY2B223J	Carbon 22kΩ ±5% 1/8W	
Rg12	PD14BY2B391J	Carbon 390Ω ±5% 1/8W	
Rg13	PD14BY2B331J	Carbon 330Ω ±5% 1/8W	
Rg14	PD14BY2B102J	Carbon 1kΩ ±5% 1/8W	
Rg15	PD14BY2B391J	Carbon 390Ω ±5% 1/8W	
Rg16	PD14BY2B393J	Carbon 39kΩ ±5% 1/8W	
Rg17	PD14BY2B103J	Carbon 10kΩ ±5% 1/8W	
Rg18	PD14BY2B223J	Carbon 22kΩ ±5% 1/8W	
Rg19	PD14BY2B332J	Carbon 3.3kΩ ±5% 1/8W	
Rg20	PD14BY2B221J	Carbon 220Ω ±5% 1/8W	
Rg21, 22	PD14BY2B102J	Carbon 1kΩ ±5% 1/8W	
Rg23	PD14BY2B222J	Carbon 2.2kΩ ±5% 1/8W	
Rg24	PD14BY2B223J	Carbon 22kΩ ±5% 1/8W	
Rg25	PD24BY2B562J	Carbon 5.6kΩ ±5% 1/8W	
Rg26	PD14BY2B183J	Carbon 18kΩ ±5% 1/8W	
Rg29	PD14BY2B470J	Carbon 47Ω ±5% 1/8W	
Rg30, 31	PD14BY2B561J	Carbon 560Ω ±5% 1/8W	
Rg32	PD14BY2B332J	Carbon 3.3kΩ ±5% 1/8W	
Rg33	PD14BY2B223J	Carbon 22kΩ ±5% 1/8W	
Rg34	PD14BY2B221J	Carbon 220Ω ±5% 1/8W	
Rg35	PD14BY2B562J	Carbon 5.6kΩ ±5% 1/8W	
Rg36	PD14BY2B561J	Carbon 560Ω ±5% 1/8W	
Rg37	PD14BY2B562J	Carbon 5.6kΩ ±5% 1/8W	
Rg38	PD14BY2B103J	Carbon 10kΩ ±5% 1/8W	
Rg39	PD14BY2B221J	Carbon 220Ω ±5% 1/8W	
Rg40	PD14BY2B682J	Carbon 6.8kΩ ±5% 1/8W	
Rg43, 44	PD14BY2B222J	Carbon 2.2kΩ ±5% 1/8W	
Rg45, 46	PD14BY2B682J	Carbon 6.8kΩ ±5% 1/8W	
Rg48	PD14BY2B102J	Carbon 1kΩ ±5% 1/8W	
Rg49, 50	PD14BY2B221J	Carbon 220Ω ±5% 1/8W	

TUNER (X05-1080-11) PARTS LIST

Ref. No.	Parts No.	Description	Remarks
Rg51	PD14BY2B562J	Carbon 5.6k Ω \pm 5% 1/8W	
Rg52	PD14BY2B223J	Carbon 22k Ω \pm 5% 1/8W	
Rg53	PD14BY2B104J	Carbon 100k Ω \pm 5% 1/8W	
Rg54	PD14BY2B103J	Carbon 10k Ω \pm 5% 1/8W	
Rg55	PD14BY2B563J	Carbon 56k Ω \pm 5% 1/8W	
Rg56	PD14BY2B562J	Carbon 5.6k Ω \pm 5% 1/8W	
Rg57	PD14BY2B222J	Carbon 2.2k Ω \pm 5% 1/8W	
Rg58	PD14BY2B682J	Carbon 6.8k Ω \pm 5% 1/8W	
Rg59	PD14BY2B102J	Carbon 1k Ω \pm 5% 1/8W	
Rg60	PD14BY2B103J	Carbon 10k Ω \pm 5% 1/8W	
Rg61	PD14BY2B221J	Carbon 220 Ω \pm 5% 1/8W	
Rg62	PD14BY2B473J	Carbon 47k Ω \pm 5% 1/8W	
Rg63	PD14BY2B103J	Carbon 10k Ω \pm 5% 1/8W	
Rg64	PD14BY2B221J	Carbon 220 Ω \pm 5% 1/8W	
Rg65	PD14BY2B102J	Carbon 1k Ω \pm 5% 1/8W	
Rg66	PD14BY2B563J	Carbon 56k Ω \pm 5% 1/8W	
Rg67	PD14BY2B124J	Carbon 120k Ω \pm 5% 1/8W	
Rg68	PD14BY2B471J	Carbon 470 Ω \pm 5% 1/8W	
Rg69	PD14BY2B330J	Carbon 33 Ω \pm 5% 1/8W	
Rg70	PD14BY2B101J	Carbon 100 Ω \pm 5% 1/8W	
Rg71	PD14BY2B102J	Carbon 1k Ω \pm 5% 1/8W	
Rg72	PD14BY2B101J	Carbon 100 Ω \pm 5% 1/8W	
Rg74	PD14BY2B471J	Carbon 470 Ω \pm 5% 1/8W	
Rg75	PD14BY2B222J	Carbon 2.2k Ω \pm 5% 1/8W	
Rg76	PD14BY2B330J	Carbon 33 Ω \pm 5% 1/8W	
Rg77 ~ 84	PD14BY2B103J	Carbon 10k Ω \pm 5% 1/8W	
Rg85 ~ 87	PD14BY2B823J	Carbon 82k Ω \pm 5% 1/8W	
Rg89	PD14BY2B823J	Carbon 82k Ω \pm 5% 1/8W	
Rg90, 91	PD14BY2B153J	Carbon 15k Ω \pm 5% 1/8W	
Rg92, 93	PD14BY2B123J	Carbon 12k Ω \pm 5% 1/8W	
SEMICONDUCTOR			
Qg1		3SK30(B) or (C)	
Qg2 ~ 6		2SC381(R)	
Qg8		2SC785(R)	
Qg9		2SC941(O)	
Qg10		2SA733(Q) or (R)	
Qg11, 12		2SC458(D)	
Qg13		2SC1213A(C)	
Qg14		2SC941(O)	
ICg1		μ PC555A(R) or (B)	
Dg1		1N60	
Dg3, 4		1S1555 or 1S2076	
Dg5 ~ 12		1N60	
Dg13		1S1555 or 1S2076	
Dg14 ~ 18		1N60	
Dg19		1S1555 or 1S2076	
Dg20 ~ 27		1N60	
Dg29, 30		MV-13	
Zg1		DZ-140	
TRANS/COIL/FILTER			
Tg1	L34-0410-05	FM-ANT Coil	

TUNER (X05-1080-11) PARTS LIST

Ref. No.	Parts No.	Description	Remarks
Tg2	L34-0408-05	FM-RF Coil	
Tg3	L34-0409-05	FM-OSC Coil	
Tg4	L30-0176-05	FM-IFT	
Tg5	L30-0247-05	FM-IFT	
Tg6	L30-0250-05	AM-IFT	
Tg7	L30-0052-05	AM-IFT	
Tg8	L30-0248-05	FM-IFT	
Tg9	L30-0207-15	DISCRIMINATOR Coil	
Tg10	L30-0249-05	AM-IFT	
Tg11	L30-0082-05	AM-OSC Coil	
Tg12	L35-0054-05	MPX Coil	
Tg13	L35-0052-05	MPX Coil	
Tg14	L35-0054-05	MPX Coil	
Tg15	L35-0053-05	MPX Coil	
Lg1	L33-0086-05	Ferri-inductor	
Lg2	L33-0027-04	Choke coil	
Lg3, 4	L33-0026-04	Choke coil	
Lg5	L33-0098-05	Ferri-inductor	
Lg6 ~ 9	L33-0086-05	Ferri-inductor	
Lg10, 11	L33-0179-05	Ferri-inductor	
CFg1, 2	L72-0014-05	Ceramic filter	
POTENTIOMETER			
VRg1	R12-2016-05	PC trimmer (AM-METER) 5k Ω (B)	
VRg3	R12-3029-05	PC trimmer (FM-OUTPUT) 30k Ω (B)	
VRg4	R12-0047-05	PC trimmer (SEPARATION) 500 Ω (B)	
VRg5	R12-4019-05	PC trimmer (BEACON) 50k Ω (B)	
MISCELLANEOUS			
-		F10-0279-14 Shield plate	
-		F10-0280-03 Shield plate	

PRE, TONE & MAIN (X09-1040-03) PARTS LIST

Ref. No.	Parts No.	Description	Remarks
CAPACITOR			
Ce1, 2	CS04DQJ3R3X or M	Tantalum 3.3 μ F 6.3WV	
Ce3	CE04W0F101	Electrolytic 100 μ F 3.15WV	
Ce4	CQ93M1H472K	Mylar 0.0047 μ F \pm 10%	
Ce5, 6	CE04W1E100	Electrolytic 10 μ F 25WV	
Ce7, 8	CK94YY1H561M	Ceramic 560pF \pm 20%	
Ce11, 12	CE04WQJ330	Electrolytic 33 μ F 6.3WV	
Ce13, 14	CC45SL1H101K	Ceramic 100pF \pm 10%	
Ce15, 16	CE04W1E100	Electrolytic 10 μ F 25WV	
Ce17, 18	CQ93M1H332K	Mylar 0.0033 μ F \pm 10%	
Ce19, 20	CC94SL1H220K	Ceramic 22pF \pm 10%	
Ce21, 22	CQ93M1H123K	Mylar 0.012 μ F \pm 10%	
Ce23	CE04W1E221	Electrolytic 220 μ F 25WV	
Ce24	CE04W1E101	Electrolytic 100 μ F 25WV	
Ce25, 26	CE04W1H010	Electrolytic 1 μ F 50WV	
Ce27, 28	CE04W1E100	Electrolytic 10 μ F 25WV	
Ce29, 30	CE04W0F470	Electrolytic 47 μ F 3.15WV	
Ce31, 32	CE04W0F101	Electrolytic 100 μ F 3.15WV	
Ce33, 34	CQ93M1H273K	Mylar 0.027 μ F \pm 10%	
Ce35, 36	CQ93M1H334K	Mylar 0.33 μ F \pm 10%	
Ce37, 38	CE04W1E010M	Electrolytic 1 μ F 25WV	
Ce39, 40	CQ93M1H104K	Mylar 0.1 μ F \pm 10%	
Ce41, 42	CC94SL1H151K	Ceramic 150pF \pm 10%	
Ce43, 44	CE04W0F470	Electrolytic 47 μ F 3.15WV	
Ce45, 46	CE04W1E470	Electrolytic 47 μ F 25WV	
Ce47, 48	CE02W1V102	Electrolytic 1000 μ F 35WV	
Ce49, 50	CQ93M1H224M	Mylar 0.22 μ F \pm 20%	
Ce53, 54	CE04W1E100	Electrolytic 10 μ F 25WV	
RESISTOR			
Re1, 2	PD14CY2E222J	Carbon 2.2k Ω \pm 5% 1/4W	
Re3	PD14BY2E683J	Carbon 68k Ω \pm 5% 1/4W	
Re4	PD14CY2E683J	Carbon 68k Ω \pm 5% 1/4W	
Re5, 6	PD14BY2E273J	Carbon 27k Ω \pm 5% 1/4W	
Re7, 8	PD14BY2E223J	Carbon 22k Ω \pm 5% 1/4W	
Re9, 10	PD14BY2E274J	Carbon 270k Ω \pm 5% 1/4W	
Re12	PD14BY2E102J	Carbon 1k Ω \pm 5% 1/4W	
Re13, 14	PD14BY2E334J	Carbon 330k Ω \pm 5% 1/4W	
Re15, 16	PD14BY2E124J	Carbon 120k Ω \pm 5% 1/4W	
Re17, 18	PD14BY2E562J	Carbon 5.6k Ω \pm 5% 1/4W	
Re19, 20	PD14BY2E820J	Carbon 82 Ω \pm 5% 1/4W	
Re21, 22	PD14BY2E182J	Carbon 1.8k Ω \pm 5% 1/4W	
Re23, 24	PD14BY2E152J	Carbon 1.5k Ω \pm 5% 1/4W	
Re25, 26	PD14BY2E270J	Carbon 27 Ω \pm 5% 1/4W	
Re27, 28	PD14BY2E102J	Carbon 1k Ω \pm 5% 1/4W	
Re29, 30	PD14BY2E101J	Carbon 100 Ω \pm 5% 1/4W	
Re31, 32	PD14BY2E153J	Carbon 15k Ω \pm 5% 1/4W	
Re33, 34	PD14BY2E561J	Carbon 560 Ω \pm 5% 1/4W	
Re35, 36	PD14BY2E221J	Carbon 220 Ω \pm 5% 1/4W	
Re37, 38	PD14BY2E104J	Carbon 100k Ω \pm 5% 1/4W	
Re39, 40	PD14BY2E562J	Carbon 5.6k Ω \pm 5% 1/4W	
Re41, 42	PD14BY2E101J	Carbon 100 Ω \pm 5% 1/4W	

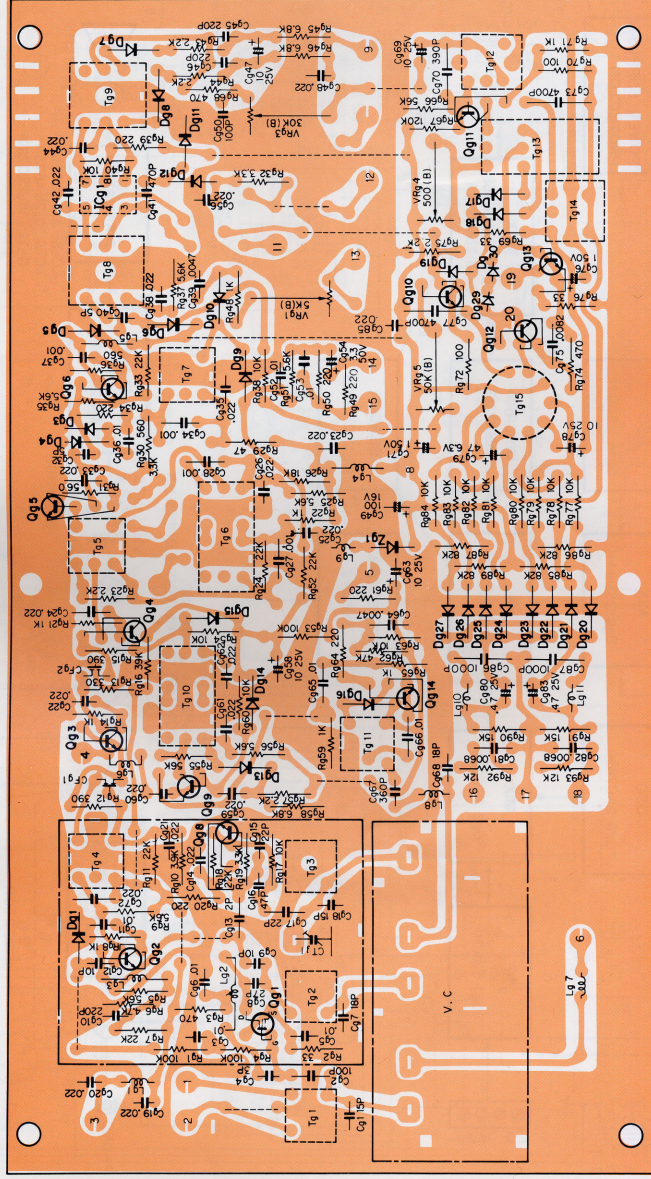
PRE, TONE & MAIN (X09-1040-03) PARTS LIST

Ref. No	Parts No.	Description	Remarks
Re43, 44	PD14BY2E472J	Carbon 4.7k Ω \pm 5% 1/4W	
Re45, 46	PD14BY2E222J	Carbon 2.2k Ω \pm 5% 1/4W	
Re47, 48	RC05GF2H331K	Carbon 330 Ω \pm 10% 1/2W	
Re49, 50	RC05GF2H330K	Carbon 33 Ω \pm 10% 1/2W	
Re51, 52	RC05GF2H331K	Carbon 330 Ω \pm 10% 1/2W	
Re53 ~ 56	RN14AB3DR47K	Metal film 0.47 Ω \pm 10% 2W	
Re57, 58	RC05GF2H4R7K	Carbon 4.7 Ω \pm 10% 1/2W	
Re62	PD14CY2E104J	Carbon 100k Ω \pm 5% 1/4W	
Re63, 64	PD14BY2E472J	Carbon 4.7k Ω \pm 5% 1/4W	
Re65, 66	PD14CY2E471J	Carbon 470 Ω \pm 5% 1/4W	
Re67, 68	PD14CY2E683J	Carbon 68k Ω \pm 5% 1/4W	
Re69, 70	PD14CY2E154J	Carbon 150k Ω \pm 5% 1/4W	
Re71, 72	PD14CY2E391J	Carbon 390 Ω \pm 5% 1/4W	
Re73, 74	PD14CY2E562J	Carbon 5.6k Ω \pm 5% 1/4W	
SEMICONDUCTOR			
Qe1, 2		2SC1416A (BL)	
Qe3, 4		2SC458 LG (C) or (D)	
Qe5, 6		2SC1213A (C)	
Qe7, 8		2SC1213A (B) or (C)	
Qe9, 10		2SA673A (B) or (C)	
Qe11 ~ 14		2SC789 *	
Qe15, 16		2SC1416 (GR) or (BL)	
De1, 2		MV-13	
ThE1, 2		5T-31L	
POTENTIOMETER			
VRe1, 2	R12-0042-05	PC trimmer 500 Ω (B) bias adj.	
VRe3	R12-2008-05	PC trimmer 5k Ω (B) separation adj.	
MISCELLANEOUS			
-	F01-0095-13	Heat sink	
-	J21-0545-04	Thermistor stopper	

PUSHBUTTON SW (X13-1320-11) PARTS LIST

Ref. No.	Parts No.	Description	Remarks
CAPACITOR			
Ch1, 2	CQ93M1H682K	Mylar 0.0068 μ F \pm 10%	
Ch3, 4	CQ93M1H563K	Mylar 0.056 μ F \pm 10%	
RESISTOR			
Rh5, 6	PD14BY2E682J	Carbon 6.8k Ω \pm 5% 1/4W	
Rh7, 8	PD14BY2E103J	Carbon 10k Ω \pm 5% 1/4W	
Rh9, 10	PD14BY2E682J	Carbon 6.8k Ω \pm 5% 1/4W	
SWITCH			
S2 ~5	S41-4005-05	Pushbutton switch (4 keys)	

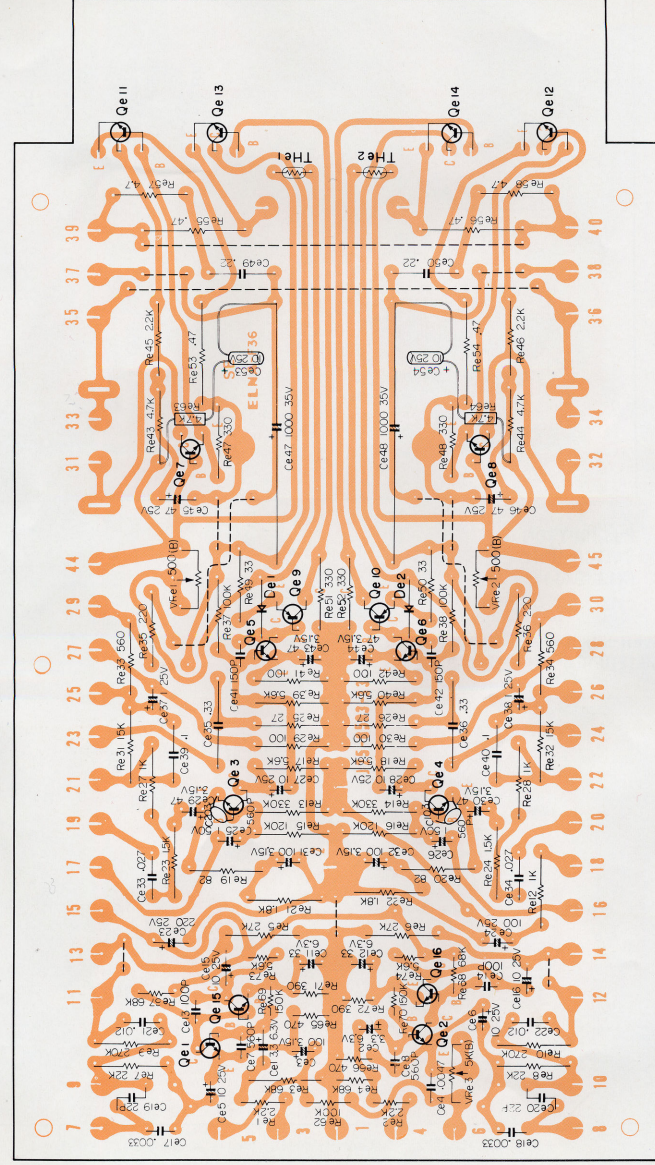
**TUNER UNIT ▶
(X05-1080-11)**



Og1: 3SK30(B) or (C), Og2~6: 2SC381(R), Og8: 2SC785(R), Og9: 2SC941(O),
Og10: 2SA733(O) or (R), Og11, 12: 2SC458(D), Og13: 2SC1213A(C), Og14: 2SC941(O)
Icgl: μ PC555A(R) or (B), Dg1: 1N60, Dg1: 1N60, Dg3, 4: 1N1555 or 1S2076,
Dg5~12: 1N60, Dg13: 1S1555 or 1S2076, Dg14~18: 1N60, Dg19: 1S1555 or 1S2076,
Dg20~27: 1N60, Dg29, 30: MV-13, Zgl: DZ-140

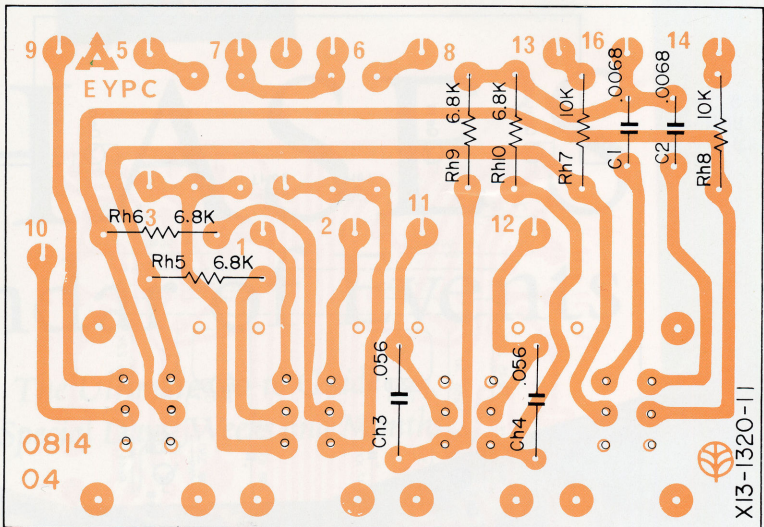
PC BOARD

**PRE, TONE & MAIN AMP UNIT ▶
(X09-1040-03)**



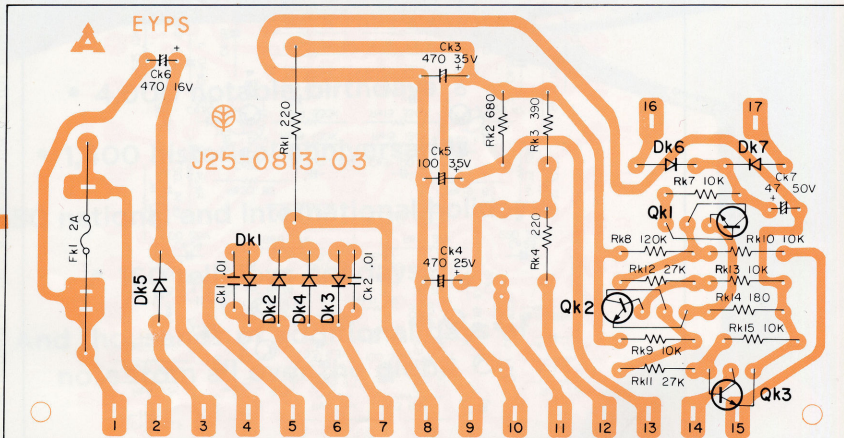
Oe1, 2: 2SC1416A(BL), Oe3, 4: 2SC4581(G) or (D), Oe5, 6: 2SC1213A(C),
Oe7, 8: 2SC1213A(B) or (C), Oe9, 10: 2SA673A(B) or (C), Oe11~14: 2SC789,
Oe15, 16: 2SC1416(GR) or (BL), Del1, 2: MV-13, The1, 2: 5T-31L

PC BOARD



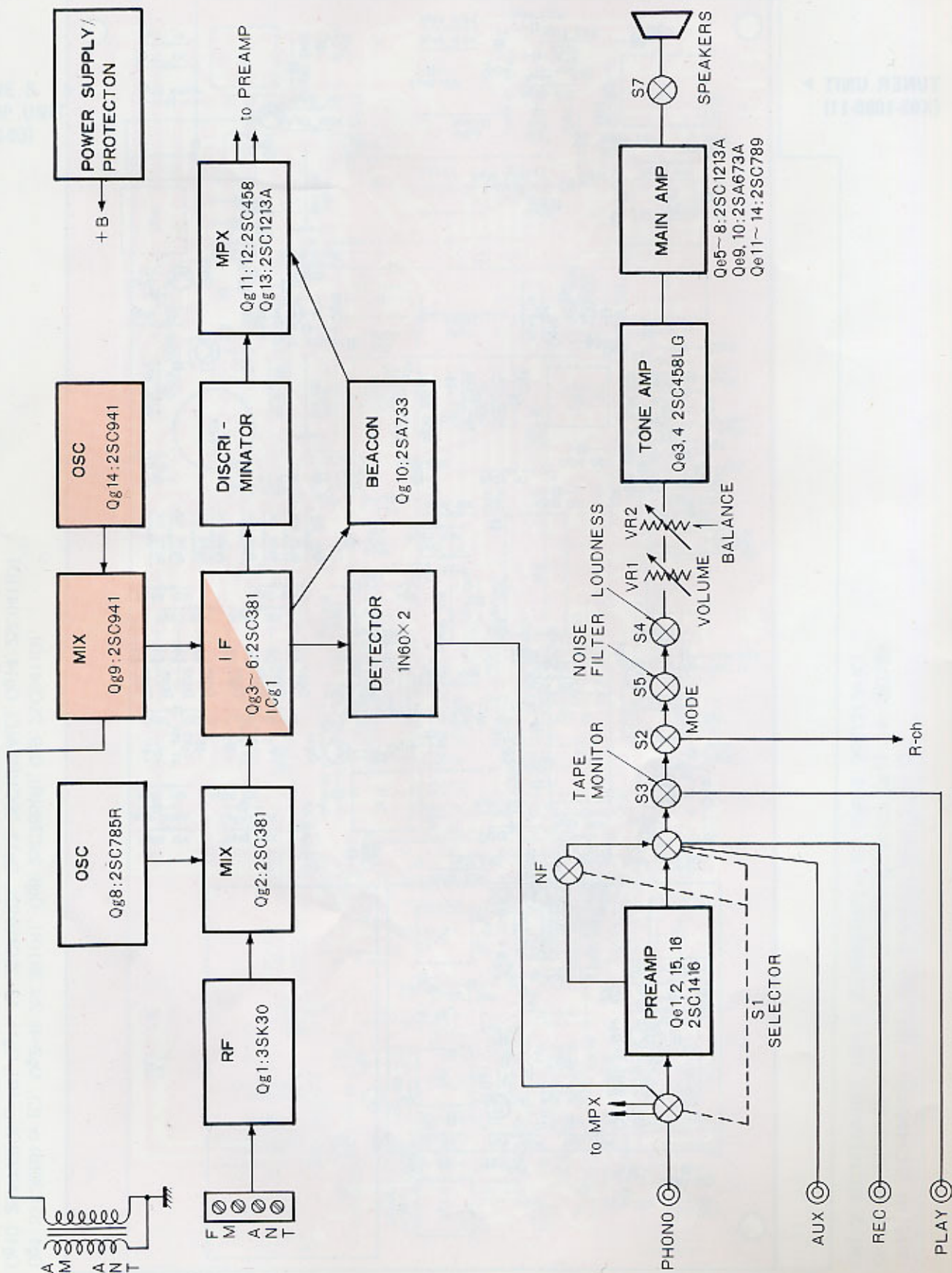
**PUSHBUTTON ▲
SWITCH UNIT
(X13-1320-11)**

**POWER SUPPLY ▼
(X00-1210-10 or 01)**

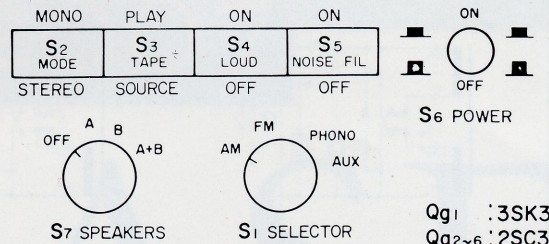
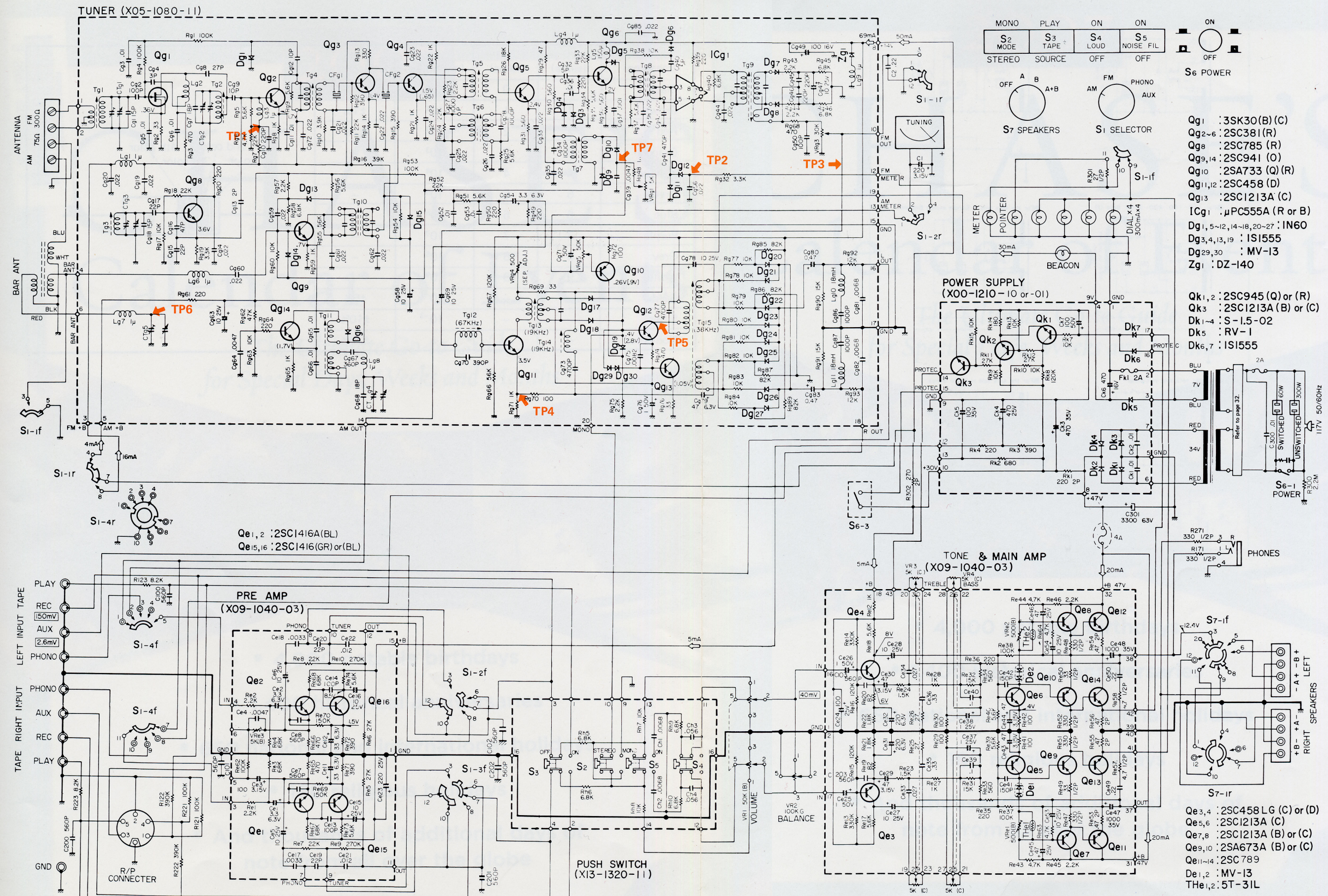


Qk1, 2: 2SC945 (Q) or (R), Qk3: 2SC1213A (B) or (C), Dk1 ~ 4: S-1.5-02, Dk5: RV-1, Dk6, 7: 1S1555

BLOCK DIAGRAM



CIRCUIT DIAGRAM

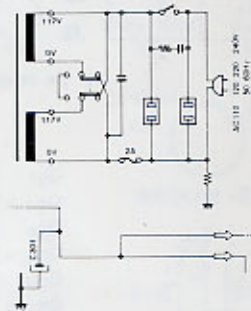


- Qg1 : 3SK30(B) (C)
- Qg2-6 : 2SC381(R)
- Qg8 : 2SC785 (R)
- Qg9,14 : 2SC941 (O)
- Qg10 : 2SA733 (Q) (R)
- Qg11,12 : 2SC458 (D)
- Qg13 : 2SC1213A (C)
- ICg1 : μ PC555A (R or B)
- Dg1, 5-12, 14-18, 20-27 : IN60
- Dg3, 4, 13, 19 : IS1555
- Dg29, 30 : MV-13
- Zg1 : DZ-140
- Qk1, 2 : 2SC945 (Q) or (R)
- Qk3 : 2SC1213A (B) or (C)
- Dk1-4 : S-1.5-02
- Dk5 : RV-1
- Dk6, 7 : IS1555

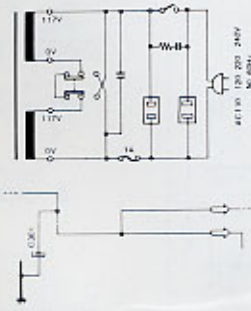
- Qe3, 4 : 2SC458 LG (C) or (D)
- Qe5, 6 : 2SC1213A (C)
- Qe7, 8 : 2SC1213A (B) or (C)
- Qe9, 10 : 2SA673A (B) or (C)
- Qe11-14 : 2SC789
- De1, 2 : MV-13
- The1, 2 : 5T-31L

REVISED CIRCUITS

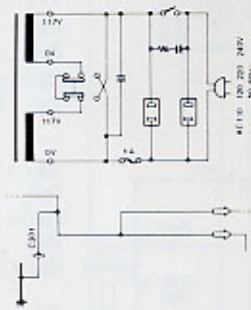
■ For 110-120/220-240V Sets (1)



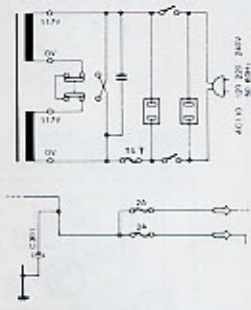
■ For the sets sold in England



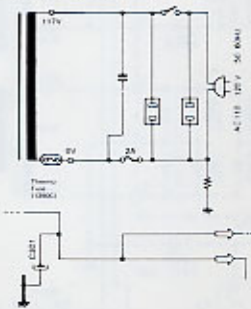
■ For 110-120/220-240V Sets (2)



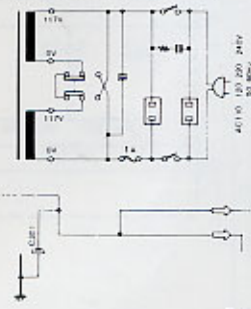
■ For the sets sold in Europe except England



■ For the sets sold in Canada



■ For the sets sold in South Africa

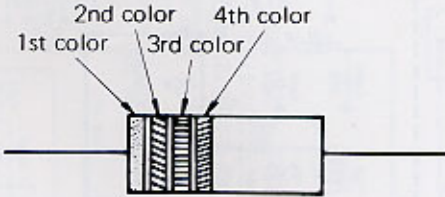


For KR 3200

COLOR CODE

RESISTOR

COLOR (meaning)	1st (value)	2nd (value)	3rd (multiplier)	4th (tolerance)
Black	0	0	10^0	—
Brown	1	1	10^1	$\pm 1\%$
Red	2	2	10^2	$\pm 2\%$
Orange	3	3	10^3	—
Yellow	4	4	10^4	—
Green	5	5	10^5	—
Blue	6	6	10^6	—
Purple	7	7	10^7	—
Grey	8	8	10^8	—
White	9	9	10^9	—
Gold	—	—	10^{-1}	$\pm 5\%$
Silver	—	—	10^{-2}	$\pm 10\%$
Non-color	—	—	—	$\pm 20\%$



The diagram shows a resistor with four color bands. The bands are labeled from left to right as 1st color, 2nd color, 3rd color, and 4th color. The resistor is shown with two leads extending from its ends.

SPECIFICATIONS

FM TUNER SECTION

Antenna Impedance	300 ohms balanced & 75 ohms unbalanced
Usable Sensitivity, IHF	2.3 μ V
Quieting Slope	48 dB at 5 μ V 60 dB at 10 μ V 63 dB at 50 μ V
Frequency Response	+0.5 dB, -2.0 dB, 20 Hz to 15,000 Hz
Harmonic Distortion (at 400 Hz, 100% Mod)	Mono Less than 0.5% Stereo Less than 0.9%
Signal-to-Noise Ratio	Better than 63 dB
Capture Ratio, IHF	3.5 dB
Selectivity, IHF (Alt. channel)	Better than 50 dB
Image Rejection	Better than 60 dB
IF Rejection	Better than 90 dB
Spurious Signal Rejection	Better than 80 dB
AM Suppression	Better than 60 dB
Stereo Separation	Better than 35 dB at 1,000 Hz Better than 20 dB at 10,000 Hz
Sub Carrier Suppression	Better than 45 dB

AM TUNER SECTION

Antenna	Built-in ferrite antenna External antenna terminals
Usable Sensitivity, IHF	25 μ V
Signal-to-Noise Ratio	Better than 45 dB at 1 mV input
Selectivity, IHF	Better than 30 dB
Image Rejection	Better than 45 dB
IF Rejection	Better than 35 dB

AMPLIFIER SECTION

Power Output	27 watts RMS continuous power at Both channel drive. (13.5 watts per channel). Both channels operating simultaneously into 8 ohms load at any frequency from 50 Hz to 20,000 Hz. 24/24 watts. Each channel operating into 4 ohms at 1,000 Hz. 18.5/18.5 watts. Each channel operating into 8 ohms at 1,000 Hz. 20/20 watts. Both channel operating into 4 ohms at 1,000 Hz. 17/17 watts. Both channel operating into 8 ohms at 1,000 Hz. 60 watts IHF total Dynamic power into 4 ohms. 42 watts IHF total Dynamic power into 8 ohms.
--------------	--

Harmonic Distortion	Less than 1.0% at rated output Less than 0.2% at -3 dB rated output
Intermodulation Distortion	Less than 1.0% at rated output Less than 0.2% at -3 dB rated output
Frequency Response (High Level Input)	\pm 2 dB, 25 Hz to 35,000 Hz
Power Bandwidth, IHF	25 Hz to 25,000 Hz
Input Sensitivity (Input Impedance)	PHONO 3 mV, (50K ohms) AUX 180 mV, (30K ohms)
Recording Output (Below rated input)	TAPE PLAY 200 mV, (45K ohms) TAPE REC. 180 mV
Signal-to-Noise Ratio	DIN Connector 30 mV PHONO 63 dB AUX 75 dB TAPE PLAY 75 dB
Damping Factor	50 at 8 ohms load
Speaker Impedance	Accepts 4 to 16 ohms
Bass Control	\pm 10 dB at 100 Hz
Treble Control	\pm 10 dB at 10,000 Hz
Noise Filter	-10 dB at 10,000 Hz
Loudness Control (-30 dB)	+10 dB at 100 Hz

GENERAL

Switches,	SPEAKERS SELECTOR	OFF-A-B-A+B AM-FM-PHONO-AUX
MODE	Others	MONO - STEREO TAPE MONITOR NOISE FILTER; LOUDNESS
AC Outlets		1 switched & 1 unswitched
Power Consumption		85 watts at full power 20 watts at no signal
Dimensions		17-1/8" W, 5-3/4" H, 13-5/8" D
Weight		20.3 lbs.

KENWOOD ELECTRONICS, INC.

- 15777 SOUTH BROADWAY, GARDENA, CALIFORNIA 90248
- 72-02 51ST AVENUE, WOODSIDE, N.Y. 11377

CANADIAN EXCLUSIVE DISTRIBUTOR

MAGNASONIC CANADA LTD.

- 4980 BUCHAN ST. MONTREAL P.Q, CANADA
- 14 BANIGAN DRIVE THORNCLIFFE PARK TORONTO CANADA