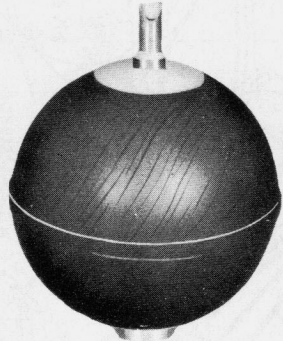




# SERVICE MANUAL



GB-1E

## MODEL 5303/GB-1E, 5303-2/GB-1E-2 Hi-Fi SPEAKER BAFFLES

### SPECIFICATIONS

	GB-1E	GB-1E-2
DIMENSIONS		
Height		
Width	14 3/8"	13 1/2"
Depth	(Diameter)	(Diameter)
WEIGHT (lbs)	28.6	26.4
Type	Perfect closed globe type 2 way speaker system	Perfect closed globe type 2 way speaker system
Speakers		
Woofer	5" roll free edge double	5" roll free edge
Squawker	cone speaker × 4	cone speaker × 4
Tweeter	2" Horn Speaker × 4	2" Horn Speaker × 4
Frequency range	20 ~ 20,000 c/s	20 ~ 20,000 c/s
Crossover frequency	5,000 c/s	5,000 c/s
Impedance	8 Ω	8 Ω
Power rating	40W (Max.)	40W (r.m.s. Max.) 80W (Peak Max.)



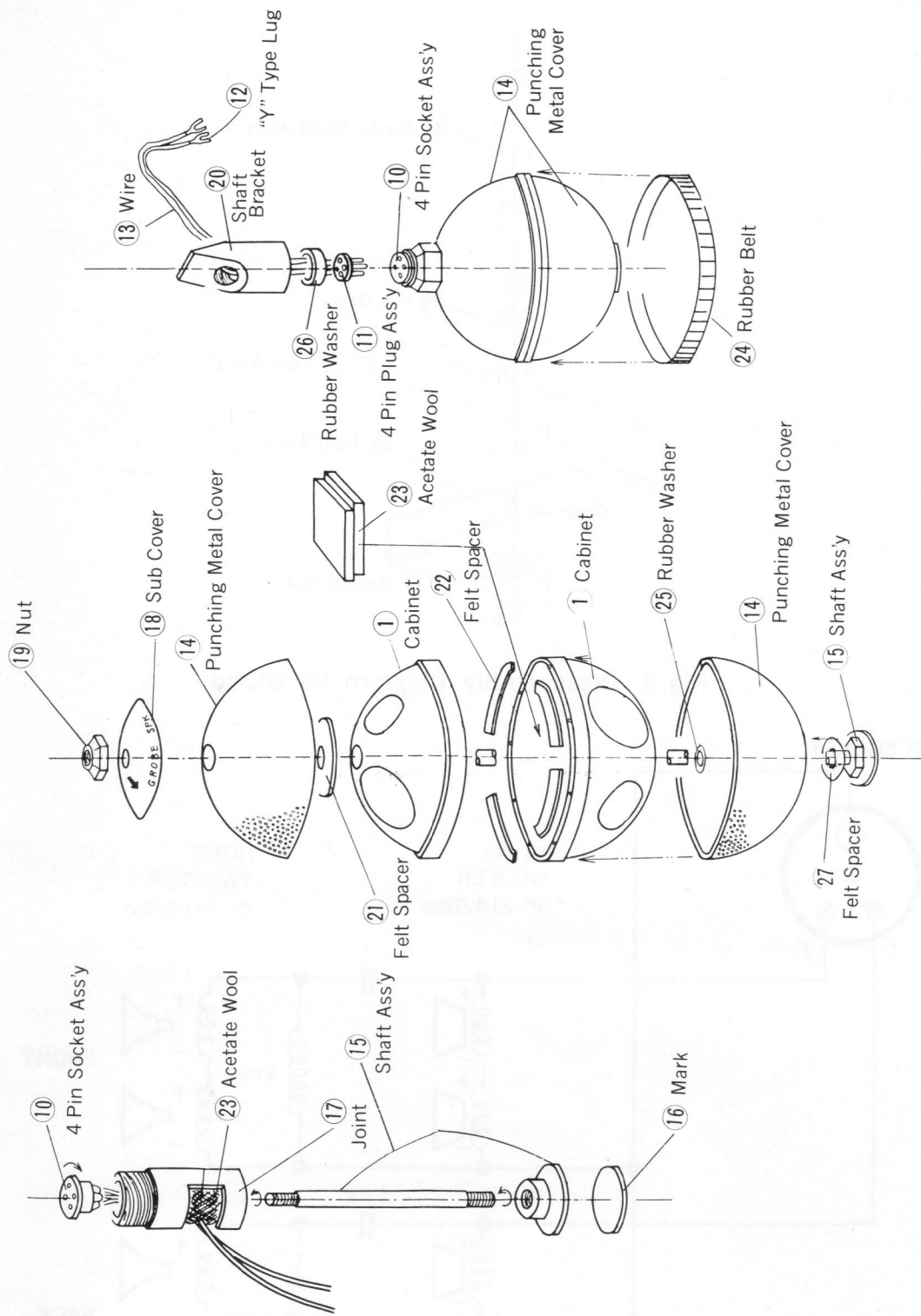


Fig.2 Disassembly Diagram

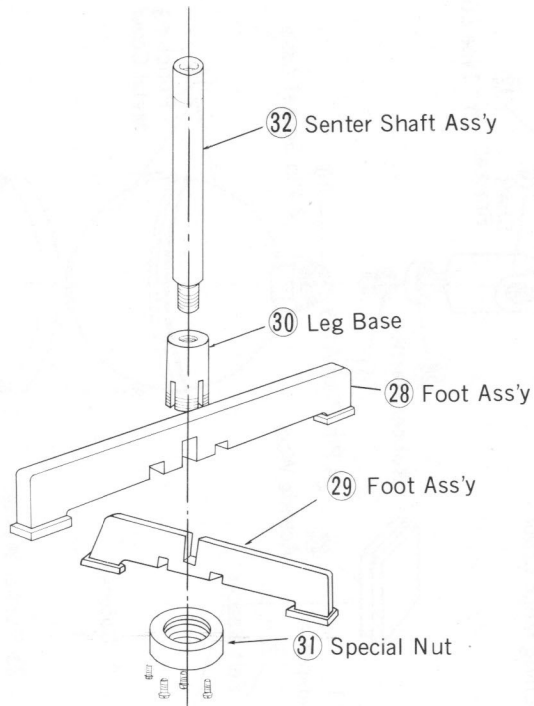


Fig.3 Disassembly Diagram for Stand

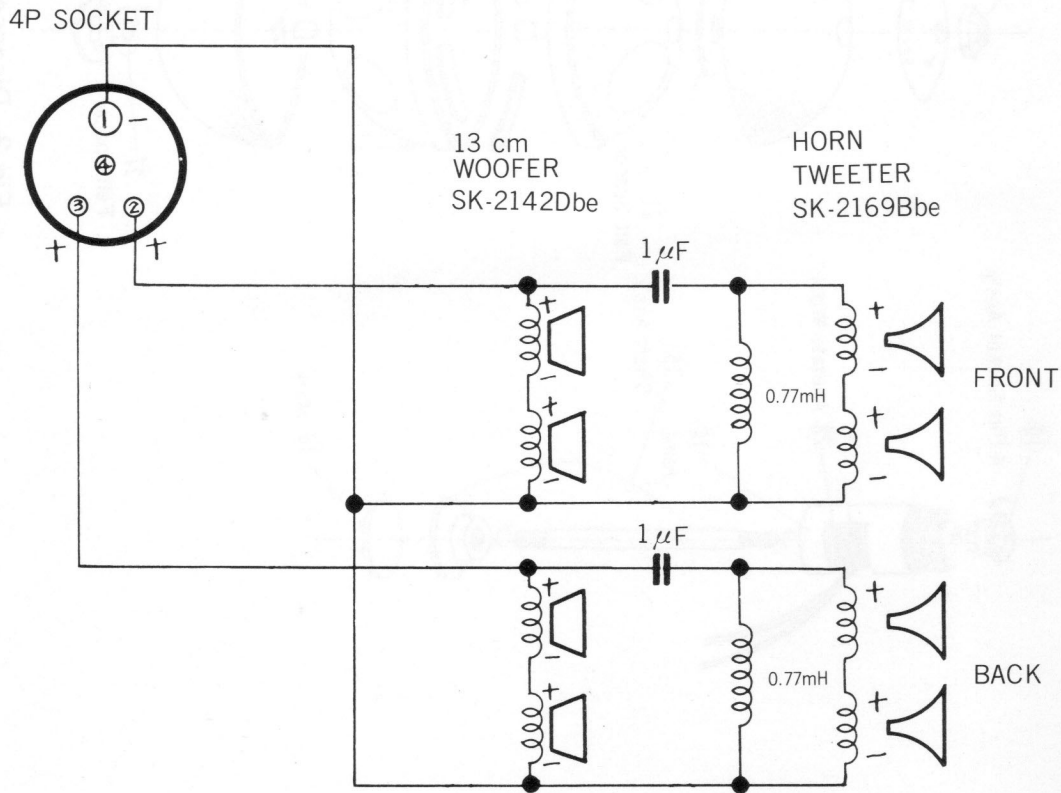


Fig.4 Schematic Diagram

## The List of Main Parts for Replacement

DWG. NO.	Parts Name	Parts No.		Description
		GB-1E/5303	GB-1E-2/5303-2	
1	Cabinet	E1301	E1301-2	
2	Speaker	SK2142Dbe	SK2142Dbe	Woofers
3	Horn Speaker	SK2169Bbe	SK2169Bbe	Tweeter
4	Spacer	E40668-1	E40668-1	for Woofers
5	Spacer	E40663	E40663	for Tweeter
6	Choke Coil	E0798-D	E0798-D	0.77mH
7	Non-Polarized Capacitor	Q03160-2	Q03160-1	25V
8	Bracket	E41523	E41523	
9	Lug Strip Ass'y	Q03001-31	Q03001-31	
10	4 Pin Socket Ass'y	E04123	E04123	
11	4 Pin Plug Ass'y	E04124	E04124	} E41577 Plug & wire Ass'y
12	"Y" Type Lug	41037-2	41037-2	
13	Wire	E41576	E41576	
14	Punching Metal Cover	E30861	E30861-002	
15	Shaft Ass'y	E42799-001	E42799-001	
16	Mark	D41469-2	E45382-001	
17	Joint	E41337	E41337-2	
18	Sub Cover	E30869-2	E30869-8	
19	Nut	E41336	E41336-2	
20	Shaft Bracket	E41349	E41349-2	
21	Felt Spacer	E41840	E41840-002	
22	Felt Spacer	E30952	E30952	
23	Acetate Wool	E41575-1	E41575-1	
24	Rubber Belt	E30941	E20443-001	
25	Rubber Washer	E50622		
26	Rubber Washer	E41848		
27	Felt Spacer		E45618-001	
28	Leg Ass'y	E20422-001	E20422-001	} Main Parts for Stand
29	Leg Ass'y	E20422-002	E20422-002	
30	Leg Base	E41876	E41876	
31	Special Nut	E41877	E41877	
32	Center Shaft Ass'y	E30966-A	E30966-A	
	Instruction Book	E30580-49B	E30580-190A	

### Requirement to Customers

For the purpose of prompt supply of service parts, inscribe parts name, parts number, and model name correctly when you order.

As to order of spare cabinet, please give it as early occasion as possible since it is very difficult to remanufacture later.

# The List of NIVICO Service Manual

(Phonograph)

No.	Model	No.	Model	No.	Model	No.	Model	No.	Model	No.	Model	No.	Model	No.	Model
2001	STL-37	2011	STL-39	2021	STP-100	2031	N400(S)	2041	N511	2051	N61	2061	TPE-8	2071	{AA-2E AA-500
2002	STP-4	2012	STL-13	2022	STP-200	2032	N350	2042	STP-6	2052	ARC-10F	2062	N240	2072	AST-220E
2003	2020N	2013	STL-33	2023	STP-3	2033	N600	2043	TPE-20	2053	ARC-11A,12A	2063	N65	2073	TRE-12S
2004	ARC-2B	2014	STL-34	2024	TPE-10	2034	N800	2044	STP-5	2054	N21, N31	2064	STP-5T	2074(B)	{SRP-47IE & (R#-2)
2005	646N	2015	SRE-30	2025	TRE-45	2035	NP-6	2045	4TR-4	2055	N460C	2065	N466C	2075	FRS-103E
2006	N550	2016	SRP-105etc.	2026	N300	2036	TRE-6	2046	N191	2056	N661	2066	N880	2076	N455, N590
2007	1025N	2017	STL-14	2027	N310	2037	J-141W	2047	STP-7	2057	N55	2067	N170	2077	N177, 178, 185
2008	4TR-31N	2018	STL-65	2028	N120S	2038	N-11	2048	N23IS	2058	4TR-4U	2068	N45	2078	N440
2009	N225S	2019	TRE-5	2029	ASP-850A	2039	N510, 512	2049	N130SE	2059	TRE-8N	2069	N710	2079	4TR-55U
2010	ARC-1B	2020	SRE-221	2030	ASP-820A	2040	N40, 41	2050	TPE-21	2060	N-51	2070	N41SR	2080	AST-320E

No.	Model	No.	Model	No.	Model	No.	Model	No.	Model	No.	Model	No.	Model	No.	Model
2081	4TR-3U	2091	ARC-30A, 30B	2101	N760MG, N99U	2111(B)	STC-707C(R#2)	2121	5007	2131	STP-808A	2141	5320, 5340		
2082	N-55T	2092	4TR-55T	2102	SRP-472E	2112	SST-61	2122	L-21M	2132	ARC-41, -42	2142	L311D		
2083	SRE-103E	2093	{N670, N770 4TR-99u, etc.	2103	SRP-469E	2113	{FRS-103EH.V (R#-2)	2123	ARC-10 Series	2133	TRE-666C	2143	6102, 6103, 6104		
2084	N590F, 4TR-590F	2094	STP-7LA	2104	ARC-10L	2114	STP-808C	2124	5003	2134	4TR-990	2144	ARC-10Y		
2085	ARC-40A	2095	TRE-26C	2105	{BLA-204, 208 BLA-304, 30E	2115	SSL-95E	2125	L-311C	2135	5001	2145	{5011/PST-1000P 5012/MST-1000E		
2086	TRE-12F	2096	STP-7F	2106	AST-140E	2116	MSL-16T	2126	5204	2136	SRP-B30E/5230	2146	5201		
2087	SRP-467E	2097	N880 (R#-2)	2107	ARC-12C,E	2117	AST-215E	2127	{4210, 4220, 4230 & (R#-2)	2137	N-65F	2147	MSL-300E		
2088	SRP-468E	2098	N163	2108	CSL-1E	2118	SRC-700U	2128	5305	2138	{4TR-511D, L511D	2148	5310		
2089	ECA-101E	2099	4TR-6U	2109	MSL-8E	2119	AST-102E	2129	TRE-12T	2139(B)	SRP-B40E/5240	2149	MSL-110S		
2090	STC-19	2100	MSL-15E	2110	SST-31	2120	{No. 200E Series	2130	5304	2140	5203	2150			