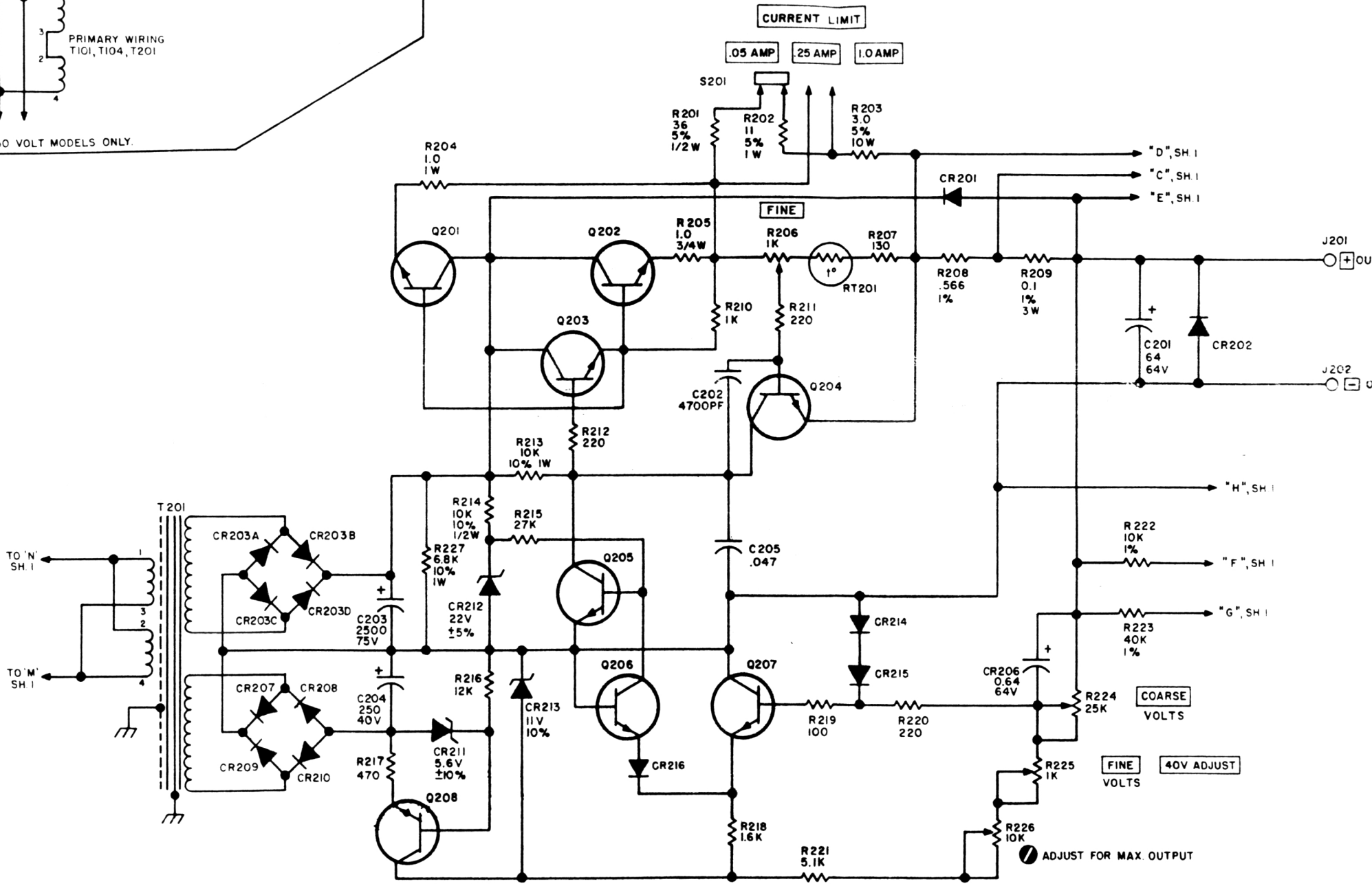
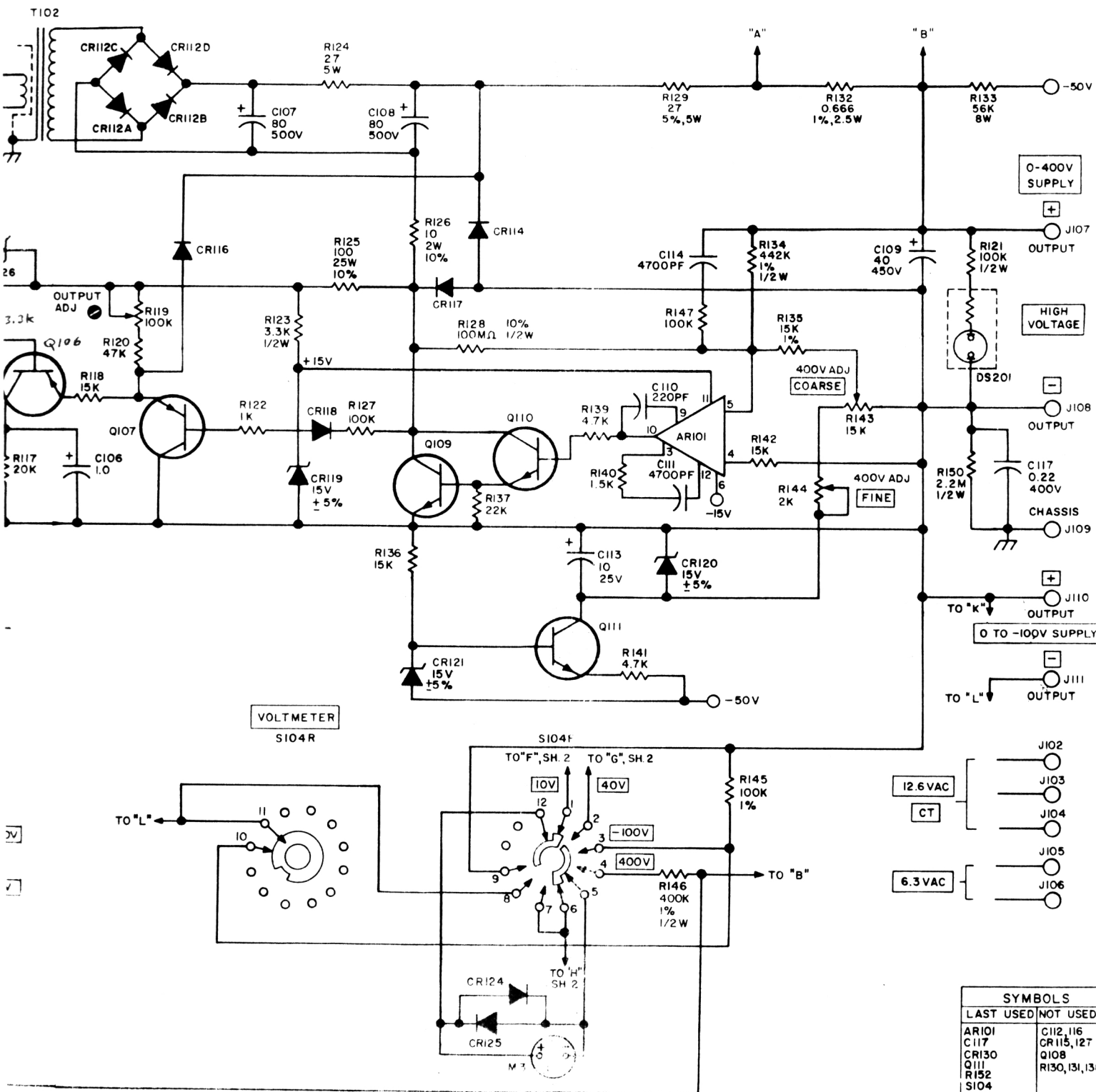


ON 230 VOLT MODELS ONLY.



SYMBOLS	
[Symbol]	LAST USED
[Symbol]	NOT USED



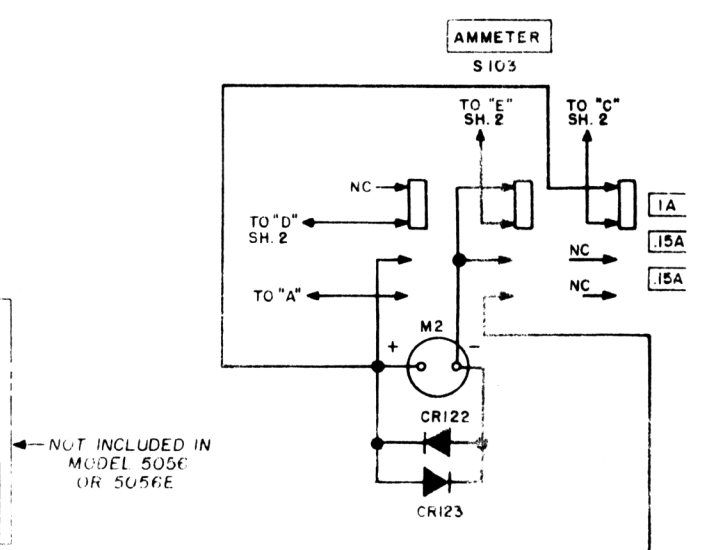
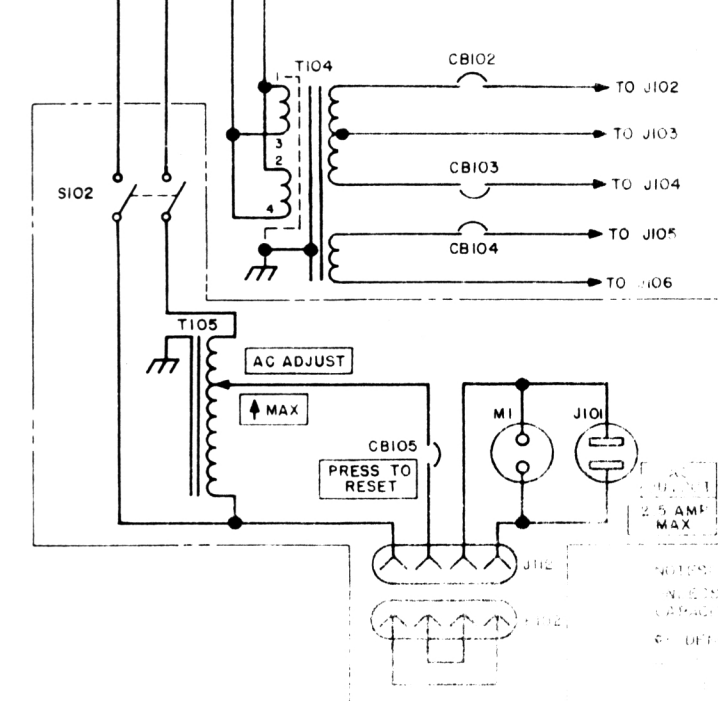
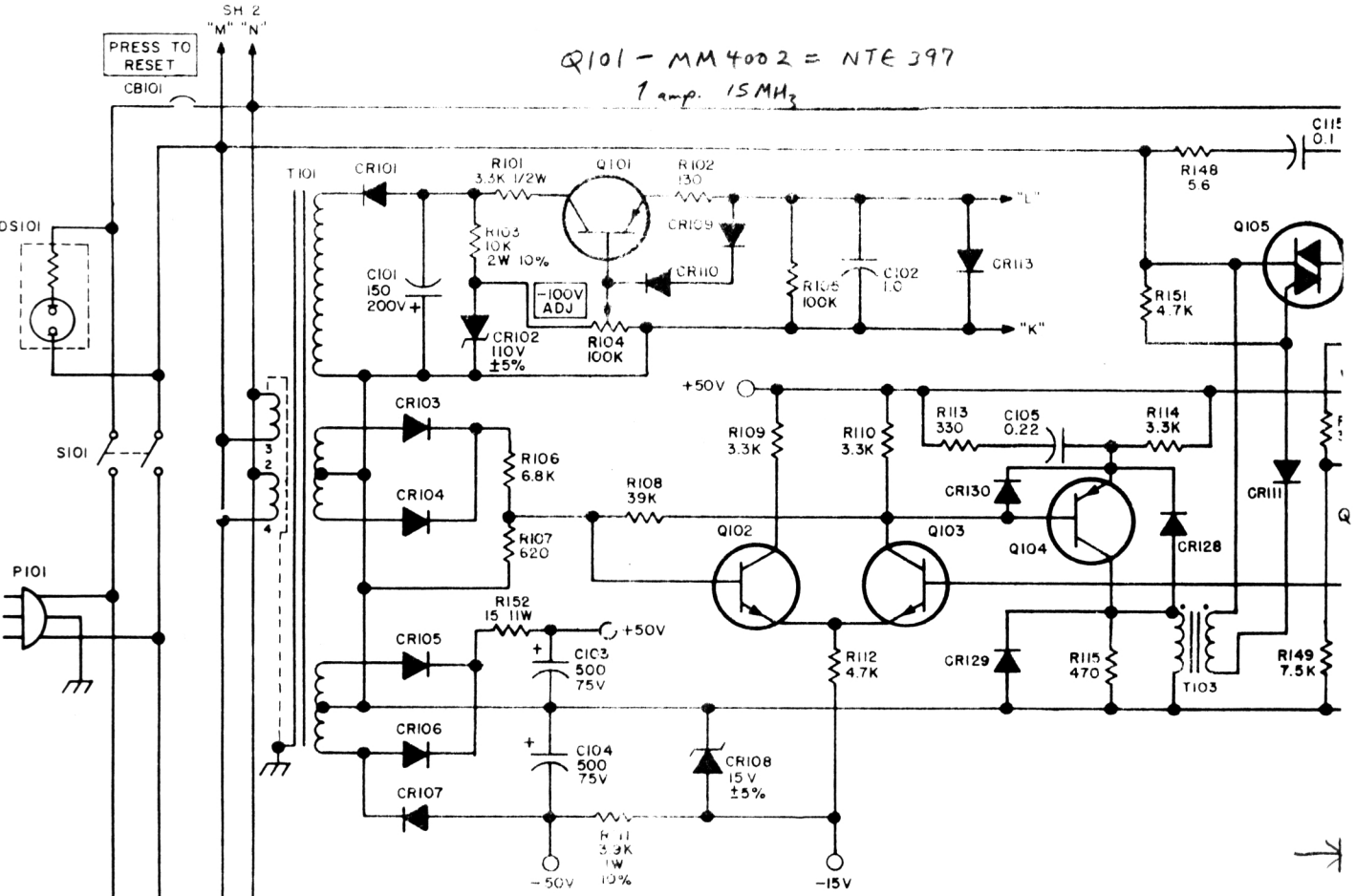
MODEL	STYLE NO.	AC LINE VOLTAGE
5055	905-068	115V RMS
5056	905-071	(NOMINAL)
5055E	905-077	230V RMS
5056E	905-078	(NOMINAL)

SH. 1 OF 2

SCHEMATIC WIRING DIAG. MODEL 5055 & 5056
POWER SUPPLY (400V)

SYMBOLS	
LAST USED	NOT USED
AR101	CI12, 116
CI17	CR115, 127
CR130	Q108
Q111	RI30, 131, 138
RI52	
S104	
T106	
J112	
DS102	
CB105	
M3	
P102	

Q101 - MM4002 = NTE 397
 1 amp. 15MHz



NOTES:
 1. UNLESS OTHERWISE SPECIFIED, ALL RESISTOR VALUES ARE IN OHMS, 1/4W, 5%
 CAPACITOR VALUES ARE MICROGRADS
 2. REFLECTS CONNECTION
 3. CONNECTION
 4. COMPONENT NOMENCLATURE
 5. COMPONENTS SHOWN AS WIRING IN 110 VOLT MODELS 5055 AND 5056.
 MODELS 5055 AND 5056 REFER TO ALTERNATE WIRING DIAGRAM
 ON SHEET 2 OF THIS DRAWING