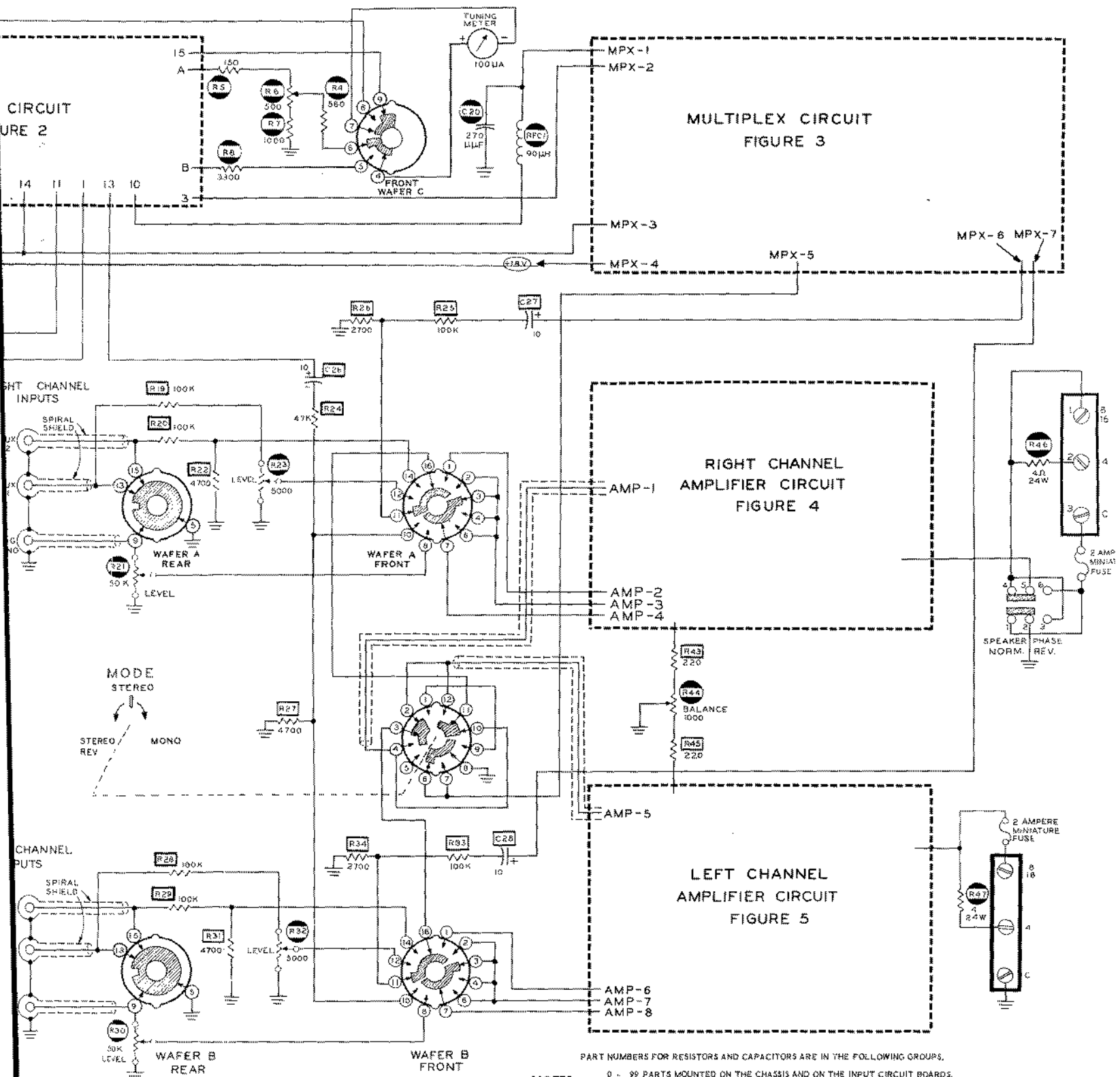


MAIN SCHEMATIC

FIGURE 2



SCHEMATIC OF THE HEATHKIT AM-FM STEREO TRANSISTOR RECEIVER MODEL AR-13A

PART NUMBERS FOR RESISTORS AND CAPACITORS ARE IN THE FOLLOWING GROUPS.

- 0 - 99 PARTS MOUNTED ON THE CHASSIS AND ON THE INPUT CIRCUIT BOARDS.
- 100 - 199 PARTS IN THE FM TUNING UNIT.
- 200 - 299 PARTS IN THE FM-AM CIRCUIT BOARD.
- 300 - 399 PARTS ON THE MULTIPLEX CIRCUIT BOARD.
- 400 - 499 PARTS IN THE RIGHT CHANNEL AMPLIFIER (INCLUDING THE PARTS ON THE RIGHT PREAMPLIFIER AND TERMINAL BOARDS).
- 500 - 599 PARTS ON THE LEFT CHANNEL AMPLIFIER (INCLUDING THE PARTS ON THE LEFT PREAMPLIFIER AND TERMINAL BOARDS).

- NOTES:**
- ⊙ THIS SYMBOL AROUND A PART NUMBER MEANS THAT THIS PART IS MOUNTED ON THE CHASSIS, EVEN WHEN ITS POSITION ON THE SCHEMATIC SUGGESTS ANOTHER LOCATION.
 - THIS SYMBOL AROUND A PART NUMBER MEANS THAT THIS PART IS MOUNTED ON THE INPUT CIRCUIT BOARD.
 - ALL SECTIONS OF THE SOURCE SWITCH ARE VIEWED FROM THE KNOB END OF THE SHAFT, AND ARE SHOWN IN THE FM STEREO POSITION.
 - THE MODE SWITCH IS SHOWN IN THE STEREO POSITION, AND IS VIEWED FROM THE REAR OF THE SWITCH.
 - ALL RESISTORS ARE 1/2 WATT UNLESS MARKED OTHERWISE.
 - ALL RESISTOR VALUES ARE IN OHMS (K = 1000, MEO = 1,000,000).
 - ALL CAPACITOR VALUES ARE IN μFD UNLESS MARKED OTHERWISE.
 - ⊖ INDICATES A DC VOLTAGE MEASUREMENT, TAKEN WITH AN 11 MEGOHM VTVM, FROM POINT INDICATED TO CHASSIS GROUND. VOLTAGES MAY VARY ±10%.
 - VOLTAGES MEASURED WITH NO SIGNAL INPUT.
 - REFER TO THE X-RAY AND CHASSIS VIEWS (PAGES 105 TO 106) FOR THE PHYSICAL LOCATION OF PARTS.