

Service Manual

THE FISHER



400-CX

CHASSIS SERIAL NUMBERS
FROM 30001 TO 39999 INCLUSIVE

\$1.00

PARTS DESCRIPTION LIST

CAPACITORS

10% tolerance for all fixed capacitors, unless otherwise noted or marked GMV (guaranteed minimum value).

Symbol	Description	Part No.	Part No.
C1, 2	Ceramic, 100uuf, N1500, 100V	C50070-6	R33DC224J
C3, 4	Mylar, .022uf, 250V	C50197-49	RPG3W472K
C13, 14	Mylar, .047uf, 250V	C50197-52	RC20BF304J
C30, 31	Ceramic, 100uuf, N1500, 1000V	C50070-6	R33DC104J
C32	Electrolytic, 2 section	C50180-29	RC20BF153K
	A — 1000uf, 35V		RC20BF152K
	B — 1000uf, 35V		RC20BF334K
C33	Electrolytic, 4 section	C50180-10	R33DC475J
	A — 40uf, 450V		R33DC224J
	B — 10uf, 450V		R33DC272J
	C — 10uf, 450V		R33DC104J
	D — 40uf, 450V		R33DC474J
C34	Electrolytic, 4 section	C50180-30	R50160-65
	A — 30uf, 350V		R33DC474J
	B — 10uf, 250V		RC20BF330K
	C — 30uf, 350V		RC20BF275J
	D — 10uf, 300V		RC20BF225J
C35, 36	Ceramic, .005uf, 20%, 500V	C50089-1	R33DC474J
C37, 38	Ceramic, .0039uf, 1000V	C50072-34	R33DC224J
C41, 42	Mylar, .1uf, 250V	C50197-54	R33DC272J
C43, 44,			R33DC104J
45, 46	Electrolytic, 50uf, 3V	C50283-1	R33DC473K
C47, 48	Mylar, .1uf, 250V	C50197-54	R30BF683K
C49, 50	Ceramic, 33uuf, 5%, N150, 1000V	C50070-25	R33DC474J
C51, 52	Ceramic, 24uuf, 5%, N150, 1000V	C50070-8	R33DC103J
C53, 54	Mylar, .033uf, 250V	C50197-51	R33DC224J
C55, 56	Ceramic, 2700uuf, 1000V	C50072-17	R33DC224J
C57, 58	Electrolytic, 50uf, 3V	C50283-1	R33DC272J
C59, 60	Ceramic, 300uuf, 1000V	C50072-39	R33DC223J
C63, 64	Ceramic, 1000uuf, 1000V	C50072-3	R50160-69
C65, 66	Ceramic, 220uuf, 1000V	C50072-20	R33DC474J
C67, 68	Mylar, .68uf, 250V	C50197-57	R50160-66
C69, 70	Ceramic, 220uuf, 1000V	C50072-20	R50160-67
C71, 72	Mylar, .047uf, 250V	C50197-52	R50160-68
C73, 74	Mylar, .68uf, 250V	C50197-57	R33DC274J
C75, 76,			RC20BF152K
77, 78	Electrolytic, 50uf, 3V	C50283-1	RC20BF184K
C79, 80	Mylar, .68uf, 250V	C50197-57	R30BF683K

RESISTORS AND POTENTIOMETERS

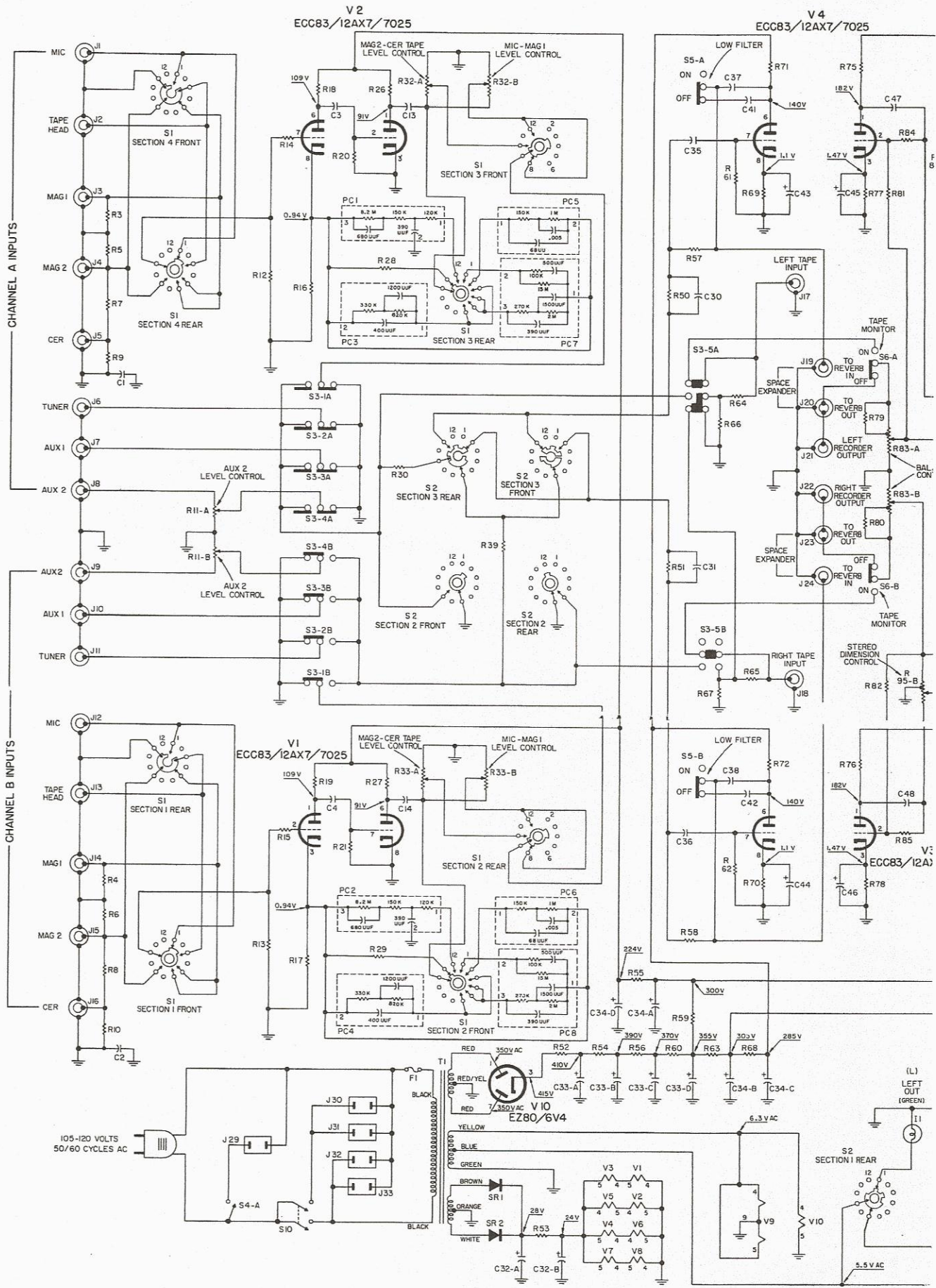
In ohms, 10% tolerance, 1/2 watt, unless otherwise noted. K=Kilohm, M=Megohm.

Symbol	Description	Part No.	Part No.
R3, 4, 5, 6	Dep. Carbon, 100K, 5%, 1/3 W	R33DC104J	F795-136
R7, 8,			
9, 10	Dep. Carbon, 120K, 5%, 1/3 W	R33DC124J	150009-1
R11	Potentiometer, Dual, 250K, aux. 2 level	R50160-71	PC50187-7
R12, 13	Dep. Carbon, 100K, 5%, 1/3 W	R33DC104J	PC50187-6
R14, 15	Dep. Carbon, 10K, 5%, 1/3 W	R33DC103J	PC50187-8
R16, 17	Glass, 2.7K, 5%, 1W	R30G272J	PC50187-3
R18, 19	Glass, 330K, 5%, 1W	R30G334J	PC657-140
R20, 21	Dep. Carbon, 4.7M, 5%, 1/3 W	R33DC475J	P50181
R26, 27	Dep. Carbon, 220K, 5%, 1/3 W	R33DC224J	S851-126
R28, 29	Composition, 560K	RC20BF564K	S851-127
R30	Dep. Carbon, 100K, 5%, 1/3 W	R33DC104J	S851-119
R32, 33	Potentiometer, Dual, 250K, Mag. 1 & Mag. 2 level	R50160-71	Part of R124
R39	Dep. Carbon, 100K, 5%, 1/3 W	R33DC104J	S50200-5
R50, 51	Dep. Carbon, 120K, 5%, 1/3 W	R33DC124J	Part of R120
R52	Glass, 330, 3W	RPG3W331K	SR851-121
R53	Wirewound, 10K, 7W	R851-128	T851-115
R54	Glass, 1K, 3W	RPG3W102K	AS851-106
R55	Composition, 47K	RC20BF473K	AS50004-1
R56	Glass, 1K, 3W	RPG3W102K	E851-116
R57, 58	Composition, 1.5M	RC30BF155K	E50323
R59	Glass, 5.6K, 3W	RPG3W562K	E50221
R60	Glass, 1K, 3W	RPG3W102K	E50325-1
			150162-1
			150162-2
			150162-4

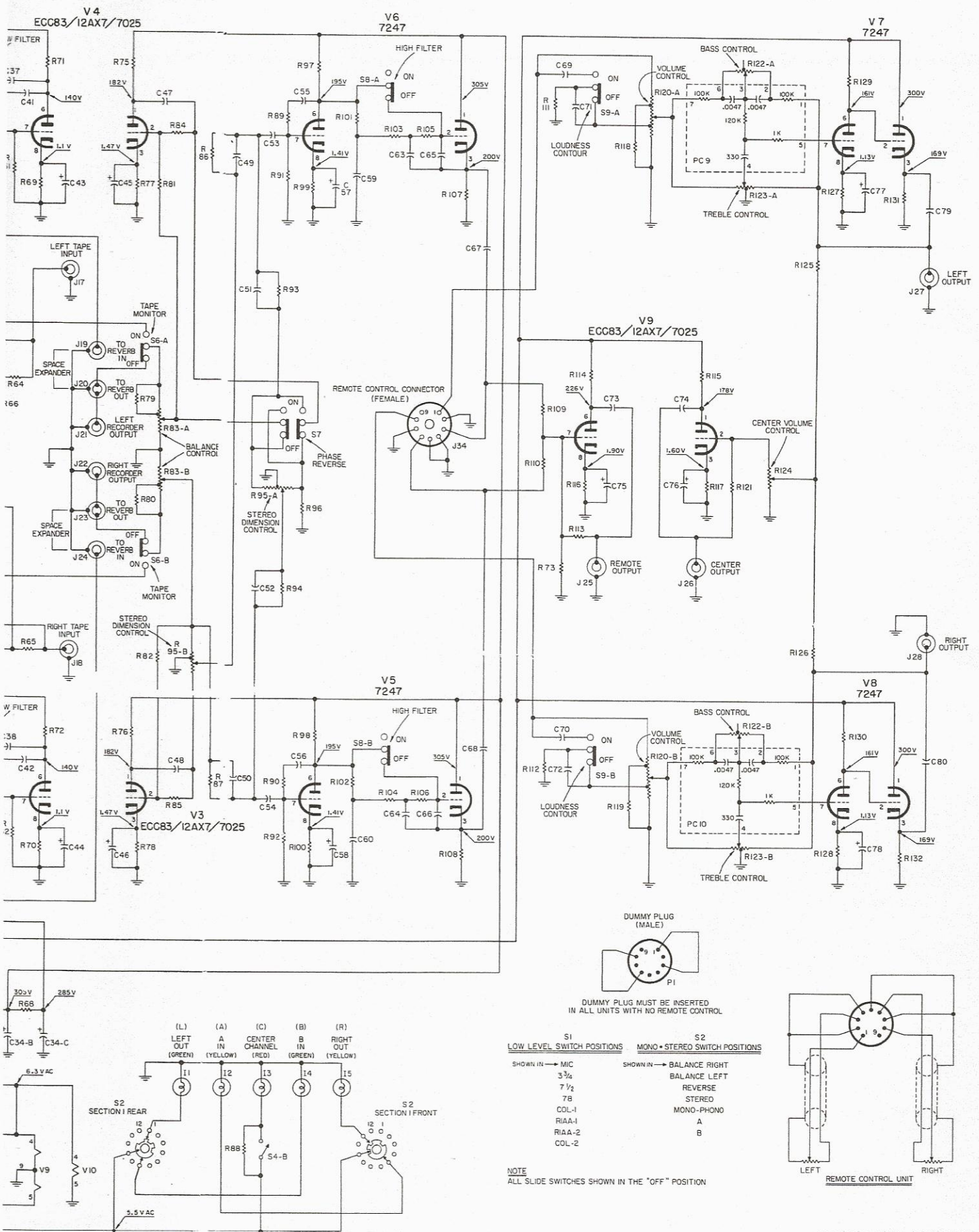
MISCELLANEOUS

Symbol	Description	Part No.
F1	Fuse, .5 amp., slo-blo	F795-136
I1, 2, 3,		
4, 5	Lamp, #47	150009-1
PC1, 2	Printed Circuit, 3 3/4", tape EQ.	PC50187-7
PC3, 4	Printed Circuit, COL, EQ	PC50187-6
PC5, 6	Printed Circuit, 78, EQ.	PC50187-8
PC7, 8	Printed Circuit, R1AA, 7 1/2", EQ.	PC50187-3
PC9, 10	Printed Circuit, tone control	PC657-140
P1	Plug, dummy	P50181
S1	Switch, low level	S851-126
S2	Switch, mono-stereo	S851-127
S3	Switch, push button	S851-119
S4	Switch, center ch., power	Part of R124
S5, 6, 7,		
8, 9	Switch, slide	S50200-5
S10	Switch, power	Part of R120
SR1, 2	Diode, silicon, SD91	SR851-121
T1	Transformer, power	T851-115
—	Dress panel	AS851-106
—	Shielded cable	AS50004-1
—	Knob, push button	E851-116
—	Knob, dual, front	E50323
—	Knob, dual, rear	E50221
—	Knob	E50325-1
—	Jewel, red	150162-1
—	Jewel, yellow	150162-2
—	Jewel, green	150162-4

SCHEMATIC DIAGRAM



RESISTORS	R3 TO R10	R11	R12 TO R17	R18	R19	R20 TO R21	R26 TO R30	R32 TO R33	R39	R52	R54	R55	R56	R50	R57	R61	R64	R71	R75	R81				
CAPACITORS	C1	C2	C3	C4	C5	C14	C15	C16	C32	C35	C34	C30	C31	C36	C37	C41	C43	C38	C42	C44	C45	C46	C47	C48



S1 32 33	R64 C41 R70	R71 C43 C44	R75 C45 C46	R81 C47 C48	R86 R88 R87	R89 C49 C50	R96 C51 C54	R99 C55 C58	R101 C57 C60	R103 C59 C64	R105 C63 C66	R107 C65 C68	R73 C69 C72	R109 C71 C75	R114 C73 C75	R118 C74 C75	R120 C76	R115 C77 C78	R121 C79 C80	R124 C80	R125 C80	R127 C77 C78	R131 C79 C80
----------------	-------------------	-------------------	-------------------	-------------------	-------------------	-------------------	-------------------	-------------------	--------------------	--------------------	--------------------	--------------------	-------------------	--------------------	--------------------	--------------------	-------------	--------------------	--------------------	-------------	-------------	--------------------	--------------------

DUMMY PLUG (MALE)
P1

DUMMY PLUG MUST BE INSERTED IN ALL UNITS WITH NO REMOTE CONTROL

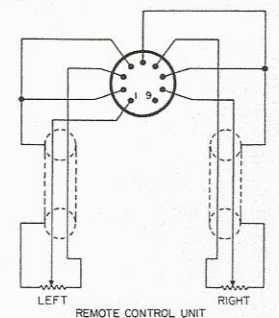
LOW LEVEL SWITCH POSITIONS

SHOWN IN →	MIC	3 3/4	7 1/2	7B	COL-1	RIAA-1	RIAA-2	COL-2
------------	-----	-------	-------	----	-------	--------	--------	-------

MONO • STEREO SWITCH POSITIONS

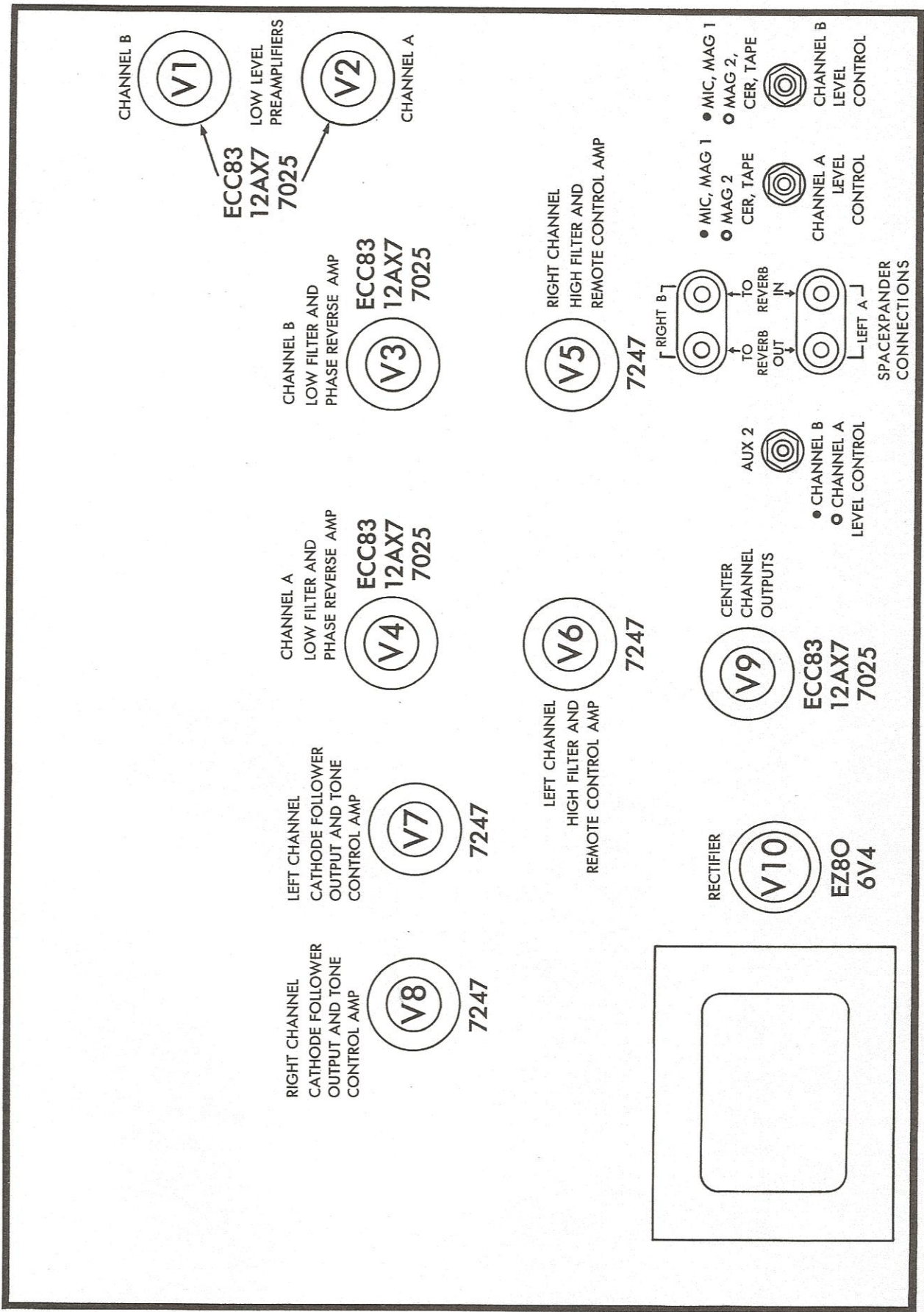
SHOWN IN →	BALANCE RIGHT	BALANCE LEFT	REVERSE	STEREO	MONO-PHONO	A	B
------------	---------------	--------------	---------	--------	------------	---	---

NOTE
ALL SLIDE SWITCHES SHOWN IN THE "OFF" POSITION



P 851 SCHEMATIC AW# 1857A

TUBE LAYOUT



SERVICE NOTES



FISHER RADIO CORPORATION • NEW YORK



N851-105BX

PRINTED IN U.S.A.

5W36