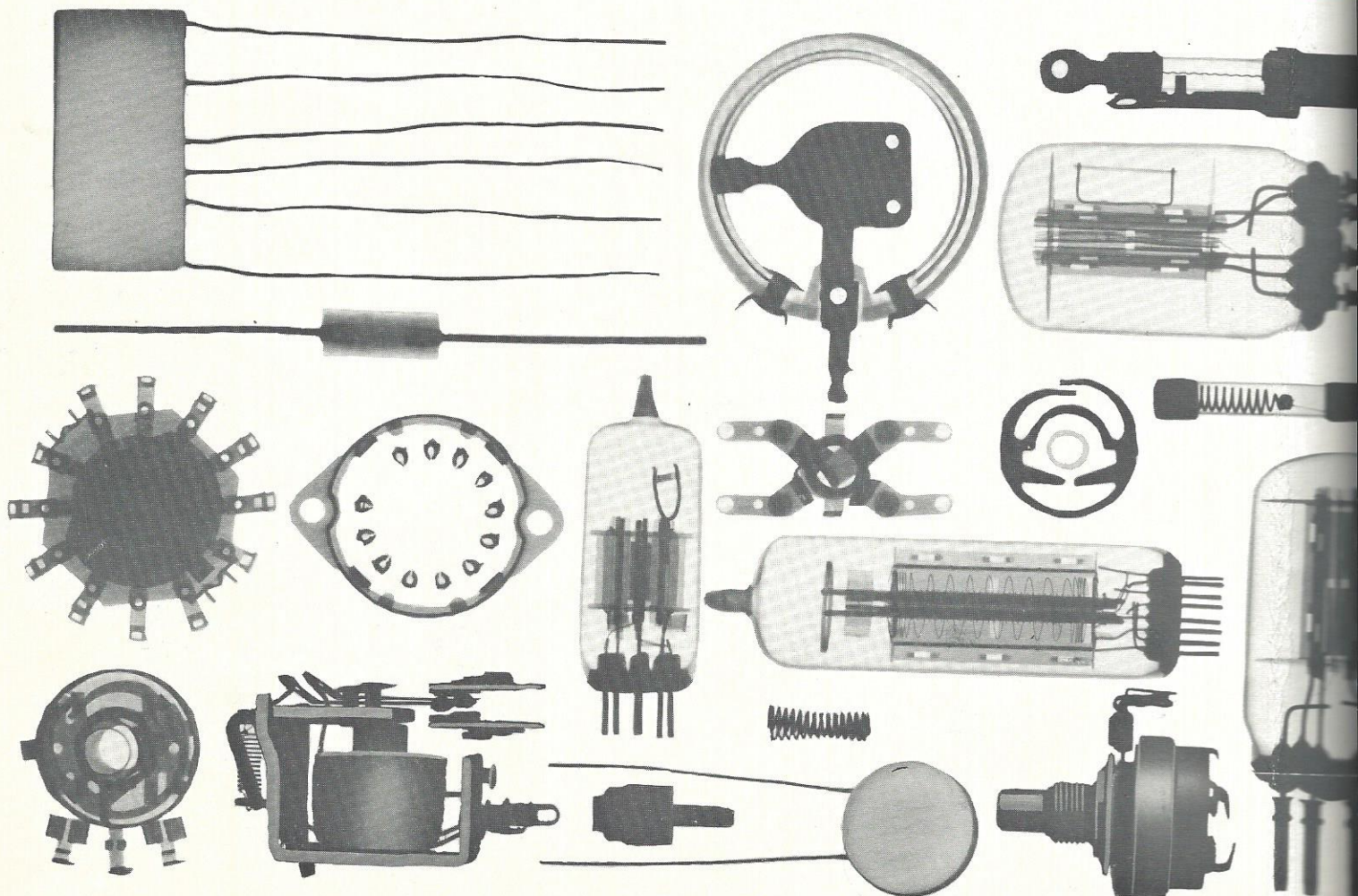


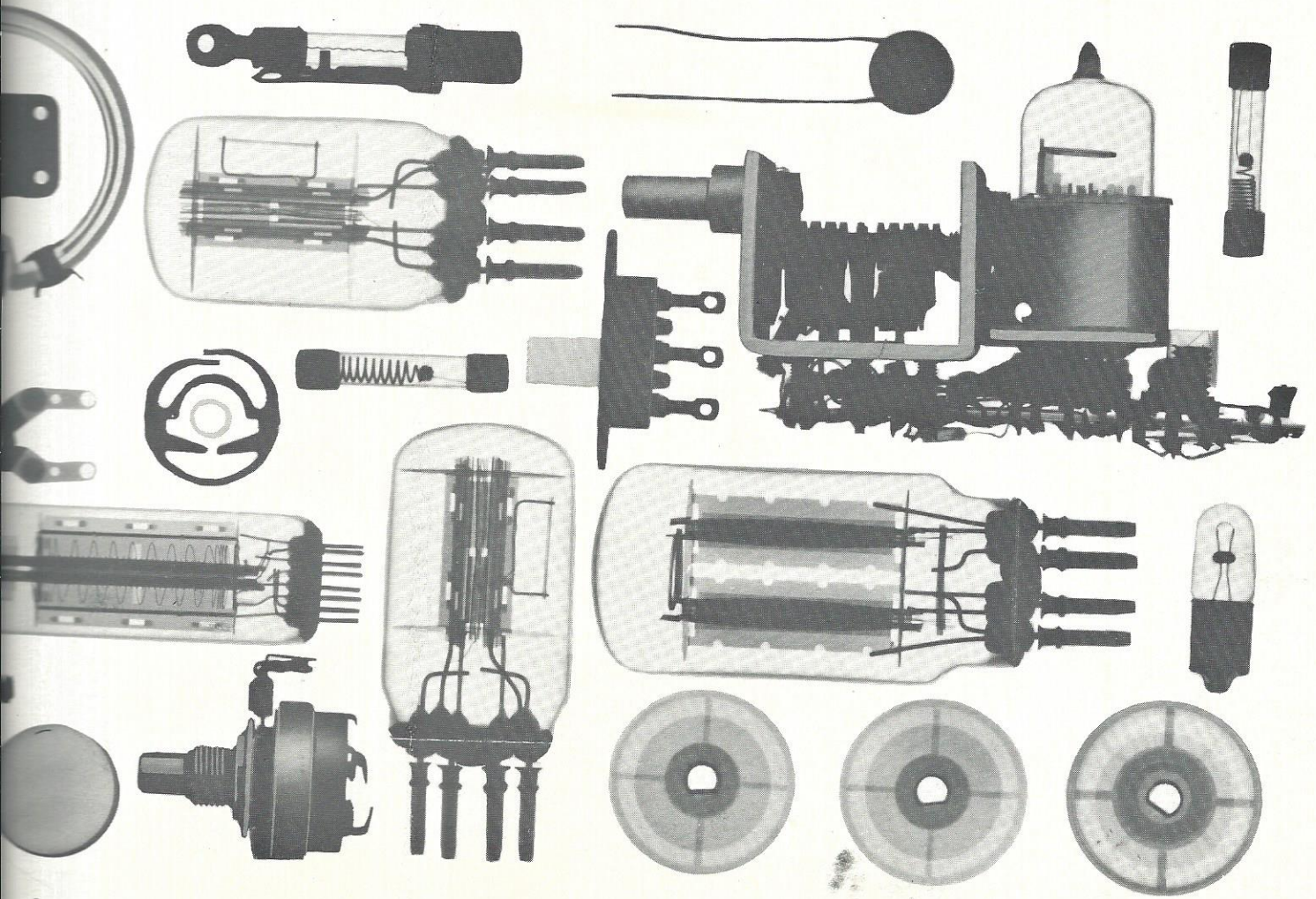
ELC



FM Stereo Tuner 2200

New Speed Kit Pack
simplified construction manual

CLASSIC SERIES KIT



New Speed Kit Pack cuts construction time **EICO**
simplified construction manual • "workshop" easel • all parts pre-riveted to chassis

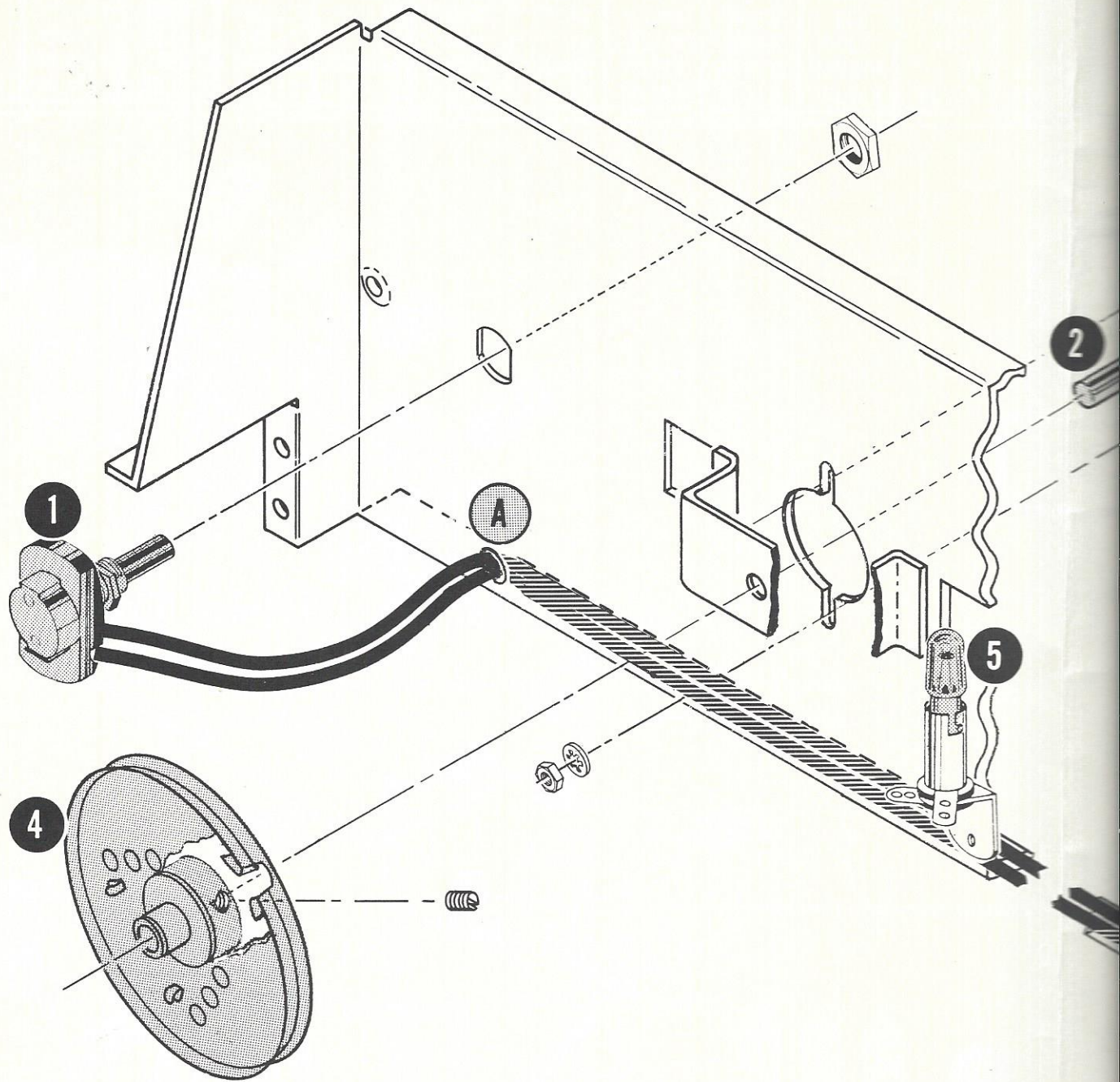
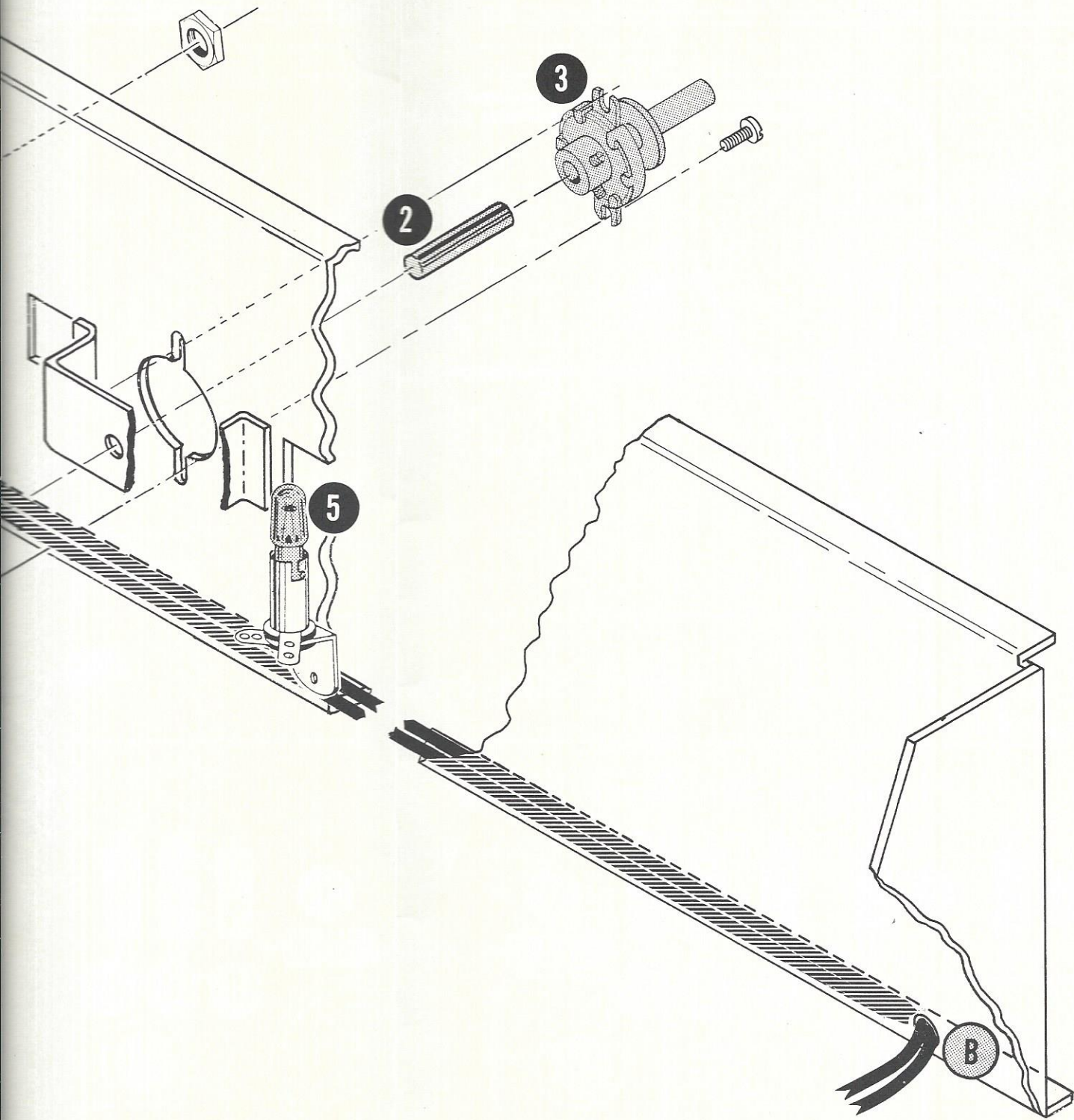


Figure 1 Sub-Panel Component Mounting



-Panel Component Mounting

COPYRIGHT© 1963 EICO ELECTRONIC INSTRUMENT COMPANY, Inc.

6	7	8																		
R8	C15	C14																		
120KΩ	.05μfd.	.05μfd.																		
BROWN	200V	200V																		
RED																				
YELLOW																				
SILVER																				

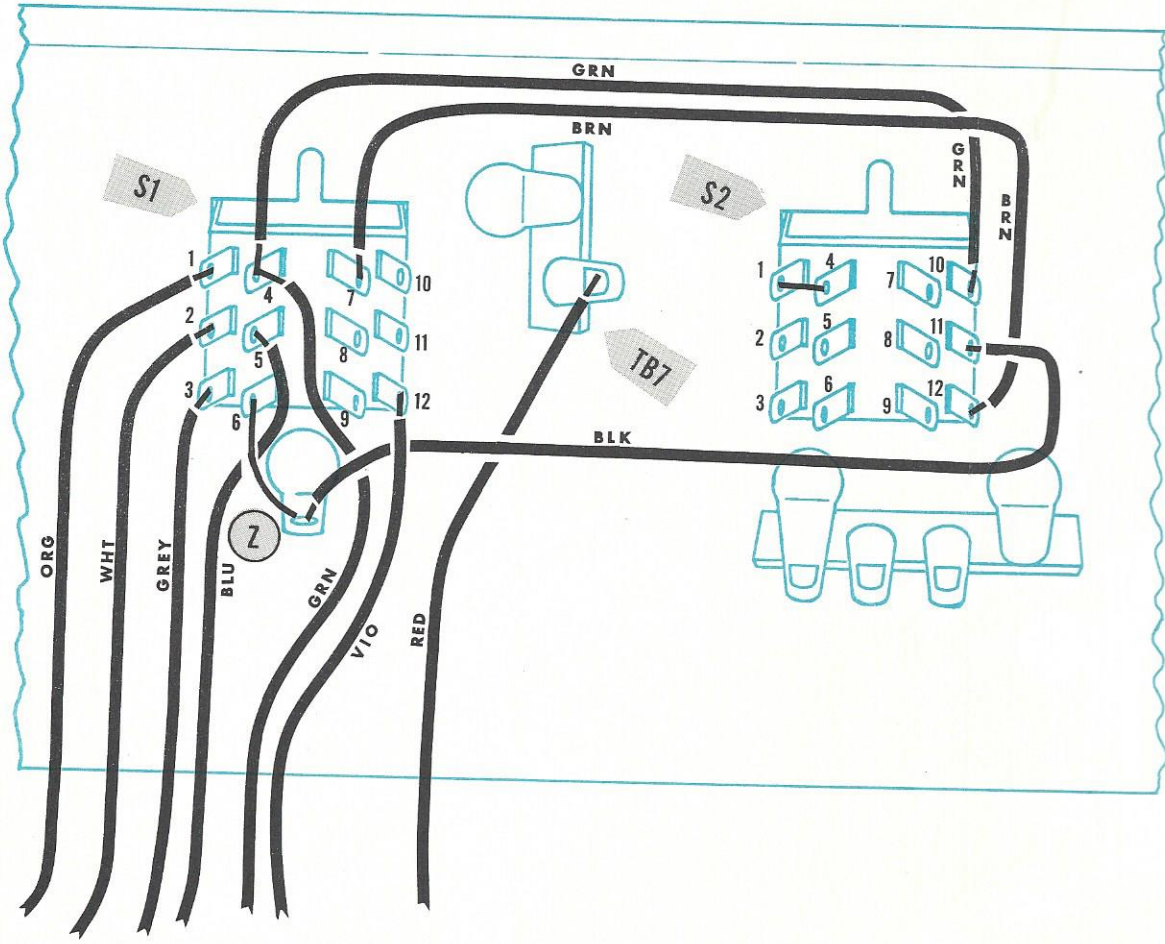


Figure 2 Sub-Panel Wiring

Resistance to Shield

Black	∞
Red	80k
Grey	∞
Green	140k
Yellow	700k
Brown	700k

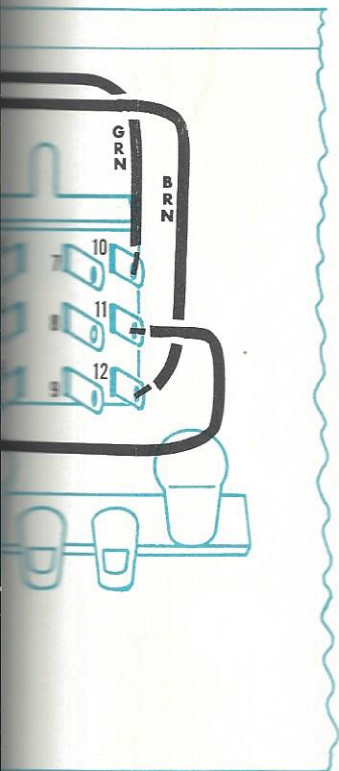
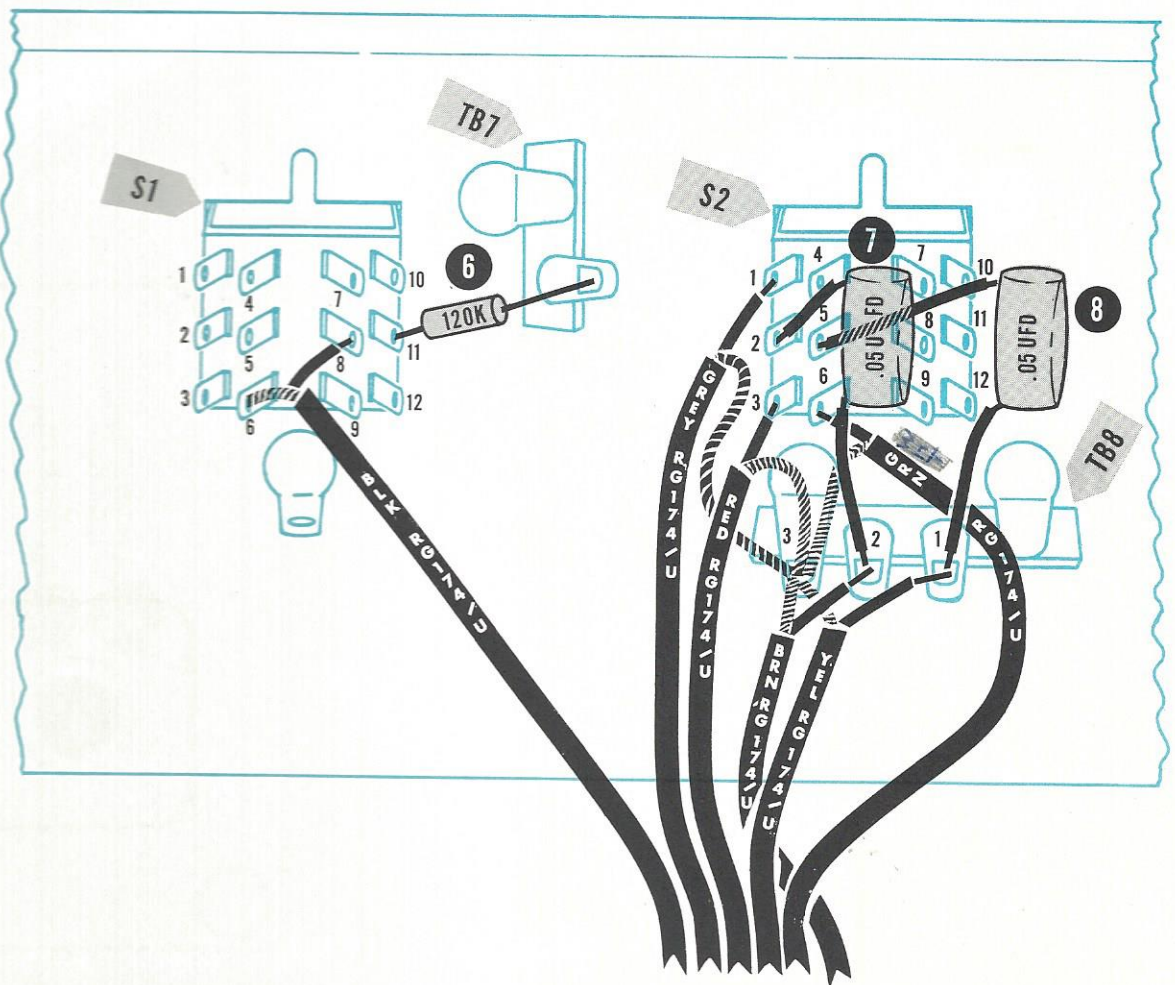


Figure 3 Sub-Panel Wiring (Cont'd)



ng
Shield
∞
80k
∞
140k
700k
700k

1	2	3	4	5	6	7	8	9	10	11	12
R7 6800Ω	R5 470KΩ	R6 1000Ω	R16 47KΩ	R15 47KΩ	R14 18KΩ	R10 15KΩ	R11 1MΩ	R3 33KΩ	R4 27KΩ	R17 220KΩ	R12 220Ω
BLUE GRAY RED SILVER	YELLOW VIOLET YELLOW SILVER	BROWN BLACK RED SILVER	YELLOW VIOLET ORANGE SILVER	YELLOW VIOLET ORANGE SILVER	BROWN GRAY ORANGE SILVER	BROWN GREEN ORANGE SILVER	BROWN BLACK GREEN SILVER	ORANGE ORANGE ORANGE SILVER	RED VIOLET ORANGE SILVER	RED RED YELLOW SILVER	RED RED BROWN SILVER GOLD

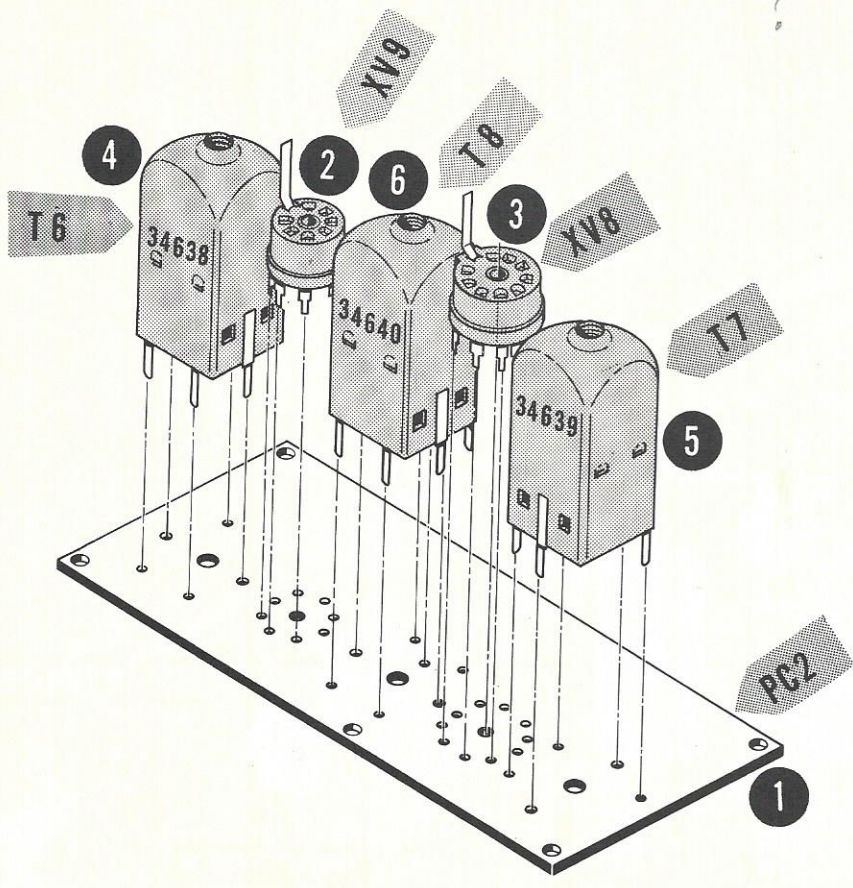
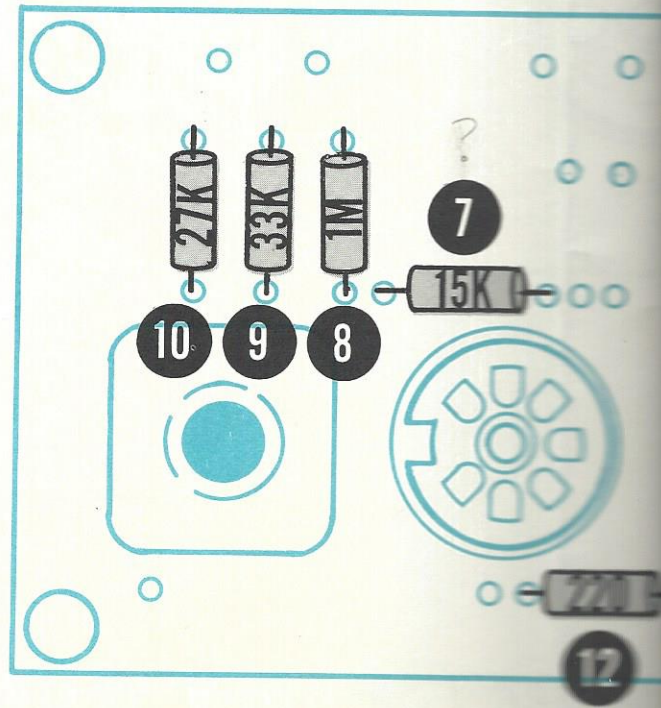


Figure 4 PC2
Component Mounting

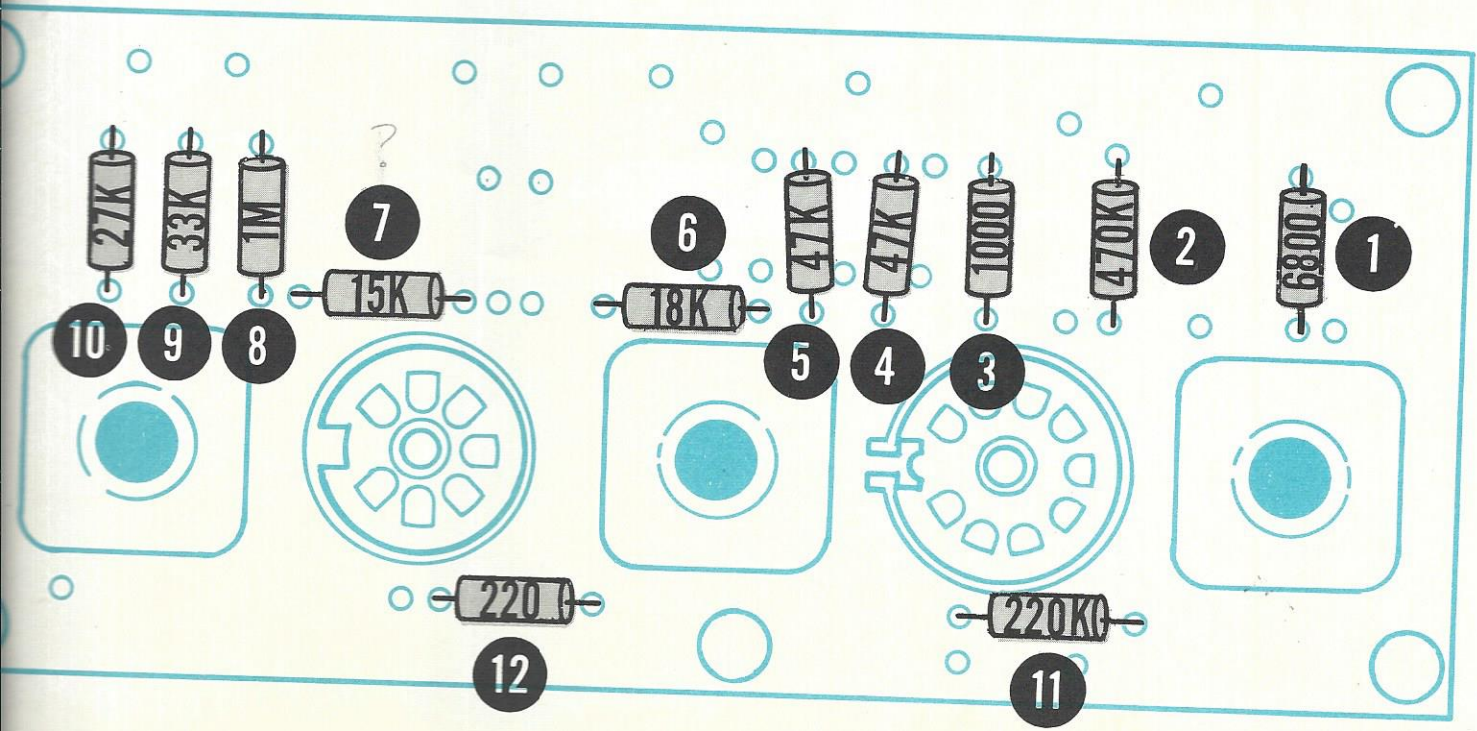
Figure 5



8	9	10	11	12						
	R3 33KΩ	R4 27KΩ	R17 220KΩ	R12 220Ω						
	ORANGE	RED	RED	RED						
	ORANGE	VIOLET	RED	RED						
	ORANGE	ORANGE	YELLOW	BROWN						
	SILVER	SILVER	SILVER	SILVER						
				GOLD						

15 000 orange
150 000 yellow

Figure 5 PC2 Wiring



1 C5 .003 μ fd.	2 C10 .01 μ fd.	3 C4 .05 μ fd. 200V	4 C13 .001 μ fd.	5 C12 .001 μ fd.	6 C9 100 μ fd	7 C8 220 μ fd	8 C11 .001 μ fd.	9 C7 10 μ fd. 10V	10 PC4 29759	11 PC3 29759	12 CR1 GR1
---------------------------	---------------------------	----------------------------------	----------------------------	----------------------------	-------------------------	-------------------------	----------------------------	--------------------------------	--------------------	--------------------	------------------

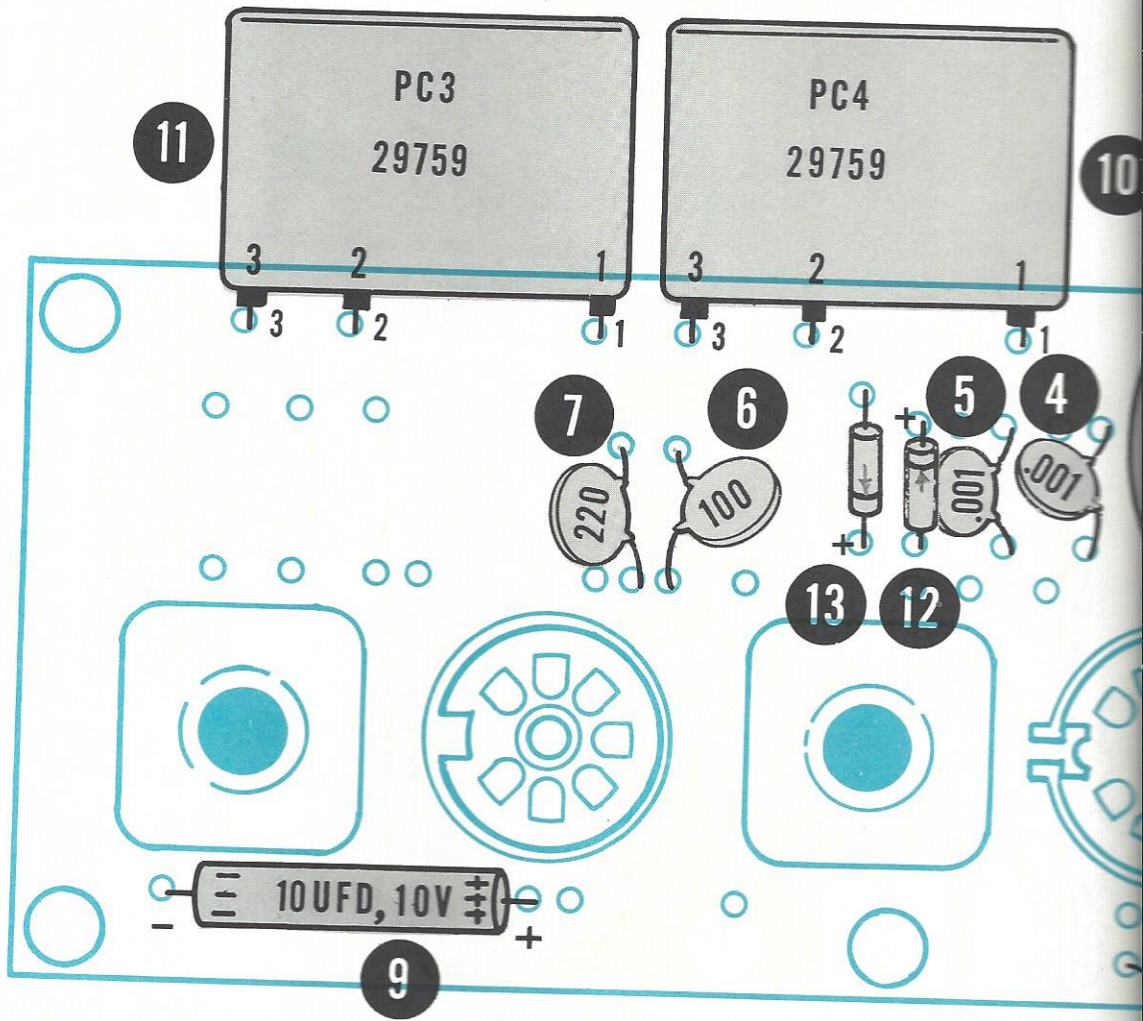


Figure 6 PC2 Wiring (Cont)

8	9	10	11	12	13														
CR1	C7	PG4	PG3	CR1	CR2														
100 μ fd.	10 μ fd. 10V	29759	29759																

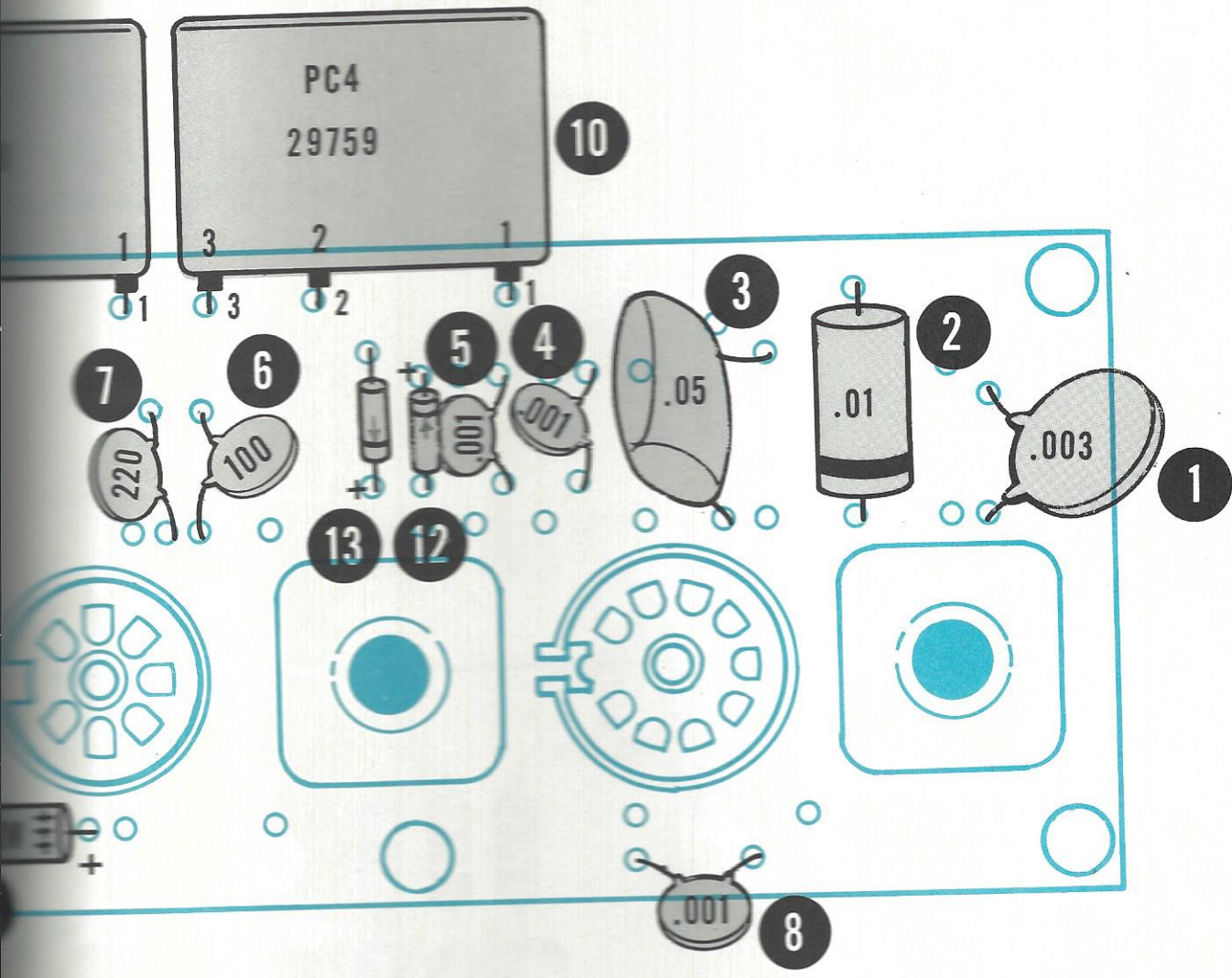
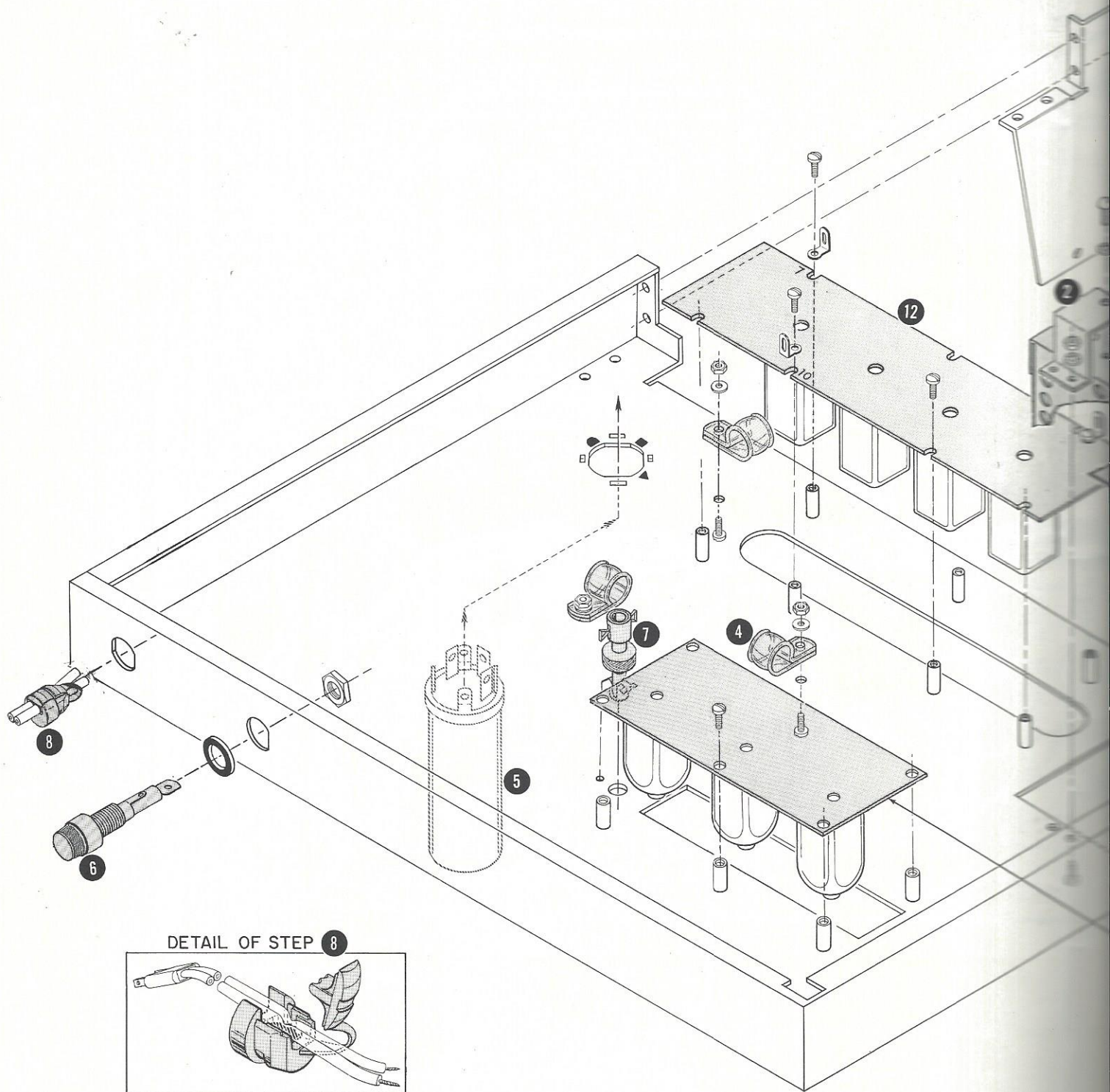


Figure 6 PC2 Wiring (Cont'd)



DETAIL OF STEP 8

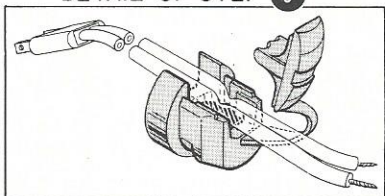
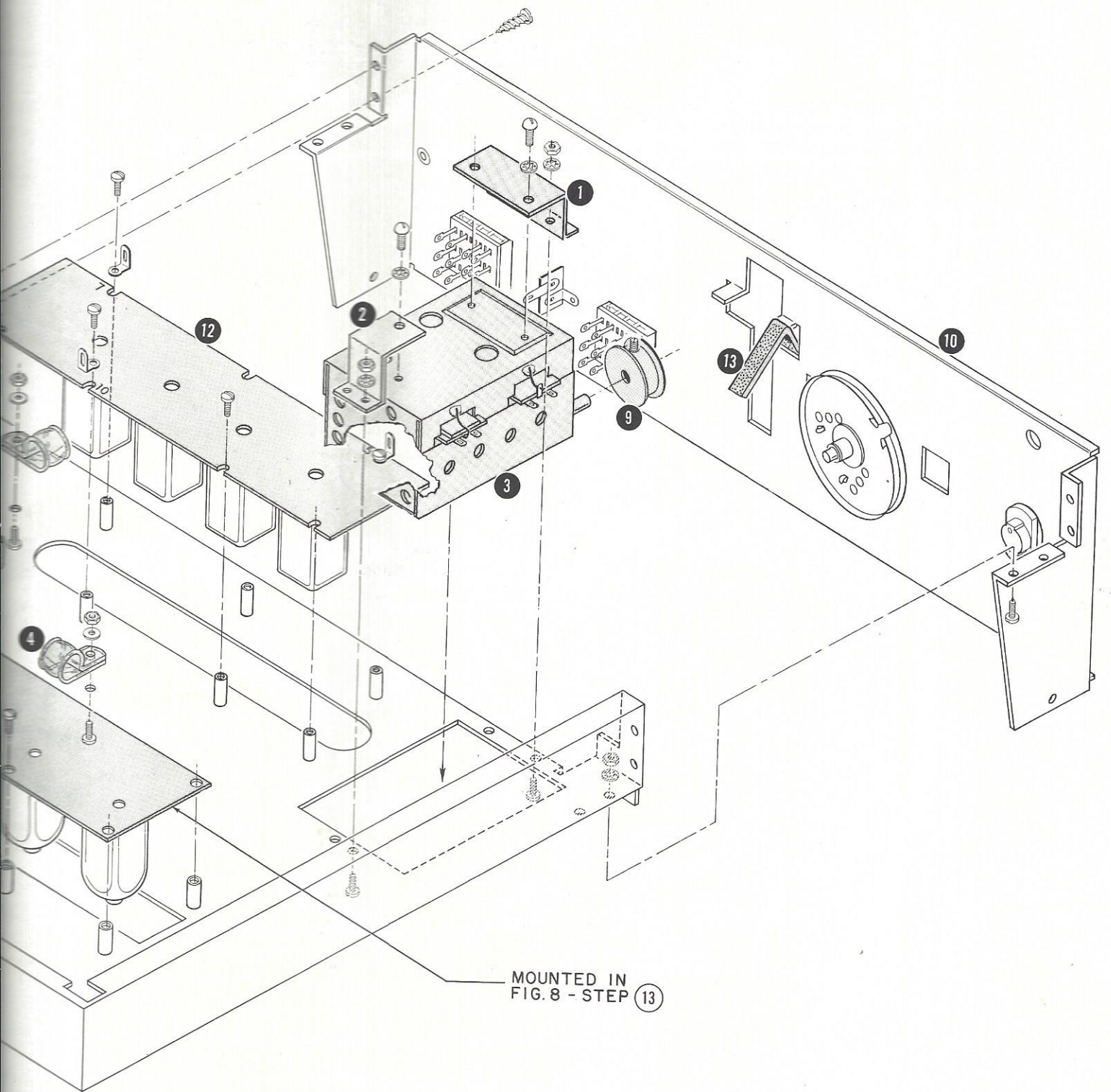


Figure 7 Sub-Panel & Chassis



MOUNTED IN
FIG. 8 - STEP 13

Sub-Panel & Chassis Mounting

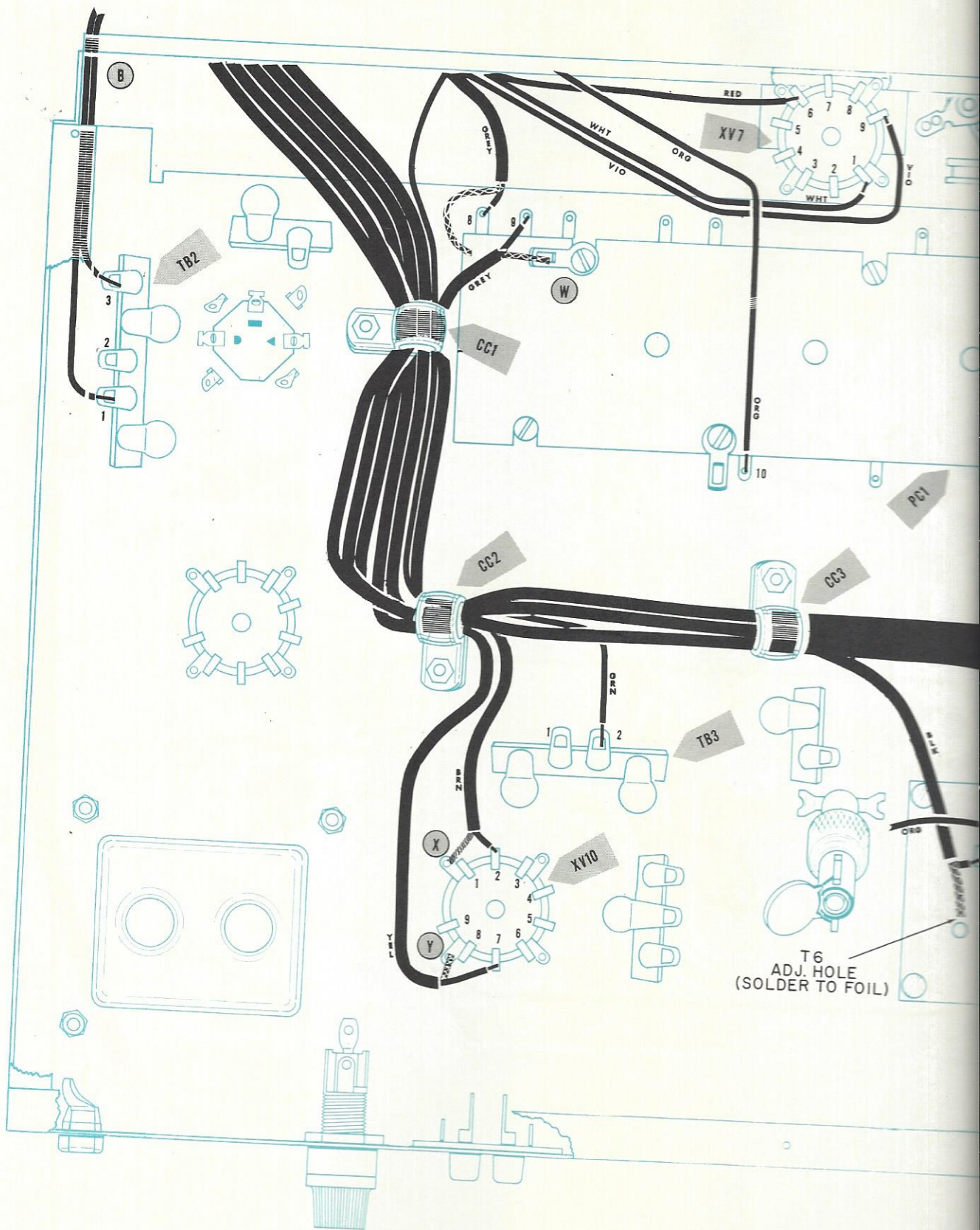


Figure 8 Interconnection & W

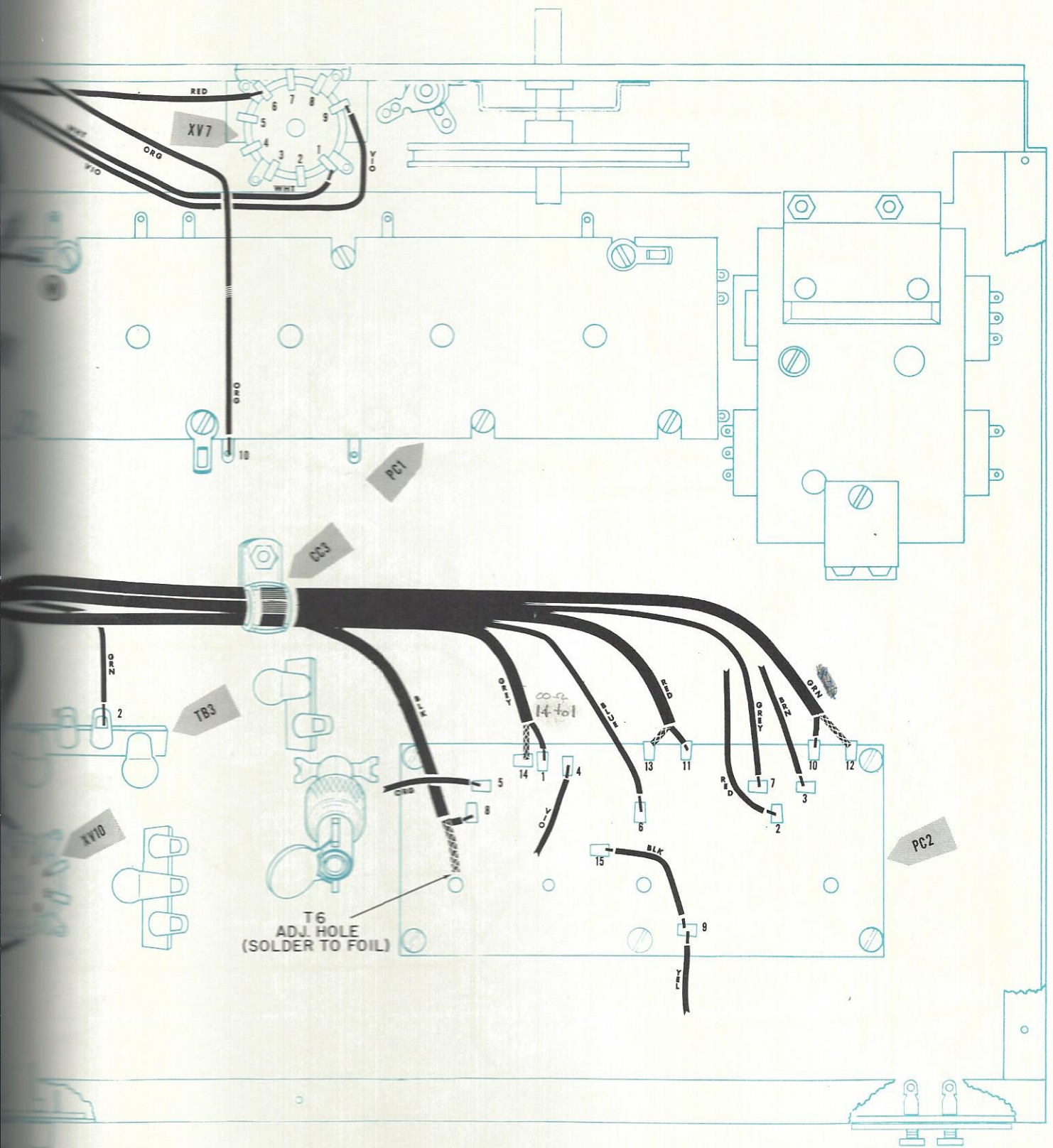


Figure 8 Interconnection & Wiring

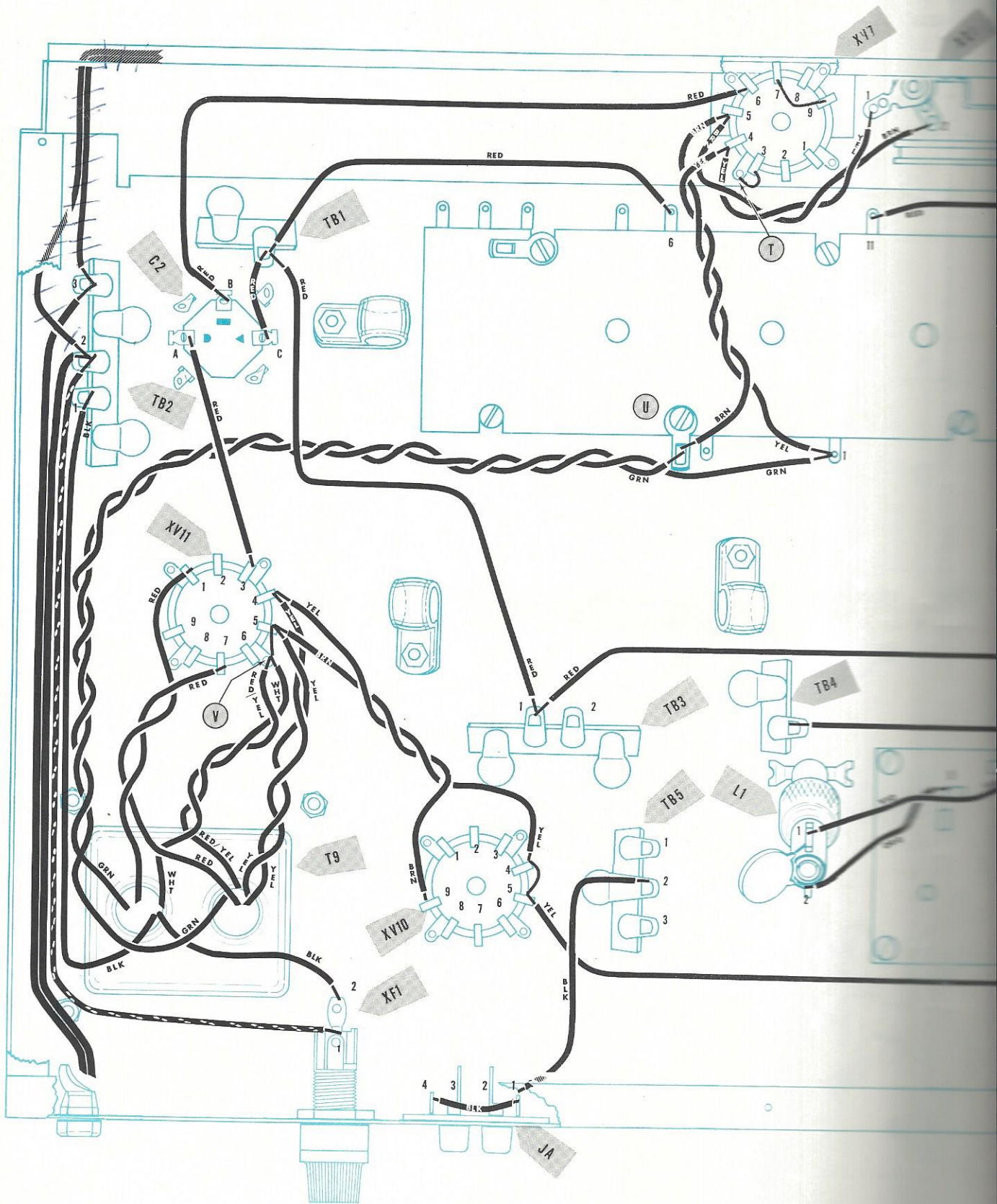
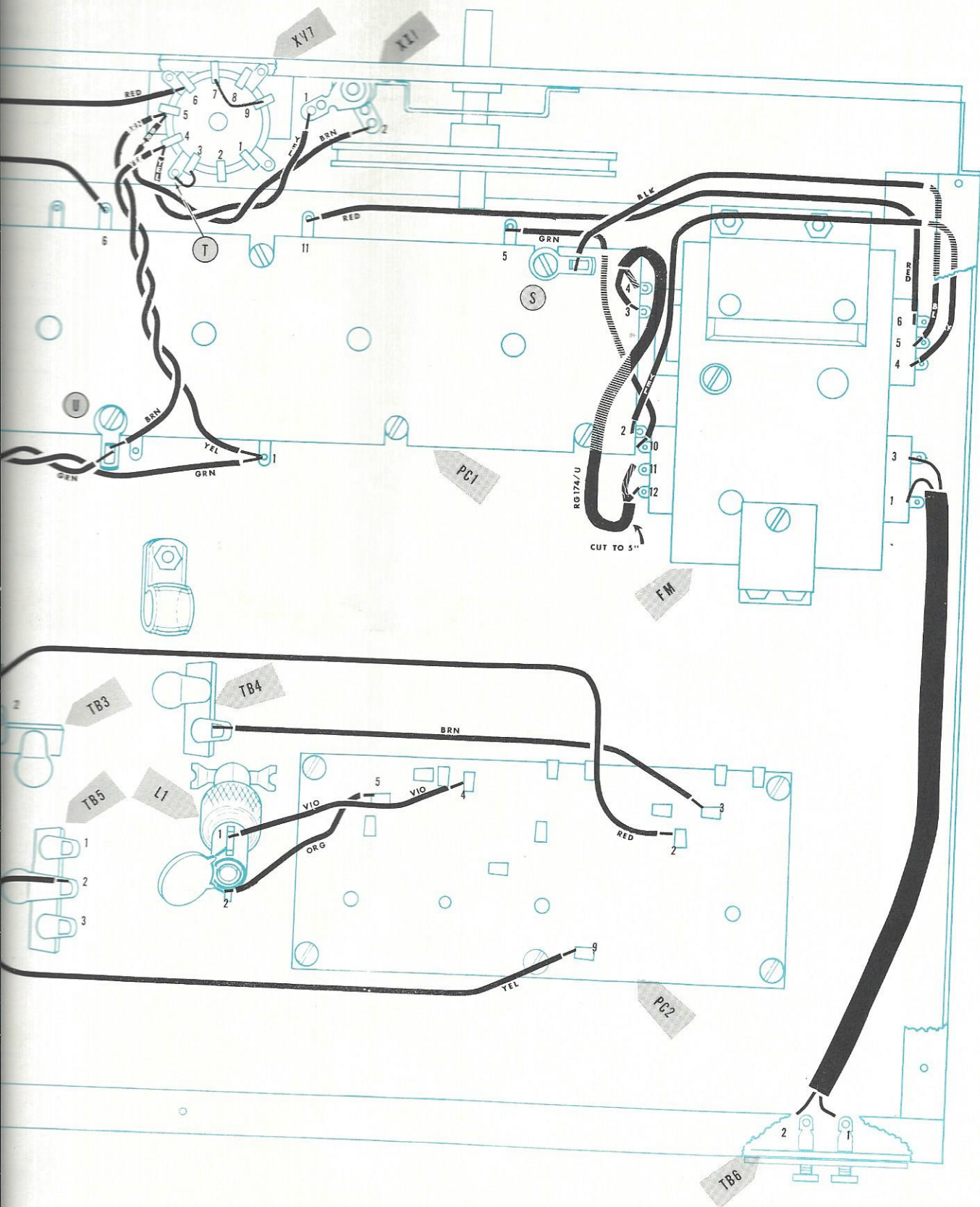


Figure 9 Main Chassis Wiring



Main Chassis Wiring (Cont'd)

1	2	3	4	5	6	7	8	9	10	11	12
R13	R9	R25	C17	R22	R23	R18	C16	R19	R20	R26	R27
10M Ω	470K Ω	10K Ω	.47 μ fd.	470K Ω	820 Ω	10K Ω	.47 μ fd.	470K Ω	820 Ω	220K Ω	220K Ω
BROWN BLACK BLUE SILVER	YELLOW VIOLET YELLOW SILVER	BROWN BLACK ORANGE SILVER		YELLOW VIOLET YELLOW SILVER	GRAY RED BROWN SILVER	BROWN BLACK ORANGE SILVER		YELLOW VIOLET YELLOW SILVER	GRAY RED BROWN SILVER	RED RED YELLOW SILVER	RED RED YELLOW SILVER

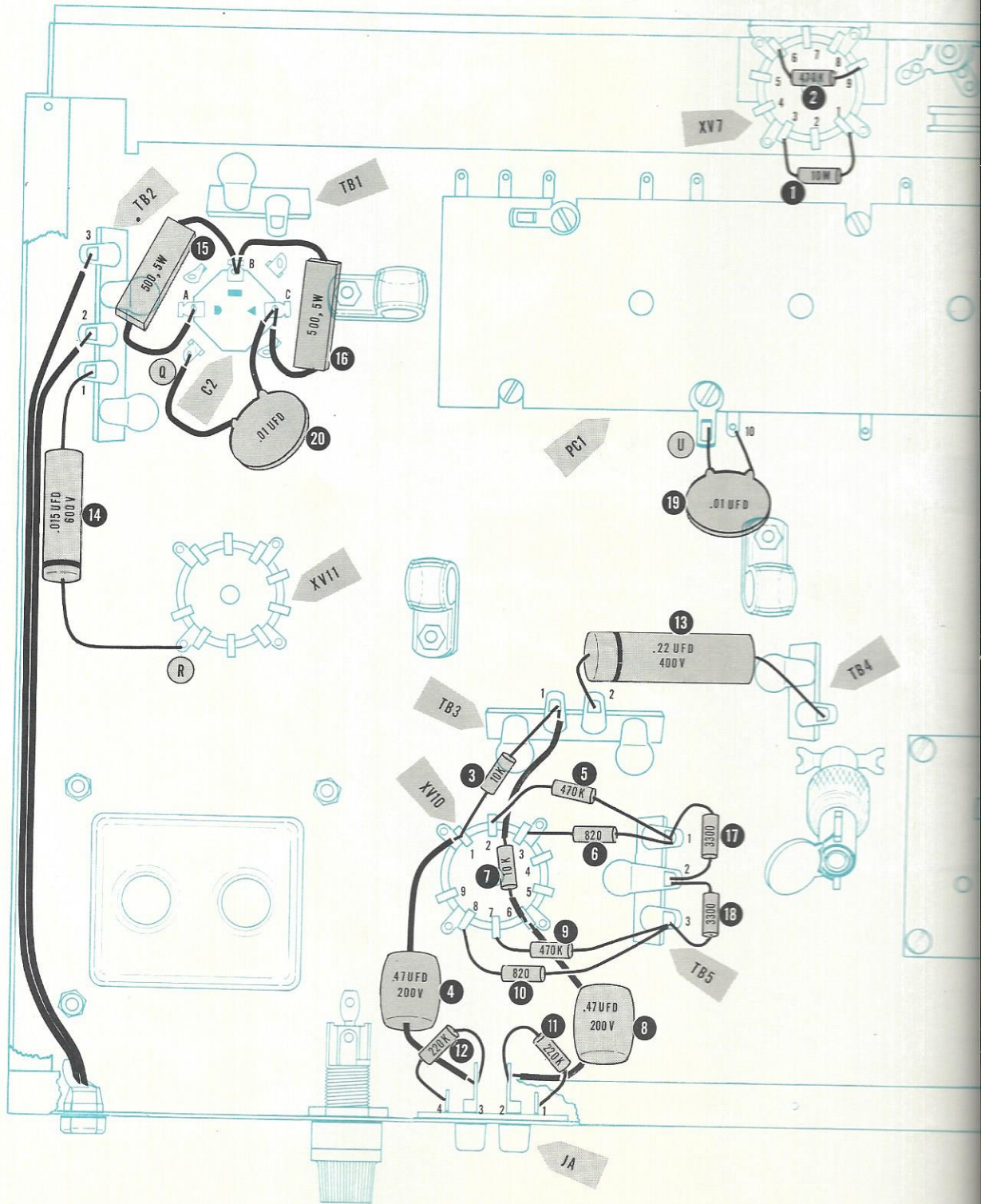


Figure 10 Final Wiring

8	9	10	11	12	13	14	15	16	17	18	19	20
C16	R19	R20	R26	R27	C6	C1	R1	R2	R24	R21	C18	C3
.47 μ fd.	470K Ω	820 Ω	220K Ω	220K Ω	.22 μ fd.	.015 μ fd.	500 Ω	500 Ω	3300 Ω	3300 Ω	.01 μ fd.	.01 μ fd.
200V	YELLOW VIOLET YELLOW SILVER	GRAY RED BROWN SILVER	RED RED YELLOW SILVER	RED RED YELLOW SILVER	440V	600V	GREEN BLACK BROWN SILVER	GREEN BLACK BROWN SILVER	ORANGE ORANGE RED SILVER	ORANGE ORANGE RED SILVER		

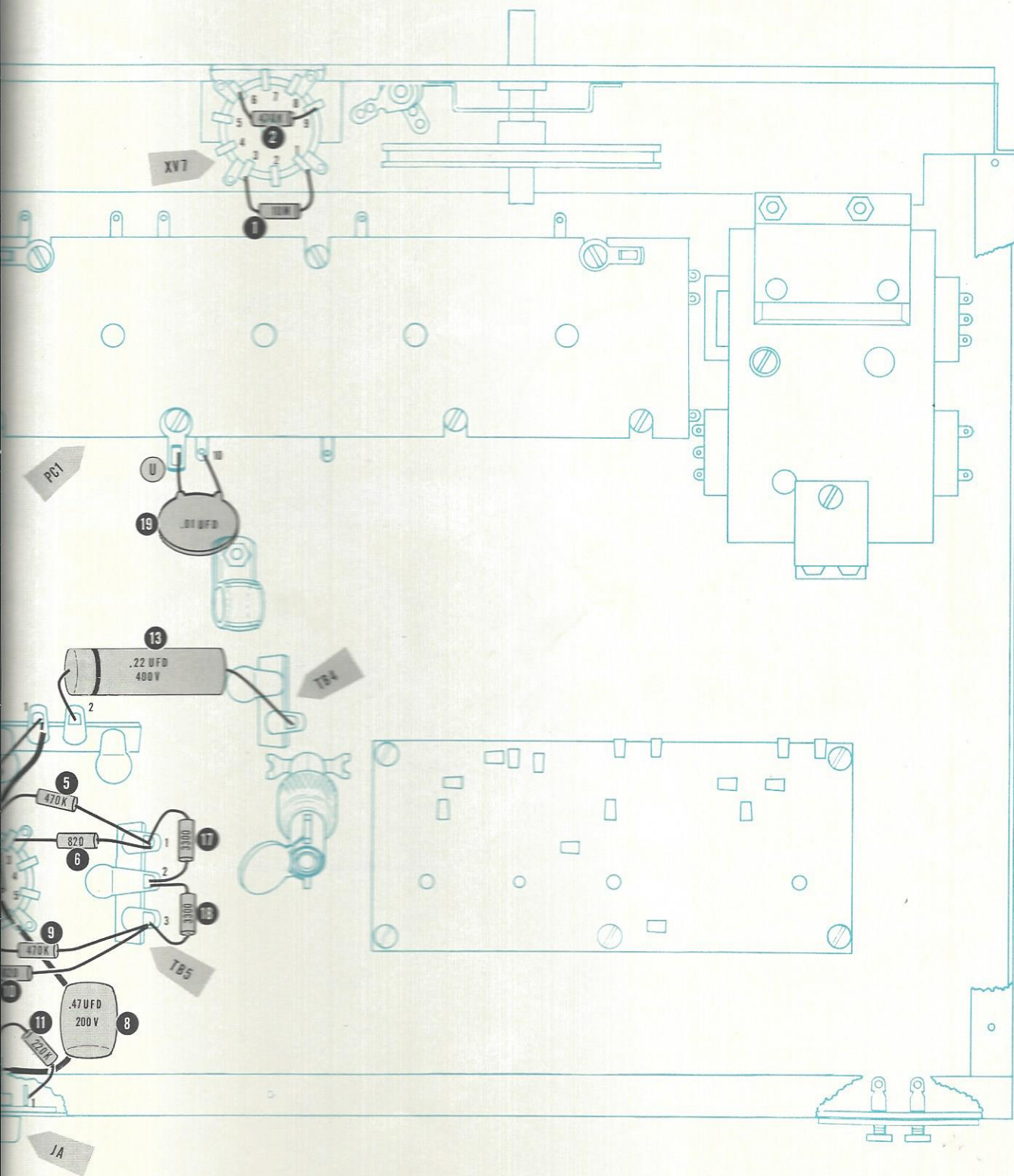


Figure 10 Final Wiring

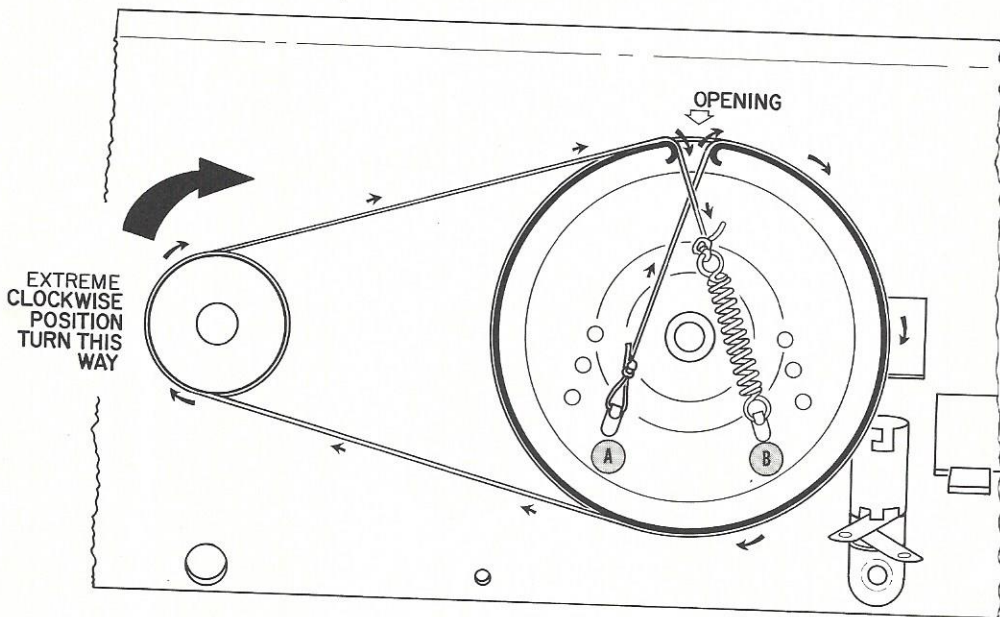
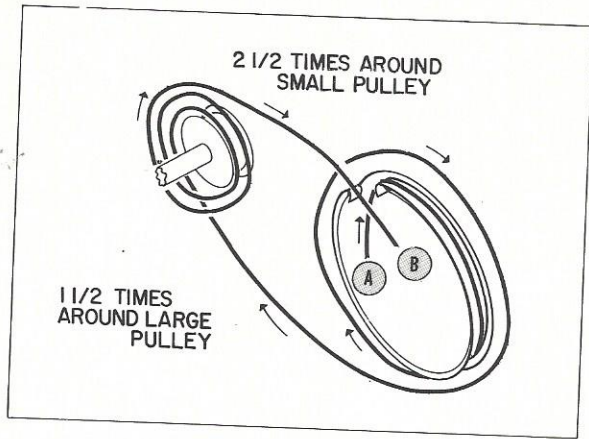


Figure 11 Dial Cord Stringing

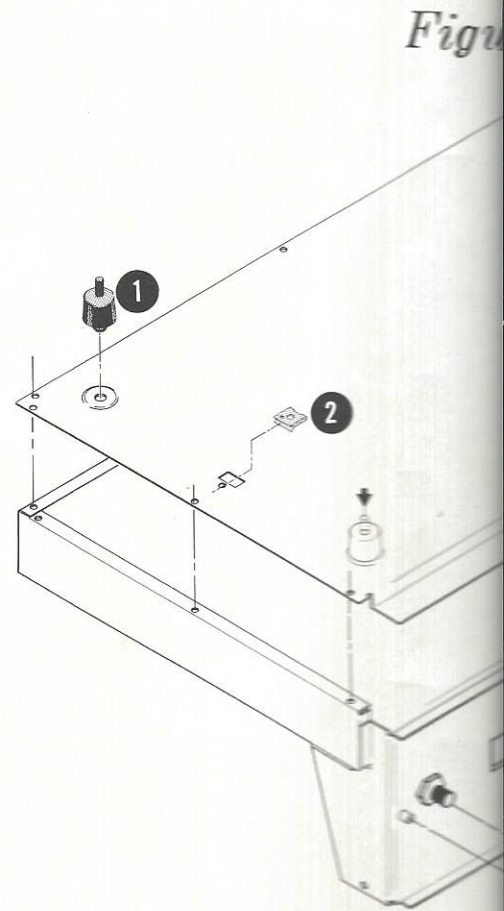
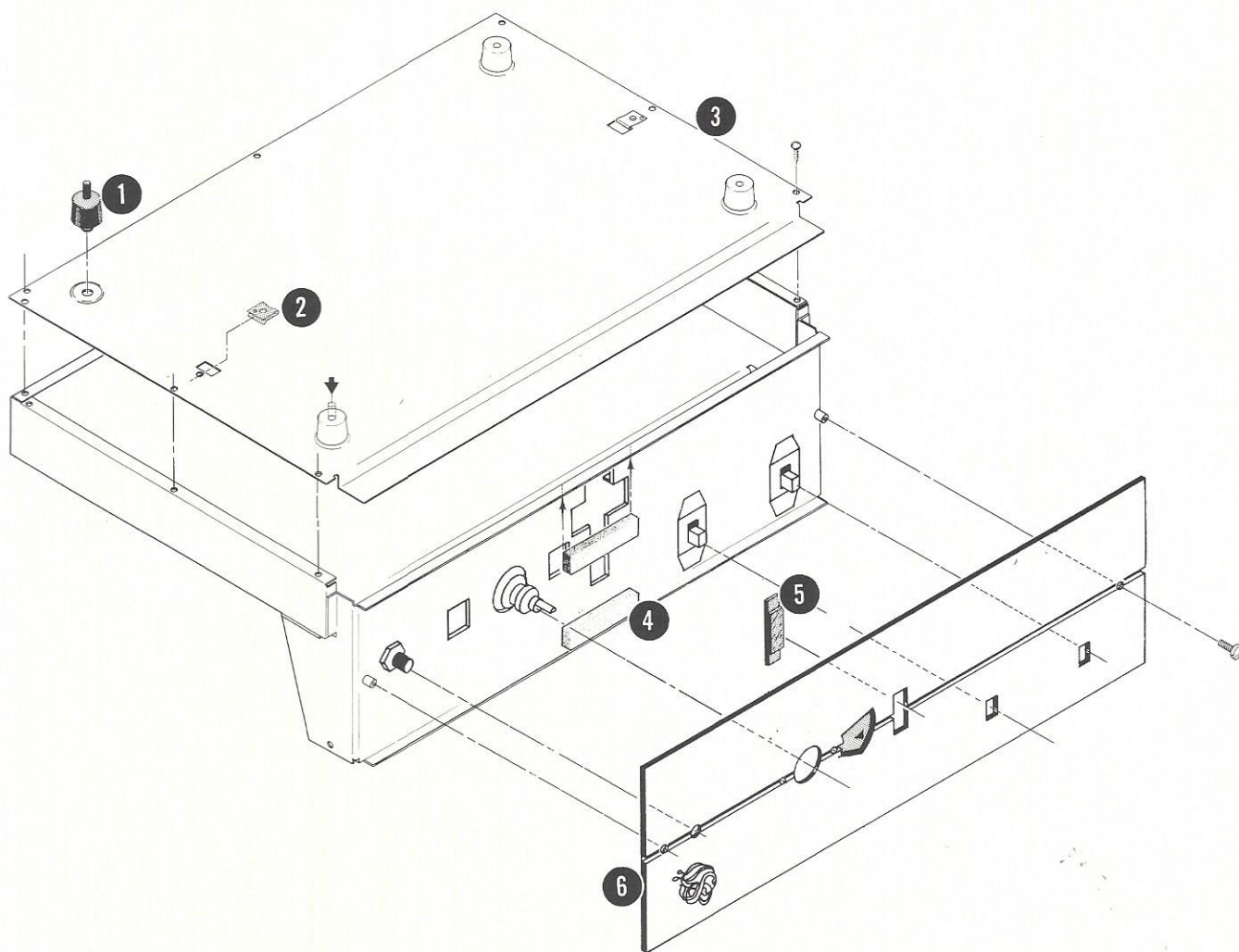
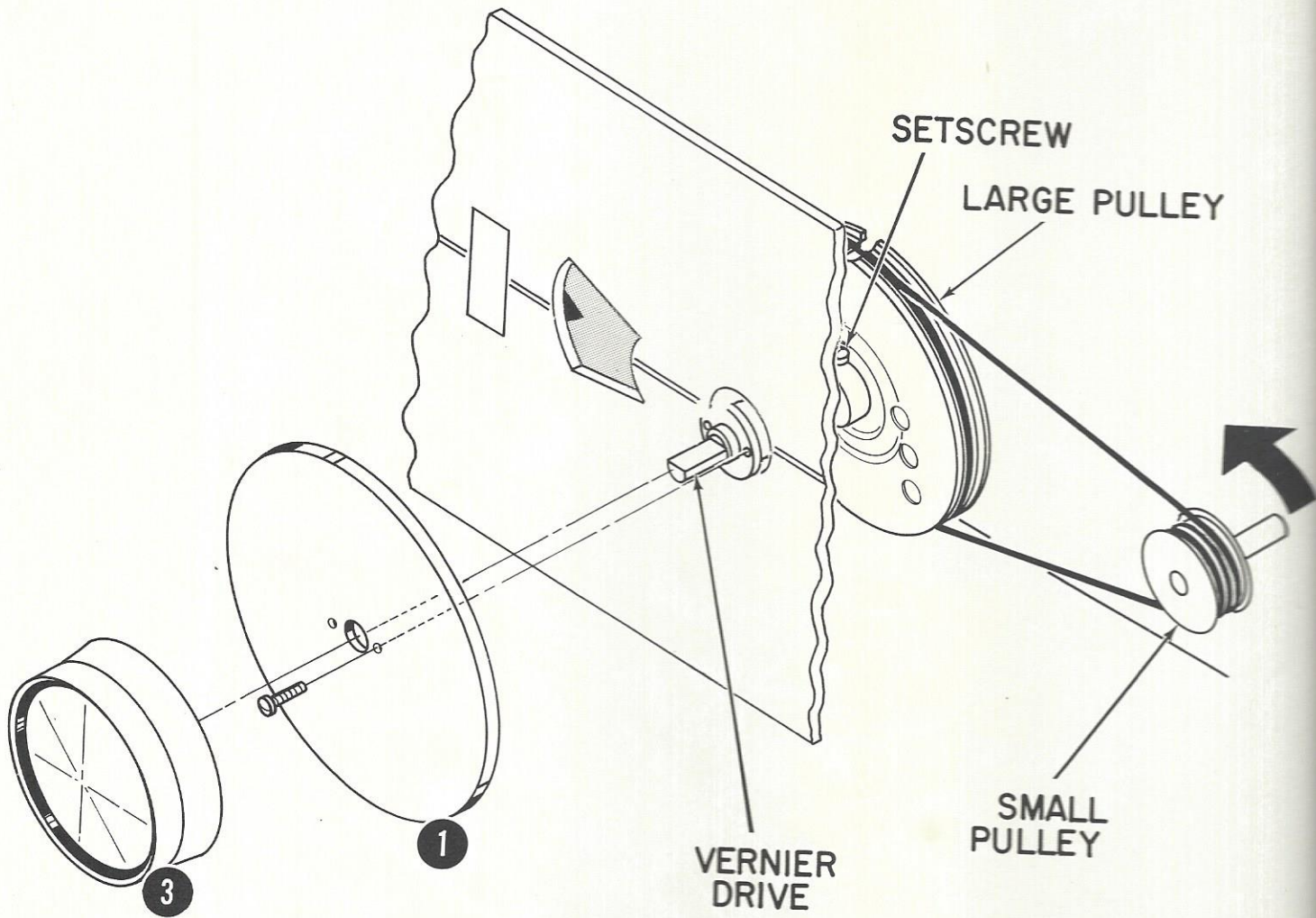
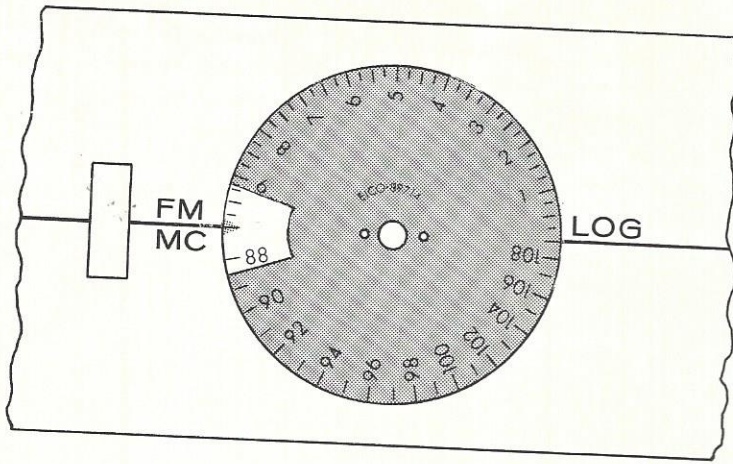


Figure 12 Final Assembly





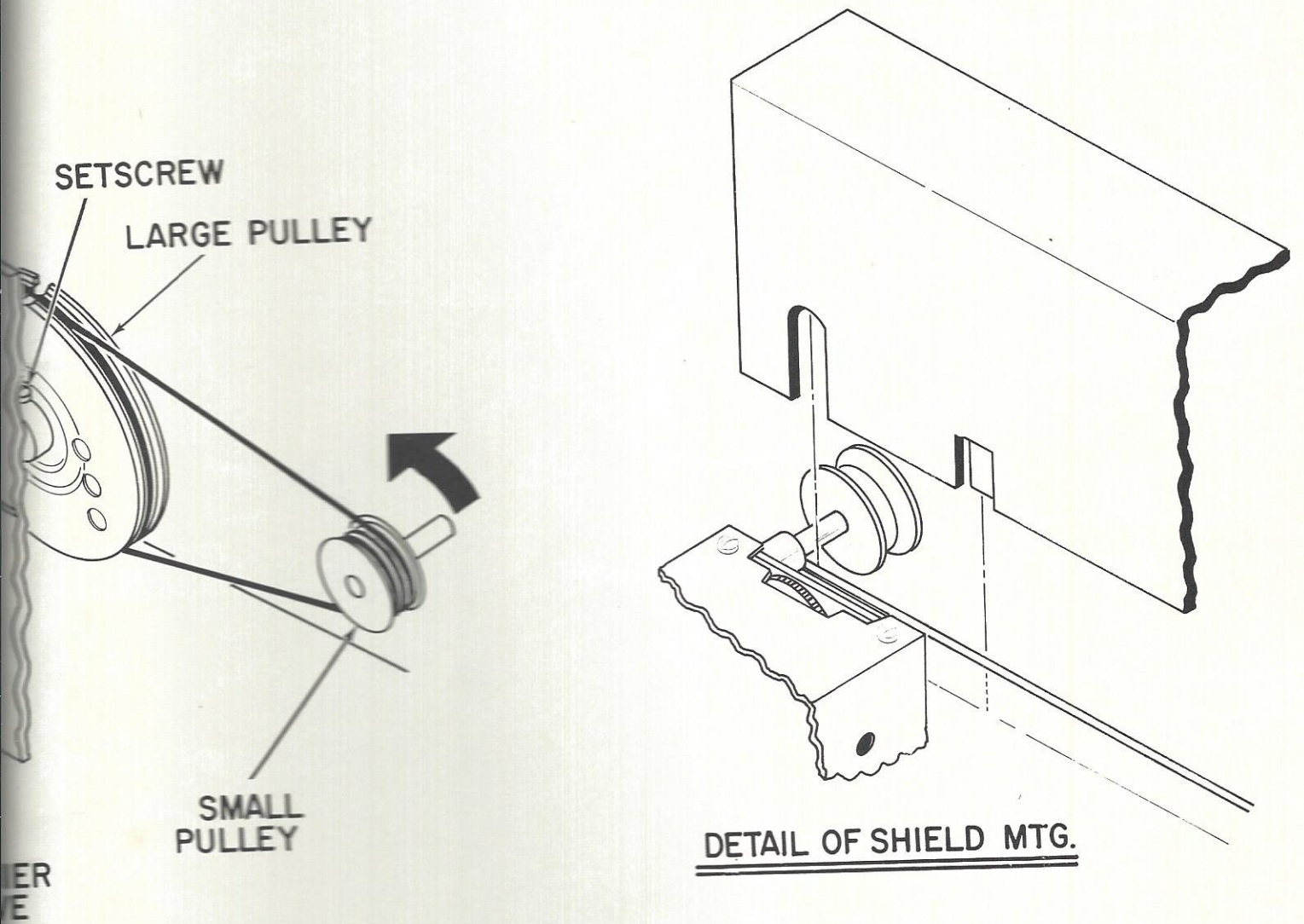


Figure 13 Dial Setting Procedure