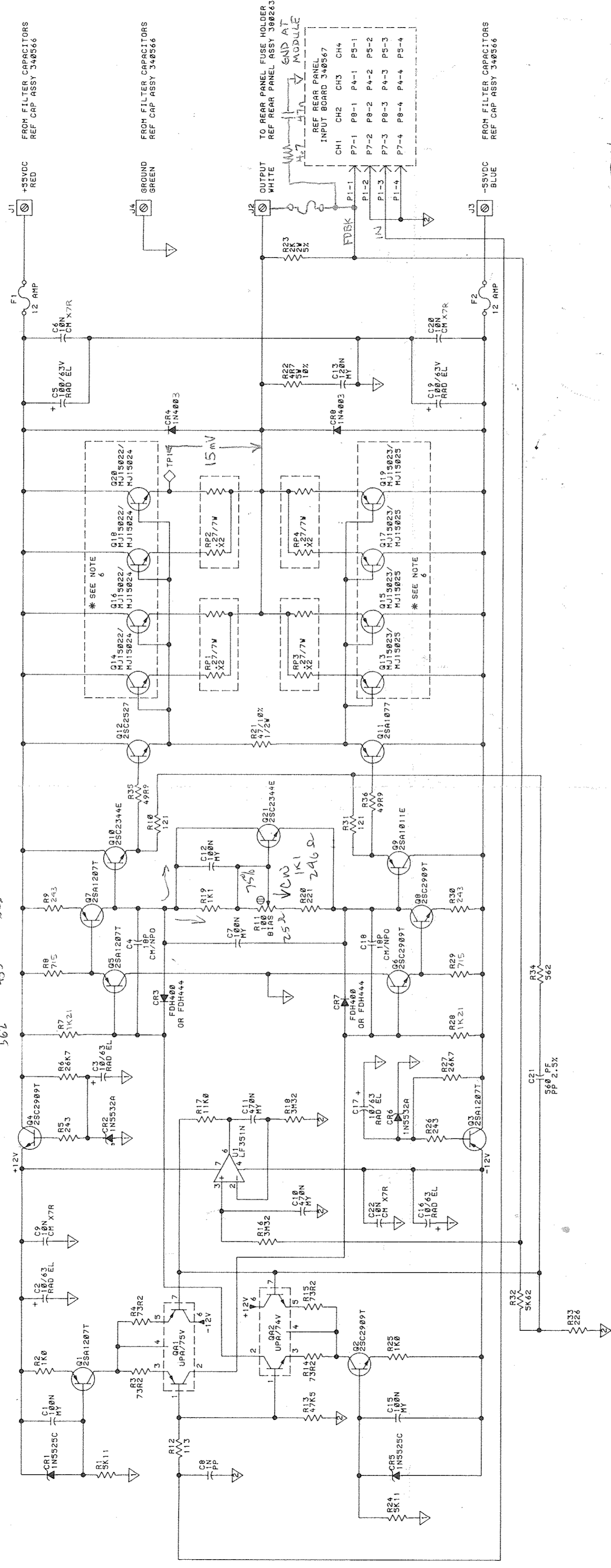


OLD VALUES 562 453 562



PWR SWITCH
220nfd 470-2 46w

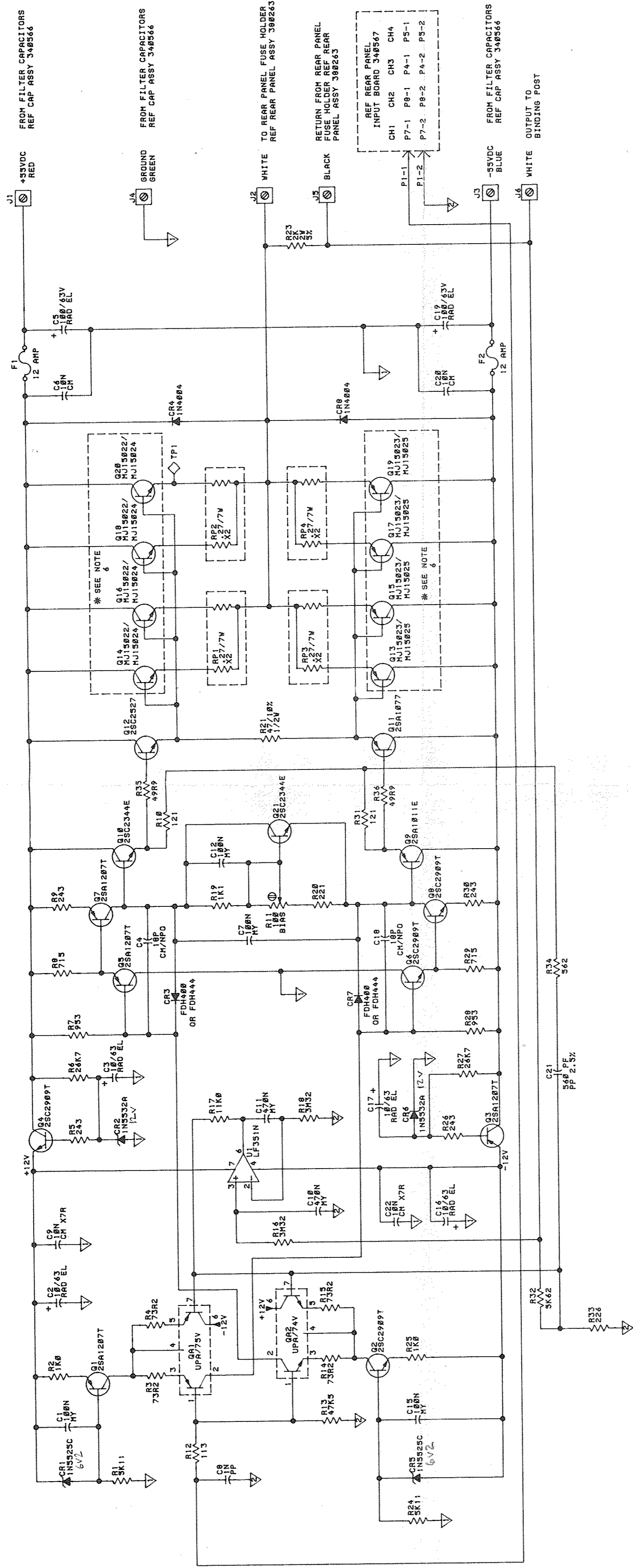
- NOTES:
UNLESS OTHERWISE SPECIFIED,
1. ALL RESISTORS ARE EXPRESSED IN OHMS AND ARE 1/4W, 1%.
 2. ALL CAPACITORS ARE EXPRESSED IN MICROFARADS.
 3. ALL MYLAR CAPACITORS ARE +/-5%.
 4. ALL RAD EL CAPACITORS ARE +0%/ -10%.
 5. ALL CM X7R CAPACITORS ARE +/-10%.
 6. Q13 THRU Q20 ARE MOUNTED TO THE HEATSINK. THE BASE AND EMITTER LEADS ARE SOCKETED TO THE PCB. THE COLLECTORS ARE THE TRANSISTOR CASES AND ARE SCREWED TO THE SPACERS. REF HEATSINK ASSY, DWG #380264.
 7. REF SYSTEM WIRING DIAGRAM, #340639, FOR CABLING INFORMATION.
 8. ▽ DESIGNATES POWER GROUND.
 9. ▽ DESIGNATES SIGNAL GROUND.

REFERENCE DESIGNATION	NOT USED
C22	C14
CR8	-
F2	-
J4	-
P1	-
Q21	-
Q22	-
R36	-
RP4	-
U1	-
TP1	-

REVISIONS	
REV	DESCRIPTION
R203	

APPROVAL	
PRELIM	DATE
DR	10/16/67
CHKD	10/16/67
PROJ ENG	10/16/67
CH ENG	10/16/67
OFF MGR	10/16/67

dbx	NEWTON, MA. 02195
SCHEMATIC	
BX1 POWER AMPLIFIER	
MODULE BOARD	
SCALE: NONE	SIZE NUMBER
SHEET 1 OF 1	C
REV	REV
00	00



NOTES:

UNLESS OTHERWISE SPECIFIED;

1. ALL RESISTORS ARE EXPRESSED IN OHMS AND ARE 1/4W, 1%.
2. ALL CAPACITORS ARE EXPRESSED IN MICROFARADS.
3. ALL MYLAR CAPACITORS ARE +/-5%.
4. ALL RAD EL CAPACITORS ARE +80%/-10%.
5. ALL CM X7R CAPACITORS ARE +/-10%.
6. Q13 THRU Q20 ARE MOUNTED TO THE HEATSINK. THE BASE AND EMITTER LEADS ARE SOCKETED TO THE PCB. THE COLLECTORS ARE THE TRANSISTOR CASES AND ARE SCREWED TO THE SPACERS. REF HEATSINK ASSY, DWG #380264.
7. REF SYSTEM WIRING DIAGRAM, #340639, FOR CABLING INFORMATION.
8. ▽ DESIGNATES POWER GROUND.
▽ DESIGNATES SIGNAL GROUND.

REFERENCE DESIGNATION	LAST USED	NOT USED
C22	C13, C14	
CR8	-	
F2	-	
J6	-	
P1	-	
Q21	-	
QA2	-	
R36	R22	
RP4	-	
U1	-	
TP1	-	

EXPERIMENTAL
MODULES ONLY

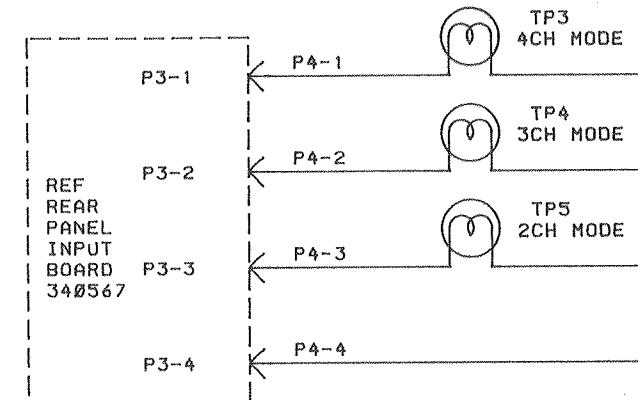
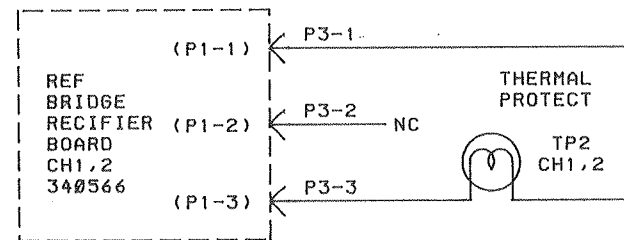
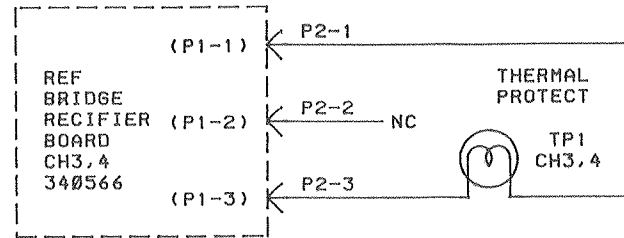
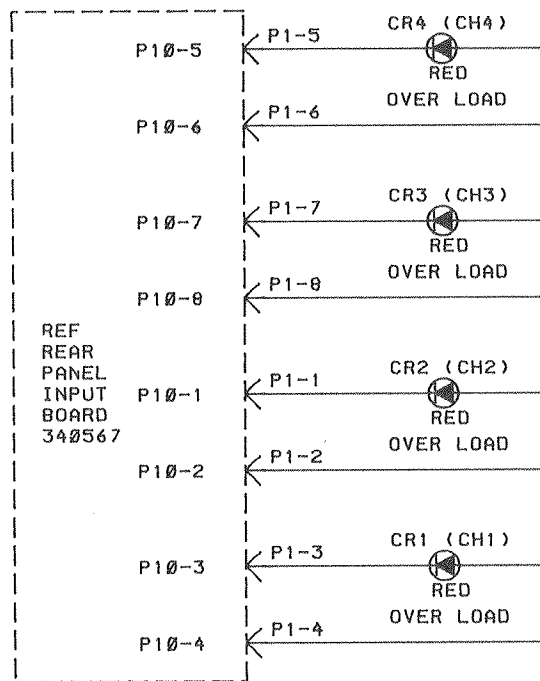
APPROVAL		DATE	DATE
PRELIM DRAWN	SA	1/16/81	1/16/81
CHECKED	JN	1/16/81	
PROJ ENG	JRA	1/16/81	
CH ENG	GKH	1/16/81	
DFT MGR	PT	1/16/81	
		CHECKED	
		PROJ ENG	
		CH ENG	
		RELEASED	

dbx	NEWTON, MA. 02195
SCHEMATIC	
BX1 POWER AMPLIFIER	
MODULE BOARD	
SCALE: NONE	SIZE NUMBER C
SHEET 1 OF 1	REV 00

BX1 USED ON

NOTE:

- 1. REF SYSTEM WIRING DIAGRAM, #340639, FOR CABLING INFORMATION.



REFERENCE DESIGNATION	
LAST USED	NOT USED
P4	-
TP5	-
CR4	-

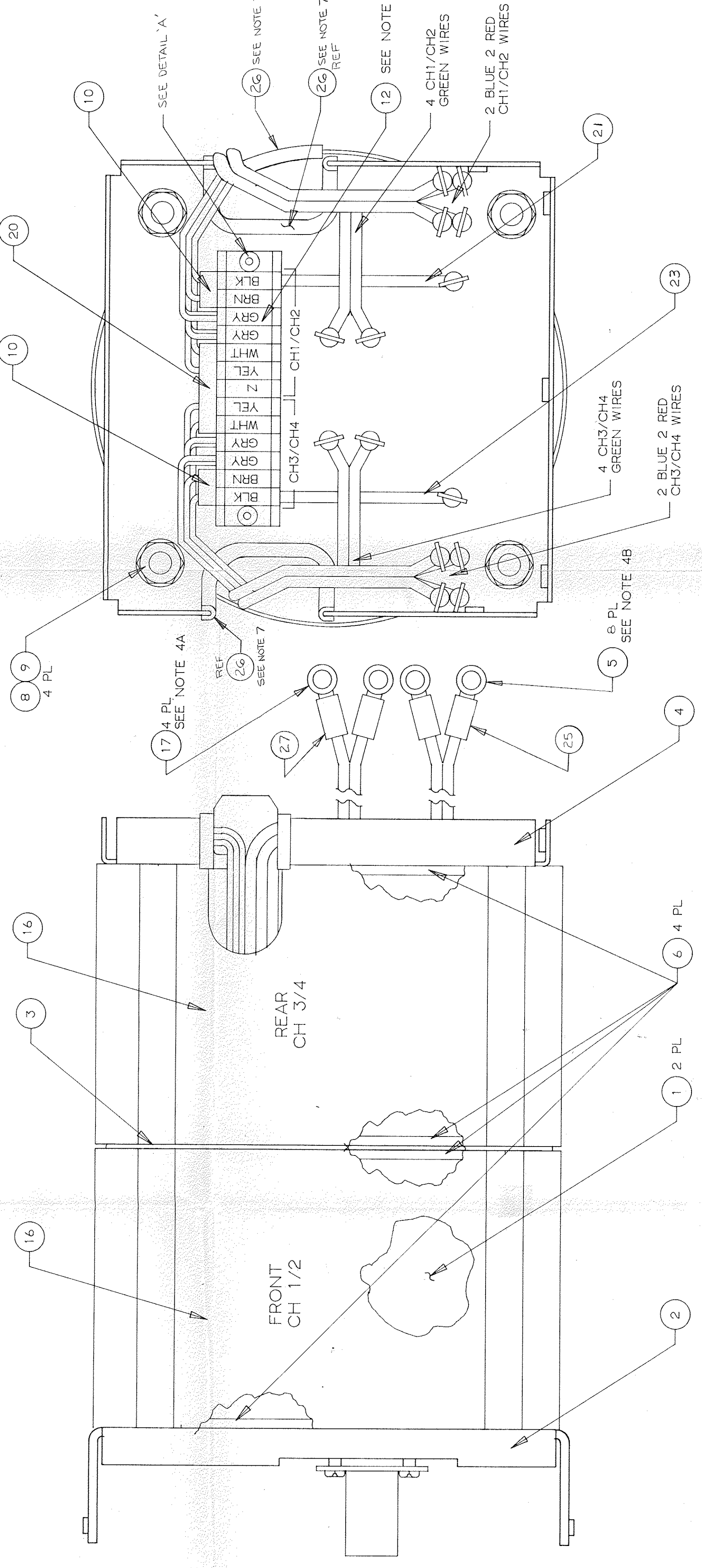
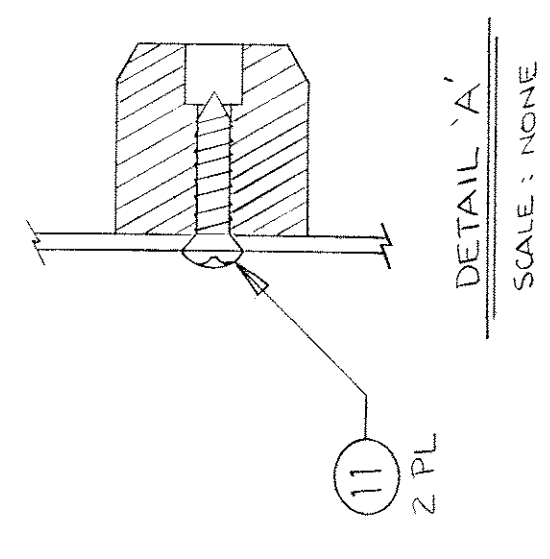
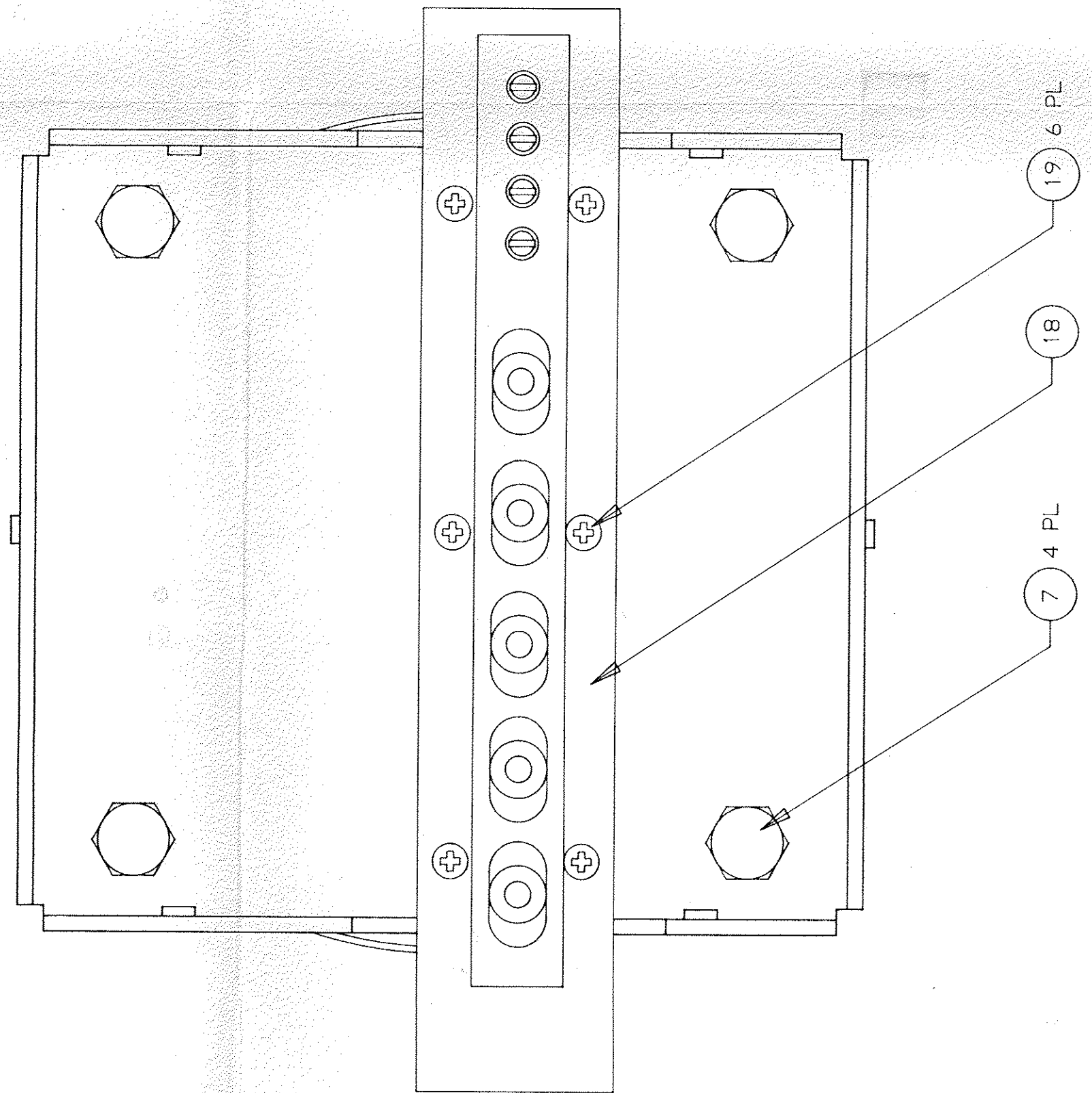
REV	DESCRIPTION	DR	APP	DATE

APPROVAL	dbx			
	PRELIM	DATE	FINAL	DATE
	DRAWN REH	8/31/87	AS	9/1/87
	CHECKED [Signature]	9/1/87	CHECKED	
	PROJ ENG [Signature]	9/1/87	PROJ ENG	
	CH ENG [Signature]	9/1/87	CH ENG	
DFT MGR [Signature]	9/1/87	RELEASED		

BX1		USED ON	
dbx NEWTON, MA. 02195			
SCHEMATIC BX1 FRONT PANEL BOARD			
SCALE: NONE	SIZE	NUMBER	REV
SHEET 1 OF 1	B	340568	00

BX1 XFMR LEAD LENGTH CHART			
COLOR	FRONT CH 1/2 XFMR	REAR CH 3/4 XFMR	
BLK 1	7.25	1	4.00
GRY PAIR *2	8.00	2	4.25
WHT 3	8.75	3	5.00
BRN 4	7.50	4	4.25
GRY PAIR *5	8.00	5	4.75
YEL 6	9.00	6	5.25
RED 7	18.50	7	14.75
GRNS 8	12.75	8	12.75
BLU 9	17.25	9	13.75
RED 11	15.75	11	11.75
GRNS 12	12.75	12	12.75
BLU 14	15.00	14	11.00

* SEE NOTE 3



- NOTES:
- REF PARTS LIST PL380258.
 - CUT XFMR LEADS TO LENGTHS SHOWN IN TABLE, THEN STRIP .30 ± .06.
 - ENDS OF GREY WIRE PAIRS ARE TO BE TWISTED TOGETHER BEFORE INSERTING INTO BARRIER STRIP.
 - CRIMP ONE RING TERMINAL ITEM 17 ONTO EACH PAIR OF GREEN XFMR LEADS.
 - CRIMP ONE RING TERMINAL ITEM 5 ONTO EACH BLUE, RED XFMR WIRES.
 - SNAP COLORED TAGS ONTO TERMINAL STRIP ITEM 12 IN THE ORDER SHOWN. TAGS ARE PROVIDED WITH THE TERMINAL STRIP
 - ASSEMBLE TERMINAL STRIP ITEM 12 TO THE REAR OF THE XFMR BRKT ITEM 4 BEFORE BOLTING BRKT TO REST OF ASSY
 - FOR COMPLETE ASSEMBLY INSTRUCTIONS SEE ASSEMBLY PROCEDURE 4500002.
 - ATTACH FLEXIBLE GROMMET (ITEM 26) TO ALL EDGES WHERE WIRE MAY CHAFE.

APPROVAL		DATE	
PRELIM	FINAL	DATE	DATE
DESIGNED	CHECKED	10/1/77	10/1/77
PROV. ENG.	PROV. ENG.	10/1/77	10/1/77
CH. ENG.	CH. ENG.	10/1/77	10/1/77
APPROVED	APPROVED	10/1/77	10/1/77

UNLESS OTHERWISE SPECIFIED, ALL DIMENSIONS ARE IN INCHES AND DECIMALS UNLESS NOTED OTHERWISE.

TOLERANCES ON INCHES:
 .XX - .499 .015
 .500 - .999 .005
 1.000 - 4.999 .003
 5.000 - 9.999 .002
 10.000 - 49.999 .0015
 50.000 - 99.999 .001

TOLERANCES ON MILLIMETERS:
 .00 - .25mm .075mm
 .25 - .99mm .125mm
 1.00 - 4.99mm .20mm
 5.00 - 9.99mm .30mm
 10.00 - 49.99mm .50mm
 50.00 - 99.99mm .75mm

ANGLES: 1/16, 1/8, 1/4, 1/2, 3/4, 1, 1 1/2, 2, 3, 4, 6, 8, 10, 12, 15, 20, 25, 30, 45, 60, 75, 90, 105, 120, 135, 150, 165, 180

APPROVED FOR PRODUCTION TOOLING: DATE 10/1/77

REVISIONS:

REV	DESCRIPTION	DATE
1		

USED ON: BX1

dbx. NEWTON, MA. 02195

BX1 TRANSFORMER ASSEMBLY

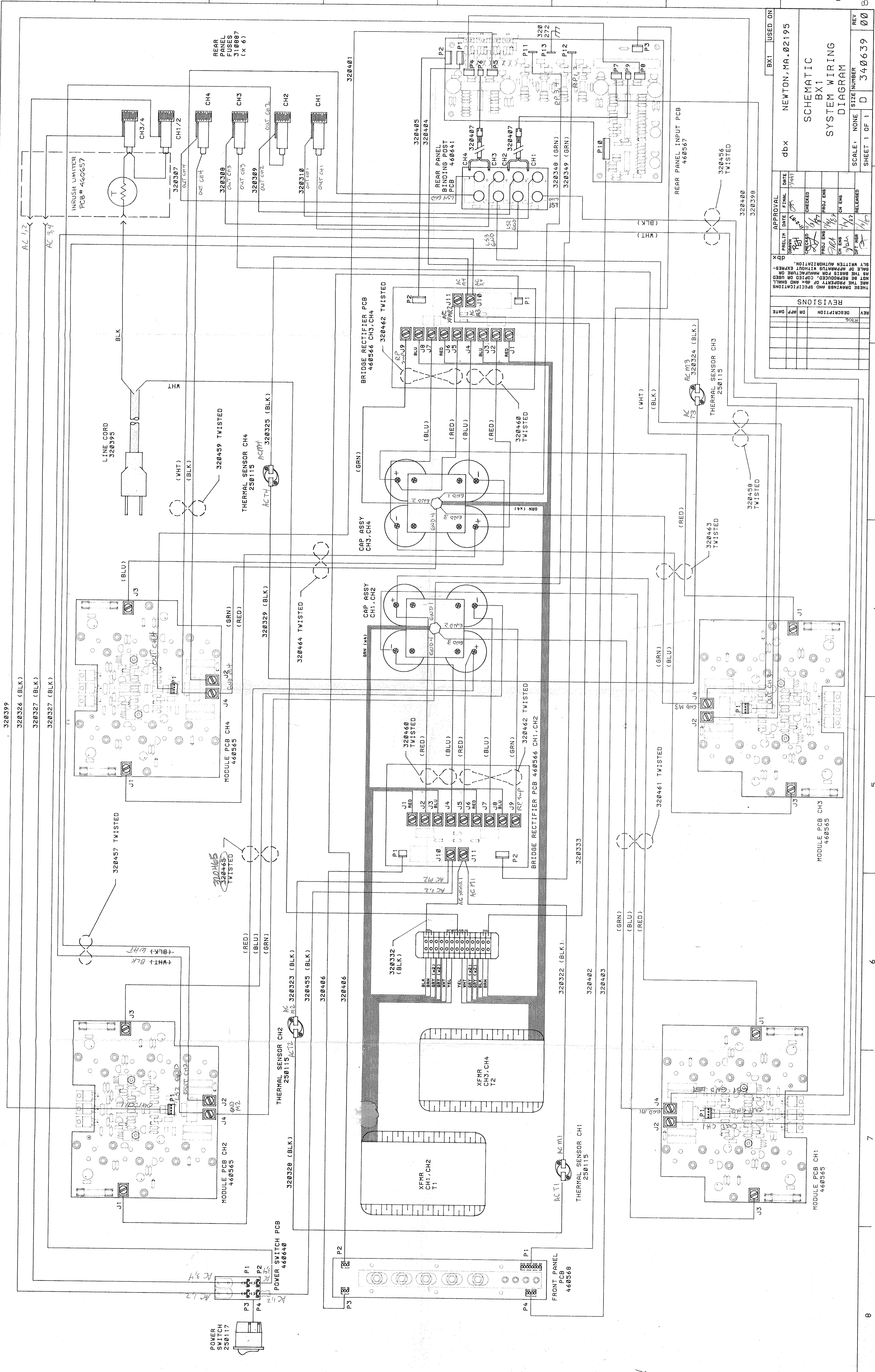
SCALE: 1/1

SHT: 1 OF 1

SIZE: D

NUMBER: 380258

REV: 000



REVISIONS		APPROVAL	
REV	DESCRIPTION	DATE	DATE
1			
2			
3			
4			
5			
6			
7			
8			

SCALE: NONE	SIZE NUMBER: D	340639
SHEET 1 OF 1	REV: 00	

THESE DRAWINGS AND SPECIFICATIONS ARE THE PROPERTY OF DBX AND SHALL NOT BE REPRODUCED, COPIED OR USED IN ANY MANNER WITHOUT EXPRESS WRITTEN AUTHORIZATION.

DATE: 1/16/47
 DRAWN: [Signature]
 CHECKED: [Signature]
 PROJ. ENG: [Signature]
 CH. ENG: [Signature]
 P. ENG: [Signature]
 RELEASED: [Signature]

NEWTON, MA. 02195
 dbx

SCHEMATIC
 BX1
 SYSTEM WIRING
 DIAGRAM

USED ON: BX1