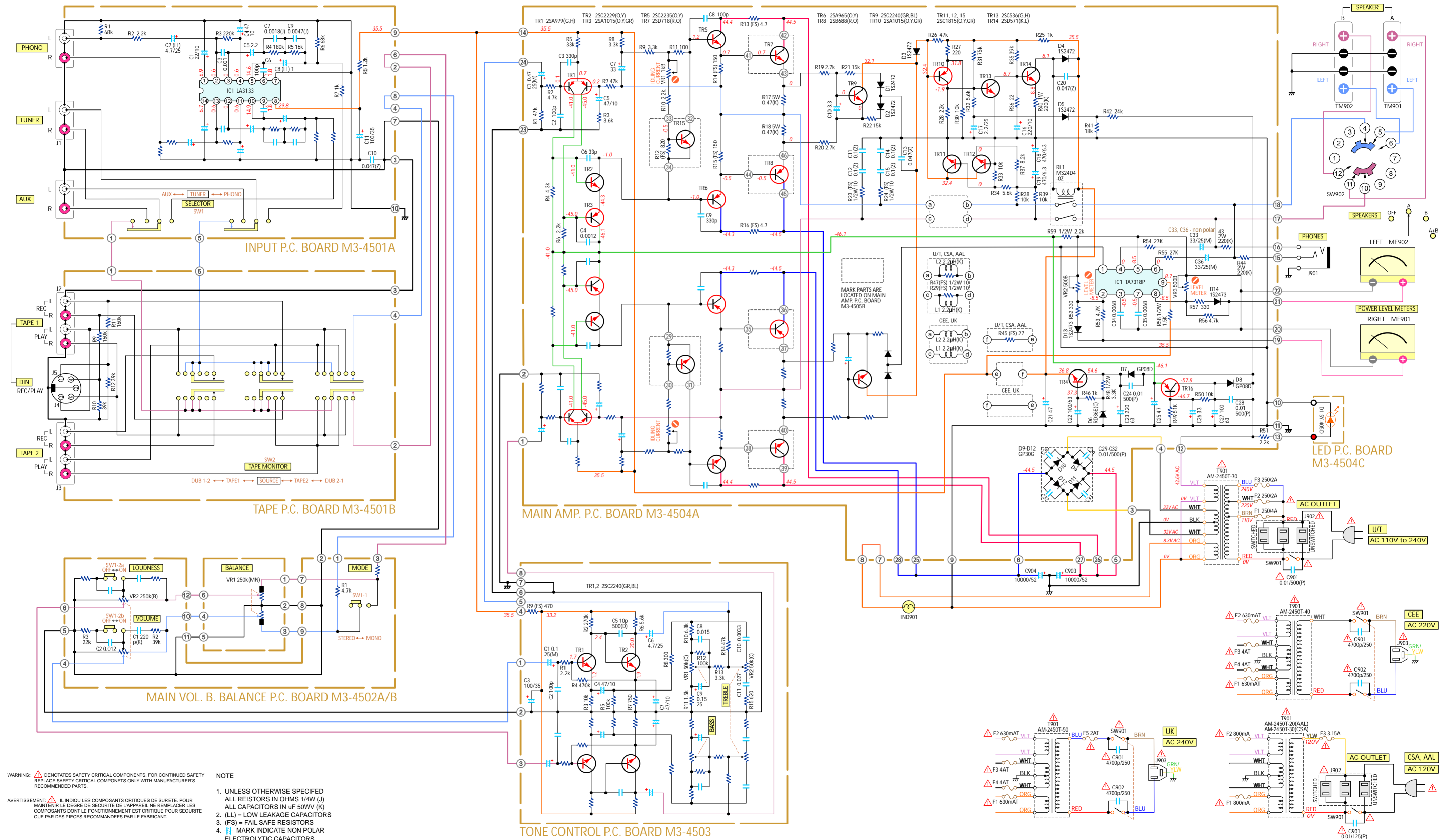


This is a custom vector drawing based on AKAI original schematic, made by my own. The size is ISO A2 (594x420 mm) but may be scaled to any size for printing and/or viewing. You may download to a local hard disk extracts and/or print this document for personal (non commercial) and educational use only. Commercial copying, hiring, lending of this document or any part of this document is prohibited. You may not distribute or commercially exploit the content. Nor may you transmit it or store it in any other website or other form of electronic retrieval system. In all cases this notice must remain intact. Copyright © 2017. by Mrki, AK member (www.audiokarma.org)



**WARNING:** ⚠ DENOTES SAFETY CRITICAL COMPONENTS. FOR CONTINUED SAFETY REPLACE SAFETY CRITICAL COMPONENTS ONLY WITH MANUFACTURER'S RECOMMENDED PARTS.

**AVERTISSEMENT:** ⚠ IL INDIQUE LES COMPOSANTS CRITIQUES DE SURETE. POUR MAINTENIR LE DEGRE DE SURETE DE L'APPAREIL NE REMPLACEZ LES COMPOSANTS DONT LE FONCTIONNEMENT EST CRITIQUE POUR SURETE QUE PAR DES PIECES RECOMMANDEES PAR LE FABRICANT.

**NOTE:**

- UNLESS OTHERWISE SPECIFIED ALL RESISTORS IN OHMS 1/4W (J)
- ALL CAPACITORS IN uF 50VW (K)
- (LL) = LOW LEAKAGE CAPACITORS
- (FS) = FAIL SAFE RESISTORS
- ⚡ MARK INDICATE NON POLAR ELECTROLYTIC CAPACITORS

NOTE: Your use of this document is entirely at your own risk, for which I shall NOT BE LIABLE. Thus, that assumes or undertakes NO LIABILITY for any loss or damage suffered as a result of the use, misuse or reliance on the information and content on this document. All of the information provided in this document is provided "AS-IS" and with NO WARRANTIES.

