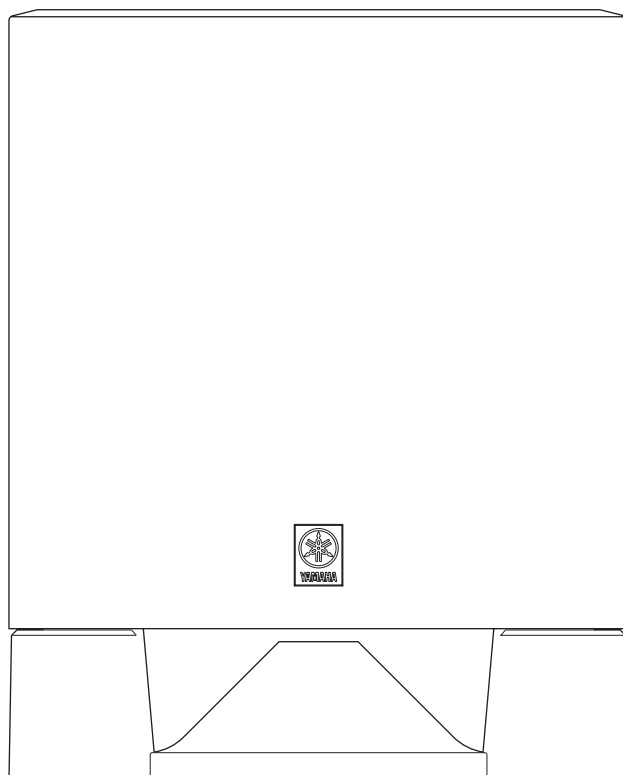


SUBWOOFER SYSTEM YST-SW030/YST-SW010

SERVICE MANUAL



IMPORTANT NOTICE

This manual has been provided for the use of authorized YAMAHA Retailers and their service personnel.

It has been assumed that basic service procedures inherent to the industry, and more specifically YAMAHA Products, are already known and understood by the users, and have therefore not been restated.

WARNING: Failure to follow appropriate service and safety procedures when servicing this product may result in personal injury, destruction of expensive components, and failure of the product to perform as specified. For these reasons, we advise all YAMAHA product owners that any service required should be performed by an authorized YAMAHA Retailer or the appointed service representative.

IMPORTANT: The presentation or sale of this manual to any individual or firm does not constitute authorization, certification or recognition of any applicable technical capabilities, or establish a principle-agent relationship of any form.

The data provided is believed to be accurate and applicable to the unit(s) indicated on the cover. The research, engineering, and service departments of YAMAHA are continually striving to improve YAMAHA products. Modifications are, therefore, inevitable and specifications are subject to change without notice or obligation to retrofit. Should any discrepancy appear to exist, please contact the distributor's Service Division.

WARNING: Static discharges can destroy expensive components. Discharge any static electricity your body may have accumulated by grounding yourself to the ground buss in the unit (heavy gauge black wires connect to this buss).

IMPORTANT: Turn the unit OFF during disassembly and part replacement. Recheck all work before you apply power to the unit.

■ CONTENTS

| | |
|-------------------------------------|------|
| TO SERVICE PERSONNEL | 2 |
| SPECIFICATIONS / 参考仕様 | 3~4 |
| INTERNAL VIEW | 4 |
| REAR PANELS | 5~8 |
| DISASSEMBLY PROCEDURES / 分解手順 | 9~10 |

| | |
|-----------------------------|-------|
| BLOCK DIAGRAM | 10 |
| PRINTED CIRCUIT BOARD | 11~12 |
| SCHEMATIC DIAGRAM | 13~14 |
| PARTS LIST | 15~25 |



このサービスマニュアルは、エコマーク認定の再生紙を使用しています。
This Service Manual uses recycled paper.

100886




YAMAHA
YAMAHA CORPORATION
P.O.Box 1, Hamamatsu, Japan

YST-SW030/
YST-SW010

■ TO SERVICE PERSONNEL

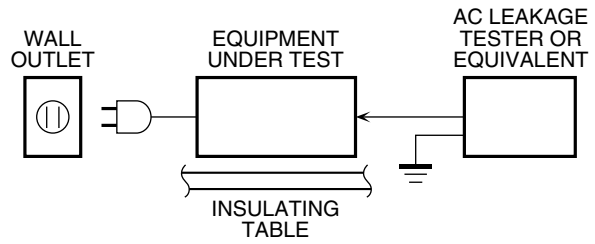
1. Critical Components Information

Components having special characteristics are marked  and must be replaced with parts having specifications equal to those originally installed.

2. Leakage Current Measurement (For 120V Models Only)

When service has been completed, it is imperative to verify that all exposed conductive surfaces are properly insulated from supply circuits.

- Meter impedance should be equivalent to 1500 ohm shunted by 0.15μF.



- Leakage current must not exceed 0.5mA.
- Be sure to test for leakage with the AC plug in both polarities.



“CAUTION”

“F1: FOR CONTINUED PROTECTION AGAINST RISK OF FIRE, REPLACE ONLY WITH SAME TYPE 2A (YST-SW030) / 1.6A (YST-SW010), 125V FUSE.”

CAUTION

F1: REPLACE WITH SAME TYPE 2A (YST-SW030) / 1.6A (YST-SW010), 125V FUSE.

ATTENTION

F1: UTILISER UN FUSIBLE DE RECHANGE DE MEME TYPE DE 2A (YST-SW030) / 1.6A (YST-SW010), 125V.

WARNING: CHEMICAL CONTENT NOTICE!

The solder used in the production of this product contains LEAD. In addition, other electrical/electronic and /or plastic (where applicable) components may also contain traces of chemicals found by the California Health and Welfare Agency (and possibly other entities) to cause cancer and/or birth defects or other reproductive harm.

DO NOT PLACE SOLDER, ELECTRICAL/ELECTRONIC OR PLASTIC COMPONENTS IN YOUR MOUTH FOR ANY REASON WHATSOEVER!

Avoid prolonged, unprotected contact between solder and your skin! When soldering, do not inhale solder fumes or expose eyes to solder/flux vapor!

If you come in contact with solder or components located inside the enclosure of this product, wash your hands before handling food.

About Lead Free Solder / 無鉛ハンダについて

The foil side of MAIN P.C.B. used for this product are soldered with lead free soldering material which is an alloy of Sn+Ag+Cu (tin + silver + copper).

Among some types of lead free solder currently available, it is recommended to use one of the following types for the repair work.

- Sn + Ag + Cu (tin + silver + copper)
- Sn + Cu (tin + copper)
- Sn + Zn + Bi (tin + zinc + bismuth)

Caution:

1. As the melting point temperature of the lead free solder is about 30°C to 40°C (50°F to 70°F) higher than that of the lead solder, be sure to use a soldering iron suitable to each solder.
2. If lead solder must be used, be sure to remove lead free solder from each terminal section of the parts to be replaced and from the area around it completely before soldering, or make sure that the lead free solder and lead solder melt together fully.

この製品に使用されているMAIN P.C.B.のハンダ面のハンダ付けには、Sn+Ag+Cu(錫+銀+銅)の合金である無鉛ハンダが使用されています。

無鉛ハンダにはいくつかの種類がありますが、修理時には下記のような無鉛ハンダの使用を推奨します。

- ・ Sn+Ag+Cu(錫+銀+銅)
- ・ Sn+Cu(錫+銅)
- ・ Sn+Zn+Bi(錫+亜鉛+ビスマス)

注意：

- ① 無鉛ハンダの融点温度は通常の鉛入りハンダに比べ30～40℃程度高くなっていますので、それぞれのハンダに合ったハンダごてをご使用ください。
- ② 鉛入りハンダを使わざるを得ない場合は、あらかじめ交換する部品端子部やその周辺部の無鉛ハンダをすべて取り除くか、あるいは無鉛ハンダと鉛入りハンダが十分に溶けた状態となるようにハンダ付けしてください。

■ SPECIFICATIONS / 参考仕様

Type / 型式 Advanced Yamaha Active Servo Technology

Output Power / 出力 (100 Hz, 5 ohms, 10% T.H.D.)

[YST-SW030] 75 W

[YST-SW010] 50 W

Input Sensitivity / 入力感度 (50 Hz, 5 ohms)

INPUT (PJ)

[YST-SW030] 70 mV (75 W)

[YST-SW010] 50 mV (50 W)

Dynamic Power / ダイナミックパワー (5 ohms)

[YST-SW030] 130 W

[YST-SW010] 100 W

Input Impedance / 入力インピーダンス

INPUT (PJ) 12 k-ohms

Frequency Response / 再生周波数帯域

[YST-SW030] 28 Hz to 200 Hz

[YST-SW010] 30 Hz to 200 Hz

Driver / スピーカーユニット (Magnetic Shielding Type)

[YST-SW030] 8" (20 cm) cone

[YST-SW010] 6.5" (16 cm) cone

Input Section / 入力部

INPUT RCA Pin Jack

Operation Section / 操作部

Rear Panel Power Switch, Volume Control, LED Indicator,
Voltage Selector (L, R, T, K models)

Power Supply / 電源

U, C models AC 120 V, 60 Hz

A model AC 240 V, 50 Hz

B, G models AC 230 V, 50 Hz

L, R, T models AC 110-120 / 220-240 V, 50 / 60 Hz

K model AC 110 / 220 V, 60 Hz

J model AC 100 V, 50 / 60 Hz

Power Consumption / 消費電力

[YST-SW030]

U, C, A, B, G, L, R, T, K models 70 W

J model 40 W

[YST-SW010]

U, C, A, B, G, L, R, T, K models 45 W

J model 30 W

Dimensions / 外形寸法 (W x H x D)

[YST-SW030] 290 x 361 x 311 mm
(11-7/16" x 14-3/16" x 12-1/4")

[YST-SW010] 280 x 325 x 293 mm
(11-1/16" x 12-13/16" x 11-9/16")

Weight / 質量

[YST-SW030] 10.0 kg (22 lbs. 1 oz.)

[YST-SW010] 8.5 kg (18 lbs. 12 oz.)

Finish

Cherry Color A, B, G, L, R, T, K, J models

Black Color U, C, A, B, G, L, R, T, J models

Silver Color U, C, A, B, G, L, R, T, K, J models

Accessories / 付属品

Subwoofer Cable (5 m) x 1, Non-skid Pad x 4

* Specifications are subject to change without notice due to product improvements.

※ 参考仕様および外観は予告なく変更されることがあります。

U U.S.A. model

C Canadian model

A Australian model

B British model

G European model

L Singapore model

R General model

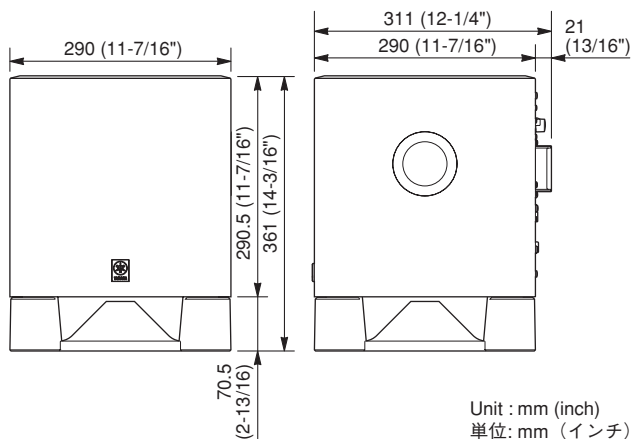
T Chinese model

K Korean model

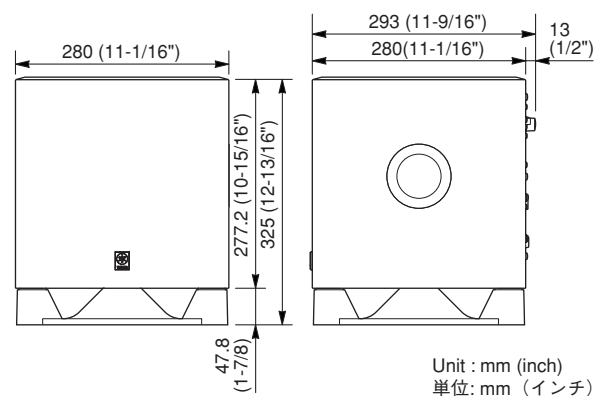
J Japanese model

• DIMENSIONS / 寸法図

[YST-SW030]



[YST-SW010]





Advanced YST

Advanced Yamaha Active Servo Technology is a unique system to let the speaker unit have a perfectly linear motion by the speaker and amplifier combination.

アドバンスドヤマハアクティブサーボテクノロジー

アドバンスドヤマハアクティブサーボテクノロジーは、スピーカーとアンプの組み合わせにより振動板を効率よくスムーズに動かし最大音圧時のリニアリティを大幅に改善したユニークなシステムです。



QD-Bass Technology

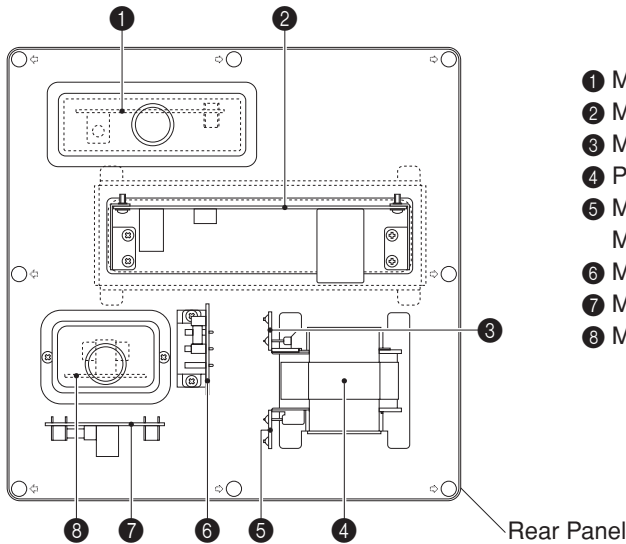
QD-Bass (Quatre Dispersion Bass) technology is a Yamaha unique technology to radiate the sound efficiently in four horizontal direction.

QD ベーステクノロジー

QD(キューディー)ベーステクノロジーは、低音エネルギーを4水平方向に効率よく放射するヤマハ独自のテクノロジーです。

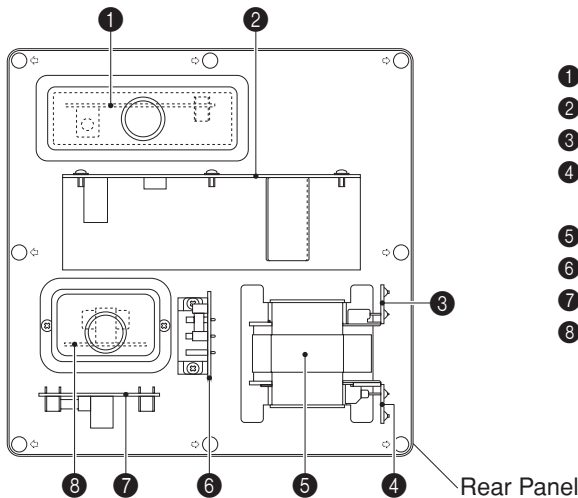
INTERNAL VIEW

YST-SW030



- ① MAIN (3) P.C.B.
- ② MAIN (1) P.C.B.
- ③ MAIN (6) P.C.B.
- ④ Power Transformer
- ⑤ MAIN (7) P.C.B. (U, C, A, B, G, J models)
MAIN (10) P.C.B. (L, R, T, K models)
- ⑥ MAIN (9) P.C.B. (L, R, T, K models only)
- ⑦ MAIN (2) P.C.B.
- ⑧ MAIN (4) P.C.B.

YST-SW010

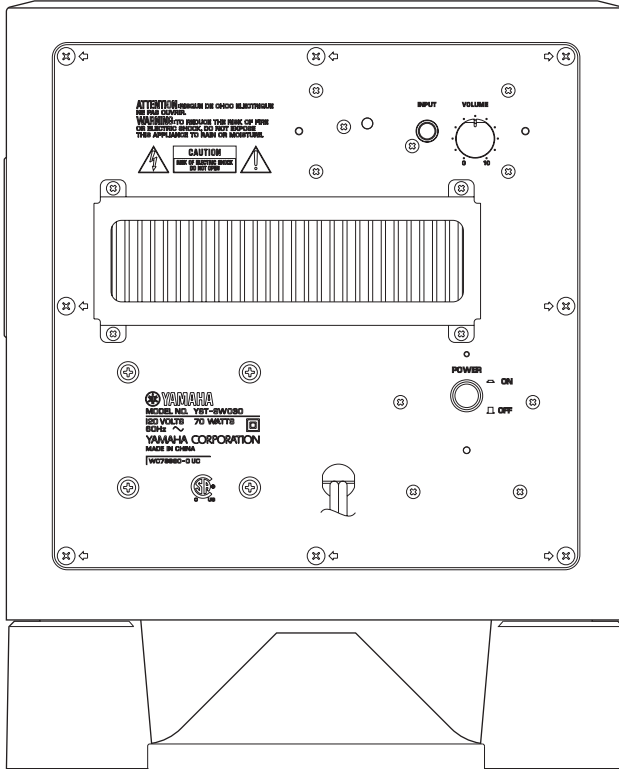


- ① MAIN (3) P.C.B.
- ② MAIN (1) P.C.B.
- ③ MAIN (6) P.C.B.
- ④ MAIN (7) P.C.B. (U, C, A, B, G, J models)
MAIN (10) P.C.B. (L, R, T, K models)
- ⑤ Power Transformer
- ⑥ MAIN (9) P.C.B. (L, R, T, K models only)
- ⑦ MAIN (2) P.C.B.
- ⑧ MAIN (4) P.C.B.

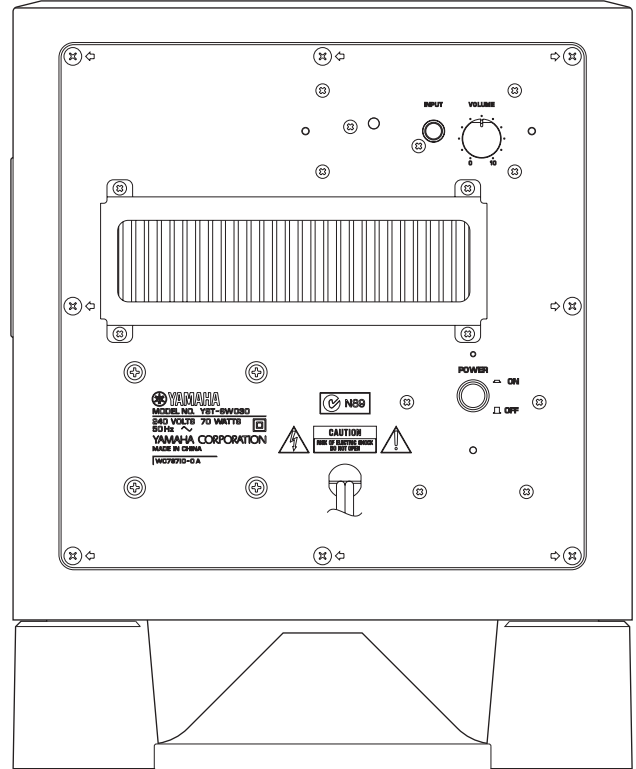
YST-SW030/
YST-SW010

REAR PANELS

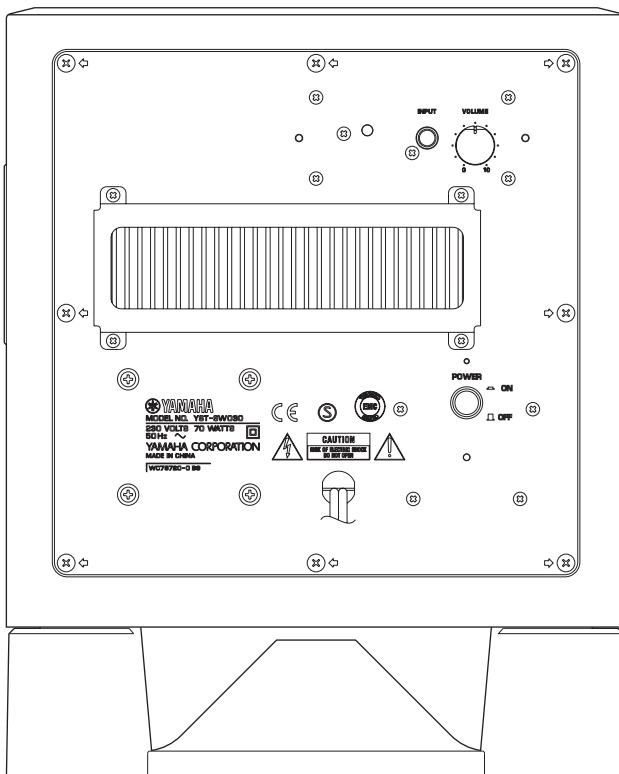
YST-SW030 (U, C models)



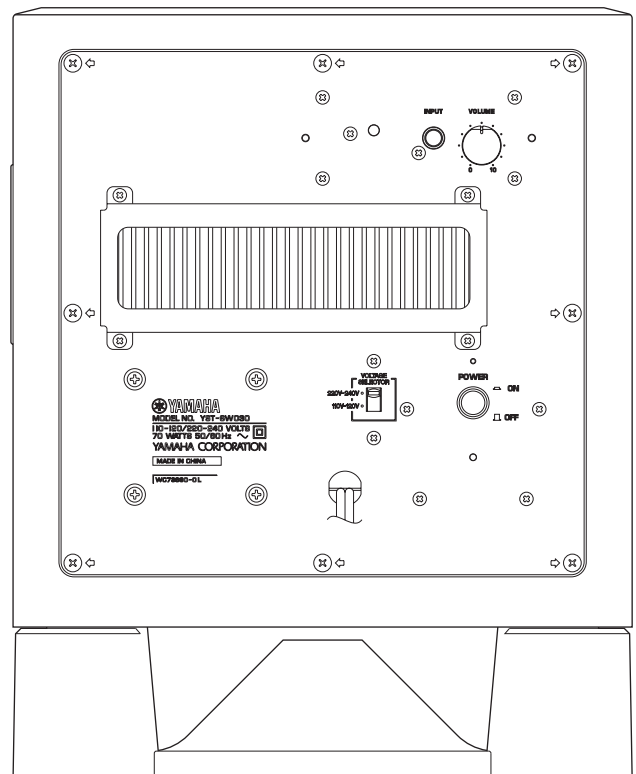
YST-SW030 (A model)



YST-SW030 (B, G models)

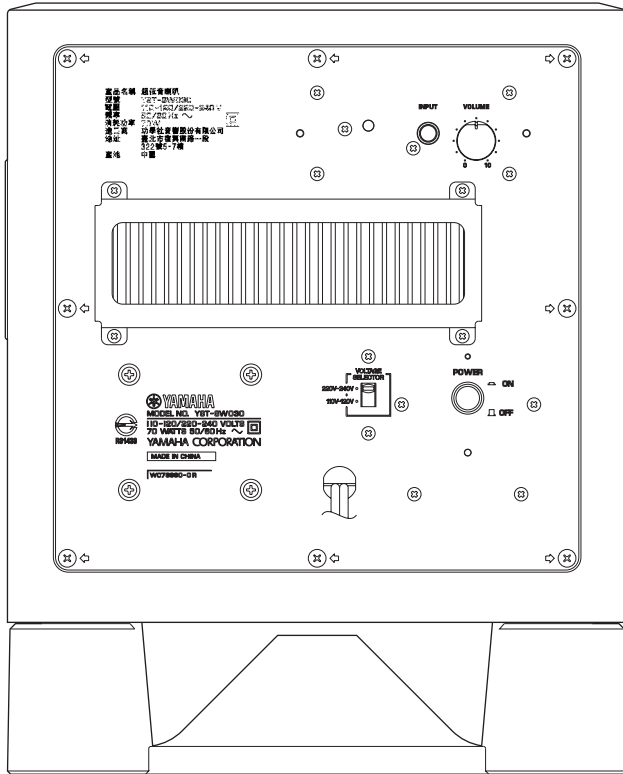


YST-SW030 (L model)

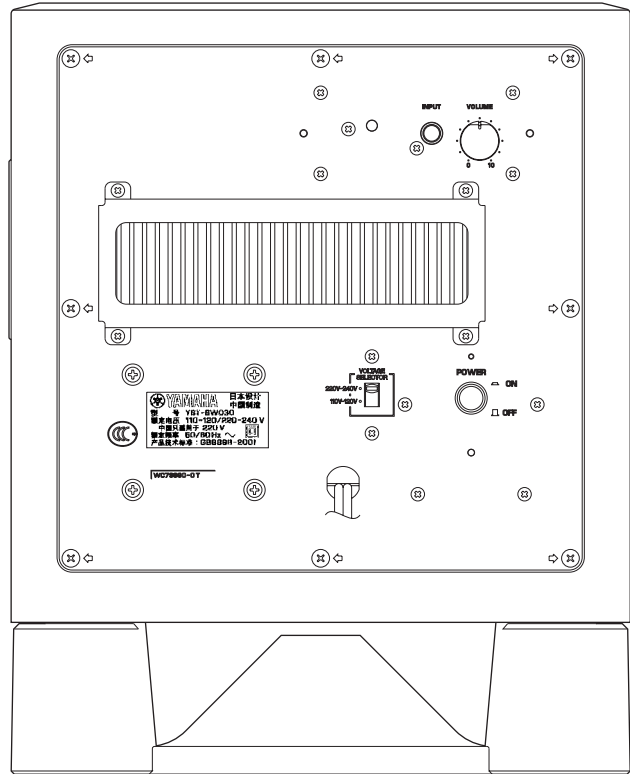


YST-SW030/
YST-SW010

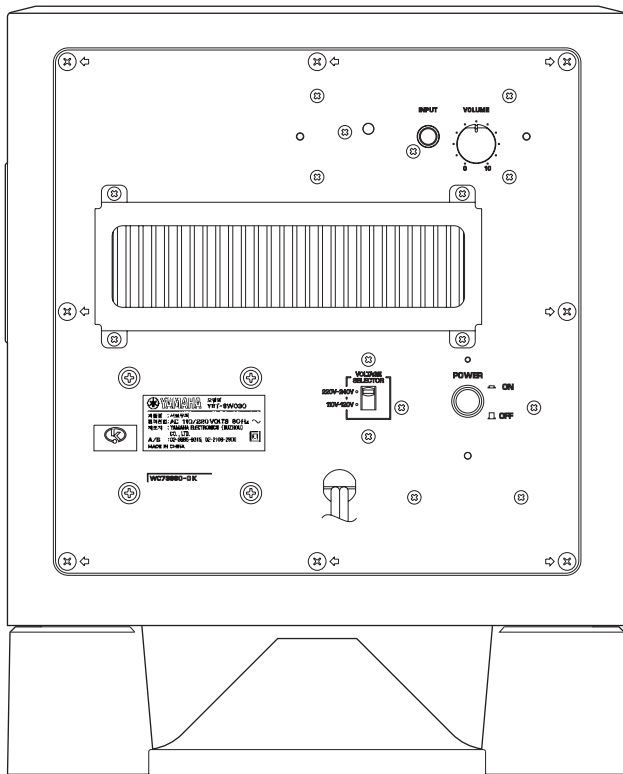
YST-SW030 (R model)



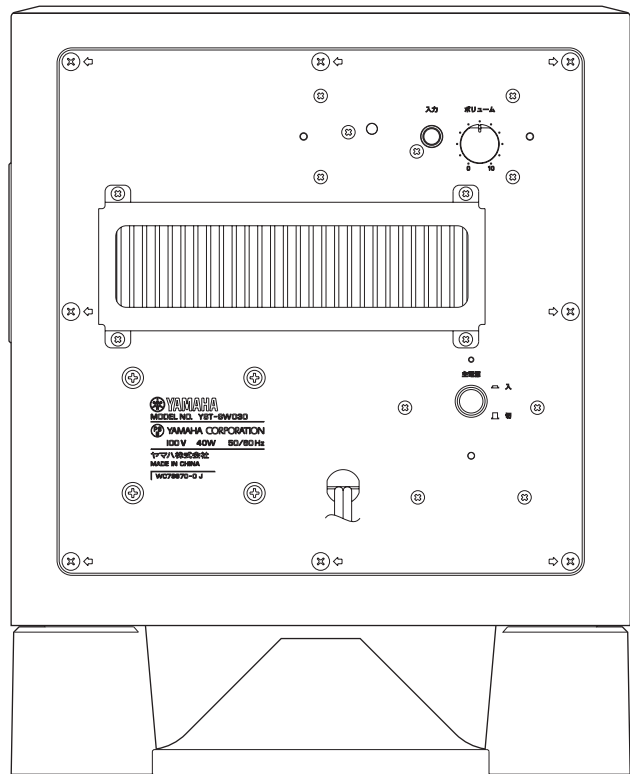
YST-SW030 (T model)



YST-SW030 (K model)

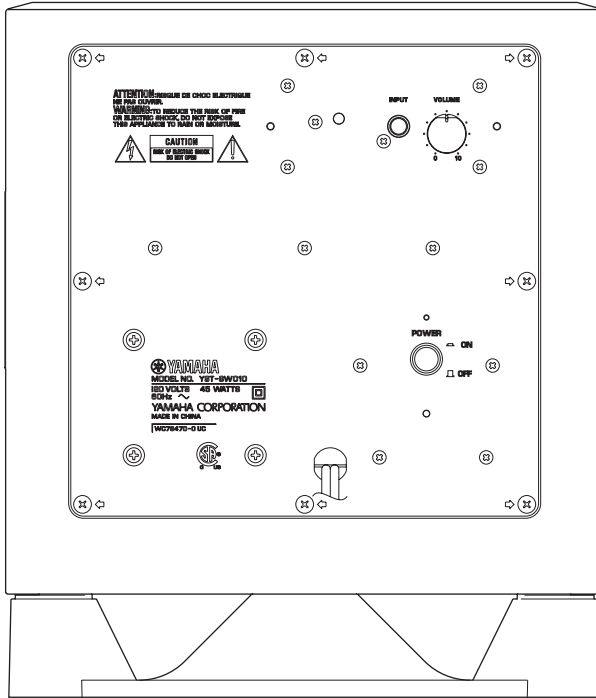


YST-SW030 (J model)

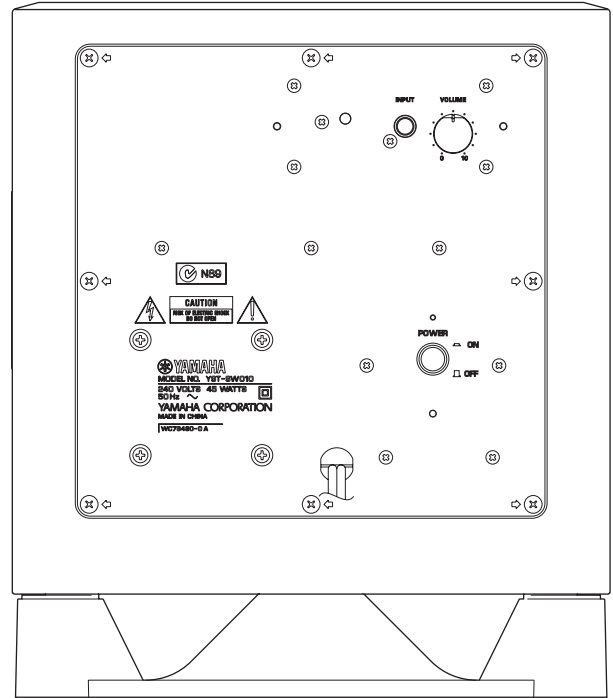


YST-SW030/
YST-SW010

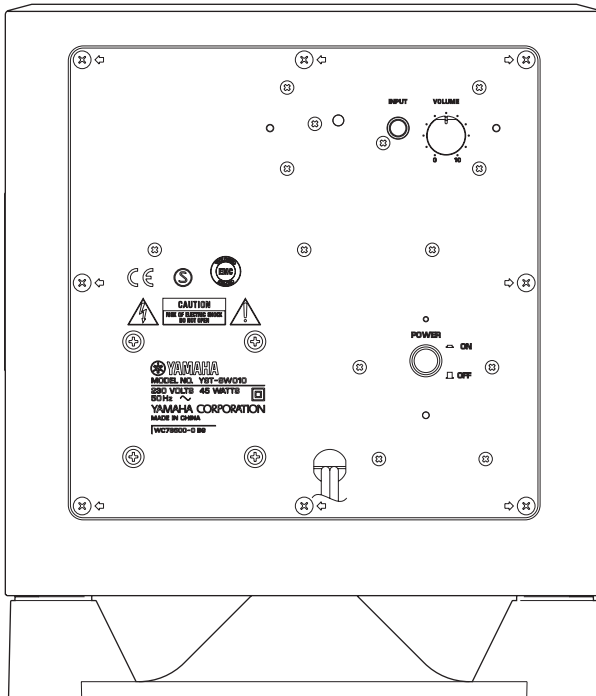
YST-SW010 (U, C models)



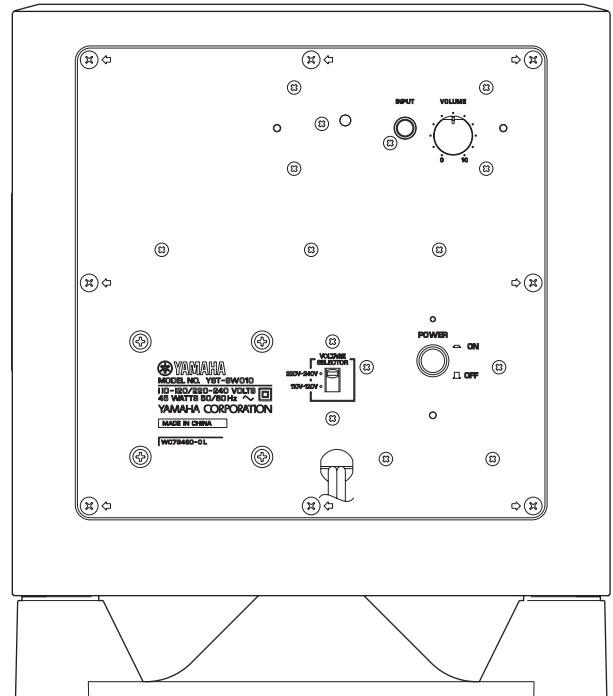
YST-SW010 (A model)



YST-SW010 (B, G models)

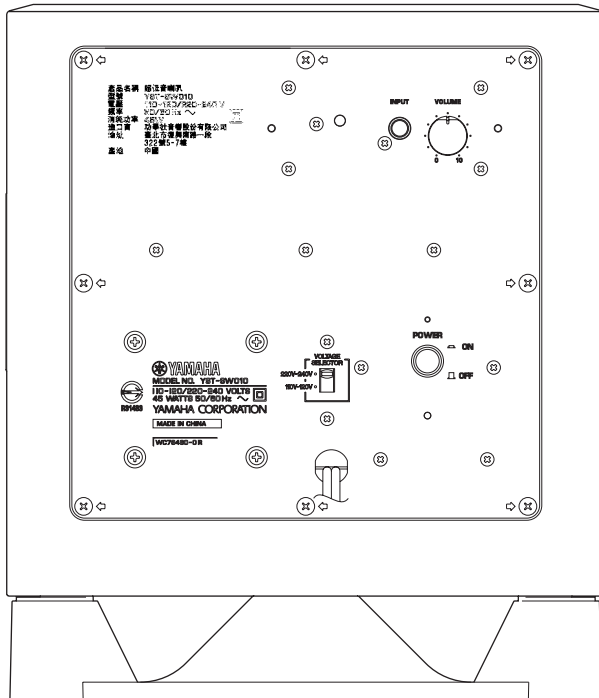


YST-SW010 (L model)

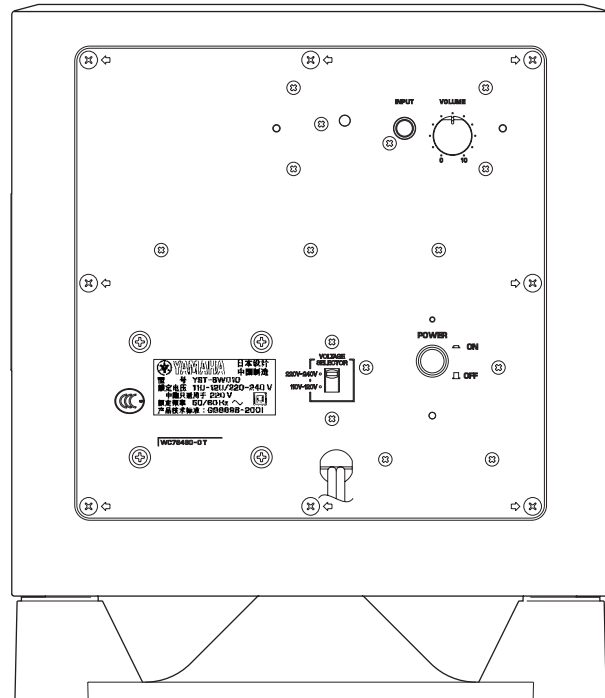


YST-SW030/
YST-SW010

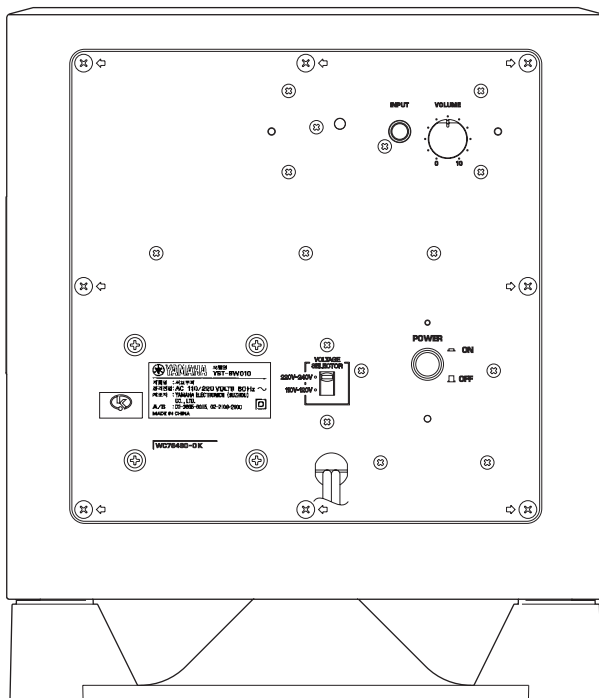
YST-SW010 (R model)



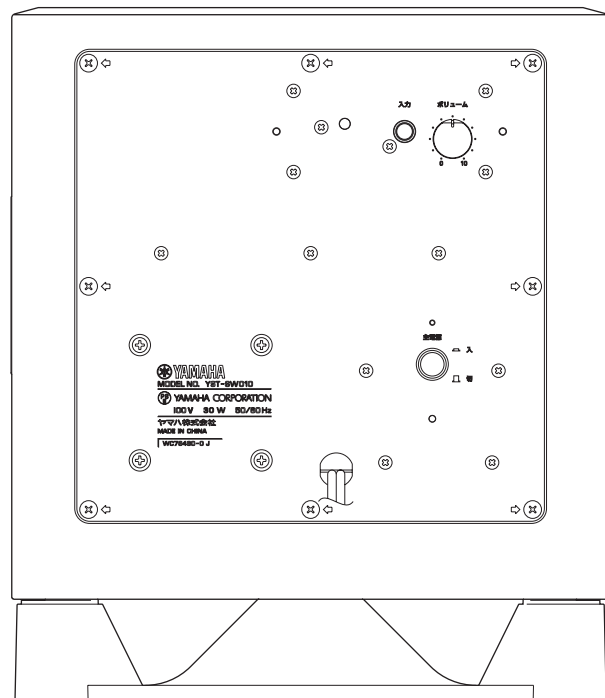
YST-SW010 (T model)



YST-SW010 (K model)



YST-SW010 (J model)



YST-SW030/
YST-SW010

DISASSEMBLY PROCEDURES / 分解手順

* The description below uses YST-SW030 as a representative model.

※ 本項目では、代表としてYST-SW030について記述します。

(Remove parts in the order as numbered.)

(番号順に部品を取り外してください。)

Disconnect the power cable from the AC outlet.

AC電源コンセントから、電源コードを抜いてください。

1. Removal of Driver

- Remove 4 screws (①) and then remove the Base. (Fig. 1)
- Remove 4 screws (②) and then remove the Driver. (Fig. 1)
- Disconnect the connector connected to the terminal of the Driver. (Fig. 1)

1. スピーカーユニットの外し方

- ①のネジ4本を外し、ベースを取り外します。(Fig. 1)
- ②のネジ4本を外し、スピーカーユニットを取り外します。(Fig. 1)
- スピーカーユニットの端子に接続されているコネクタを外します。(Fig. 1)

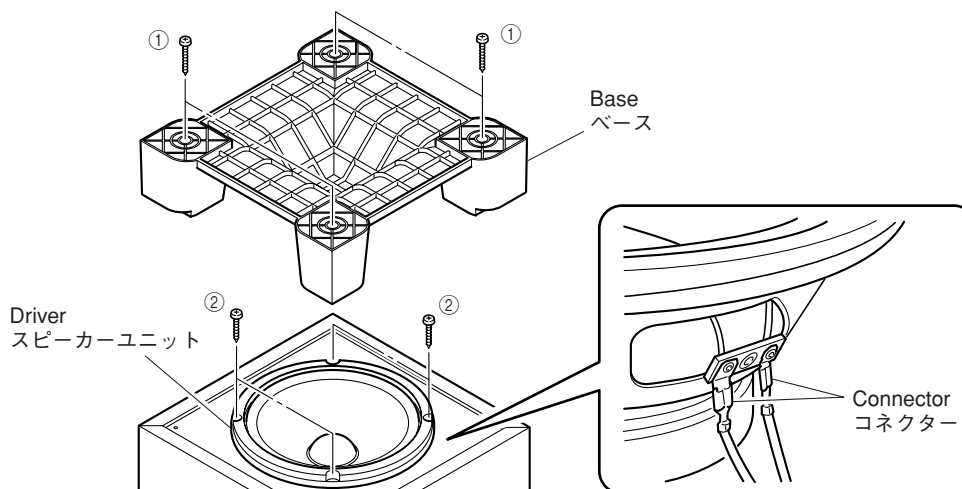


Fig. 1

2. Removal of Rear Panel Ass'y

- Remove 8 screws (③). (Fig. 2)
* Screws (③) are identified with arrow marks (◀).
- Pull out the rear panel ass'y. (Fig. 2)

2. リアパネルAss'yの外し方

- ③のネジ8本を外します。(Fig. 2)
※ 取り外す③のネジには矢印(◀)が印刷されています。
- リアパネルAss'yを引き出します。(Fig. 2)

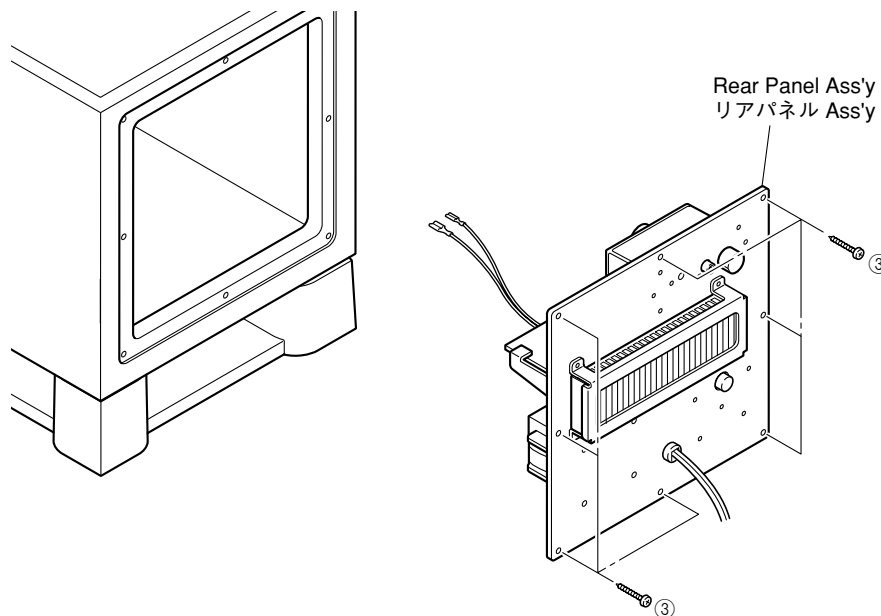


Fig. 2

When Checking the P.C.B.:

- Connect all the connectors removed during disassembly back to the original positions.
- Spread the Rubber sheet and cloth for insulation purpose and place the rear panel ass'y on it. (Fig. 3)

P.C.B.チェックをする場合には

- 分解の際に外したコネクタをすべて元通りに接続します。
- 絶縁のためにゴムシートと布を敷き、その上にリアパネル Ass'yを置いてチェックします。(Fig. 3)

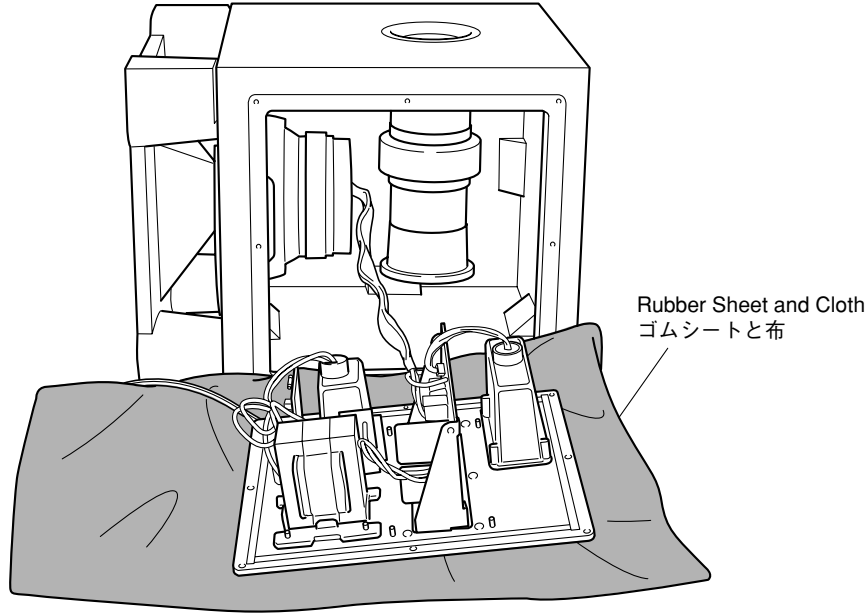
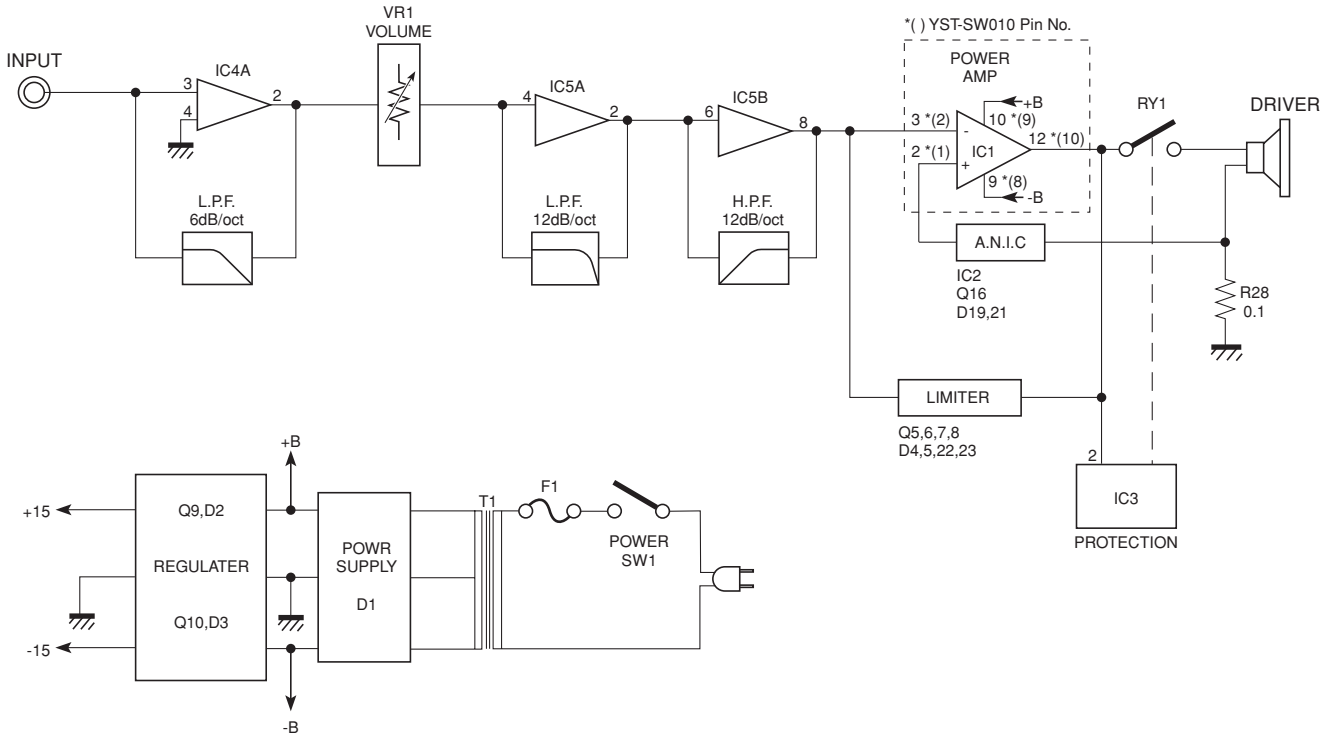


Fig. 3

■ BLOCK DIAGRAM

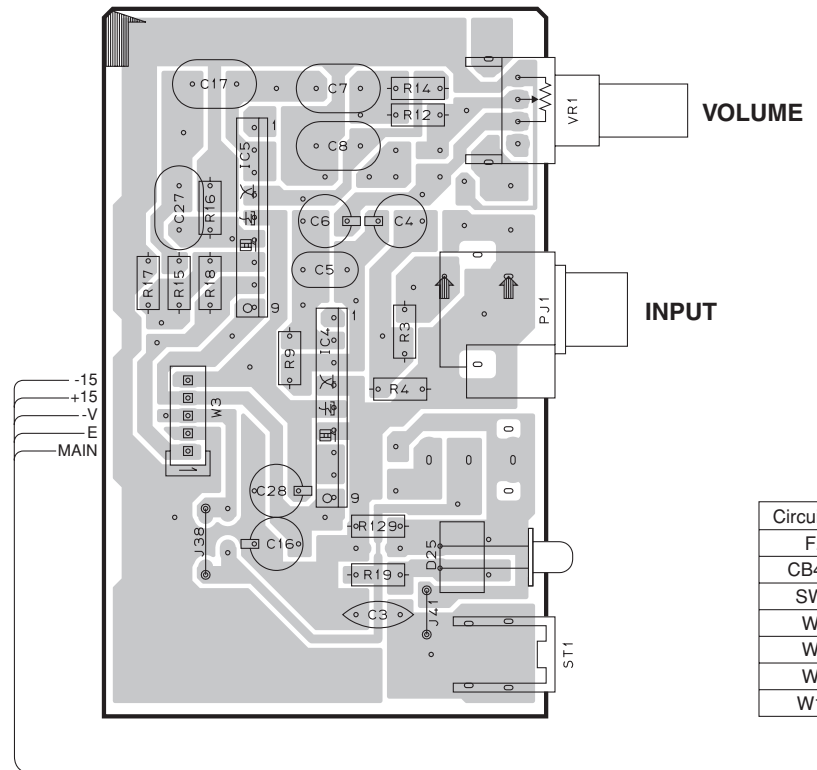


1 ■ PRINTED CIRCUIT BOARD (Foil side)

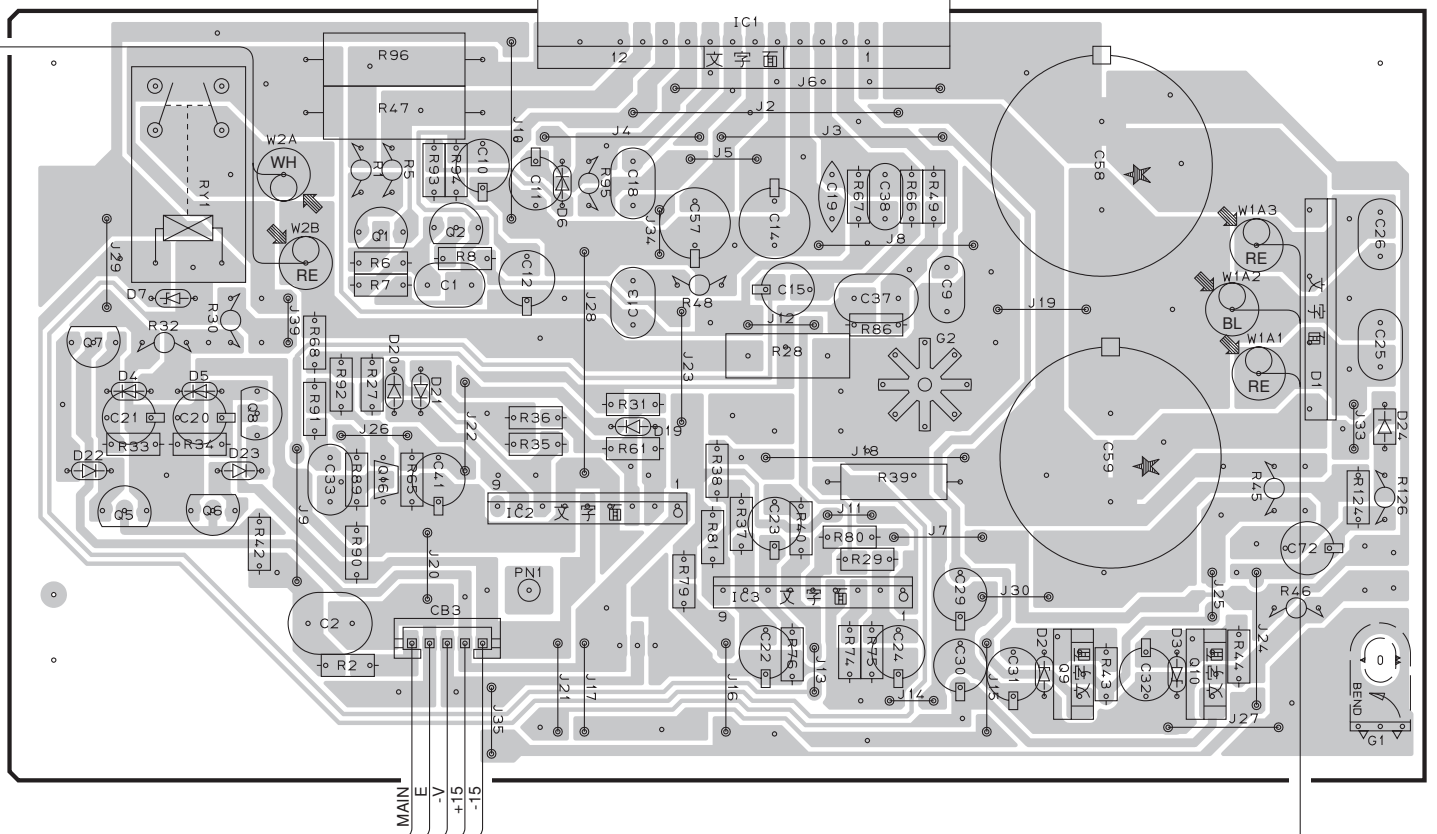
YST-SW030

MAN (1) P. C. B. (Lead Type Device)

MAN (3) P. C. B. (Lead Type Device)



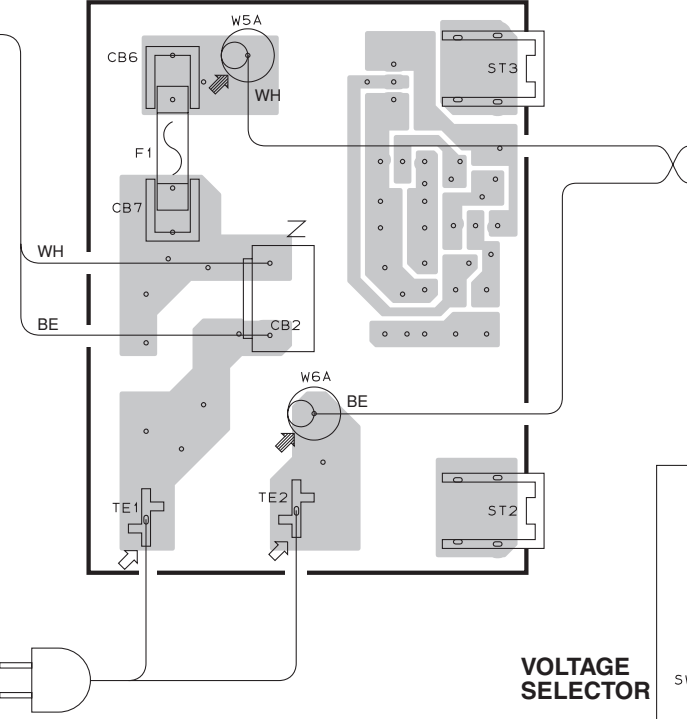
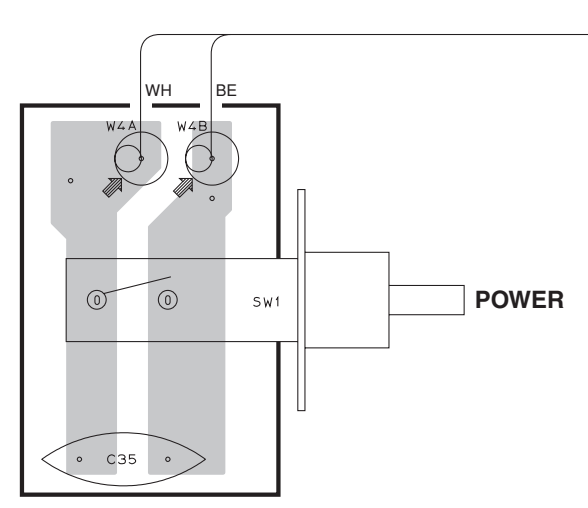
| Circuit No. | U, C, A, B, G, J | L, R, T, K |
|-------------|------------------|------------|
| F2 | X | O |
| CB4, 5 | X | O |
| SW2 | X | O |
| W7 | X | O |
| W8 | X | O |
| W9 | X | O |
| W10 | X | O |



4 MAN (2) P. C. B. (Lead Type Device)

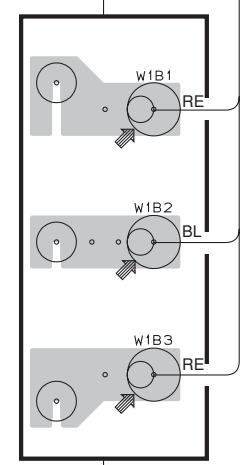
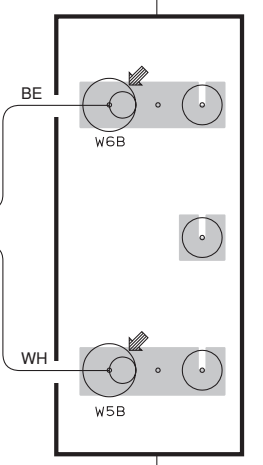
MAN (7) P. C. B. (Lead Type Device)

MAN (6) P. C. B. (Lead Type Device)



U, C, A, B, G, J models only

L, R, T, K models

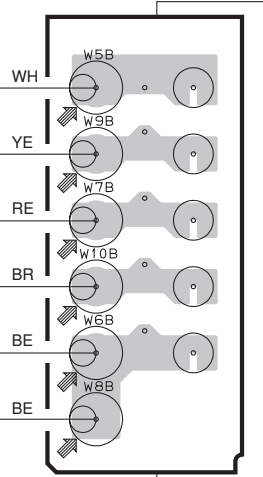
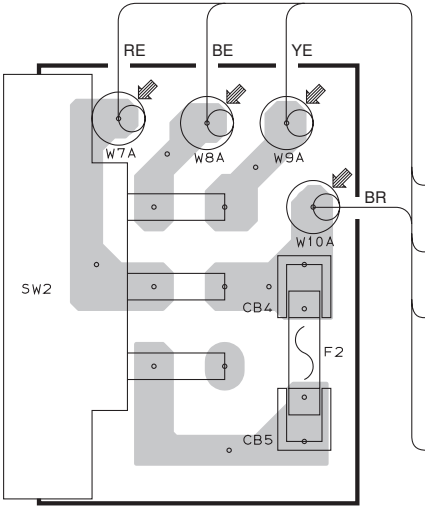


Power Transformer

6 MAN (4) P. C. B. (Lead Type Device)

L, R, T, K models only

MAN (9) P. C. B. (Lead Type Device)



Power Transformer

L, R, T, K models only

MAN (10) P. C. B. (Lead Type Device)

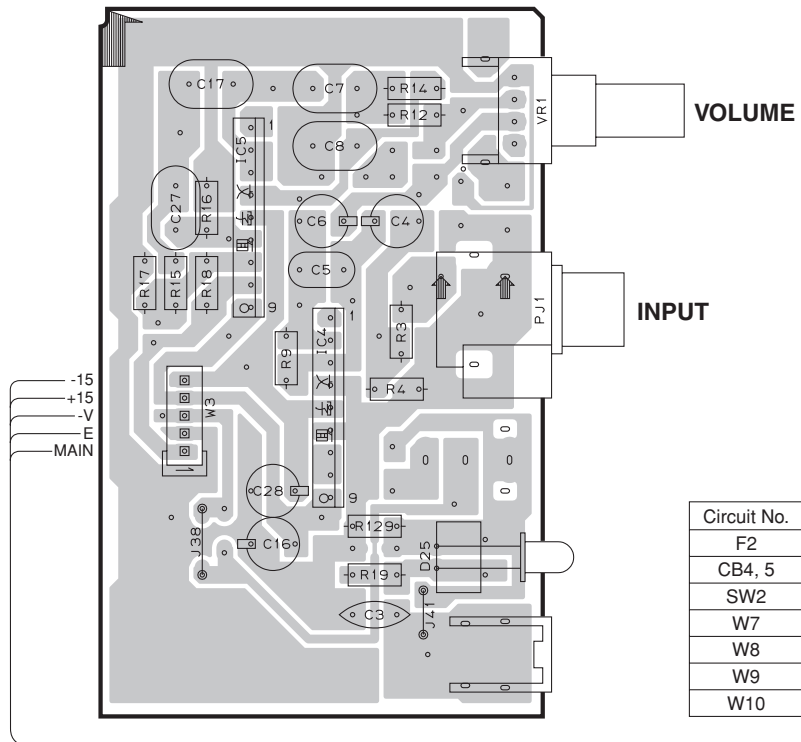
• Semiconductor Location

| Ref. no. | Location | Ref. no. | Location | Ref. no. | Location | Ref. no. | Location |
|----------|----------|----------|----------|----------|----------|----------|----------|
| D1 | I2 | D19 | G3 | IC2 | G3 | Q6 | F3 |
| D2 | H3 | D20 | F2 | IC3 | H3 | Q7 | E2 |
| D3 | I3 | D21 | F2 | IC4 | B3 | Q8 | F3 |
| D4 | E2 | D22 | E3 | IC5 | B2 | Q9 | H3 |
| D5 | F2 | D23 | F3 | Q1 | F2 | Q10 | I3 |
| D6 | G2 | D24 | J3 | Q2 | F2 | | |
| D7 | E2 | IC1 | G1 | Q5 | E3 | | |

PRINTED CIRCUIT BOARD (Foil side)

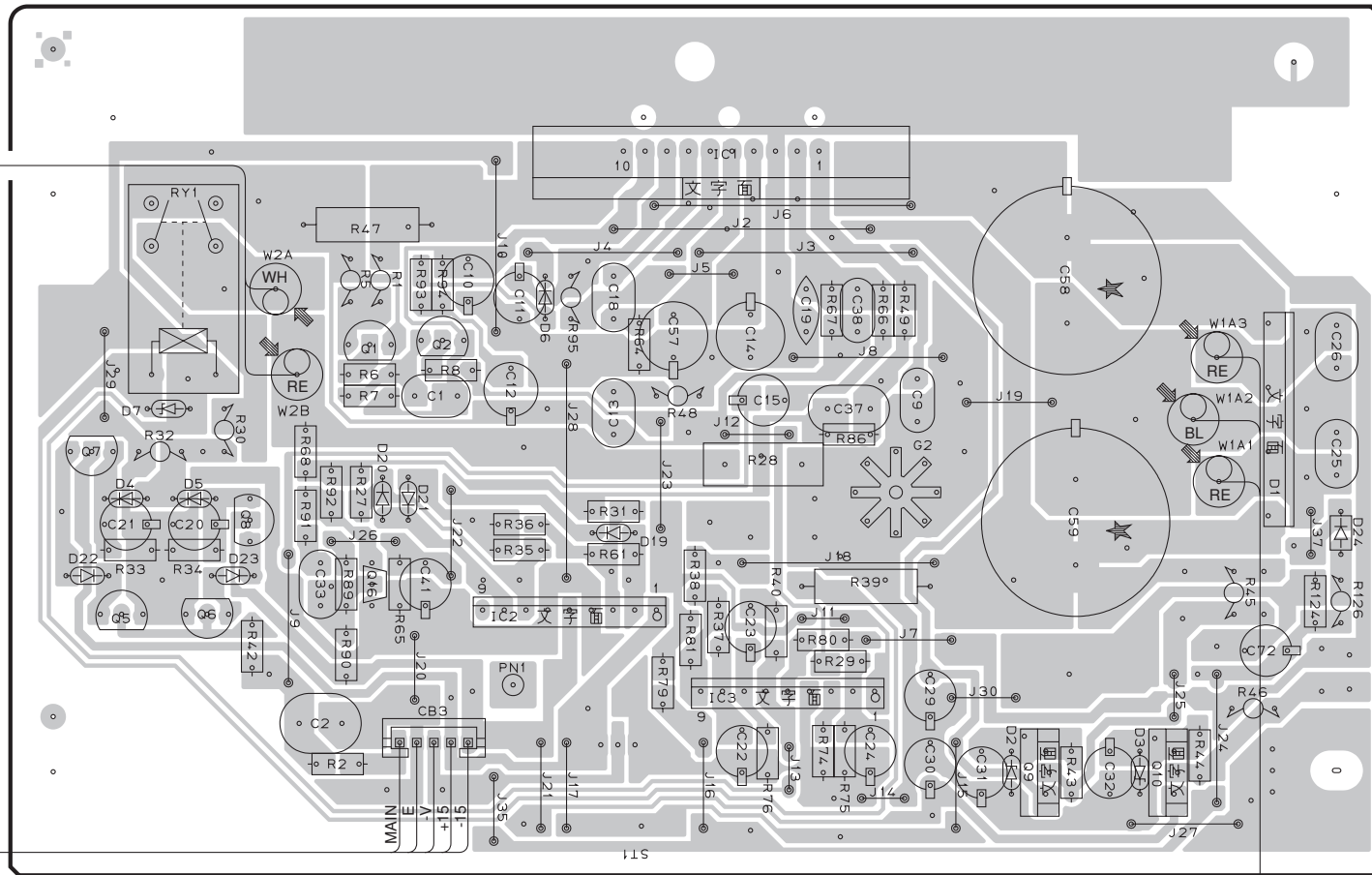
YST-SW010

MAIN (3) P. C. B. (Lead Type Device)



| Circuit No. | U, C, A, B, G, J | L, R, T, K |
|-------------|------------------|------------|
| F2 | X | O |
| CB4, 5 | X | O |
| SW2 | X | O |
| W7 | X | O |
| W8 | X | O |
| W9 | X | O |
| W10 | X | O |

MAIN (1) P. C. B. (Lead Type Device)



DRIVER

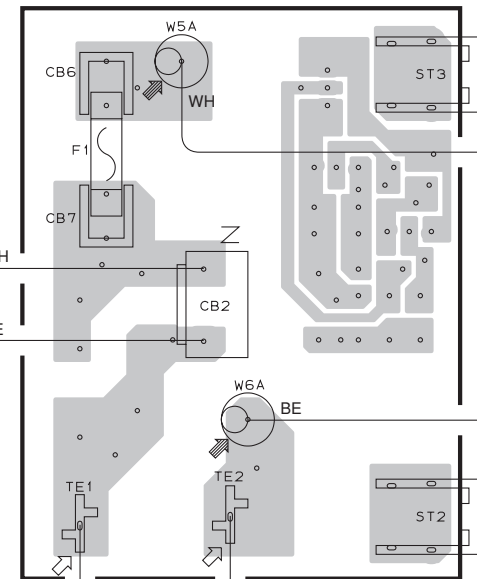
VOLUME

INPUT

Semiconductor Location

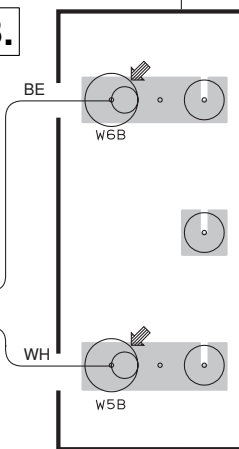
| Ref. no. | Location | Ref. no. | Location | Ref. no. | Location | Ref. no. | Location |
|----------|----------|----------|----------|----------|----------|----------|----------|
| D1 | I2 | D19 | G3 | IC2 | G3 | Q6 | F3 |
| D2 | H4 | D20 | F3 | IC3 | H3 | Q7 | E3 |
| D3 | I4 | D21 | F3 | IC4 | B3 | Q8 | F3 |
| D4 | E3 | D22 | E3 | IC5 | B2 | Q9 | I4 |
| D5 | F3 | D23 | F3 | Q1 | F2 | Q10 | I4 |
| D6 | G2 | D24 | J3 | Q2 | G2 | | |
| D7 | F2 | IC1 | G1 | Q5 | E3 | | |

MAIN (2) P. C. B. (Lead Type Device)

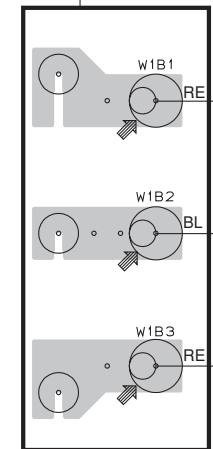


MAIN (7) P. C. B. (Lead Type Device)

U, C, A, B, G, J models only



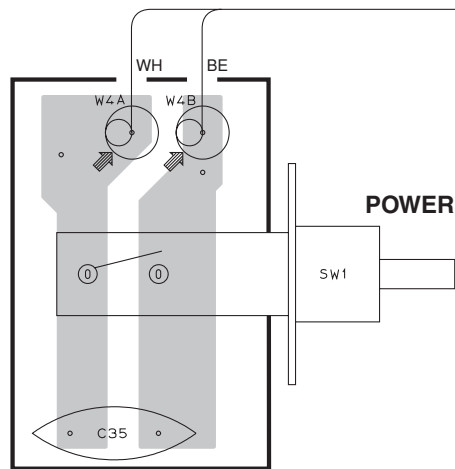
MAIN (6) P. C. B. (Lead Type Device)



Power Transformer

Power Transformer

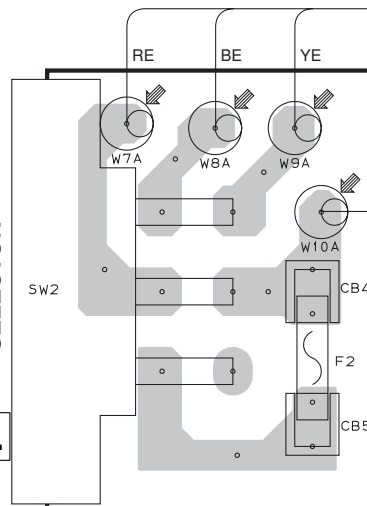
MAIN (4) P. C. B. (Lead Type Device)



VOLTAGE SELECTOR

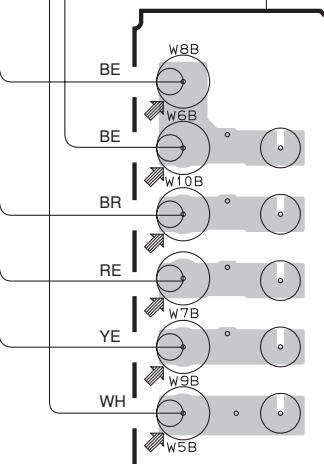
L, R, T, K models only

MAIN (9) P. C. B. (Lead Type Device)



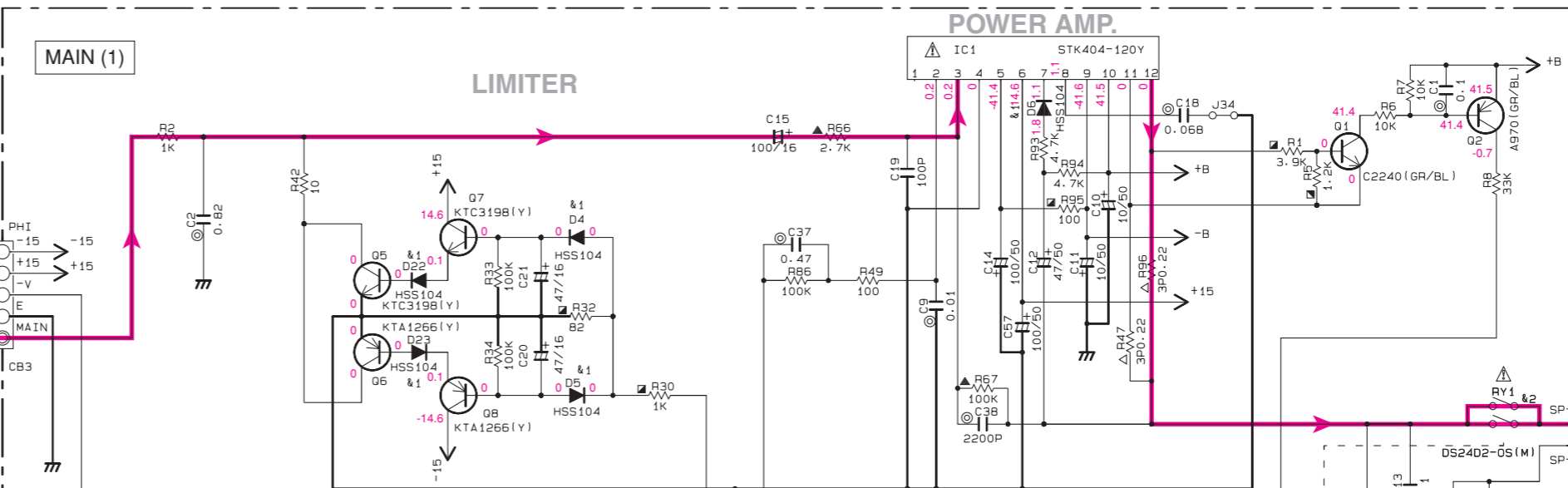
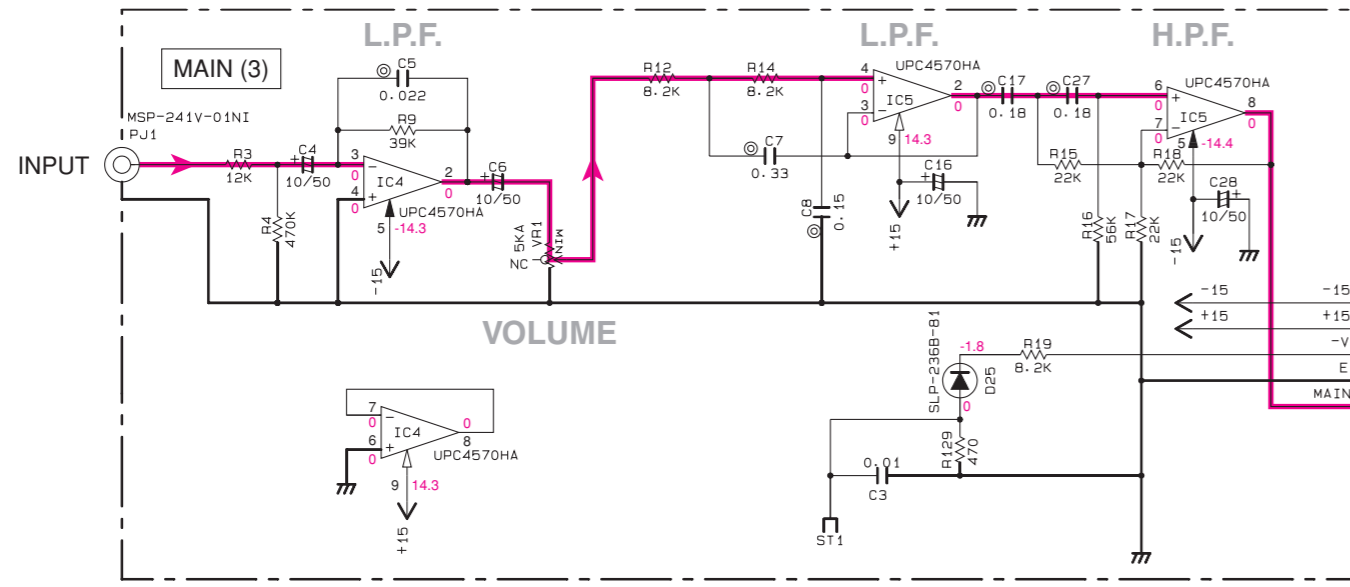
L, R, T, K models only

MAIN (10) P. C. B. (Lead Type Device)



SCHEMATIC DIAGRAM

YST-SW030



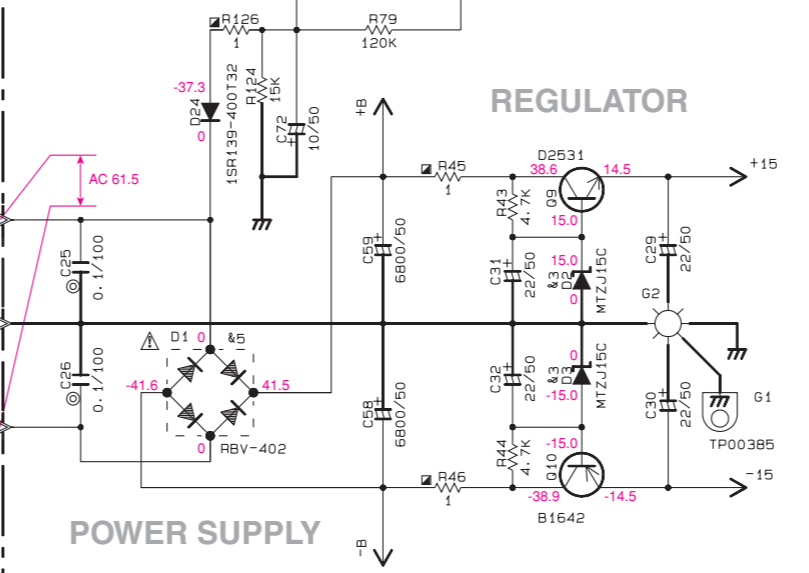
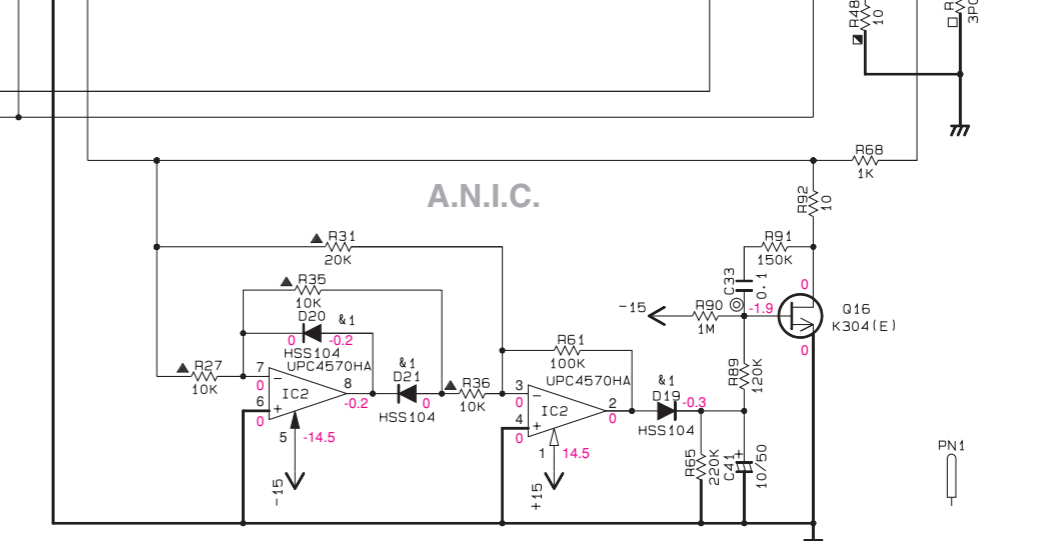
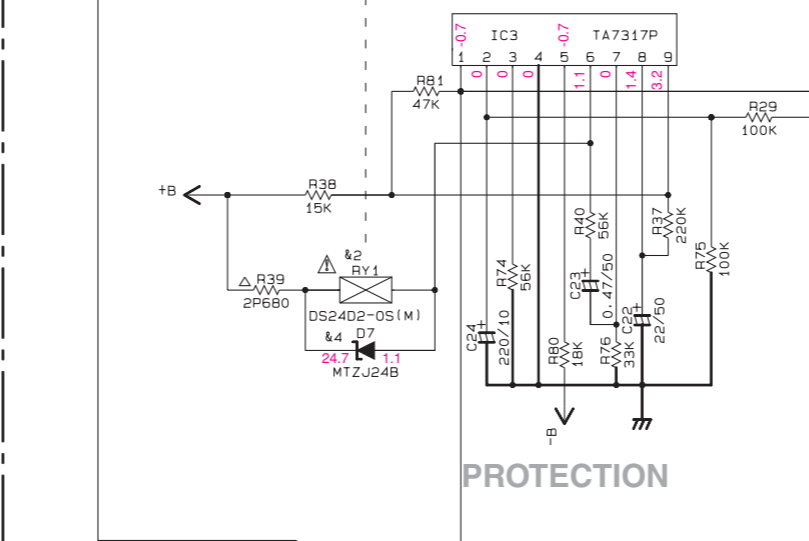
DRIVER

NOTICE (model)
 (J)..... JAPAN
 (U)..... U. S. A
 (C)..... CANADA
 (R)..... GENERAL
 (T)..... CHINA
 (K)..... KOREA
 (A)..... AUSTRALIA
 (B)..... BRITISH
 (G)..... EUROPE
 (L)..... SINGAPORE

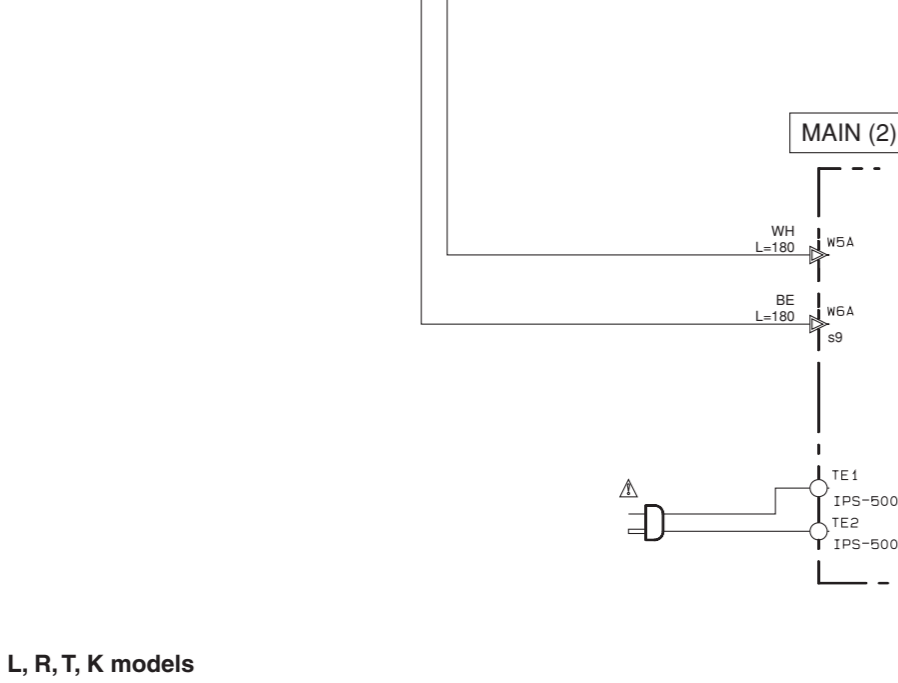
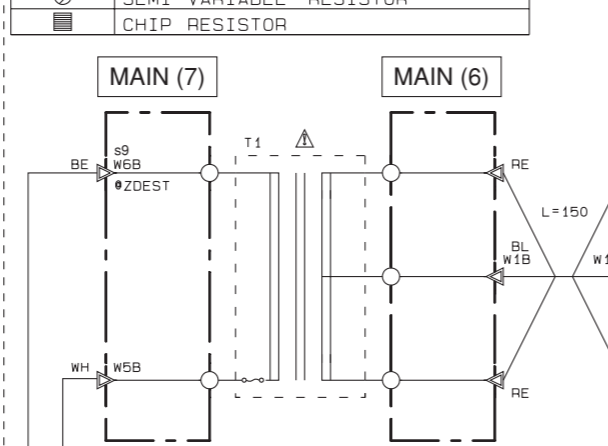
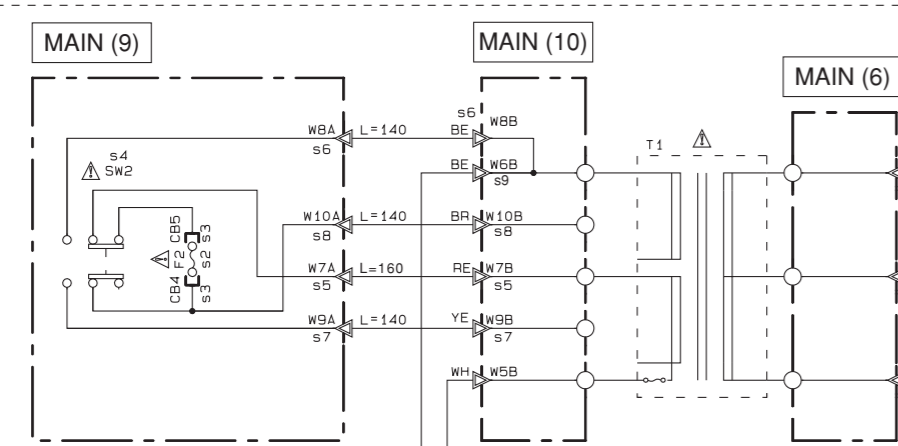
| REMARKS | PARTS NAME | |
|---------|--------------------------------------|---|
| NO MARK | ELECTROLYTIC CAPACITOR | ⊘ |
| ⊗ | TANTALUM CAPACITOR | ⊗ |
| NO MARK | CERAMIC CAPACITOR | □ |
| ⊙ | CERAMIC TUBULAR CAPACITOR | ⊙ |
| ⊖ | POLYESTER FILM CAPACITOR | ⊖ |
| ⊕ | POLYSTYRENE FILM CAPACITOR | ⊕ |
| Ⓜ | MICA CAPACITOR | Ⓜ |
| Ⓟ | POLYPROPYLENE FILM CAPACITOR | Ⓟ |
| Ⓢ | SEMICONDUCTIVE CERAMIC CAPACITOR | Ⓢ |
| Ⓣ | POLYPHENYLENE SULFIDE FILM CAPACITOR | Ⓣ |

| DESTINATION | PART NUMBER |
|-------------|-------------|
| J | X5307 |
| U. C | X5308 |
| R. T. K. L | X5309 |
| A | X5310 |
| B. G | X5311 |

| REMARKS | PARTS NAME | |
|---------|---------------------------------|---|
| NO MARK | CARBON FILM RESISTOR (P=5) | □ |
| □ | CARBON FILM RESISTOR (P=10) | □ |
| △ | METAL OXIDE FILM RESISTOR | △ |
| ⊖ | METAL FILM RESISTOR | ⊖ |
| ⊕ | METAL PLATE RESISTOR | ⊕ |
| Ⓢ | FIRE PROOF CARBON FILM RESISTOR | Ⓢ |
| Ⓣ | CEMENT MOLDED RESISTOR | Ⓣ |
| Ⓤ | SEMI VARIABLE RESISTOR | Ⓤ |
| Ⓡ | CHIP RESISTOR | Ⓡ |

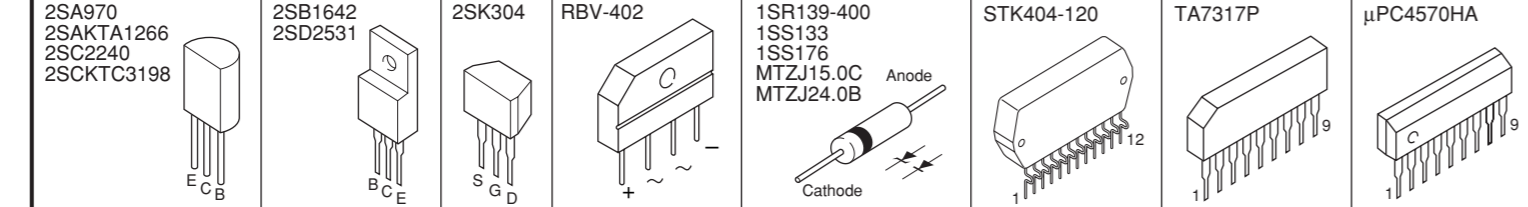


| Interchangeable Parts at Manufacture-Stage | | | | |
|--|-------------|---------|-------------|-------------|
| LOCATION | DESTINATION | J. U. C | R. T. K. L | A. B. G |
| S1 | F1 | 2A125V | 2A125V | T630MAL250V |
| S2 | F2 | X | T630MAL250V | X |
| S3 | CB4-5 | X | WC05070 | X |
| S4 | SW2 | X | WC90670 | X |
| S5 | W7 | X | MH12614 | X |
| S6 | WB | X | MH16614 | X |
| S7 | W9 | X | MH14614 | X |
| S8 | W10 | X | MH11614 | X |
| S9 | WB | MH16614 | MH1661B | MH16614 |



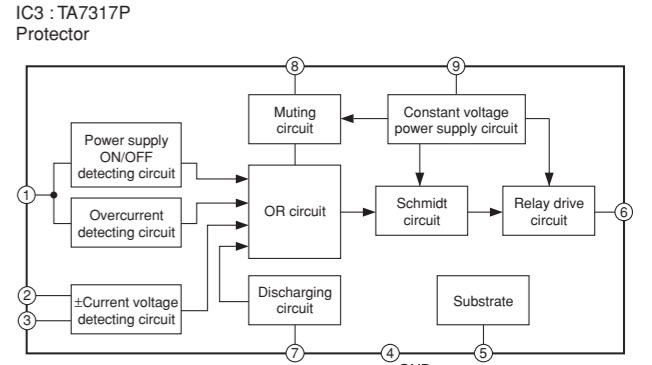
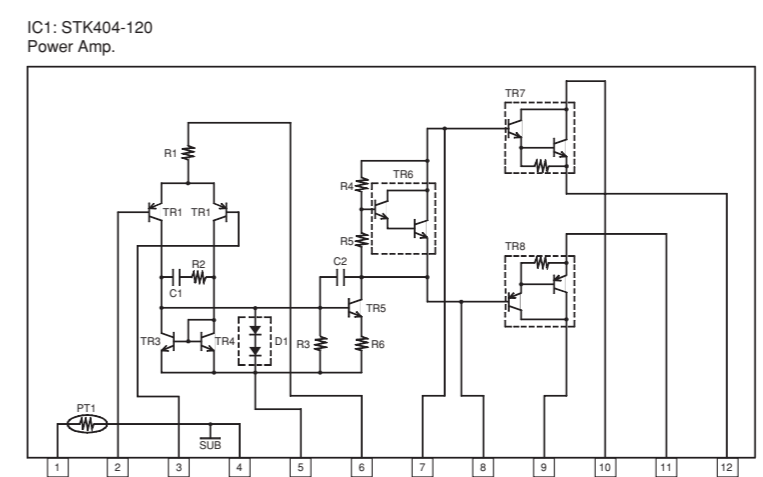
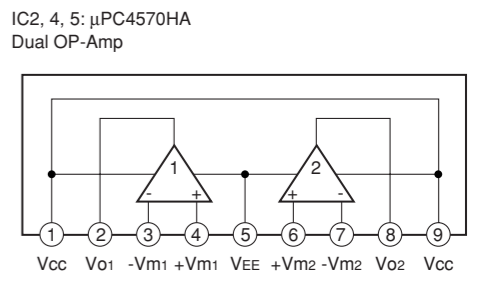
L, R, T, K models

PIN CONNECTION DIAGRAM OF TRANSISTORS, DIODES AND ICs.



| LOCATION | DESTINATION | J. U. C | R. T. K. L | A. B. G |
|----------|-------------|---------|-------------|-------------|
| S1 | F1 | 2A125V | 2A125V | T630MAL250V |
| S2 | F2 | X | T630MAL250V | X |
| S3 | CB4-5 | X | WC05070 | X |
| S4 | SW2 | X | WC90670 | X |
| S5 | W7 | X | MH12614 | X |
| S6 | WB | X | MH16614 | X |
| S7 | W9 | X | MH14614 | X |
| S8 | W10 | X | MH11614 | X |
| S9 | WB | MH16614 | MH1661B | MH16614 |

| Mark | Reference Parts Number | Parts Name |
|------|------------------------|----------------------------|
| Ⓚ1 | D4-6-19-23 | 1SS133 1SS176 HSS104 |
| Ⓚ2 | RY1 | DG2402-0S1M1 GSPA-2B |
| Ⓚ3 | D2-3 | MTZJ15C GDZJ15C |
| Ⓚ4 | D7 | MTZJ24B GDZJ24B |
| Ⓚ5 | D1 | RBV-402 D35BA20 |

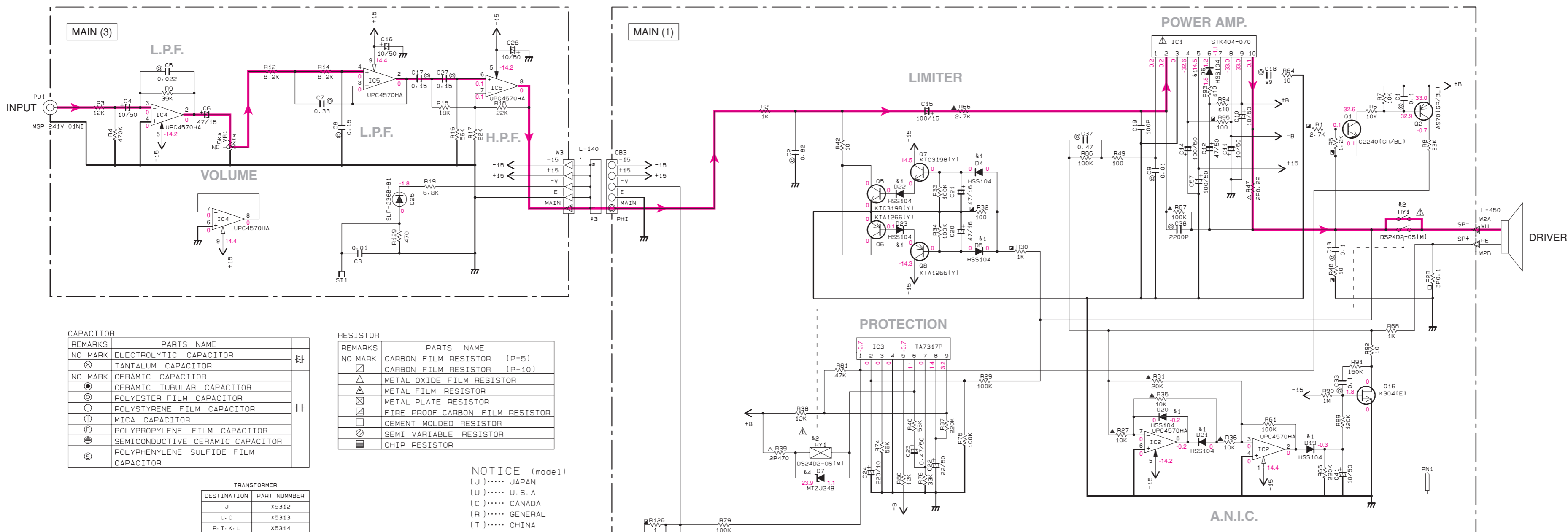


- All voltages are measured with a 10MΩV DC electronic volt meter.
- Components having special characteristics are marked with a triangle and must be replaced with parts having specifications equal to those originally installed.
- Schematic diagram is subject to change without notice.

- 電圧は、内部抵抗10MΩの電圧計で測定したものです。
- △印のある部品は、安全性確保部品を示しています。部品の交換が必要な場合、パーツリストに記載されている部品を使用してください。
- 本回路図は標準回路図です。改良のため予告なく変更することがございます。

SCHEMATIC DIAGRAM

YST-SW010

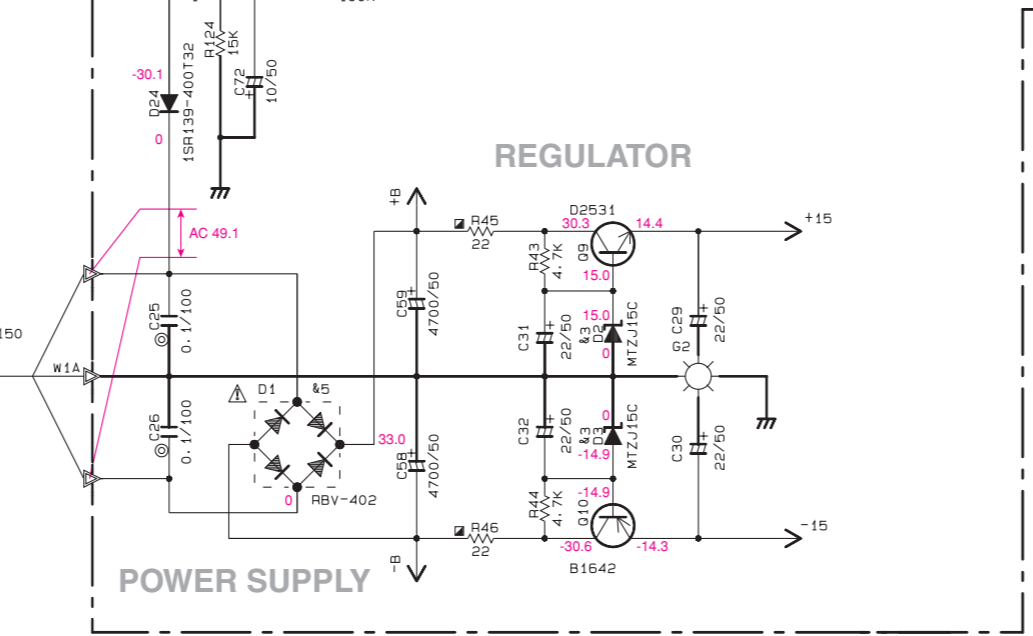


| REMARKS | PARTS NAME | |
|---------|--------------------------------------|---|
| NO MARK | ELECTROLYTIC CAPACITOR | ⊖ |
| ⊗ | TANTALUM CAPACITOR | |
| NO MARK | CERAMIC CAPACITOR | |
| ● | CERAMIC TUBULAR CAPACITOR | |
| ○ | POLYESTER FILM CAPACITOR | |
| ○ | POLYSTYRENE FILM CAPACITOR | |
| Ⓢ | MICA CAPACITOR | |
| Ⓢ | POLYPROPYLENE FILM CAPACITOR | |
| Ⓢ | SEMICONDUCTIVE CERAMIC CAPACITOR | |
| Ⓢ | POLYPHENYLENE SULFIDE FILM CAPACITOR | |

| REMARKS | PARTS NAME | |
|---------|---------------------------------|--|
| NO MARK | CARBON FILM RESISTOR (P=5) | |
| ⊠ | CARBON FILM RESISTOR (P=10) | |
| ⊠ | METAL OXIDE FILM RESISTOR | |
| ⊠ | METAL FILM RESISTOR | |
| ⊠ | METAL PLATE RESISTOR | |
| ⊠ | FIRE PROOF CARBON FILM RESISTOR | |
| ⊠ | CEMENT MOLDED RESISTOR | |
| ⊠ | SEMI VARIABLE RESISTOR | |
| ⊠ | CHIP RESISTOR | |

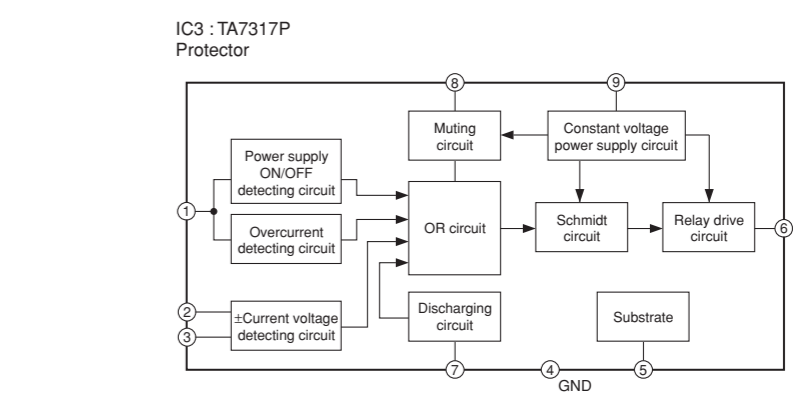
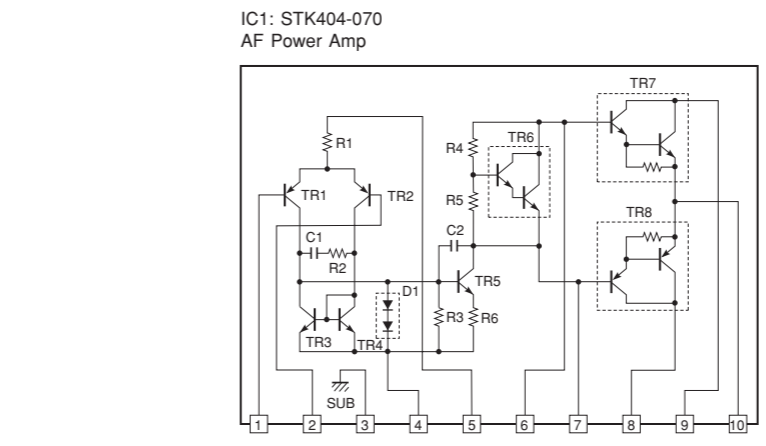
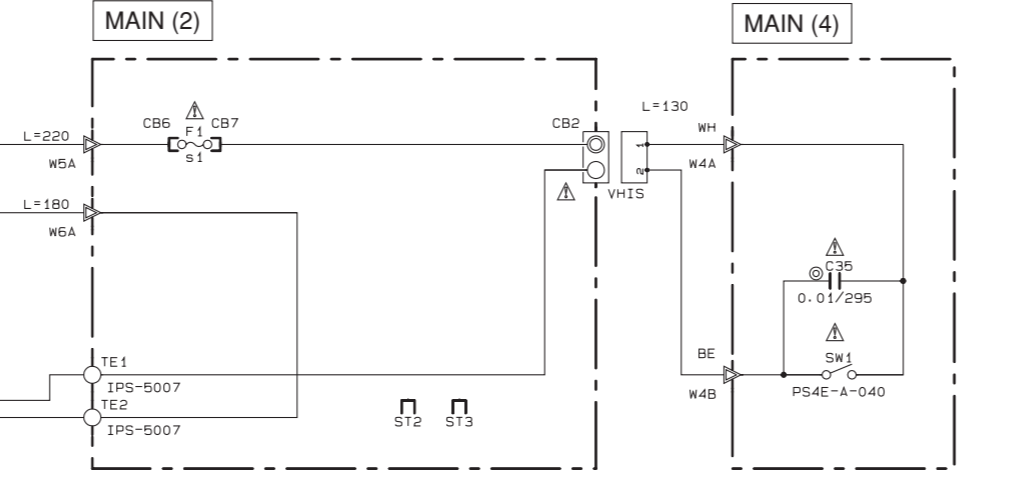
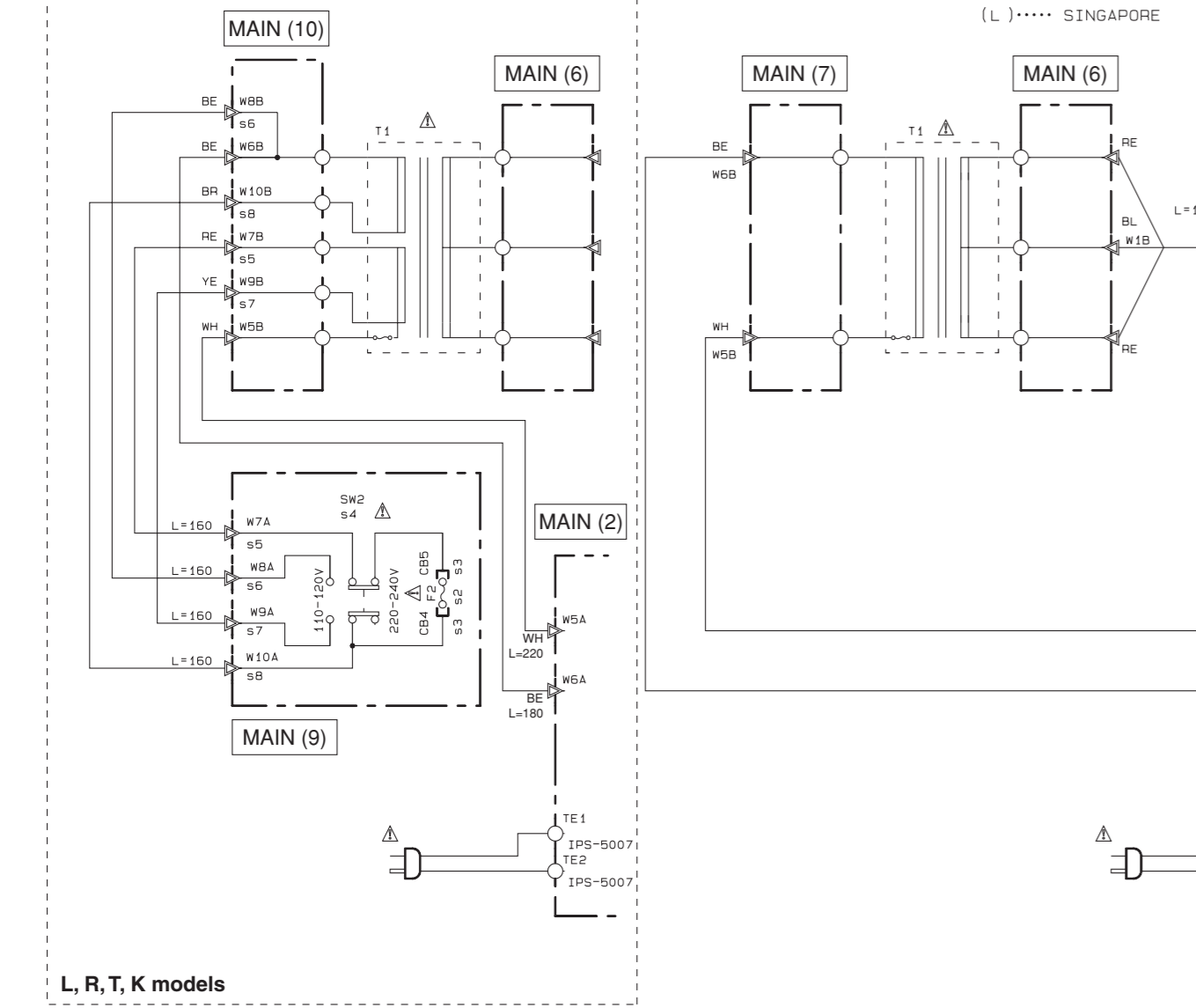
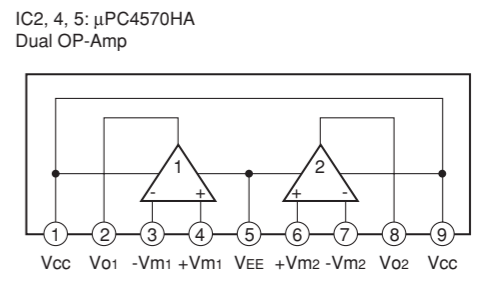
| TRANSFORMER | |
|-------------|-------------|
| DESTINATION | PART NUMBER |
| J | X5312 |
| U. C | X5313 |
| R. T. K. L | X5314 |
| A | X5315 |
| B. G | X5316 |

NOTICE (model)
 (J)..... JAPAN
 (U)..... U. S. A
 (C)..... CANADA
 (R)..... GENERAL
 (T)..... CHINA
 (K)..... KOREA
 (A)..... AUSTRALIA
 (B)..... BRITISH
 (G)..... EUROPE
 (L)..... SINGAPORE

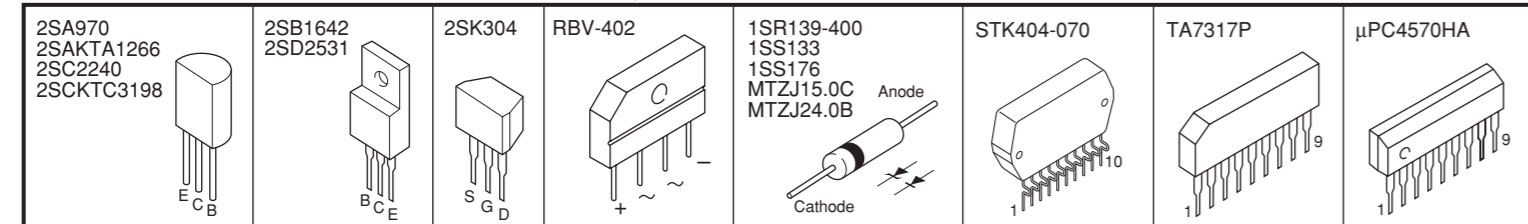


| LOCATION | DESTINATION | | |
|----------|-------------|------------|----------------------|
| | J. U. C | R. T. K. L | A. B. G |
| s1 | F1 | 1-6A125V | 1-6A125V T400MAL250V |
| s2 | F2 | X | T400MAL250V X |
| s3 | CB4, 5 | X | WC05070 X |
| s4 | SW2 | X | WC90670 X |
| s5 | W7 | X | MH12616 X |
| s6 | WB | X | MH16616 X |
| s7 | WS | X | MH14616 X |
| s8 | W10 | X | MH11616 X |
| s9 | C18 | 0.068/50 | 0.033/50 0.068/50 |
| s10 | R93, 94 | 4.7k | 10.0k 4.7k |

| Interchangeable Parts at Manufacture-Stage | | |
|--|------------------------|----------------------------|
| Mark | Reference Parts Number | Parts Name |
| s1 | D4-6, 19-23 | 1S5133 1S5176 HSS104 |
| s2 | Ry1 | DG2402-0S1M1 05PA-2B |
| s3 | D2, 3 | MTZJ15C GDZJ15C |
| s4 | D7 | MTZJ24B GDZJ24B |
| s5 | D1 | RBV-402 D3SBA20 |



PIN CONNECTION DIAGRAM OF TRANSISTORS, DIODES AND ICs.





★ All voltages are measured with a 10M Ω DC electronic volt meter.
 ★ Components having special characteristics are marked Δ , and must be replaced with parts having specifications equal to those originally installed.
 ★ Schematic diagram is subject to change without notice.

★ 電圧は、内部抵抗10M Ω の電圧計で測定したものです。
 ★ Δ 印のある部品は、安全性確保部品を示しています。部品の交換が必要な場合、パーツリストに記載されている部品を使用してください。
 ★ 本回路図は標準回路図です。改良のため予告なく変更することがございます。

PARTS LIST

■ ELECTRICAL PARTS

■ WARNING

- Components having special characteristics are marked  and must be replaced with parts having specifications equal to those originally installed.
- Carbon resistors (1/6W or 1/4W) are not included in the ELECTRICAL PARTS List. For the parts No. of the carbon resistors, refer to last page.
- 印のある部分は、安全確保部品を示しています。部品の交換が必要な場合、パーツリストに記載されている部品を使用してください。
- 本機に使用しているカーボン抵抗は1/6Wまたは1/4Wです。このパーツリストには、記載しておりませんので、部品番号がHF450000タイプまたは同等品を使用してください。
- 部品価格ランクは、予告なく変更することがあります。

ABBREVIATIONS IN THIS LIST ARE AS FOLLOWS:

| | | | |
|------------|-------------------------------|------------|--------------------------------|
| C.A.EL.CHP | : CHIP ALUMI.ELECTROLYTIC CAP | L.EMIT | : LIGHT EMITTING MODULE |
| C.CE | : CERAMIC CAP | LED.DSPLY | : LED DISPLAY |
| C.CE.ARRAY | : CERAMIC CAP ARRAY | LED.INFRD | : LED,INFRARED |
| C.CE.CHP | : CHIP CERAMIC CAP | MODUL.RF | : MODULATOR,RF |
| C.CE.ML | : MULTILAYER CERAMIC CAP | PHOT.CPL | : PHOTO COUPLER |
| C.CE.M.CHP | : CHIP MULTILAYER CERAMIC CAP | PHOT.INTR | : PHOTO INTERRUPTER |
| C.CE.SAFTY | : RECOGNIZED CERAMIC CAP | PHOT.RFLCT | : PHOTO REFLECTOR |
| C.CE.TUBLR | : CERAMIC TUBULAR CAP | PIN.TEST | : PIN,TEST POINT |
| C.CE.SMI | : SEMI CONDUCTIVE CERAMIC CAP | PLST.RIVET | : PLASTIC RIVET |
| C.EL | : ELECTROLYTIC CAP | R.ARRAY | : RESISTOR ARRAY |
| C.MICA | : MICA CAP | R.CAR. | : CARBON RESISTOR |
| C.ML.FLM | : MULTILAYER FILM CAP | R.CAR.CHP | : CHIP RESISTOR |
| C.MP | : METALLIZED PAPER CAP | R.CAR.FP | : FLAME PROOF CARBON RESISTOR |
| C.MYLAR | : MYLAR FILM CAP | R.FUS | : FUSABLE RESISTOR |
| C.MYLAR.ML | : MULTILAYER MYLAR FILM CAP | R.MTL.CHP | : CHIP METAL FILM RESISTOR |
| C.PAPER | : PAPER CAPACITOR | R.MTL.FLM | : METAL FILM RESISTOR |
| C.PLS | : POLYSTYRENE FILM CAP | R.MTL.OXD | : METAL OXIDE FILM RESISTOR |
| C.POL | : POLYESTER FILM CAP | R.MTL.PLAT | : METAL PLATE RESISTOR |
| C.POLY | : POLYETHYLENE FILM CAP | RSNR.CE | : CERAMIC RESONATOR |
| C.PP | : POLYPROPYLENE FILM CAP | RSNR.CRYS | : CRYSTAL RESONATOR |
| C.TNTL | : TANTALUM CAP | R.TW.CEM | : TWIN CEMENT FIXED RESISTOR |
| C.TNTL.CHP | : CHIP TANTALUM CAP | R.WW | : WIRE WOUND RESISTOR |
| C.TRIM | : TRIMMER CAP | SCR.BND.HD | : BIND HEAD B-TITE SCREW |
| CN | : CONNECTOR | SCR.BW.HD | : BW HEAD TAPPING SCREW |
| CN.BS.PIN | : CONNECTOR,BASE PIN | SCR.CUP | : CUP TITE SCREW |
| CN.CANNON | : CONNECTOR,CANNON | SCR.TERM | : SCREW TERMINAL |
| CN.DIN | : CONNECTOR,DIN | SCR.TR | : SCREW,TRANSISTOR |
| CN.FLAT | : CONNECTOR,FLAT CABLE | SUPRT.PCB | : SUPPORT,P.C.B. |
| CN.POST | : CONNECTOR,BASE POST | SURG.PRTCT | : SURGE PROTECTOR |
| COIL.MX.AM | : COIL,AM MIX | SW.TACT | : TACT SWITCH |
| COIL.AT.FM | : COIL,FM ANTENNA | SW.LEAF | : LEAF SWITCH |
| COIL.DT.FM | : COIL,FM DETECT | SW.LEVER | : LEVER SWITCH |
| COIL.MX.FM | : COIL,FM MIX | SW.MICRO | : MICRO SWITCH |
| COIL.OUTPT | : OUTPUT COIL | SW.PUSH | : PUSH SWITCH |
| DIOD.ARRAY | : DIODE ARRAY | SW.RT.ENC | : ROTARY ENCODER |
| DIODE.BRG | : DIODE BRIDGE | SW.RT.MTR | : ROTARY SWITCH WITH MOTOR |
| DIODE.CHP | : CHIP DIODE | SW.RT | : ROTARY SWITCH |
| DIODE.VAR | : VARACTOR DIODE | SW.SLIDE | : SLIDE SWITCH |
| DIOD.Z.CHP | : CHIP ZENER DIODE | TERM.SP | : SPEAKER TERMINAL |
| DIODE.ZENR | : ZENER DIODE | TERM.WRAP | : WRAPPING TERMINAL |
| DSCR.CE | : CERAMIC DISCRIMINATOR | THRMST.CHP | : CHIP THERMISTOR |
| FER.BEAD | : FERRITE BEADS | TR.CHP | : CHIP TRANSISTOR |
| FER.CORE | : FERRITE CORE | TR.DGT | : DIGITAL TRANSISTOR |
| FET.CHP | : CHIP FET | TR.DGT.CHP | : CHIP DIGITAL TRANSISTOR |
| FL.DSPLY | : FLUORESCENT DISPLAY | TRANS | : TRANSFORMER |
| FLTR.GE | : CERAMIC FILTER | TRANS.PULS | : PULSE TRANSFORMER |
| FLTR.COMB | : COMB FILTER MODULE | TRANS.PWR | : POWER TRANSFORMER ASS'Y |
| FLTR.LC.RF | : LC FILTER,EMI | TUNER.AM | : TUNER PACK,AM |
| GND.MTL | : GROUND PLATE | TUNER.FM | : TUNER PACK,FM |
| GND.TERM | : GROUND TERMINAL | TUNER.PK | : FRONT-ENDTUNER PACK |
| HOLDER.FUS | : FUSE HOLDER | VR | : ROTARY POTENTIOMETER |
| IC.PRTCT | : IC PROTECTOR | VR.MTR | : POTENTIOMETER WITH MOTOR |
| JUMPER.CN | : JUMPER CONNECTOR | VR.SW | : POTENTIOMETER WITH ROTARY SW |
| JUMPER.TST | : JUMPER,TEST POINT | VR.SLIDE | : SLIDE POTENTIOMETER |
| L.DTCT | : LIGHT DETECTING MODULE | VR.TRIM | : TRIMMER POTENTIOMETER |

Note) Those parts marked with “#” are not included in the P.C.B. ass'y.

YST-SW030
P.C.B. MAIN

| Schm Ref. | PART NO. | Description | Remarks | Markets | 部 品 名 | Rank | |
|-----------|----------|-------------|--------------|-----------------|-------|-----------|----|
| * | WC740200 | P. C. B. | MAIN | | JUC | P C B メイン | |
| * | WC740300 | P. C. B. | MAIN | | RTKL | P C B メイン | |
| * | WC740400 | P. C. B. | MAIN | | ABG | P C B メイン | |
| △ | CB2 | VG879900 | CN. BS. PIN | 2P | | ベースピン | 01 |
| | CB3 | VB390100 | CN. BS. PIN | 5P | | ベースピン | 01 |
| | CB4 | WC050700 | HOLDER. FUS | EYF52BCY | RTKL | ヒューズホルダー | 01 |
| | CB5 | WC050700 | HOLDER. FUS | EYF52BCY | RTKL | ヒューズホルダー | 01 |
| | CB6 | WC050700 | HOLDER. FUS | EYF52BCY | | ヒューズホルダー | 01 |
| | CB7 | WC050700 | HOLDER. FUS | EYF52BCY | | ヒューズホルダー | 01 |
| | C1 | VE326000 | C. MYLAR. ML | 0.1uF 50V | | 積層マイラーコン | 01 |
| | C2 | VE327100 | C. MYLAR. ML | 0.82uF 50V | | 積層マイラーコン | 02 |
| | C3 | FG644100 | C. CE | 0.01uF 50V | | セラコン | 01 |
| | C4 | UR867100 | C. EL | 10uF 50V | | ケミコン | 01 |
| | C5 | UA654220 | C. MYLAR | 0.022uF 50V | | マイラーコン | 01 |
| | C6 | UR867100 | C. EL | 10uF 50V | | ケミコン | 01 |
| | C7 | VE326600 | C. MYLAR. ML | 0.33uF 50V | | 積層マイラーコン | 01 |
| | C8 | VE326200 | C. MYLAR. ML | 0.15uF 50V | | 積層マイラーコン | |
| | C9 | UA654100 | C. MYLAR | 0.01uF 50V | | マイラーコン | 01 |
| | C10 | UR867100 | C. EL | 10uF 50V | | ケミコン | 01 |
| | C11 | UR867100 | C. EL | 10uF 50V | | ケミコン | 01 |
| | C12 | UR867470 | C. EL | 47uF 50V | | ケミコン | 01 |
| | C13 | VE326000 | C. MYLAR. ML | 0.1uF 50V | | 積層マイラーコン | 01 |
| | C14 | UR868100 | C. EL | 100uF 50V | | ケミコン | 01 |
| | C15 | UR838100 | C. EL | 100uF 16V | | ケミコン | 01 |
| | C16 | UR867100 | C. EL | 10uF 50V | | ケミコン | 01 |
| | C17 | VE326300 | C. MYLAR. ML | 0.18uF 50V | | 積層マイラーコン | 01 |
| | C18 | UA654680 | C. MYLAR | 0.068uF 50V | | マイラーコン | 01 |
| | C19 | FG652100 | C. CE | 100pF 50V | | セラコン | 01 |
| | C20 | UR837470 | C. EL | 47uF 16V | | ケミコン | 01 |
| | C21 | UR837470 | C. EL | 47uF 16V | | ケミコン | 01 |
| | C22 | UR867220 | C. EL | 22uF 50V | | ケミコン | 01 |
| | C23 | UR865470 | C. EL | 0.47uF 50V | | ケミコン | 01 |
| | C24 | UR828220 | C. EL | 220uF 10V | | ケミコン | 01 |
| | C25 | VT898000 | C. MYLAR | 0.1uF 100V | | マイラーコン | 01 |
| | C26 | VT898000 | C. MYLAR | 0.1uF 100V | | マイラーコン | 01 |
| | C27 | VE326300 | C. MYLAR. ML | 0.18uF 50V | | 積層マイラーコン | 01 |
| | C28 | UR867100 | C. EL | 10uF 50V | | ケミコン | 01 |
| | C29 | UR867220 | C. EL | 22uF 50V | | ケミコン | 01 |
| | C30 | UR867220 | C. EL | 22uF 50V | | ケミコン | 01 |
| | C31 | UR867220 | C. EL | 22uF 50V | | ケミコン | 01 |
| | C32 | UR867220 | C. EL | 22uF 50V | | ケミコン | 01 |
| | C33 | VE326000 | C. MYLAR. ML | 0.1uF 50V | | 積層マイラーコン | 01 |
| △ | C35 | WB121400 | C. CE. SAFTY | 0.01uF 295V | | 規格認定コン | |
| | C37 | VE326800 | C. MYLAR. ML | 0.47uF 50V | | 積層マイラーコン | 01 |
| | C38 | UA653220 | C. MYLAR | 2200pF 50V | | マイラーコン | 01 |
| | C41 | UR867100 | C. EL | 10uF 50V | | ケミコン | |
| | C57 | UR868100 | C. EL | 100uF 50V | | ケミコン | 01 |
| | C58 | V3757300 | C. EL | 6800uF 50V | | ケミコン | 06 |
| | C59 | V3757300 | C. EL | 6800uF 50V | | ケミコン | 06 |
| | C72 | UR867100 | C. EL | 10uF 50V | | ケミコン | 01 |
| △ | D1 | VC971500 | D10DE. BRG | RBV-402 4A 200V | | ダイオード | 03 |
| | D2 | VG440900 | D10DE. ZENR | MTZJ15C 15V | | ツェナーダイオード | 01 |
| | D3 | VG440900 | D10DE. ZENR | MTZJ15C 15V | | ツェナーダイオード | 01 |

* New Parts * 新規部品(マーク#の部品は、基板に含まれません)

YST-SW030/
YST-SW010

YST-SW030

P.C.B. MAIN

| Schm Ref. | PART NO. | Description | Remarks | Markets | 部 品 名 | Rank |
|-----------|----------|-------------|-----------------|---------|---------------|------|
| D4 | VD631600 | D10DE | 1SS133, 176 | | ダイオード | 01 |
| D5 | VD631600 | D10DE | 1SS133, 176 | | ダイオード | 01 |
| D6 | VD631600 | D10DE | 1SS133, 176 | | ダイオード | 01 |
| D7 | VG442500 | D10DE. ZENR | MTZJ24B 24V | | ツェナーダイオード | 01 |
| D19 | VD631600 | D10DE | 1SS133, 176 | | ダイオード | 01 |
| D20 | VD631600 | D10DE | 1SS133, 176 | | ダイオード | 01 |
| D21 | VD631600 | D10DE | 1SS133, 176 | | ダイオード | 01 |
| D22 | VD631600 | D10DE | 1SS133, 176 | | ダイオード | 01 |
| D23 | VD631600 | D10DE | 1SS133, 176 | | ダイオード | 01 |
| D24 | VU264100 | D10DE | 1SR139-400 | | ダイオード | 01 |
| * D25 | WB884500 | LED | SLP-236B-81 | | L E D | |
| * △ F1 | WC804700 | FUSE | 2A 125V | JUCRKL | ヒューズ1 2 5 V | |
| * △ F1 | VV335300 | FUSE | 0.63A 250V | ABG | ヒューズ2 5 0 V | |
| * F2 | VV335300 | FUSE | 0.63A 250V | RTKL | ヒューズ2 5 0 V | |
| G2 | V5995800 | PLATE. GND | | | アースプレート | |
| △ IC1 | X3830A00 | IC | STK404-120 120W | | アンプ I C S I P | |
| IC2 | XB247A00 | IC | uPC4570HA | | I C | 02 |
| IC3 | X3369A00 | IC | TA7317P | | I C | 04 |
| IC4 | XB247A00 | IC | uPC4570HA | | I C | 02 |
| IC5 | XB247A00 | IC | uPC4570HA | | I C | 02 |
| * PJ1 | WC871000 | JACK. PIN | MSP-241V-01N1 | | ピンジャック 1 P | |
| PN1 | WB213200 | PIN | L=70 WB21320 | | スタイルピン | |
| Q1 | iC224030 | TR | 2SC2240 GR, BL | | トランジスタ | 01 |
| Q2 | iA097030 | TR | 2SA970 GR, BL | | トランジスタ | 01 |
| * Q5 | WB228800 | TR | 2SCKTC3198 Y-AT | | トランジスタ | |
| * Q6 | WB228700 | TR | 2SAKTA1266 Y-AT | | トランジスタ | |
| * Q7 | WB228800 | TR | 2SCKTC3198 Y-AT | | トランジスタ | |
| * Q8 | WB228700 | TR | 2SAKTA1266 Y-AT | | トランジスタ | |
| Q9 | V6896700 | TR | 2SD2531 | | トランジスタ | 03 |
| Q10 | V6896500 | TR | 2SB1642 | | トランジスタ | 04 |
| Q16 | V3028000 | FET | 2SK304 E | | F E T | 01 |
| R1 | HV756390 | R. CAR. FP | 3.9K Ω 1/4W | | 不燃化カーボン抵抗 | 01 |
| R5 | HV756120 | R. CAR. FP | 1.2K Ω 1/4W | | 不燃化カーボン抵抗 | 01 |
| * R27 | WC798300 | R. MTL. FLM | 10K Ω 1/4W | | 金属被膜抵抗 | |
| R28 | V6022600 | R. WW | 0.1 Ω 3W | | セメント抵抗 | |
| R30 | HV756100 | R. CAR. FP | 1K Ω 1/4W | | 不燃化カーボン抵抗 | 01 |
| * R31 | WC799000 | R. MTL. FLM | 20K Ω 1/4W | | 金属被膜抵抗 | |
| R32 | HV754820 | R. CAR. FP | 82 Ω 1/4W | | 不燃化カーボン抵抗 | 01 |
| * R35 | WC798300 | R. MTL. FLM | 10K Ω 1/4W | | 金属被膜抵抗 | |
| * R36 | WC798300 | R. MTL. FLM | 10K Ω 1/4W | | 金属被膜抵抗 | |
| R39 | VC761000 | R. MTL. OXD | 680 Ω 2W | | 酸化金属被膜抵抗 | 01 |
| R45 | HV753100 | R. CAR. FP | 1 Ω 1/4W | | 不燃化カーボン抵抗 | 01 |
| R46 | HV753100 | R. CAR. FP | 1 Ω 1/4W | | 不燃化カーボン抵抗 | 01 |
| R47 | VD952400 | R. MTL. OXD | 0.22 Ω 3W | | 酸化金属被膜抵抗 | 01 |
| R48 | HV754100 | R. CAR. FP | 10 Ω 1/4W | | 不燃化カーボン抵抗 | 01 |
| * R66 | WC796900 | R. MTL. FLM | 2.7K Ω 1/4W | | 金属被膜抵抗 | |
| * R67 | WC800700 | R. MTL. FLM | 100K Ω 1/4W | | 金属被膜抵抗 | |
| R95 | HV755100 | R. CAR. FP | 100 Ω 1/4W | | 不燃化カーボン抵抗 | 01 |
| R96 | VD952400 | R. MTL. OXD | 0.22 Ω 3W | | 酸化金属被膜抵抗 | 01 |
| R126 | HV753100 | R. CAR. FP | 1 Ω 1/4W | | 不燃化カーボン抵抗 | 01 |
| △ RY1 | V5966300 | RELAY | DS24D2-0S(M) | | リレー 2 4 V | 05 |
| ST1 | WA789600 | SCR. TERM | M3 | | スクリューターミナル | |
| ST2 | WA789600 | SCR. TERM | M3 | | スクリューターミナル | |

* New Parts * 新規部品(マーク#の部品は、基板に含まれません)

YST-SW030

YST-SW010

P.C.B. MAIN

| Schm Ref. | PART NO. | Description | Remarks | Markets | 部 品 名 | Rank |
|-----------|--------------|--------------|--------------------|---------|------------|------|
| * △ | ST3 WA789600 | SCR. TERM | M3 | | スクリューターミナル | |
| * △ | SW1 WD018300 | SW. PUSH | PS4E-A-040 U. C. S | | プッシュSW | |
| * △ | SW2 WC906700 | SW. SLIDE | SDKPA40300 | RTKL | スライドSW | |
| | TE1 VT658100 | TERM. WRAP | 352-TX119 | | ラッピング端子 | 01 |
| | TE2 VT658100 | TERM. WRAP | 352-TX119 | | ラッピング端子 | 01 |
| * | VR1 WC595500 | VR | A 5KΩ | | ロータリーVR | |
| * | WD192100 | CUSHION | | | クッション | |
| * | WC785400 | P. C. B. | MAIN | JUC | P C B メイン | |
| * | WC785500 | P. C. B. | MAIN | RTKL | P C B メイン | |
| * | WC785600 | P. C. B. | MAIN | ABG | P C B メイン | |
| △ | CB2 VG879900 | CN. BS. PIN | 2P | | ベースピン | 01 |
| | CB3 VB390100 | CN. BS. PIN | 5P | | ベースピン | 01 |
| | CB4 WC050700 | HOLDER. FUS | EYF52BCY | RTKL | ヒューズホルダー | 01 |
| | CB5 WC050700 | HOLDER. FUS | EYF52BCY | RTKL | ヒューズホルダー | 01 |
| | CB6 WC050700 | HOLDER. FUS | EYF52BCY | | ヒューズホルダー | 01 |
| | CB7 WC050700 | HOLDER. FUS | EYF52BCY | | ヒューズホルダー | 01 |
| | C1 VE326000 | C. MYLAR. ML | 0.1uF 50V | | 積層マイラーコン | 01 |
| | C2 VE327100 | C. MYLAR. ML | 0.82uF 50V | | 積層マイラーコン | 02 |
| | C3 FG644100 | C. CE | 0.01uF 50V | | セラコン | 01 |
| | C4 UR867100 | C. EL | 10uF 50V | | ケミコン | 01 |
| | C5 UA654220 | C. MYLAR | 0.022uF 50V | | マイラーコン | 01 |
| | C6 UR837470 | C. EL | 47uF 16V | | ケミコン | 01 |
| | C7 VE326600 | C. MYLAR. ML | 0.33uF 50V | | 積層マイラーコン | 01 |
| | C8 VE326200 | C. MYLAR. ML | 0.15uF 50V | | 積層マイラーコン | |
| | C9 UA654100 | C. MYLAR | 0.01uF 50V | | マイラーコン | 01 |
| | C10 UR867100 | C. EL | 10uF 50V | | ケミコン | 01 |
| | C11 UR867100 | C. EL | 10uF 50V | | ケミコン | 01 |
| | C12 UR867470 | C. EL | 47uF 50V | | ケミコン | 01 |
| | C13 VE326000 | C. MYLAR. ML | 0.1uF 50V | | 積層マイラーコン | 01 |
| | C14 UR868100 | C. EL | 100uF 50V | | ケミコン | 01 |
| | C15 UR838100 | C. EL | 100uF 16V | | ケミコン | 01 |
| | C16 UR867100 | C. EL | 10uF 50V | | ケミコン | 01 |
| | C17 VE326200 | C. MYLAR. ML | 0.15uF 50V | | 積層マイラーコン | |
| | C18 UA654680 | C. MYLAR | 0.068uF 50V | JUCABG | マイラーコン | 02 |
| | C18 UA654330 | C. MYLAR | 0.033uF 50V | RTKL | マイラーコン | 01 |
| | C19 FG652100 | C. CE | 100pF 50V | | セラコン | 01 |
| | C20 UR837470 | C. EL | 47uF 16V | | ケミコン | 01 |
| | C21 UR837470 | C. EL | 47uF 16V | | ケミコン | 01 |
| | C22 UR867220 | C. EL | 22uF 50V | | ケミコン | 01 |
| | C23 UR865470 | C. EL | 0.47uF 50V | | ケミコン | 01 |
| | C24 UR828220 | C. EL | 220uF 10V | | ケミコン | 01 |
| | C25 VT898000 | C. MYLAR | 0.1uF 100V | | マイラーコン | 01 |
| | C26 VT898000 | C. MYLAR | 0.1uF 100V | | マイラーコン | 01 |
| | C27 VE326200 | C. MYLAR. ML | 0.15uF 50V | | 積層マイラーコン | |
| | C28 UR867100 | C. EL | 10uF 50V | | ケミコン | 01 |
| | C29 UR867220 | C. EL | 22uF 50V | | ケミコン | 01 |
| | C30 UR867220 | C. EL | 22uF 50V | | ケミコン | 01 |
| | C31 UR867220 | C. EL | 22uF 50V | | ケミコン | 01 |
| | C32 UR867220 | C. EL | 22uF 50V | | ケミコン | 01 |
| | C33 VE326000 | C. MYLAR. ML | 0.1uF 50V | | 積層マイラーコン | 01 |

* New Parts * 新規部品(マーク#の部品は、基板に含まれません)

YST-SW010

P.C.B. MAIN

| Schm Ref. | PART NO. | Description | Remarks | Markets | 部 品 名 | Rank |
|-----------|----------|--------------|-----------------|---------|-----------|------|
| △ C35 | WB121400 | C. CE. SAFTY | 0.01uF 295V | | 規格認定コン | |
| C37 | VE326800 | C. MYLAR. ML | 0.47uF 50V | | 積層マイラーコン | 01 |
| C38 | UA653220 | C. MYLAR | 2200pF 50V | | マイラーコン | 01 |
| C41 | UR867100 | C. EL | 10uF 50V | | ケミコン | 01 |
| C57 | UR868100 | C. EL | 100uF 50V | | ケミコン | 01 |
| C58 | V6476700 | C. EL | 4700uF 50V | | ケミコン | |
| C59 | V6476700 | C. EL | 4700uF 50V | | ケミコン | |
| C72 | UR867100 | C. EL | 10uF 50V | | ケミコン | 01 |
| △ D1 | VC971500 | D1ODE. BRG | RBV-402 4A 200V | | ダイオード | 03 |
| D2 | VG440900 | D1ODE. ZENR | MTZJ15C 15V | | ツェナーダイオード | 01 |
| D3 | VG440900 | D1ODE. ZENR | MTZJ15C 15V | | ツェナーダイオード | 01 |
| D4 | VD631600 | D1ODE | 1SS133, 176 | | ダイオード | 01 |
| D5 | VD631600 | D1ODE | 1SS133, 176 | | ダイオード | 01 |
| D6 | VD631600 | D1ODE | 1SS133, 176 | | ダイオード | 01 |
| D7 | VG442500 | D1ODE. ZENR | MTZJ24B 24V | | ツェナーダイオード | 01 |
| D19 | VD631600 | D1ODE | 1SS133, 176 | | ダイオード | 01 |
| D20 | VD631600 | D1ODE | 1SS133, 176 | | ダイオード | 01 |
| D21 | VD631600 | D1ODE | 1SS133, 176 | | ダイオード | 01 |
| D22 | VD631600 | D1ODE | 1SS133, 176 | | ダイオード | 01 |
| D23 | VD631600 | D1ODE | 1SS133, 176 | | ダイオード | 01 |
| D24 | VU264100 | D1ODE | 1SR139-400 | | ダイオード | |
| * D25 | WB884500 | LED | SLP-236B-81 | | L E D | |
| * △ F1 | WC804600 | FUSE | 1.6A 125V | JUCRTKL | ヒューズ125V | |
| * △ F1 | VV335000 | FUSE | 0.4A 250V | ABG | ヒューズ250V | |
| * △ F2 | VV335000 | FUSE | 0.4A 250V | RTKL | ヒューズ250V | |
| G2 | V5995800 | PLATE. GND | | | アースプレート | |
| △ IC1 | X3587A00 | IC | STK404-070 60W | | パワー IC | 09 |
| IC2 | XB247A00 | IC | uPC4570HA | | IC | 02 |
| IC3 | X3369A00 | IC | TA7317P | | IC | 04 |
| IC4 | XB247A00 | IC | uPC4570HA | | IC | 02 |
| IC5 | XB247A00 | IC | uPC4570HA | | IC | 02 |
| * PJ1 | WC871000 | JACK. PIN | MSP-241V-01N1 | | ピンジャック 1P | |
| PN1 | WB213200 | PIN | L=70 WB21320 | | スタイルピン | |
| Q1 | iC224030 | TR | 2SC2240 GR, BL | | トランジスタ | 01 |
| Q2 | iA097030 | TR | 2SA970 GR, BL | | トランジスタ | 01 |
| * Q5 | WB228800 | TR | 2SCKTC3198 Y-AT | | トランジスタ | |
| * Q6 | WB228700 | TR | 2SAKTA1266 Y-AT | | トランジスタ | |
| * Q7 | WB228800 | TR | 2SCKTC3198 Y-AT | | トランジスタ | |
| * Q8 | WB228700 | TR | 2SAKTA1266 Y-AT | | トランジスタ | |
| Q9 | V6896700 | TR | 2SD2531 | | トランジスタ | 03 |
| Q10 | V6896500 | TR | 2SB1642 | | トランジスタ | 04 |
| Q16 | V3028000 | FET | 2SK304 E | | F E T | 01 |
| R1 | HV756270 | R. CAR. FP | 2.7KΩ 1/4W | | 不燃化カーボン抵抗 | 01 |
| R5 | HV756120 | R. CAR. FP | 1.2KΩ 1/4W | | 不燃化カーボン抵抗 | 01 |
| * R27 | WC798300 | R. MTL. FLM | 10KΩ 1/4W | | 金属被膜抵抗 | |
| R28 | V6022600 | R. WW | 0.1Ω 3W | | セメント抵抗 | |
| R30 | HV756100 | R. CAR. FP | 1KΩ 1/4W | | 不燃化カーボン抵抗 | 01 |
| * R31 | WC799000 | R. MTL. FLM | 20KΩ 1/4W | | 金属被膜抵抗 | |
| R32 | HV755100 | R. CAR. FP | 100Ω 1/4W | | 不燃化カーボン抵抗 | 01 |
| * R35 | WC798300 | R. MTL. FLM | 10KΩ 1/4W | | 金属被膜抵抗 | |
| * R36 | WC798300 | R. MTL. FLM | 10KΩ 1/4W | | 金属被膜抵抗 | |
| R39 | VC760500 | R. MTL. OXD | 470Ω 2W | | 酸化金属被膜抵抗 | 01 |
| R45 | HV754220 | R. CAR. FP | 22Ω 1/4W | | 不燃化カーボン抵抗 | 01 |

* New Parts * 新規部品(マーク#の部品は、基板に含まれません)

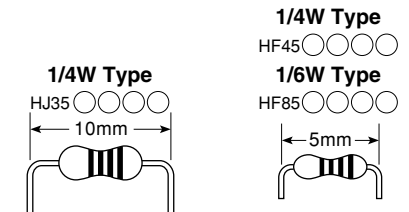
YST-SW010

P.C.B. MAIN

| Schm Ref. | PART NO. | Description | Remarks | Markets | 部 品 名 | Rank |
|------------|----------|-------------|------------------|---------|------------|------|
| R46 | HV754220 | R. CAR. FP | 22Ω 1/4W | | 不燃化カーボン抵抗 | 01 |
| R47 | VC751900 | R. MTL. OXD | 0.22Ω 2W | | 酸化金属被膜抵抗 | 01 |
| R48 | HV754100 | R. CAR. FP | 10Ω 1/4W | | 不燃化カーボン抵抗 | 01 |
| * R66 | WC796900 | R. MTL. FLM | 2.7KΩ 1/4W | | 金属被膜抵抗 | |
| * R67 | WC800700 | R. MTL. FLM | 100KΩ 1/4W | | 金属被膜抵抗 | |
| R95 | HV755100 | R. CAR. FP | 100Ω 1/4W | | 不燃化カーボン抵抗 | 01 |
| R126 | HV753100 | R. CAR. FP | 1Ω 1/4W | | 不燃化カーボン抵抗 | 01 |
| △ RY1 | V5966300 | RELAY | DS24D2-0S(M) | | リレー 24V | 05 |
| ST1 | WA789600 | SCR. TERM | M3 | | スクリューターミナル | |
| ST2 | WA789600 | SCR. TERM | M3 | | スクリューターミナル | |
| ST3 | WA789600 | SCR. TERM | M3 | | スクリューターミナル | |
| * △ SW1 | WD018300 | SW. PUSH | PS4E-A-040 U.C.S | | プッシュSW | |
| * △ SW2 | WC906700 | SW. SLIDE | SDKPA40300 | RTKL | スライドSW | |
| TE1 | VT658100 | TERM. WRAP | 352-TX119 | | ラッピング端子 | 01 |
| TE2 | VT658100 | TERM. WRAP | 352-TX119 | | ラッピング端子 | 01 |
| * VR1 | WC595500 | VR | A 5KΩ | | ロータリーVR | |
| * WD192100 | WD192100 | CUSHION | | | クッション | |

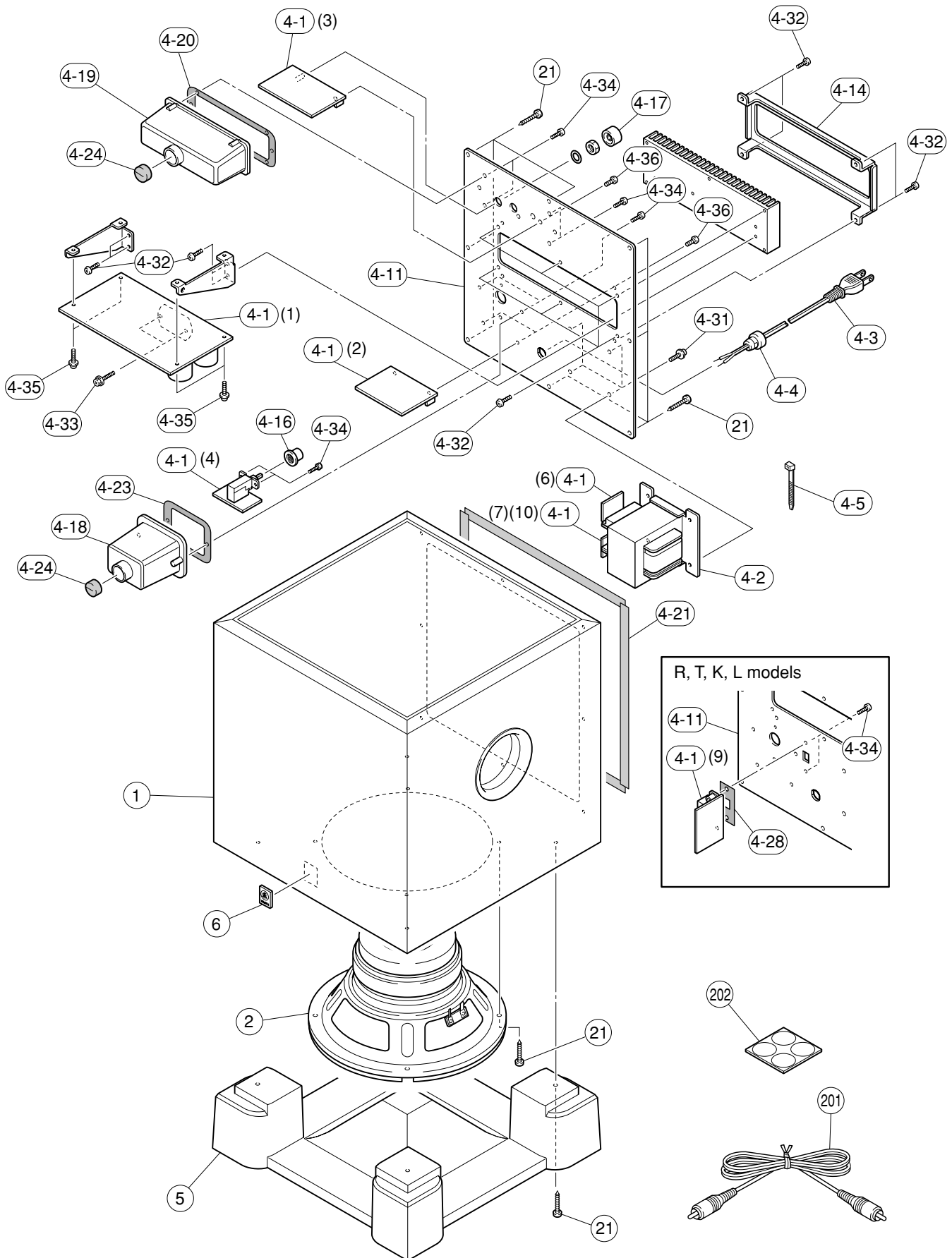
* New Parts * 新規部品(マーク#の部品は、基板に含まれません)

Parts List for Carbon Resistors

| Value | 1/4W Type Part No. | 1/6W Type Part No. | Value | 1/4W Type Part No. | 1/6W Type Part No. |
|--------|--------------------|--------------------|--------|---|--------------------|
| 1.0 Ω | HJ35 3100 | HF85 3100 | 10 kΩ | HF45 7100 | HF45 7100 |
| 1.8 Ω | HJ35 3180 | * | 11 kΩ | HF45 7110 | HF45 7110 |
| 2.2 Ω | HJ35 3220 | HF85 3220 | 12 kΩ | HJ35 7120 | HF85 7120 |
| 3.3 Ω | HJ35 3330 | HF85 3330 | 13 kΩ | HF45 7130 | HF45 7130 |
| 4.7 Ω | HJ35 3470 | HF85 3470 | 15 kΩ | HF45 7150 | HF45 7150 |
| 5.6 Ω | HJ35 3560 | HF85 3560 | 18 kΩ | HF45 7180 | HF45 7180 |
| 10 Ω | HF45 4100 | HF45 4100 | 22 kΩ | HF45 7220 | HF45 7220 |
| 15 Ω | HJ35 4150 | HF85 4150 | 24 kΩ | HF45 7240 | HF45 7240 |
| 22 Ω | HF45 4220 | HF45 4220 | 27 kΩ | HJ35 7270 | HF85 7270 |
| 27 Ω | HJ35 4270 | HF85 4270 | 30 kΩ | HF45 7300 | HF45 7300 |
| 33 Ω | HF45 4330 | HF45 4330 | 33 kΩ | HF45 7330 | HF45 7330 |
| 39 Ω | HJ35 4470 | HF85 4390 | 36 kΩ | HF45 7360 | HF45 7360 |
| 47 Ω | HF45 4470 | HF45 4470 | 39 kΩ | HF45 7390 | HF45 7390 |
| 56 Ω | HF45 4560 | HF45 4560 | 47 kΩ | HF45 7470 | HF45 7470 |
| 68 Ω | HF45 4680 | HF45 4680 | 51 kΩ | HF45 7510 | HF45 7510 |
| 75 Ω | HF45 4750 | HF45 4750 | 56 kΩ | HF45 7560 | HF45 7560 |
| 82 Ω | HF45 4820 | HF45 4820 | 62 kΩ | HF45 7620 | HF45 7620 |
| 91 Ω | HF45 4910 | HF45 4910 | 68 kΩ | HF45 7680 | HF45 7680 |
| 100 Ω | HF45 5100 | HF45 5100 | 82 kΩ | HF45 7820 | HF45 7820 |
| 110 Ω | HJ35 5110 | HF85 5110 | 91 kΩ | HF45 7910 | HF45 7910 |
| 120 Ω | HF45 5120 | HF45 5120 | 100 kΩ | HF45 8100 | HF45 8100 |
| 150 Ω | HF45 5150 | HF45 5150 | 110 kΩ | HF45 8110 | HF45 8110 |
| 160 Ω | HJ35 5160 | * | 120 kΩ | HF45 8120 | HF45 8120 |
| 180 Ω | HF45 5180 | HF45 5180 | 150 kΩ | HF45 8150 | HF45 8150 |
| 200 Ω | HF45 5200 | HF45 5200 | 180 kΩ | HF45 8180 | HF45 8180 |
| 220 Ω | HF45 5220 | HF45 5220 | 220 kΩ | HJ35 8220 | HF85 8220 |
| 270 Ω | HF45 5270 | HF45 5270 | 270 kΩ | HF45 8270 | HF45 8270 |
| 330 Ω | HF45 5330 | HF45 5330 | 300 kΩ | HF45 8300 | HF45 8300 |
| 390 Ω | HF45 5390 | HF45 5390 | 330 kΩ | HF45 8330 | HF45 8330 |
| 430 Ω | HF45 5430 | HF45 5430 | 390 kΩ | HJ35 8390 | HF85 8390 |
| 470 Ω | HF45 5470 | HF45 5470 | 470 kΩ | HF45 8470 | HF45 8470 |
| 510 Ω | HF45 5510 | HF45 5510 | 560 kΩ | HJ35 8560 | HF85 8560 |
| 560 Ω | HF45 5560 | HF45 5560 | 680 kΩ | HJ35 8680 | HF85 8680 |
| 680 Ω | HF45 5680 | HF45 5680 | 820 kΩ | HJ35 8820 | HF85 8820 |
| 820 Ω | HF45 5820 | HF45 5820 | 1.0 MΩ | HF45 9100 | HF45 9100 |
| 910 Ω | HF45 5910 | HF45 5910 | 1.2 MΩ | HJ35 9120 | * |
| 1.0 kΩ | HF45 6100 | HF45 6100 | 1.5 MΩ | HJ35 9150 | HF85 9150 |
| 1.2 kΩ | HF45 6120 | HF45 6120 | 1.8 MΩ | HJ35 9180 | HF85 9180 |
| 1.5 kΩ | HF45 6150 | HF45 6150 | 2.2 MΩ | HJ35 9220 | HF85 9220 |
| 1.8 kΩ | HF45 6180 | HF45 6180 | 3.3 MΩ | HJ35 9330 | HF85 9330 |
| 2.0 kΩ | HJ35 6200 | HF85 6200 | 3.9 MΩ | HJ35 9390 | * |
| 2.2 kΩ | HF45 6220 | HF45 6220 | 4.7 MΩ | HJ35 9470 | HF85 9470 |
| 2.4 kΩ | HJ35 6240 | HF85 6240 | | | |
| 2.7 kΩ | HF45 6270 | HF45 6270 | | | |
| 3.0 kΩ | HF45 6300 | HF45 6300 | | | |
| 3.3 kΩ | HF45 6330 | HF45 6330 | | | |
| 3.6 kΩ | HJ35 6360 | HF85 6360 | | | |
| 3.9 kΩ | HF45 6390 | HF45 6390 | | | |
| 4.7 kΩ | HF45 6470 | HF45 6470 | | | |
| 5.1 kΩ | HF45 6510 | HF45 6510 | | | |
| 5.6 kΩ | HF45 6560 | HF45 6560 | | | |
| 6.8 kΩ | HF45 6680 | HF45 6680 | | | |
| 8.2 kΩ | HF45 6820 | HF45 6820 | | | |
| 9.1 kΩ | HF45 6910 | HF45 6910 | | | |
| | | | |  | |

* : Not available

YST-SW030/YST-SW010

EXPLODED VIEW**YST-SW030**

MECHANICAL PARTS

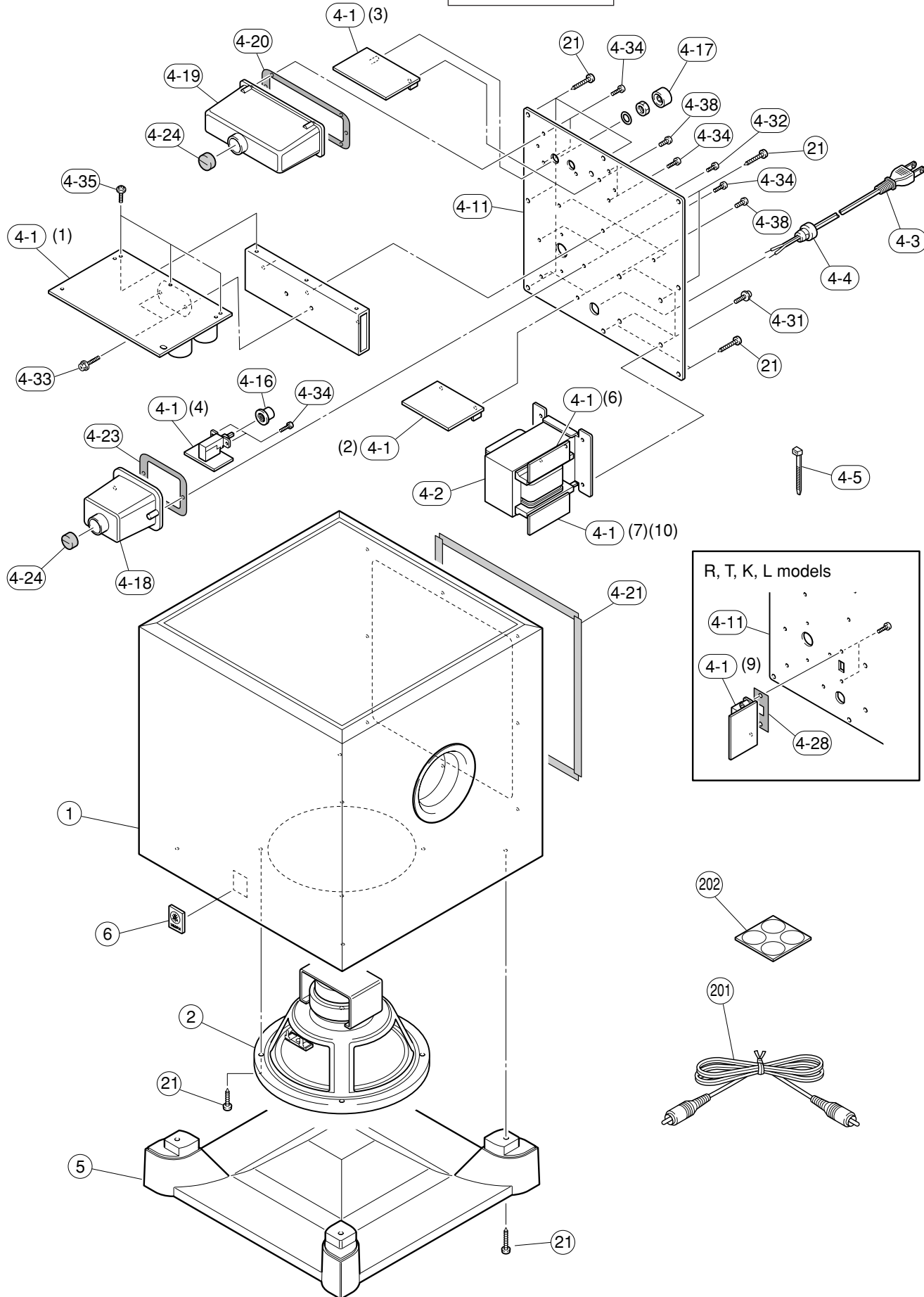
| Schm Ref. | PART NO. | Description | Remarks | Markets | 部 品 名 | Rank | | |
|-----------|----------|-------------|--------------------------------|-------------------|-------|------------|-------------------|----|
| * | 1 | WC727900 | CABINET ASS'Y | CH | | キャビネットASSY | | |
| * | 1 | WC727800 | CABINET ASS'Y | BL | | キャビネットASSY | | |
| * | 1 | WC727700 | CABINET ASS'Y | SI | | キャビネットASSY | | |
| * | 2 | X5399A00 | DRIVER, WOOFER | JA2025 | | スピーカーユニット | | |
| * | 4-1 | WC740200 | P.C.B. ASS'Y | | JUC | PCB メイン | | |
| * | 4-1 | WC740300 | P.C.B. ASS'Y | | RTKL | PCB メイン | | |
| * | 4-1 | WC740400 | P.C.B. ASS'Y | | ABG | PCB メイン | | |
| * | △ | 4-2 | X5307B00 | POWER TRANSFORMER | | J | 電源トランス | |
| * | △ | 4-2 | X5308A00 | POWER TRANSFORMER | | UC | 電源トランス | |
| * | △ | 4-2 | X5309B00 | POWER TRANSFORMER | | RTKL | 電源トランス | |
| * | △ | 4-2 | X5310B00 | POWER TRANSFORMER | | A | 電源トランス | |
| * | △ | 4-2 | X5311B00 | POWER TRANSFORMER | | BG | 電源トランス | |
| * | △ | 4-3 | WC906000 | POWER CABLE | 2m | J | 電源コード | |
| * | △ | 4-3 | WC906100 | POWER CABLE | 2m | UC | 電源コード | |
| * | △ | 4-3 | WD042000 | POWER CABLE | 2m | R | 電源コード | |
| * | △ | 4-3 | WC906200 | POWER CABLE | 2m | T | 電源コード | |
| * | △ | 4-3 | WC906300 | POWER CABLE | 2m | K | 電源コード | |
| * | △ | 4-3 | WC906400 | POWER CABLE | 2m | A | 電源コード | |
| * | △ | 4-3 | WC906500 | POWER CABLE | 2m | B | 電源コード | |
| * | △ | 4-3 | WC906600 | POWER CABLE | 2m | GL | 電源コード | |
| * | 4-4 | CB072750 | CORD STOPPER | SR-4N-4 | | | コードストッパー | 01 |
| * | 4-5 | WB408000 | BINDING TIE | GT-100M HUA WEI | | | インシュロックタイ | |
| * | 4-11 | WC736700 | REAR PANEL | | J | | リアパネル | |
| * | 4-11 | WC736800 | REAR PANEL | | UC | | リアパネル | |
| * | 4-11 | WC736900 | REAR PANEL | | RTKL | | リアパネル | |
| * | 4-11 | WC737100 | REAR PANEL | | A | | リアパネル | |
| * | 4-11 | WC737200 | REAR PANEL | | BG | | リアパネル | |
| * | 4-14 | WC739100 | REAR COVER | | | | リアカバー | |
| * | 4-16 | WC738200 | POWER KNOB | | | | パワーノブ | |
| * | 4-17 | WC757900 | VOLUME KNOB | | | | ボリュームノブ | |
| * | 4-18 | WC738400 | COVER/P. SW | | | | カバー/P. SW | |
| * | 4-19 | WC738100 | COVER/46X114 | | | | カバー/46X114 | |
| * | 4-20 | WC738800 | PACKING 738800 | | | | パッキン 738800 | |
| * | 4-21 | WC738500 | PACKING | | | | パッキン | |
| * | 4-23 | WC758000 | PACKING 75800 | | | | パッキン 75800 | |
| * | 4-24 | WC739000 | BUSH | | | | ブッシュ | |
| * | 4-28 | WC869800 | GASKET | | RTKL | | ガスケット | |
| * | 4-31 | 21991500 | PW HEAD S-TIGHT SCREW | 4x8-10 MFC2BL | | | PWヘッドSタイトネジ | 01 |
| * | 4-32 | EP600190 | BIND HEAD B-TIGHT SCREW | 3x8 MFZN2BL | | | バインドBタイトネジ | 01 |
| * | 4-33 | VK865300 | HEX. HEAD TAP. SCREW WITH WS | 3x18 MFC2BL | | | 座金付六角タッピングネジ | 01 |
| * | 4-34 | EP630660 | BIND HEAD P-TIGHT SCREW | 3x10 MFZN2BL | | | バインドPタイトネジ | 01 |
| * | 4-35 | VT669300 | PW HEAD B-TIGHT SCREW | 3x8-8 MFC2 | | | PWヘッドBタイトネジ | 01 |
| * | 4-36 | VA295800 | BIND HEAD SCREW | 3x8 MFZN2BL | | | バインド小ネジ | 01 |
| * | 5 | WC735400 | BASE | | | | ベース | |
| * | 6 | WC788700 | EMBLEM | | | | エンブレム | |
| * | 21 | VF573000 | BIND HEAD TAPPING SCREW | 4x25 MFZN2BL | | | バインドTPネジ | 01 |
| * | 201 | WC947800 | ACCESSORIES SUBWOOFER CABLE | 1P 5m 1pc | | | 付属品 サブウーハーケーブル | |
| * | 202 | WC731500 | NON SKID PAD | M32 t2 4pcs/set | | | 滑止パッド | |

* New Parts * 新規部品(マーク#の部品は、基板に含まれません)

YST-SW030/YST-SW010

EXPLODED VIEW

YST-SW010



MECHANICAL PARTS

| Schm Ref. | PART NO. | Description | Remarks | Markets | 部 品 名 | Rank | | |
|-----------|----------|-------------|--------------------------------|-------------------|-------|------------|-------------------|----|
| * | 1 | WC781500 | CABINET ASS'Y | CH | | キャビネットASSY | | |
| * | 1 | WC781400 | CABINET ASS'Y | BL | | キャビネットASSY | | |
| * | 1 | WC781300 | CABINET ASS'Y | SI | | キャビネットASSY | | |
| * | 2 | X5400A00 | DRIVER, WOOFER | JA1690 | | スピーカーユニット | | |
| * | 4-1 | WC785400 | P.C.B. ASS'Y | | JUC | PCB メイン | | |
| * | 4-1 | WC785500 | P.C.B. ASS'Y | | RTKL | PCB メイン | | |
| * | 4-1 | WC785600 | P.C.B. ASS'Y | | ABG | PCB メイン | | |
| * | △ | 4-2 | X5312A00 | POWER TRANSFORMER | | J | 電源トランス | |
| * | △ | 4-2 | X5313A00 | POWER TRANSFORMER | | UC | 電源トランス | |
| * | △ | 4-2 | X5314A00 | POWER TRANSFORMER | | RTKL | 電源トランス | |
| * | △ | 4-2 | X5315A00 | POWER TRANSFORMER | | A | 電源トランス | |
| * | △ | 4-2 | X5316A00 | POWER TRANSFORMER | | BG | 電源トランス | |
| * | △ | 4-3 | WC906000 | POWER CABLE | 2m | J | 電源コード | |
| * | △ | 4-3 | WC906100 | POWER CABLE | 2m | UC | 電源コード | |
| * | △ | 4-3 | WD042000 | POWER CABLE | 2m | R | 電源コード | |
| * | △ | 4-3 | WC906200 | POWER CABLE | 2m | T | 電源コード | |
| * | △ | 4-3 | WC906300 | POWER CABLE | 2m | K | 電源コード | |
| * | △ | 4-3 | WC906400 | POWER CABLE | 2m | A | 電源コード | |
| * | △ | 4-3 | WC906500 | POWER CABLE | 2m | B | 電源コード | |
| * | △ | 4-3 | WC906600 | POWER CABLE | 2m | GL | 電源コード | |
| * | 4-4 | CB072750 | CORD STOPPER | SR-4N-4 | | | コードストッパー | 01 |
| * | 4-5 | WB408000 | BINDING TIE | GT-100M HUA WEI | | | インシュロックタイ | |
| * | 4-11 | WC784600 | REAR PANEL | | J | | リアパネル | |
| * | 4-11 | WC784700 | REAR PANEL | | UC | | リアパネル | |
| * | 4-11 | WC784800 | REAR PANEL | | RTKL | | リアパネル | |
| * | 4-11 | WC784900 | REAR PANEL | | A | | リアパネル | |
| * | 4-11 | WC785000 | REAR PANEL | | BG | | リアパネル | |
| * | 4-16 | WC738200 | POWER KNOB | | | | パワーノブ | |
| * | 4-17 | WC757900 | VOLUME KNOB | | | | ボリュームノブ | |
| * | 4-18 | WC738400 | COVER/P. SW | | | | カバー/P. SW | |
| * | 4-19 | WC738100 | COVER/46X114 | | | | カバー/46X114 | |
| * | 4-20 | WC738800 | PACKING 738800 | | | | パッキン 738800 | |
| * | 4-21 | WC785200 | PACKING | | | | パッキン | |
| * | 4-23 | WC758000 | PACKING 75800 | | | | パッキン 758000 | |
| * | 4-24 | WC739000 | BUSH | | | | ブッシュ | |
| * | 4-28 | WC869800 | GASKET | | RTKL | | ガスケット | |
| * | 4-31 | 21991500 | PW HEAD S-TIGHT SCREW | 4x8-10 MFC2BL | | | PWヘッドSタイトネジ | 01 |
| * | 4-32 | EP600190 | BIND HEAD B-TIGHT SCREW | 3x8 MFZN2BL | | | バインドBタイトネジ | 01 |
| * | 4-33 | VK865300 | HEX. HEAD TAP. SCREW WITH WS | 3x18 MFC2BL | | | 座金付六角タッピングネジ | 01 |
| * | 4-34 | EP630660 | BIND HEAD P-TIGHT SCREW | 3x10 MFZN2BL | | | バインドPタイトネジ | 01 |
| * | 4-35 | VT669300 | PW HEAD B-TIGHT SCREW | 3x8-8 MFC2 | | | PWヘッドBタイトネジ | 01 |
| * | 4-38 | VA295800 | BIND HEAD SCREW | 3x8 MFZN2BL | | | バインド小ネジ | 01 |
| * | 5 | WC784200 | BASE | | | | ベース | |
| * | 6 | WC788700 | EMBLEM | | | | エンブレム | |
| * | 21 | VF573000 | BIND HEAD TAPPING SCREW | 4x25 MFZN2BL | | | バインドTPネジ | 01 |
| * | 201 | WC947800 | ACCESSORIES SUBWOOFER CABLE | 1P 5m 1pc | | | 付属品 サブウーハーケーブル | |
| * | 202 | WC783900 | NON SKID PAD | M25 t2 4pcs/set | | | 滑止パッド | |

* New Parts * 新規部品(マーク#の部品は、基板に含まれません)

YST-SW030/YST-SW010

