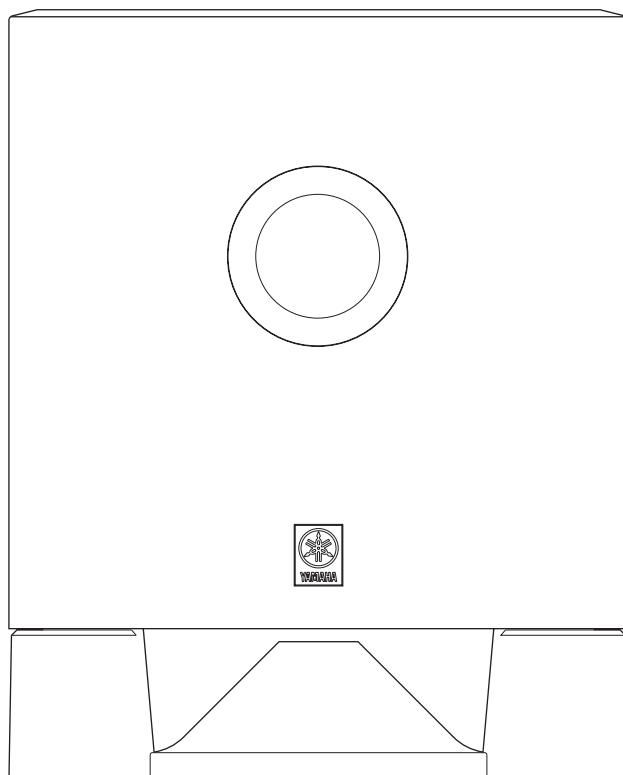


SUBWOOFER SYSTEM YST-SW011

SERVICE MANUAL



IMPORTANT NOTICE

This manual has been provided for the use of authorized YAMAHA Retailers and their service personnel.

It has been assumed that basic service procedures inherent to the industry, and more specifically YAMAHA Products, are already known and understood by the users, and have therefore not been restated.

WARNING: Failure to follow appropriate service and safety procedures when servicing this product may result in personal injury, destruction of expensive components, and failure of the product to perform as specified. For these reasons, we advise all YAMAHA product owners that any service required should be performed by an authorized YAMAHA Retailer or the appointed service representative.

IMPORTANT: The presentation or sale of this manual to any individual or firm does not constitute authorization, certification or recognition of any applicable technical capabilities, or establish a principle-agent relationship of any form.

The data provided is believed to be accurate and applicable to the unit(s) indicated on the cover. The research, engineering, and service departments of YAMAHA are continually striving to improve YAMAHA products. Modifications are, therefore, inevitable and specifications are subject to change without notice or obligation to retrofit. Should any discrepancy appear to exist, please contact the distributor's Service Division.

WARNING: Static discharges can destroy expensive components. Discharge any static electricity your body may have accumulated by grounding yourself to the ground buss in the unit (heavy gauge black wires connect to this buss).

IMPORTANT: Turn the unit OFF during disassembly and part replacement. Recheck all work before you apply power to the unit.

■ CONTENTS

TO SERVICE PERSONNEL	2
SPECIFICATIONS / 参考仕様	3
INTERNAL VIEW	4
REAR PANELS	5~6
DISASSEMBLY PROCEDURES / 分解手順	7~8


BLOCK DIAGRAM	8
PRINTED CIRCUIT BOARD	9
SCHEMATIC DIAGRAM	10
PARTS LIST	11~17

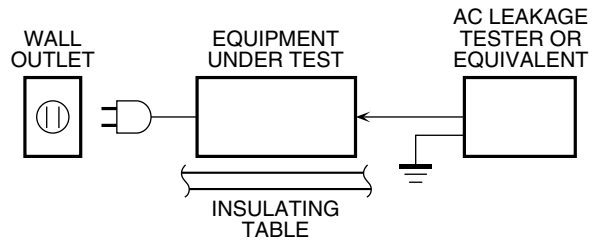


このサービスマニュアルは、エコマーク認定の再生紙を使用しています。
This Service Manual uses recycled paper.



TO SERVICE PERSONNEL

- Critical Components Information
Components having special characteristics are marked  and must be replaced with parts having specifications equal to those originally installed.
 - Leakage Current Measurement (For 120V Models Only)
When service has been completed, it is imperative to verify that all exposed conductive surfaces are properly insulated from supply circuits.
- Meter impedance should be equivalent to 1500 ohms shunted by 0.15μF.



- Leakage current must not exceed 0.5mA.
- Be sure to test for leakage with the AC plug in both polarities.



“CAUTION”

“F1: FOR CONTINUED PROTECTION AGAINST RISK OF FIRE, REPLACE ONLY WITH SAME TYPE 1.6A, 125V FUSE.”

CAUTION

F1: REPLACE WITH SAME TYPE 1.6A, 125V FUSE.

ATTENTION

F1: UTILISER UN FUSIBLE DE RECHANGE DE MEME TYPE DE 1.6A, 125V.

WARNING: CHEMICAL CONTENT NOTICE!

The solder used in the production of this product contains LEAD. In addition, other electrical/electronic and /or plastic (where applicable) components may also contain traces of chemicals found by the California Health and Welfare Agency (and possibly other entities) to cause cancer and/or birth defects or other reproductive harm.

DO NOT PLACE SOLDER, ELECTRICAL/ELECTRONIC OR PLASTIC COMPONENTS IN YOUR MOUTH FOR ANY REASON WHATSOEVER!

Avoid prolonged, unprotected contact between solder and your skin! When soldering, do not inhale solder fumes or expose eyes to solder/flux vapor!

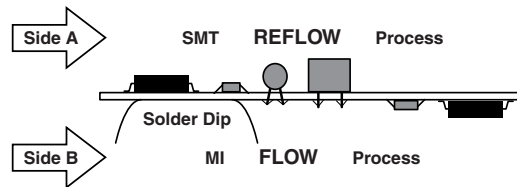
If you come in contact with solder or components located inside the enclosure of this product, wash your hands before handling food.

About Lead Free Solder / 無鉛ハンダについて

The P.C.B.s installed in this unit are soldered using the following solder.

本機に搭載されている基板のハンダ付けに使用されているハンダは下記の通りです。

	SIDE A / A 面	SIDE B / B 面
MAIN P.C.B.	-	Lead Free Solder / 無鉛ハンダ



Among some types of lead free solder currently available, it is recommended to use one of the following types for the repair work.

- Sn + Ag + Cu (tin + silver + copper)
- Sn + Cu (tin + copper)
- Sn + Zn + Bi (tin + zinc + bismuth)

無鉛ハンダにはいくつかの種類がありますが、修理時には下記のような無鉛ハンダの使用を推奨します。

- Sn+Ag+Cu(錫+銀+銅)
- Sn+Cu(錫+銅)
- Sn+Zn+Bi(錫+亜鉛+ビスマス)

Caution:

- As the melting point temperature of the lead free solder is about 30°C to 40°C (50°F to 70°F) higher than that of the lead solder, be sure to use a soldering iron suitable to each solder.
- If lead solder must be used, be sure to remove lead free solder from each terminal section of the parts to be replaced and from the area around it completely before soldering, or make sure that the lead free solder and lead solder melt together fully.

注意:

- ① 無鉛ハンダの融点温度は通常の鉛入りハンダに比べ30~40°C程度高くなっていますので、それぞれのハンダに合ったハンダごてをご使用ください。
- ② 鉛入りハンダを使わざるを得ない場合は、あらかじめ交換する部品端子部やその周辺部の無鉛ハンダをすべて取り除くか、あるいは無鉛ハンダと鉛入りハンダが十分に溶けた状態となるようにハンダ付けしてください。

■ SPECIFICATIONS / 参考仕様

Type / 型式 Advanced Yamaha Active Servo Technology

Output Power / 出力 (100 Hz, 5 ohms, 10% T.H.D.)

..... 50 W

Input Sensitivity / 入力感度 (50 Hz, 50W / 5 ohms)

INPUT (PJ)

..... 50 mV

Dynamic Power / ダイナミックパワー (5 ohms)

..... 100 W

Input Impedance / 入力インピーダンス

INPUT (PJ) 12 k-ohms

Frequency Response / 再生周波数帯域

..... 30 Hz to 200 Hz

Driver / スピーカーユニット (Magnetic Shielding Type)

..... 8" (20 cm) cone

Input Section / 入力部

INPUT RCA Pin Jack

Operation Section / 操作部

Rear Panel Power Switch, Volume Control, LED Indicator,
Voltage Selector (R, T, K, L models)

Power Supply / 電源

U, C models AC 120 V, 60 Hz

R, L models AC 110-120 / 220-240 V, 50 / 60 Hz

T model AC 110-120 / 220-240 V, 50 Hz

K model AC 110-120 / 220-240 V, 60 Hz

A model AC 240 V, 50 Hz

B, G models AC 230 V, 50 Hz

J model AC 100 V, 50 / 60 Hz

Power Consumption / 消費電力

U, C, R, T, K, A, B, G, L models 45 W

J model 30 W

Dimensions / 外形寸法 (W x H x D)

..... 290 x 361 x 302.5 mm
(11-7/16" x 14-3/16" x 11-15/16")

Weight / 質量

..... 10.0 kg (22 lbs. 1 oz.)

Finish

Cherry Color R, T, K, A, B, G, L, J models

Black Color U, C, R, T, A, B, G, L, J models

Silver Color U, C, R, T, K, A, B, G, L, J models

Accessories / 付属品

Subwoofer Cable (5 m) x 1, Nonskid Pad x 4

* Specifications are subject to change without notice due to product improvements.

※ 参考仕様および外観は予告なく変更されることがあります。

U U.S.A. model

R General model

K Korean model

B British model

L Singapore model

C Canadian model

T Chinese model

A Australian model

G European model

J Japanese model



Advanced YST

Advanced Yamaha Active Servo Technology is a unique system to let the speaker unit have a perfectly linear motion by the speaker and amplifier combination.

アドバンスドヤマハアクティブサーボテクノロジー

アドバンスドヤマハアクティブサーボテクノロジーは、スピーカーとアンプの組み合わせにより振動板を効率よくスムーズに動かし最大音圧時のリアリティを大幅に改善したユニークなシステムです。



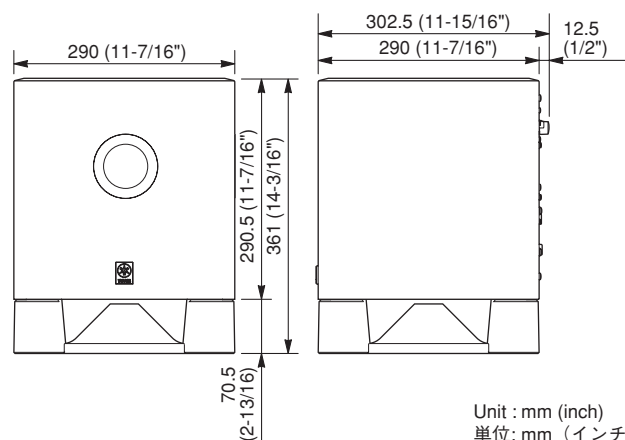
QD-Bass Technology

QD-Bass (Quatre Dispersion Bass) technology is a Yamaha unique technology to radiate the sound efficiently in four horizontal direction.

QD ベーステクノロジー

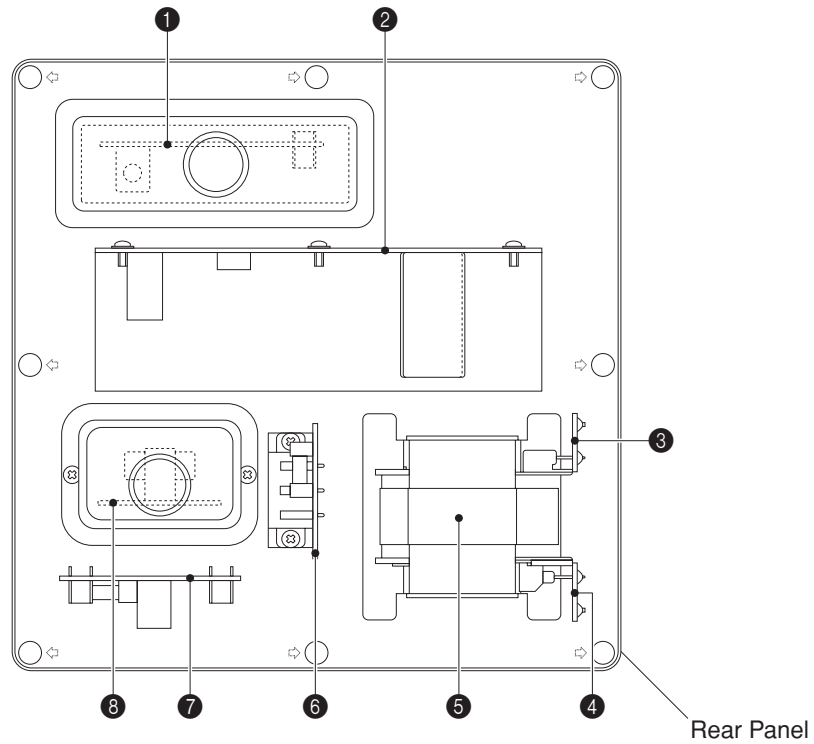
QD (キューディー) ベーステクノロジーは、低音エネルギーを4水平方向に効率よく放射するヤマハ独自のテクノロジーです。

• DIMENSIONS / 寸法図



Unit : mm (inch)
単位: mm (インチ)

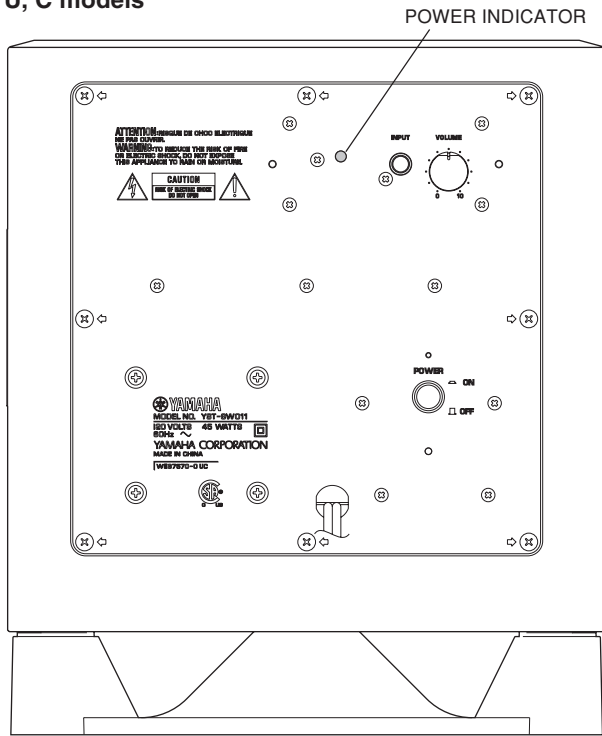
INTERNAL VIEW



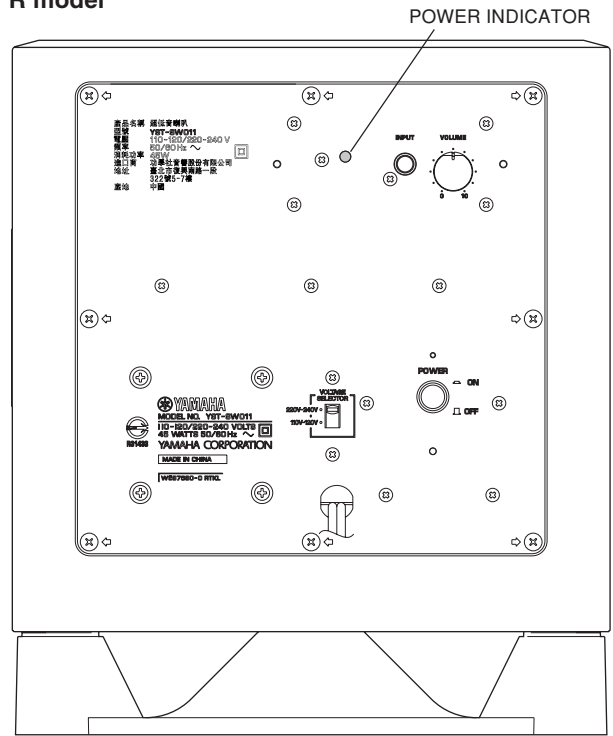
- ❶ MAIN (3) P.C.B.
- ❷ MAIN (1) P.C.B.
- ❸ MAIN (6) P.C.B.
- ❹ MAIN (7) P.C.B. (U, C, A, B, G, J models)
MAIN (10) P.C.B. (R, T, K, L models)
- ❺ Power Transformer
- ❻ MAIN (9) P.C.B. (R, T, K, L models)
- ❼ MAIN (2) P.C.B.
- ❽ MAIN (4) P.C.B.

REAR PANELS

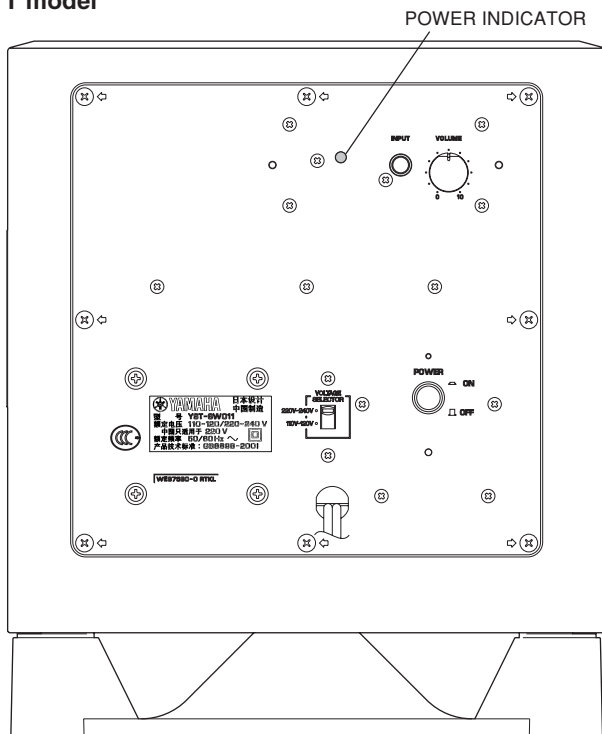
U, C models



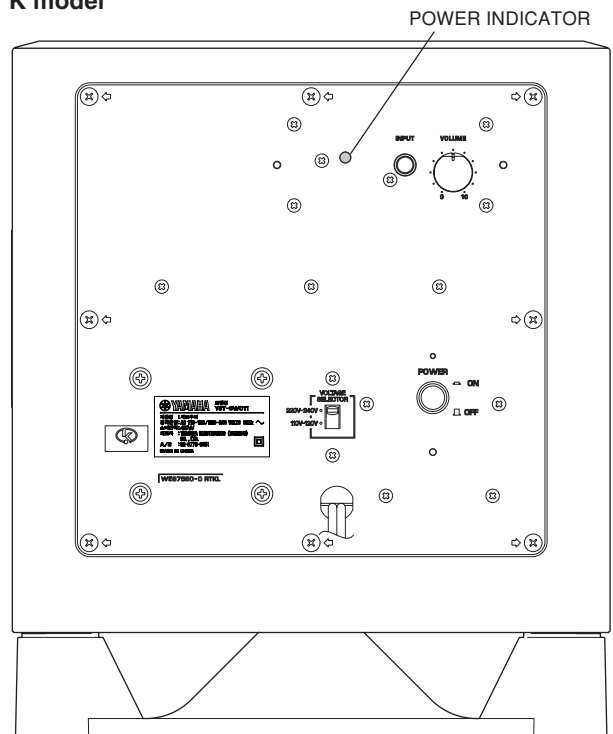
R model



T model

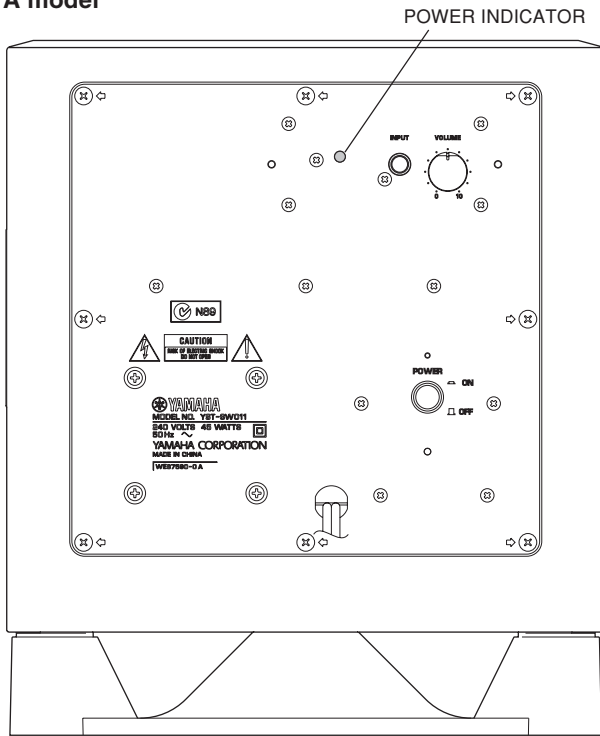


K model

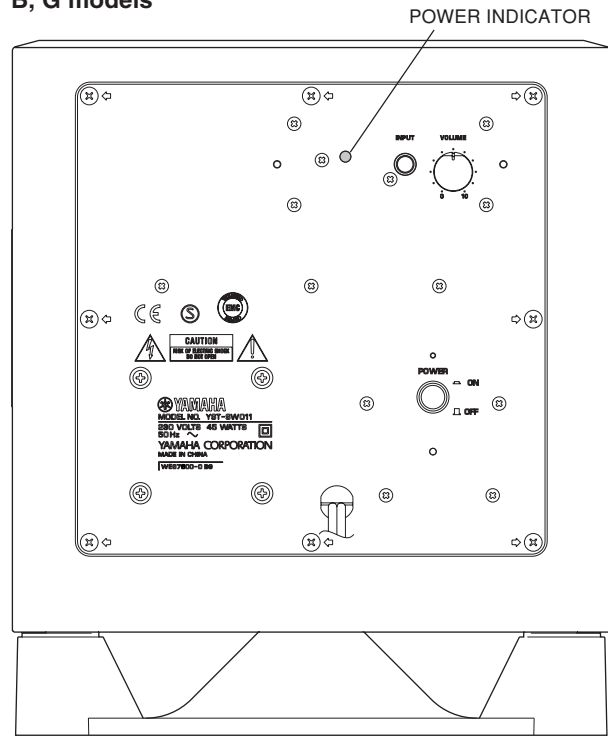


YST-SW011

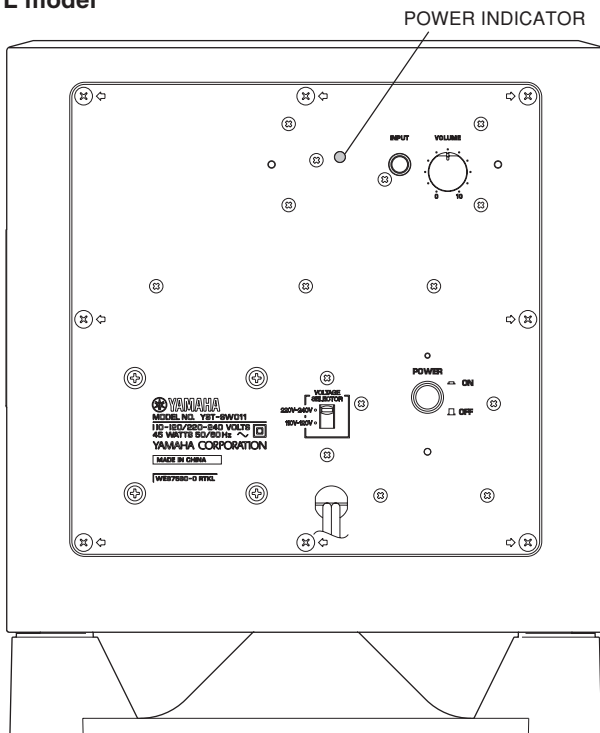
A model



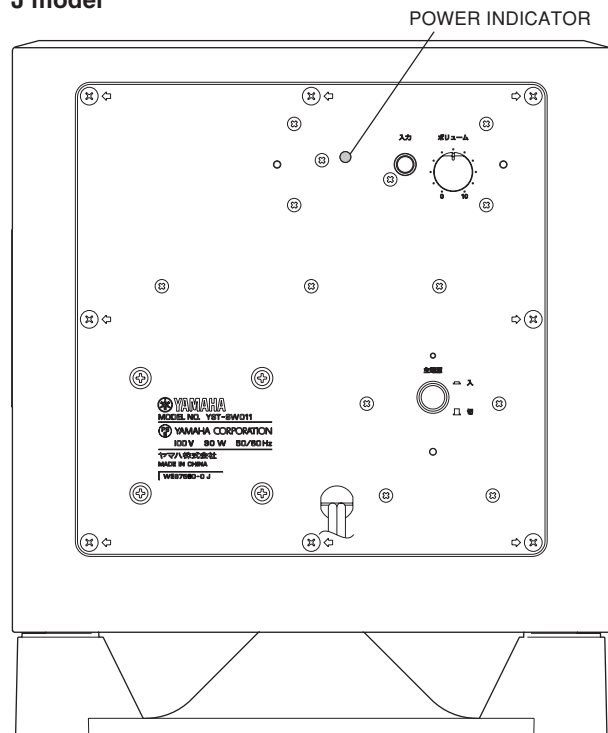
B, G models



L model



J model



YST-SW011

■ DISASSEMBLY PROCEDURES / 分解手順

(Remove parts in the order as numbered.)
Disconnect the power cable from the AC outlet.

(番号順に部品を取り外してください。)
AC電源コンセントから、電源コードを抜いてください。

1. Removal of Driver

- Remove 4 screws (①) and then remove the Base. (Fig. 1)
- Remove 4 screws (②) and then remove the Driver. (Fig. 1)
- Disconnect the connector connected to the terminal of the Driver. (Fig. 1)

1. スピーカーユニットの外し方

- ①のネジ4本を外し、ベースを取り外します。(Fig. 1)
- ②のネジ4本を外し、スピーカーユニットを取り外します。(Fig. 1)
- スピーカーユニットの端子に接続されているコネクタを外します。(Fig. 1)

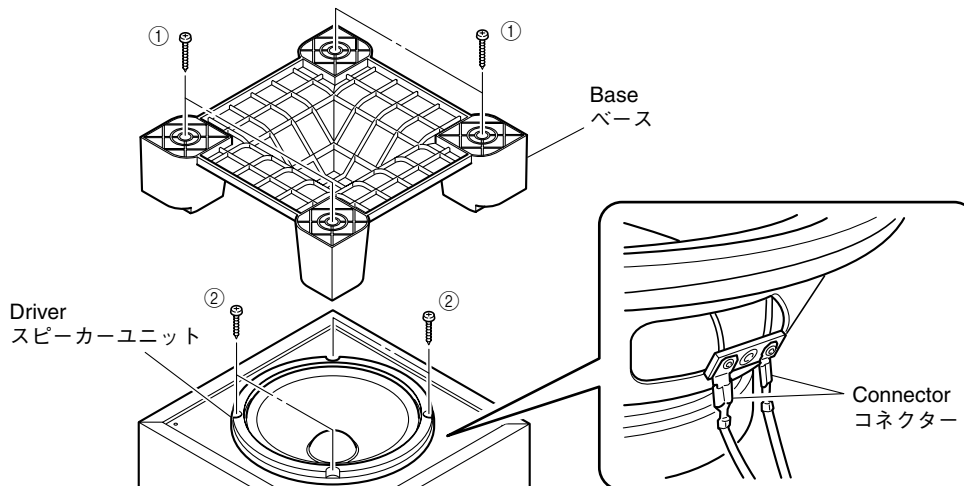


Fig. 1

2. Removal of Rear Panel Ass'y

- Remove 8 screws (③). (Fig. 2)
* Screws (③) are identified with arrow marks (◀).
- Pull out the rear panel ass'y. (Fig. 2)

2. リアパネルAss'yの外し方

- ③のネジ8本を外します。(Fig. 2)
※ 取り外す③のネジには矢印(◀)が印刷されています。
- リアパネルAss'yを引き出します。(Fig. 2)

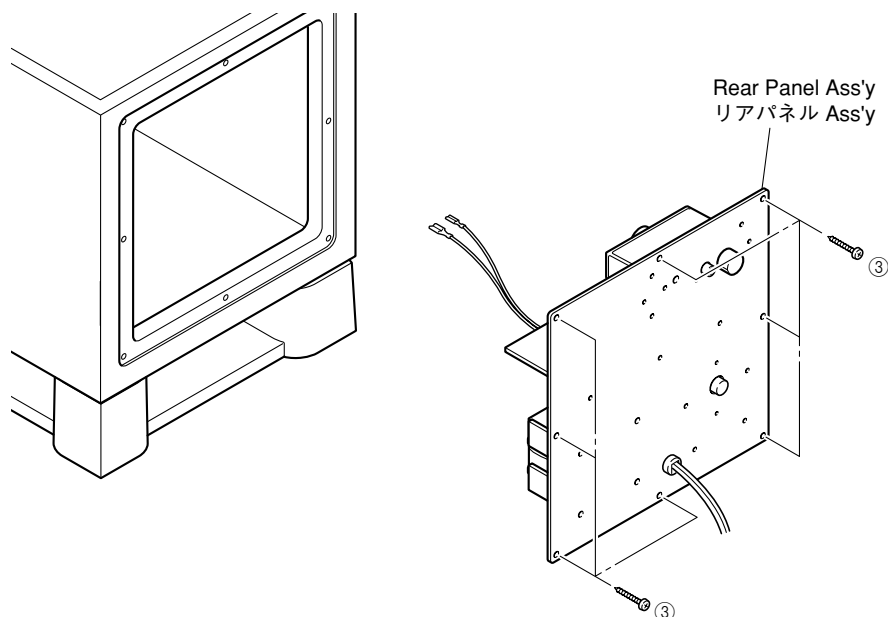


Fig. 2

When Checking the P.C.B.:

- Connect all the connectors removed during disassembly back to the original positions.
- Spread the Rubber sheet and cloth for insulation purpose and place the rear panel ass'y on them. (Fig. 3)

P.C.B.チェックをする場合には

- 分解の際に外したコネクタをすべて元通りに接続します。
- 絶縁のためにゴムシートと布を敷き、その上にリアパネル Ass'yを置いてチェックします。(Fig. 3)

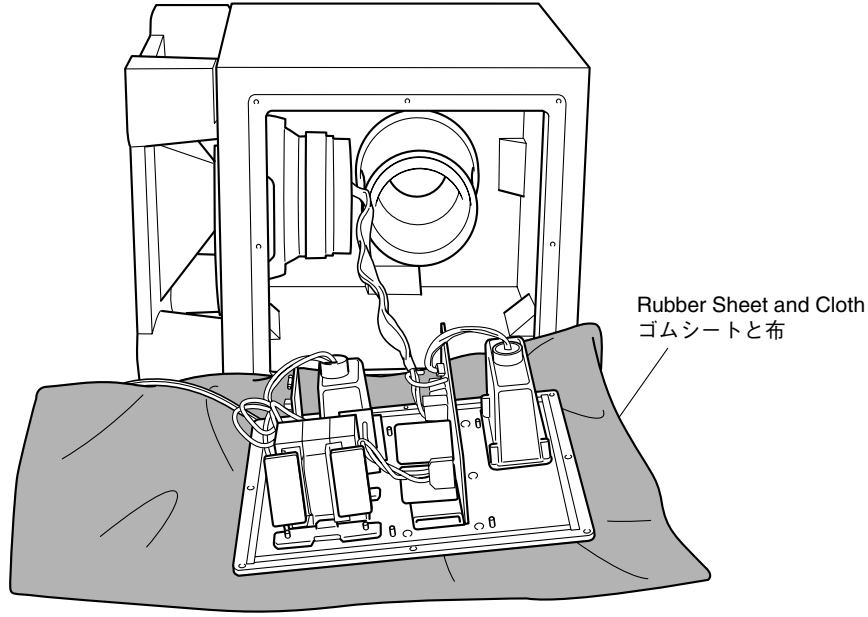
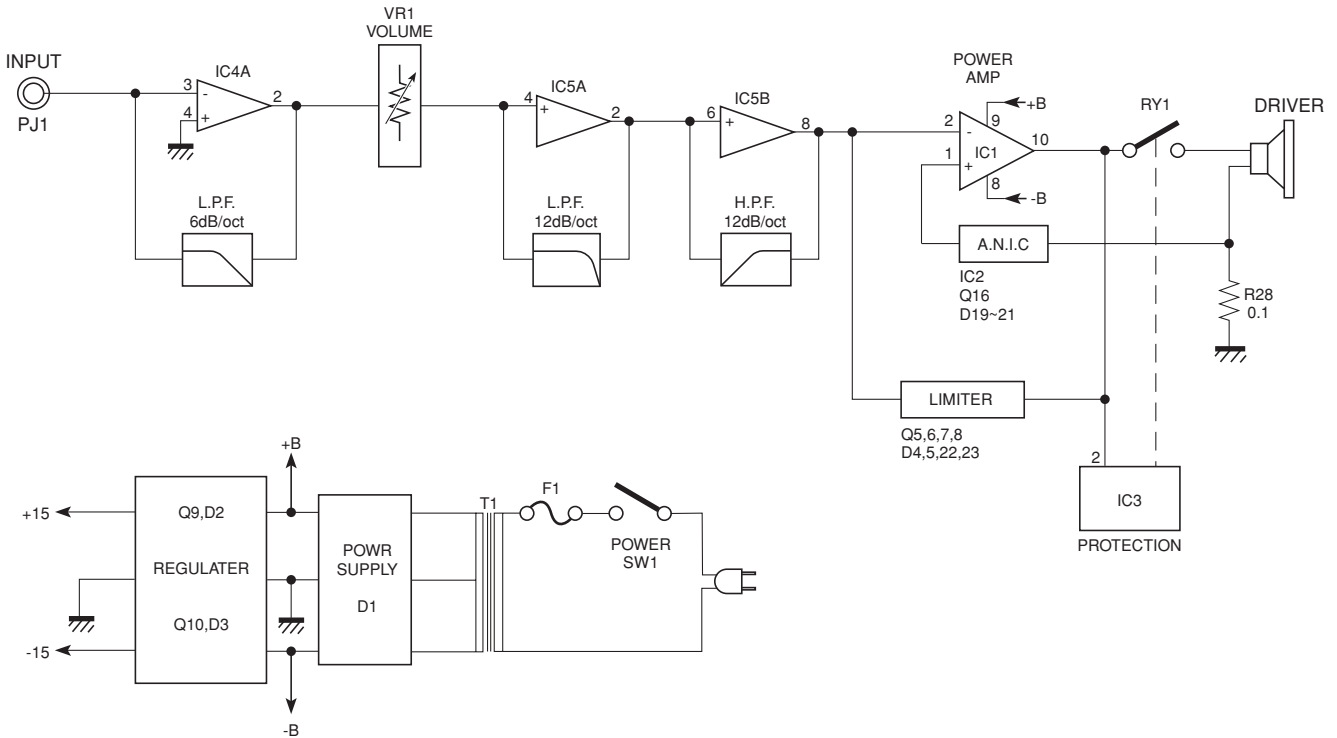


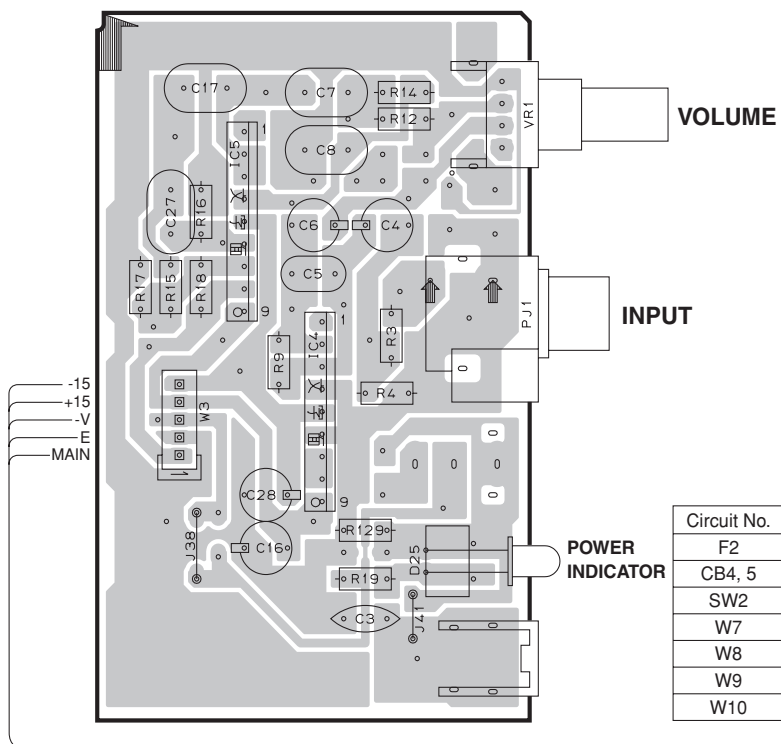
Fig. 3

■ BLOCK DIAGRAM



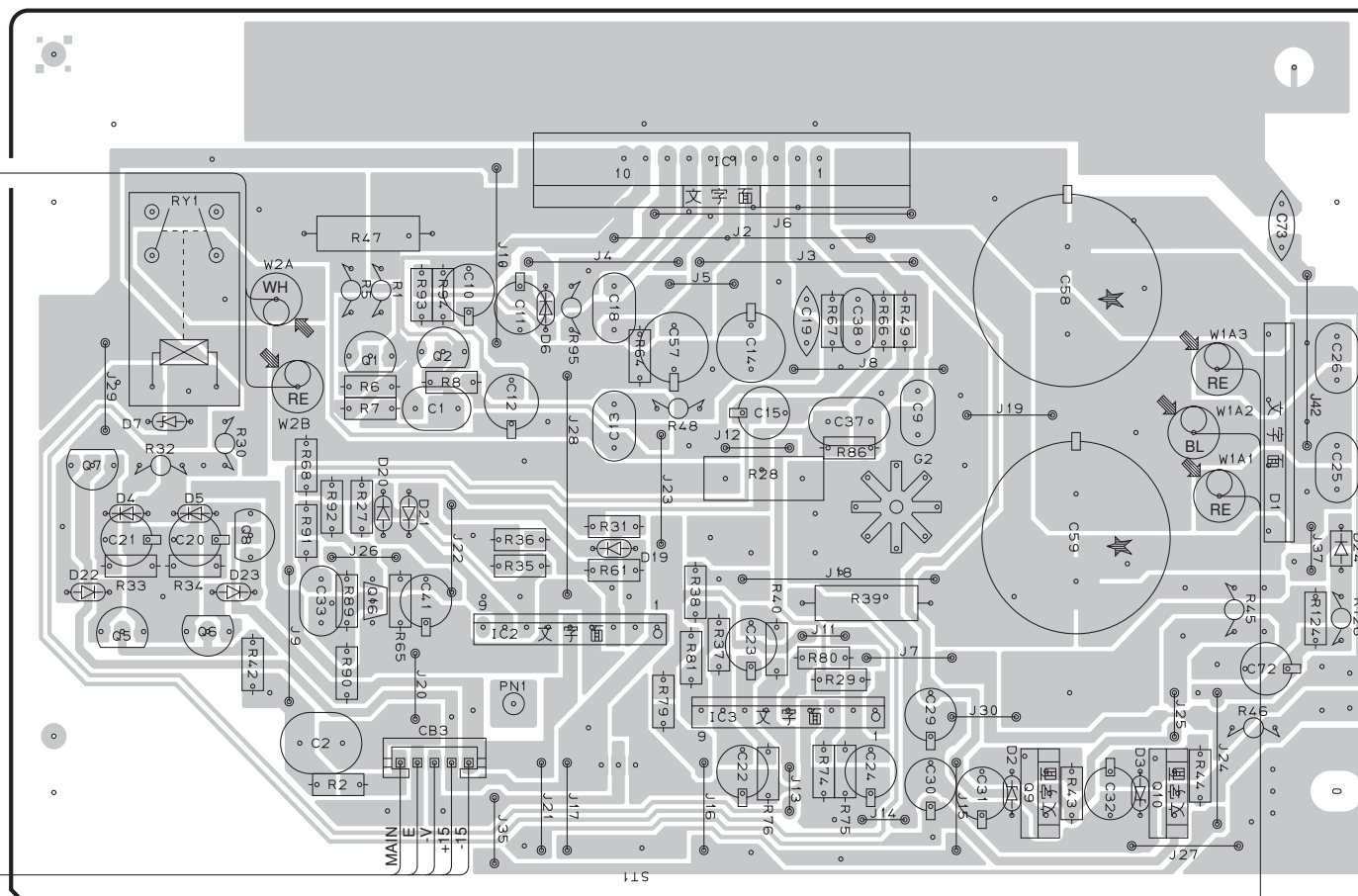
PRINTED CIRCUIT BOARD (Foil side) Lead Free Solder Used

MAIN (3) P. C. B. (Lead Type Device)



Circuit No.	U, C, A, B, G, J	R, T, K, L
F2	X	O
CB4, 5	X	O
SW2	X	O
W7	X	O
W8	X	O
W9	X	O
W10	X	O

MAIN (1) P. C. B. (Lead Type Device)

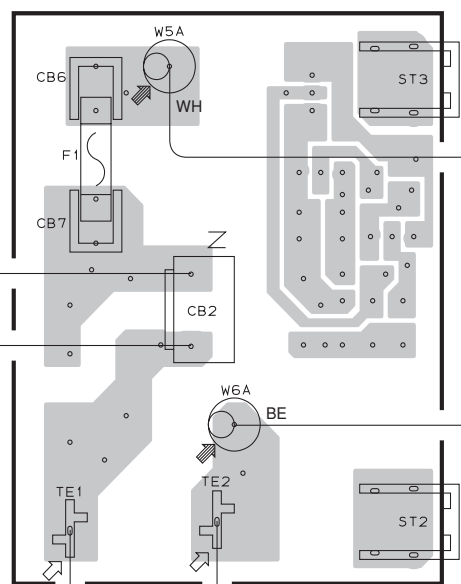


• Semiconductor Location

Ref. no.	Location	Ref. no.	Location	Ref. no.	Location	Ref. no.	Location
D1	I2	D19	G3	IC2	G3	Q6	F3
D2	H4	D20	F3	IC3	H3	Q7	E3
D3	I4	D21	F3	IC4	B3	Q8	F3
D4	E3	D22	E3	IC5	B2	Q9	I4
D5	F3	D23	F3	Q1	F2	Q10	I4
D6	G2	D24	J3	Q2	G2		
D7	F2	IC1	G1	Q5	E3		

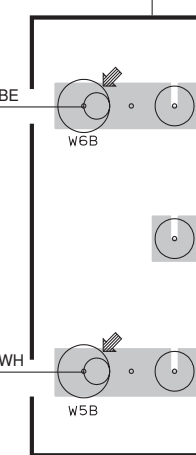
MAIN (2) P. C. B.

(Lead Type Device)



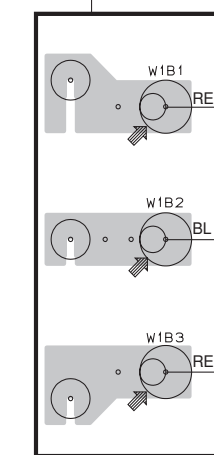
MAIN (7) P. C. B.

(Lead Type Device)
U, C, A, B, G, J models



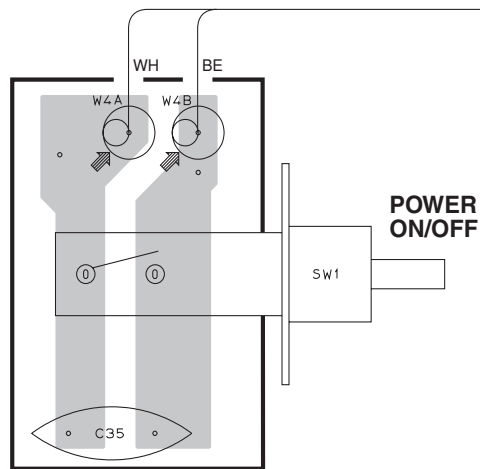
MAIN (6) P. C. B.

(Lead Type Device)



MAIN (4) P. C. B.

(Lead Type Device)

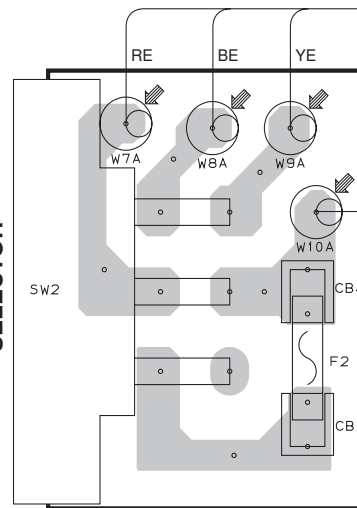


R, T, K, L models

MAIN (9) P. C. B.

(Lead Type Device)

VOLTAGE SELECTOR

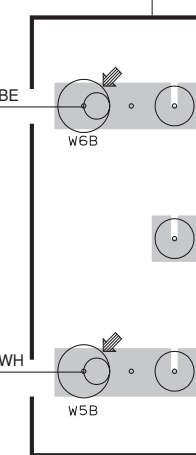


U, C, A, B, G, J models

R, T, K, L models

MAIN (7) P. C. B.

(Lead Type Device)
U, C, A, B, G, J models



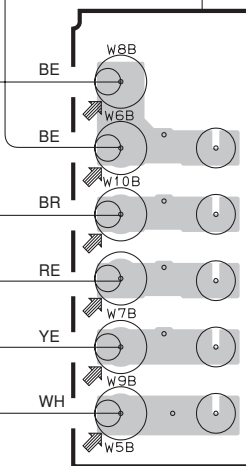
Power Transformer

Power Transformer

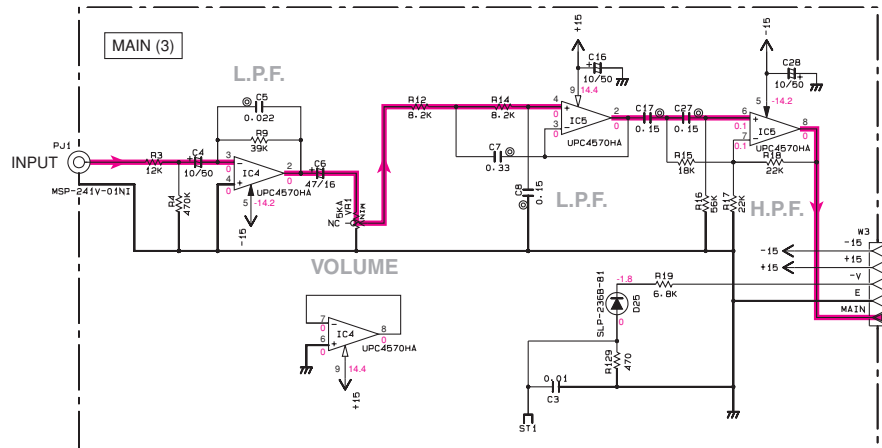
R, T, K, L models

MAIN (10) P. C. B.

(Lead Type Device)



SCHEMATIC DIAGRAM

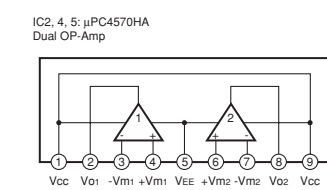
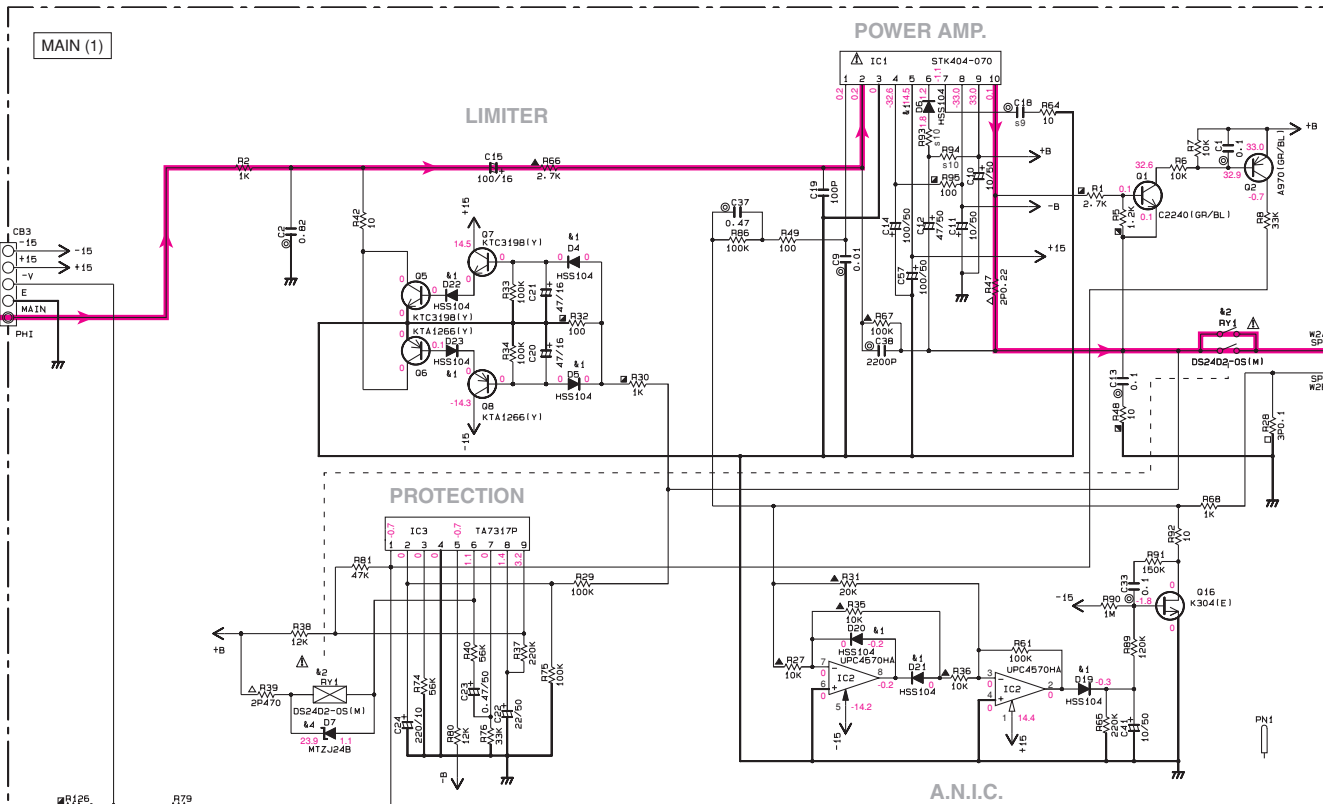


REMARKS	PARTS NAME	SYMBOL
NO MARK	ELECTROLYTIC CAPACITOR	Π
⊗	TANTALUM CAPACITOR	Π
NO MARK	CERAMIC CAPACITOR	Π
⊙	CERAMIC TUBULAR CAPACITOR	Π
⊖	POLYESTER FILM CAPACITOR	Π
⊕	POLYSTYRENE FILM CAPACITOR	Π
⊖	MICA CAPACITOR	Π
⊕	POLYPROPYLENE FILM CAPACITOR	Π
⊖	SEMICONDUCTIVE CERAMIC CAPACITOR	Π
⊕	POLYPHENYLENE SULFIDE FILM CAPACITOR	Π

REMARKS	PARTS NAME	SYMBOL
NO MARK	CARBON FILM RESISTOR (P=5)	\square
⊠	CARBON FILM RESISTOR (P=10)	\square
△	METAL OXIDE FILM RESISTOR	\square
⊠	METAL FILM RESISTOR	\square
⊠	METAL PLATE RESISTOR	\square
⊠	FIRE PROOF CARBON FILM RESISTOR	\square
⊠	CEMENT MOLDED RESISTOR	\square
⊠	SEMI VARIABLE RESISTOR	\square
⊠	CHIP RESISTOR	\square

TRANSFORMER	
DESTINATION	PART NUMBER
J	X5312
U-C	X5313
R-T-K-L	X5314
A	X5315
B-G	X5316

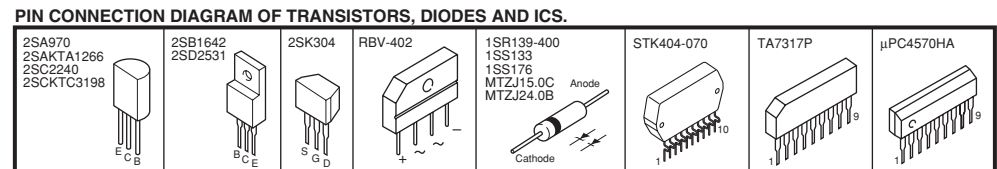
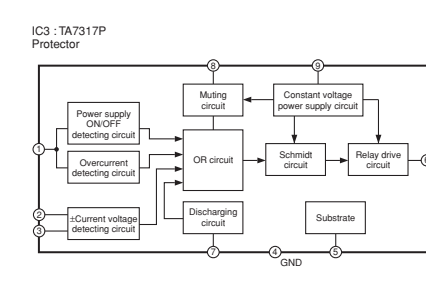
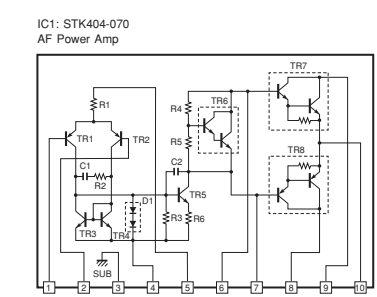
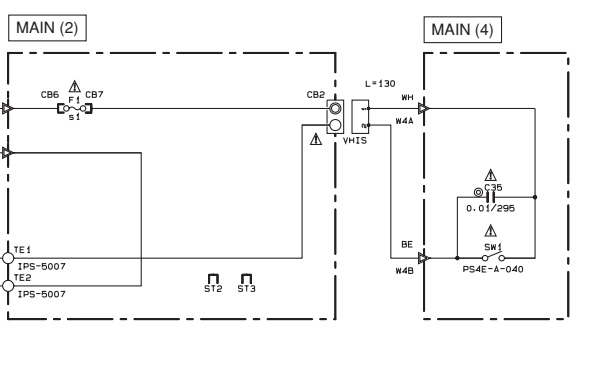
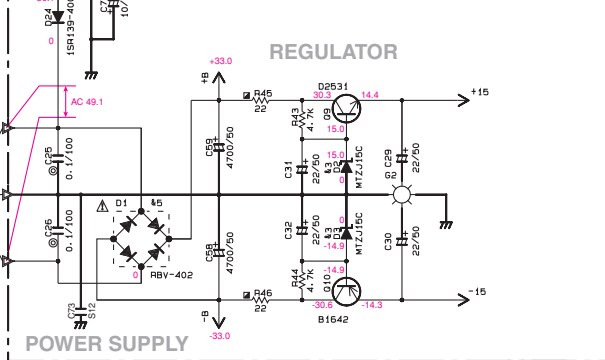
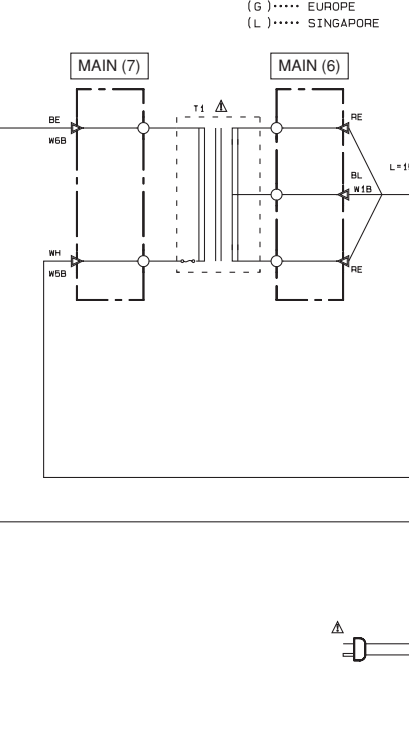
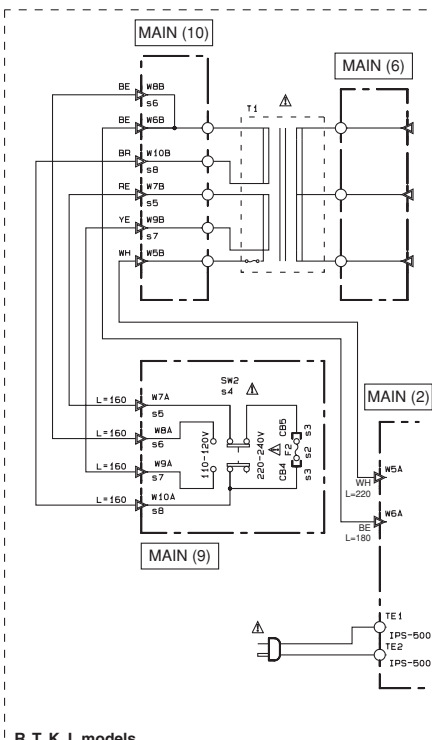
NOTICE (model)
 (J)..... JAPAN
 (U)..... U. S. A
 (C)..... CANADA
 (R)..... GENERAL
 (T)..... CHINA
 (K)..... KOREA
 (A)..... AUSTRALIA
 (B)..... BRITISH
 (G)..... EUROPE
 (L)..... SINGAPORE



LOCATION	DESTINATION	DESTINATION			
		J-U-C	R-T-L	K	A-B-G
S1	F1	1.6A125V	1.6A125V	1.6A125V	T400MAL250V
S2	F2	X	T400MAL250V	T400MAL250V	X
S3	CB4-5	X	WC05070	WC05070	X
S4	SW2	X	WC90670	WC90670	X
S5	W7	X	MH12616	MH12616	X
S6	WB	X	MH16616	MH16616	X
S7	WB	X	MH14616	MH14616	X
S8	W10	X	MH11616	MH11616	X
S9	C18	0.068	0.033	0.033	0.068
S10	R03, 04	4.7k	10.0k	10.0k	4.7k
S11	L1	X	X	K1T25.0X12.0X15 ESD-R-2SSD	K1T25.0X12.0X15 ESD-R-2SSD
S12	C73	X	X	220P	220P

Interchangeable Parts at Manufacture-Stage

Mark	Reference Parts Number	Parts Name
41	D4-6-19-23	1SS133 1SS176 HSS104
42	RV1	DG24D2-051M1 05PA-2B
43	D2-3	MTZJ15C GDZJ15C
44	D7	MTZJ24B GDZJ24B
45	D1	RBV-402 D35BA20





★ All voltages are measured with a 10MΩV DC electronic volt meter.
 ★ Components having special characteristics are marked with a triangle and must be replaced with parts having specifications equal to those originally installed.
 ★ Schematic diagram is subject to change without notice.

★ 電圧は、内部抵抗10MΩの電圧計で測定したものです。
 ★ 三角形のある部品は、安全性確保部品を示しています。部品の交換が必要な場合、パーツリストに記載されている部品を使用してください。
 ★ 本回路図は標準回路図です。改良のため予告なく変更することがございます。

PARTS LIST

■ ELECTRICAL PARTS

■ WARNING

- Components having special characteristics are marked  and must be replaced with parts having specifications equal to those originally installed.
- Carbon resistors (1/6W or 1/4W) are not included in the ELECTRICAL PARTS List. For the parts No. of the carbon resistors, refer to last page.
- 印のある部分は、安全確保部品を示しています。部品の交換が必要な場合、パーツリストに記載されている部品を使用してください。
- 本機に使用しているカーボン抵抗は1/6Wまたは1/4Wです。このパーツリストには、記載しておりませんので、部品番号がHF450000タイプまたは同等品を使用してください。
- 部品価格ランクは、予告なく変更することがあります。

ABBREVIATIONS IN THIS LIST ARE AS FOLLOWS:

C.A.EL.CHP	: CHIP ALUMI.ELECTROLYTIC CAP	L.EMIT	: LIGHT EMITTING MODULE
C.CE	: CERAMIC CAP	LED.DSPLY	: LED DISPLAY
C.CE.ARRAY	: CERAMIC CAP ARRAY	LED.INFRD	: LED,INFRARED
C.CE.CHP	: CHIP CERAMIC CAP	MODUL.RF	: MODULATOR,RF
C.CE.ML	: MULTILAYER CERAMIC CAP	PHOT.CPL	: PHOTO COUPLER
C.CE.M.CHP	: CHIP MULTILAYER CERAMIC CAP	PHOT.INTR	: PHOTO INTERRUPTER
C.CE.SAFTY	: RECOGNIZED CERAMIC CAP	PHOT.RFLCT	: PHOTO REFLECTOR
C.CE.TUBLR	: CERAMIC TUBULAR CAP	PIN.TEST	: PIN,TEST POINT
C.CE.SMI	: SEMI CONDUCTIVE CERAMIC CAP	PLST.RIVET	: PLASTIC RIVET
C.EL	: ELECTROLYTIC CAP	R.ARRAY	: RESISTOR ARRAY
C.MICA	: MICA CAP	R.CAR.	: CARBON RESISTOR
C.ML.FLM	: MULTILAYER FILM CAP	R.CAR.CHP	: CHIP RESISTOR
C.MP	: METALLIZED PAPER CAP	R.CAR.FP	: FLAME PROOF CARBON RESISTOR
C.MYLAR	: MYLAR FILM CAP	R.FUS	: FUSABLE RESISTOR
C.MYLAR.ML	: MULTILAYER MYLAR FILM CAP	R.MTL.CHP	: CHIP METAL FILM RESISTOR
C.PAPER	: PAPER CAPACITOR	R.MTL.FLM	: METAL FILM RESISTOR
C.PLS	: POLYSTYRENE FILM CAP	R.MTL.OXD	: METAL OXIDE FILM RESISTOR
C.POL	: POLYESTER FILM CAP	R.MTL.PLAT	: METAL PLATE RESISTOR
C.POLY	: POLYETHYLENE FILM CAP	RSNR.CE	: CERAMIC RESONATOR
C.PP	: POLYPROPYLENE FILM CAP	RSNR.CRYS	: CRYSTAL RESONATOR
C.TNTL	: TANTALUM CAP	R.TW.CEM	: TWIN CEMENT FIXED RESISTOR
C.TNTL.CHP	: CHIP TANTALUM CAP	R.WW	: WIRE WOUND RESISTOR
C.TRIM	: TRIMMER CAP	SCR.BND.HD	: BIND HEAD B-TITE SCREW
CN	: CONNECTOR	SCR.BW.HD	: BW HEAD TAPPING SCREW
CN.BS.PIN	: CONNECTOR,BASE PIN	SCR.CUP	: CUP TITE SCREW
CN.CANNON	: CONNECTOR,CANNON	SCR.TERM	: SCREW TERMINAL
CN.DIN	: CONNECTOR,DIN	SCR.TR	: SCREW,TRANSISTOR
CN.FLAT	: CONNECTOR,FLAT CABLE	SUPRT.PCB	: SUPPORT,P.C.B.
CN.POST	: CONNECTOR,BASE POST	SURG.PRTCT	: SURGE PROTECTOR
COIL.MX.AM	: COIL,AM MIX	SW.TACT	: TACT SWITCH
COIL.AT.FM	: COIL,FM ANTENNA	SW.LEAF	: LEAF SWITCH
COIL.DT.FM	: COIL,FM DETECT	SW.LEVER	: LEVER SWITCH
COIL.MX.FM	: COIL,FM MIX	SW.MICRO	: MICRO SWITCH
COIL.OUTPT	: OUTPUT COIL	SW.PUSH	: PUSH SWITCH
DIOD.ARRAY	: DIODE ARRAY	SW.RT.ENC	: ROTARY ENCODER
DIODE.BRG	: DIODE BRIDGE	SW.RT.MTR	: ROTARY SWITCH WITH MOTOR
DIODE.CHP	: CHIP DIODE	SW.RT	: ROTARY SWITCH
DIODE.VAR	: VARACTOR DIODE	SW.SLIDE	: SLIDE SWITCH
DIOD.Z.CHP	: CHIP ZENER DIODE	TERM.SP	: SPEAKER TERMINAL
DIODE.ZENR	: ZENER DIODE	TERM.WRAP	: WRAPPING TERMINAL
DSCR.CE	: CERAMIC DISCRIMINATOR	THRMST.CHP	: CHIP THERMISTOR
FER.BEAD	: FERRITE BEADS	TR.CHP	: CHIP TRANSISTOR
FER.CORE	: FERRITE CORE	TR.DGT	: DIGITAL TRANSISTOR
FET.CHP	: CHIP FET	TR.DGT.CHP	: CHIP DIGITAL TRANSISTOR
FL.DSPLY	: FLUORESCENT DISPLAY	TRANS	: TRANSFORMER
FLTR.GE	: CERAMIC FILTER	TRANS.PULS	: PULSE TRANSFORMER
FLTR.COMB	: COMB FILTER MODULE	TRANS.PWR	: POWER TRANSFORMER ASS'Y
FLTR.LC.RF	: LC FILTER,EMI	TUNER.AM	: TUNER PACK,AM
GND.MTL	: GROUND PLATE	TUNER.FM	: TUNER PACK,FM
GND.TERM	: GROUND TERMINAL	TUNER.PK	: FRONT-ENDTUNER PACK
HOLDER.FUS	: FUSE HOLDER	VR	: ROTARY POTENTIOMETER
IC.PRTCT	: IC PROTECTOR	VR.MTR	: POTENTIOMETER WITH MOTOR
JUMPER.CN	: JUMPER CONNECTOR	VR.SW	: POTENTIOMETER WITH ROTARY SW
JUMPER.TST	: JUMPER,TEST POINT	VR.SLIDE	: SLIDE POTENTIOMETER
L.DTCT	: LIGHT DETECTING MODULE	VR.TRIM	: TRIMMER POTENTIOMETER

Note) Those parts marked with “#” are not included in the P.C.B. ass'y.

P.C.B. MAIN

Schm Ref.	PART NO.	Description	Remarks	Markets	部 品 名	Rank	
	WC785400	P. C. B.	MAIN		JUC	PCB メイン	18
	WC785500	P. C. B.	MAIN		RTL	PCB メイン	
	WD874200	P. C. B.	MAIN		K	PCB メイン	
	WC785600	P. C. B.	MAIN		ABG	PCB メイン	
△	CB2	VG879900	CN. BS. PIN	2P		ベースピン	01
	CB3	VB390100	CN. BS. PIN	5P		ベースピン	01
	CB4	WC050700	CLIP. FUSE	EYF52BCY	RTKL	ヒューズクリップ	01
	CB5	WC050700	CLIP. FUSE	EYF52BCY	RTKL	ヒューズクリップ	01
	CB6	WC050700	CLIP. FUSE	EYF52BCY		ヒューズクリップ	01
	CB7	WC050700	CLIP. FUSE	EYF52BCY		ヒューズクリップ	01
	C1	VE326000	C. MYLAR. ML	0.1uF 50V		積層マイラーコン	01
	C2	VE327100	C. MYLAR. ML	0.82uF 50V		積層マイラーコン	02
	C3	FG644100	C. CE	0.01uF 50V		セラコン	01
	C4	UR867100	C. EL	10uF 50V		ケミコン	01
	C5	UA654220	C. MYLAR	0.022uF 50V		マイラーコン	01
	C6	UR837470	C. EL	47uF 16V		ケミコン	01
	C7	VE326600	C. MYLAR. ML	0.33uF 50V		積層マイラーコン	01
	C8	VE326200	C. MYLAR. ML	0.15uF 50V		積層マイラーコン	
	C9	UA654100	C. MYLAR	0.01uF 50V		マイラーコン	01
	C10	UR867100	C. EL	10uF 50V		ケミコン	01
	C11	UR867100	C. EL	10uF 50V		ケミコン	01
	C12	UR867470	C. EL	47uF 50V		ケミコン	01
	C13	VE326000	C. MYLAR. ML	0.1uF 50V		積層マイラーコン	01
	C14	UR868100	C. EL	100uF 50V		ケミコン	01
	C15	UR838100	C. EL	100uF 16V		ケミコン	01
	C16	UR867100	C. EL	10uF 50V		ケミコン	01
	C17	VE326200	C. MYLAR. ML	0.15uF 50V		積層マイラーコン	
	C18	UA654680	C. MYLAR	0.068uF 50V	JUCABG	マイラーコン	02
	C18	UA654330	C. MYLAR	0.033uF 50V	RTKL	マイラーコン	01
	C19	FG652100	C. CE	100pF 50V		セラコン	01
	C20	UR837470	C. EL	47uF 16V		ケミコン	01
	C21	UR837470	C. EL	47uF 16V		ケミコン	01
	C22	UR867220	C. EL	22uF 50V		ケミコン	01
	C23	UR865470	C. EL	0.47uF 50V		ケミコン	01
	C24	UR828220	C. EL	220uF 10V		ケミコン	01
	C25	VT898000	C. MYLAR	0.1uF 100V		マイラーコン	
	C26	VT898000	C. MYLAR	0.1uF 100V		マイラーコン	
	C27	VE326200	C. MYLAR. ML	0.15uF 50V		積層マイラーコン	
	C28	UR867100	C. EL	10uF 50V		ケミコン	01
	C29	UR867220	C. EL	22uF 50V		ケミコン	01
	C30	UR867220	C. EL	22uF 50V		ケミコン	01
	C31	UR867220	C. EL	22uF 50V		ケミコン	01
	C32	UR867220	C. EL	22uF 50V		ケミコン	01
	C33	VE326000	C. MYLAR. ML	0.1uF 50V		積層マイラーコン	01
△	C35	WB121400	C. CE. SAFTY	0.01uF 295V		規格認定コン	
	C37	VE326800	C. MYLAR. ML	0.47uF 50V		積層マイラーコン	01
	C38	UA653220	C. MYLAR	2200pF 50V		マイラーコン	01
	C41	UR867100	C. EL	10uF 50V		ケミコン	01
	C57	UR868100	C. EL	100uF 50V		ケミコン	01
	C58	V6476700	C. EL	4700uF 50V		ケミコン	
	C59	V6476700	C. EL	4700uF 50V		ケミコン	
	C72	UR867100	C. EL	10uF 50V		ケミコン	01
	C73	FG652220	C. CE	220pF 50V	KABG	セラコン	

* New Parts * 新規部品

P.C.B. MAIN

Schm Ref.	PART NO.	Description	Remarks	Markets	部 品 名	Rank
△ D1	VC971500	D10DE. BRG	RBV-402 4A 200V		ダイオード	03
D2	VG440900	D10DE. ZENR	MTZJ15C 15V		ツェナーダイオード	01
D3	VG440900	D10DE. ZENR	MTZJ15C 15V		ツェナーダイオード	01
D4	VD631600	D10DE	1SS133, 176		ダイオード	01
D5	VD631600	D10DE	1SS133, 176		ダイオード	01
D6	VD631600	D10DE	1SS133, 176		ダイオード	01
D7	VG442500	D10DE. ZENR	MTZJ24B 24V		ツェナーダイオード	01
D19	VD631600	D10DE	1SS133, 176		ダイオード	01
D20	VD631600	D10DE	1SS133, 176		ダイオード	01
D21	VD631600	D10DE	1SS133, 176		ダイオード	01
D22	VD631600	D10DE	1SS133, 176		ダイオード	01
D23	VD631600	D10DE	1SS133, 176		ダイオード	01
D24	VU264100	D10DE	1SR139-400		ダイオード	01
D25	WB884500	LED	SLP-236B-81		LED	
△ F1	WC804600	FUSE	1. 6A 125V	JUCRKL	ヒューズ 125V	01
△ F1	VV335000	FUSE	0. 4A 250V	ABG	ヒューズ250V	
△ F2	VV335000	FUSE	0. 4A 250V	RTKL	ヒューズ250V	
G2	V5995800	PLATE. GND			アースプレート	
△ IC1	X3587A00	IC	STK404-070 60W		パワー IC	09
IC2	XB247A00	IC	uPC4570HA		IC	02
IC3	X3369A00	IC	TA7317P		IC	04
IC4	XB247A00	IC	uPC4570HA		IC	02
IC5	XB247A00	IC	uPC4570HA		IC	02
PJ1	WC871000	JACK. PIN	MSP-241V-01N1		ピンジャック 1P	
PN1	WB213200	PIN	L=70 WB21320		スタイルピン	
Q1	iC224030	TR	2SC2240 GR, BL		トランジスタ	01
Q2	iA097030	TR	2SA970 GR, BL		トランジスタ	01
Q5	WB228800	TR	2SCKTC3198 Y-AT		トランジスタ	
Q6	WB228700	TR	2SAKTA1266 Y-AT		トランジスタ	
Q7	WB228800	TR	2SCKTC3198 Y-AT		トランジスタ	
Q8	WB228700	TR	2SAKTA1266 Y-AT		トランジスタ	
Q9	V6896700	TR	2SD2531		トランジスタ	03
Q10	V6896500	TR	2SB1642		トランジスタ	04
Q16	V3028000	FET	2SK304 E		FET	01
R1	HV756270	R. CAR. FP	2. 7K Ω 1/4W		不燃化カーボン抵抗	01
R5	HV756120	R. CAR. FP	1. 2K Ω 1/4W		不燃化カーボン抵抗	01
R27	WC798300	R. MTL. FLM	10K Ω 1/4W		金属被膜抵抗	
R28	V6022600	R. WW	0. 1 Ω 3W		セメント抵抗	
R30	HV756100	R. CAR. FP	1K Ω 1/4W		不燃化カーボン抵抗	01
R31	WC799000	R. MTL. FLM	20K Ω 1/4W		金属被膜抵抗	
R32	HV755100	R. CAR. FP	100 Ω 1/4W		不燃化カーボン抵抗	01
R35	WC798300	R. MTL. FLM	10K Ω 1/4W		金属被膜抵抗	
R36	WC798300	R. MTL. FLM	10K Ω 1/4W		金属被膜抵抗	
R39	VC760500	R. MTL. OXD	470 Ω 2W		酸化金属被膜抵抗	01
R45	HV754220	R. CAR. FP	22 Ω 1/4W		不燃化カーボン抵抗	01
R46	HV754220	R. CAR. FP	22 Ω 1/4W		不燃化カーボン抵抗	01
R47	VC751900	R. MTL. OXD	0. 22 Ω 2W		酸化金属被膜抵抗	01
R48	HV754100	R. CAR. FP	10 Ω 1/4W		不燃化カーボン抵抗	01
R66	WC796900	R. MTL. FLM	2. 7K Ω 1/4W		金属被膜抵抗	
R67	WC800700	R. MTL. FLM	100K Ω 1/4W		金属被膜抵抗	
R95	HV755100	R. CAR. FP	100 Ω 1/4W		不燃化カーボン抵抗	01
R126	HV753100	R. CAR. FP	1 Ω 1/4W		不燃化カーボン抵抗	01
△ RY1	V5966300	RELAY	DS24D2-0S(M)		リレー 24V	05

* New Parts * 新規部品

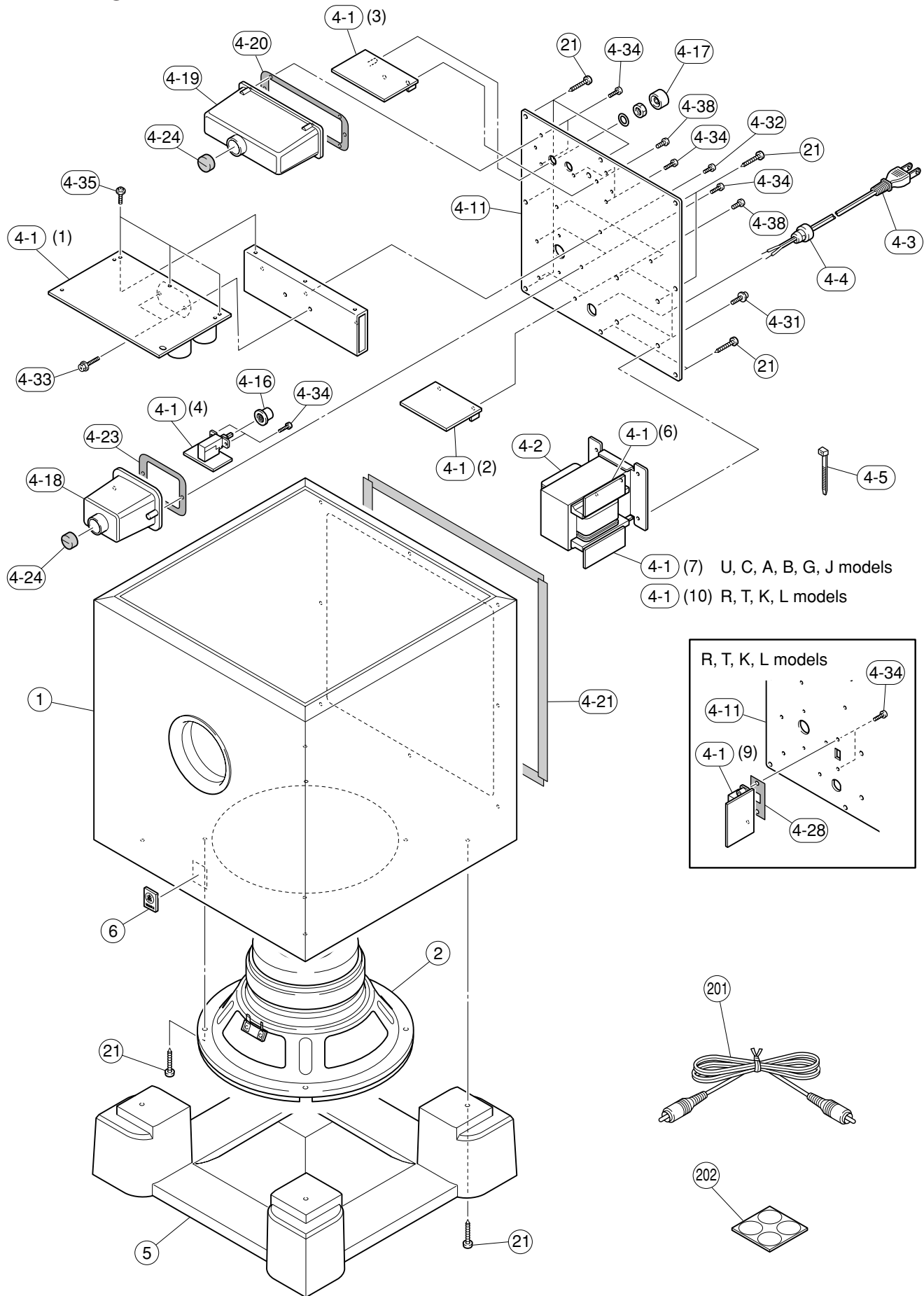
P.C.B. MAIN

Schm Ref.	PART NO.	Description	Remarks	Markets	部 品 名	Rank
ST1	WA789600	SCR. TERM	M3		スクリューターミナル	
ST2	WA789600	SCR. TERM	M3		スクリューターミナル	
ST3	WA789600	SCR. TERM	M3		スクリューターミナル	
* △ SW1	WD018300	SW. PUSH	PS4E-A-040 U.C.S		プッシュSW	03
* △ SW2	WC906700	SW. SLIDE	SDKPA40300	RTKL	スライドSW	
TE1	VT658100	TERM. WRAP	352-TX119		ラッピング端子	01
TE2	VT658100	TERM. WRAP	352-TX119		ラッピング端子	01
VR1	WC595500	VR	A 5KΩ		ロータリーVR	04
	WD192100	CUSHION			クッション	01

* New Parts * 新規部品

YST-SW011

EXPLODED VIEW



MECHANICAL PARTS

Schm Ref.	PART NO.	Description	Remarks	Markets	部 品 名	Rank	
*	1	WE873800	CABINET ASS'Y	CH		キャビネットASSY	
*	1	WE873600	CABINET ASS'Y	BL		キャビネットASSY	
*	1	WE873400	CABINET ASS'Y	SI		キャビネットASSY	
	2	X5399A00	DRIVER, WOOFER	JA2025		スピーカーユニット	12
	4-1	WC785400	P. C. B. ASS'Y		JUC	PCB メイン	18
	4-1	WC785500	P. C. B. ASS'Y		RTL	PCB メイン	
	4-1	WD874200	P. C. B. ASS'Y		K	PCB メイン	
	4-1	WC785600	P. C. B. ASS'Y		ABG	PCB メイン	
△	4-2	X5312A00	POWER TRANSFORMER		J	電源トランス	12
△	4-2	X5313A00	POWER TRANSFORMER		UC	電源トランス	
△	4-2	X5314A00	POWER TRANSFORMER		RTKL	電源トランス	
△	4-2	X5315A00	POWER TRANSFORMER		A	電源トランス	
△	4-2	X5316A00	POWER TRANSFORMER		BG	電源トランス	
△	4-3	WC906000	POWER CABLE	1.8m	J	電源コード	05
△	4-3	WC906100	POWER CABLE	2m	UC	電源コード	
△	4-3	WD042000	POWER CABLE	2m	R	電源コード	
△	4-3	WC906200	POWER CABLE	2m	T	電源コード	
△	4-3	WC906300	POWER CABLE	2m	K	電源コード	
△	4-3	WC906400	POWER CABLE	2m	A	電源コード	
△	4-3	WC906500	POWER CABLE	2m	B	電源コード	
△	4-3	WC906600	POWER CABLE	2m	GL	電源コード	
	4-4	CB072750	CORD STOPPER	SR-4N-4		コードストッパー	01
	4-5	WB408000	BINDING TIE	GT-100M HUA WEI		インシュロックタイ	
*	4-11	WE875600	REAR PANEL		J	リアパネル	
*	4-11	WE875700	REAR PANEL		UC	リアパネル	
*	4-11	WE875800	REAR PANEL		RTKL	リアパネル	
*	4-11	WE875900	REAR PANEL		A	リアパネル	
*	4-11	WE876000	REAR PANEL		BG	リアパネル	
	4-16	WC738200	POWER KNOB			パワーノブ	01
	4-17	WC757900	VOLUME KNOB			ボリュームノブ	01
	4-18	WC738400	COVER/P. SW			カバー/P. SW	
	4-19	WC738100	COVER/46X114			カバー/46X114	
	4-20	WC738800	PACKING 738800	COVER		パッキン 73880	
	4-21	WC785200	PACKING	REAR PANEL		パッキン	
	4-23	WC758000	PACKING 75800	COVER		パッキン 75800	
	4-24	WC739000	BUSH			ブッシュ	
	4-28	WC869800	GASKET		RTKL	ガスケット	
	4-31	21991500	PW HEAD S-TIGHT SCREW	4x8-10 MFC2BL		PWヘッドSタイトネジ	01
	4-32	EP600190	BIND HEAD B-TIGHT SCREW	3x8 MFZN2BL		バインドBタイトネジ	01
	4-33	VK865300	HEX. HEAD TAP. SCREW WITH WS	3x18 MFC2BL		座金付六角タッピングネジ	01
	4-34	EP630660	BIND HEAD P-TIGHT SCREW	3x10 MFZN2BL		バインドPタイトネジ	01
	4-35	VT669300	PW HEAD B-TIGHT SCREW	3x8-8 MFC2		PWヘッドBタイトネジ	01
	4-38	VA295800	BIND HEAD SCREW	3x8 MFZN2BL		バインド小ネジ	01
	5	WC735400	BASE			ベース	
	6	WC788700	EMBLEM			エンブレム	
	21	VF573000	BIND HEAD TAPPING SCREW	4x25 MFZN2BL		バインドTPネジ	01
			ACCESSORIES			付属品	
	201	WC947800	SUBWOOFER CABLE	1P 5m 1pc		サブウーハーケーブル	06
	202	WC731500	NONSKID PAD	M32 t2 4pcs/set		滑止パッド	03

* New Parts * 新規部品

YST-SW011

