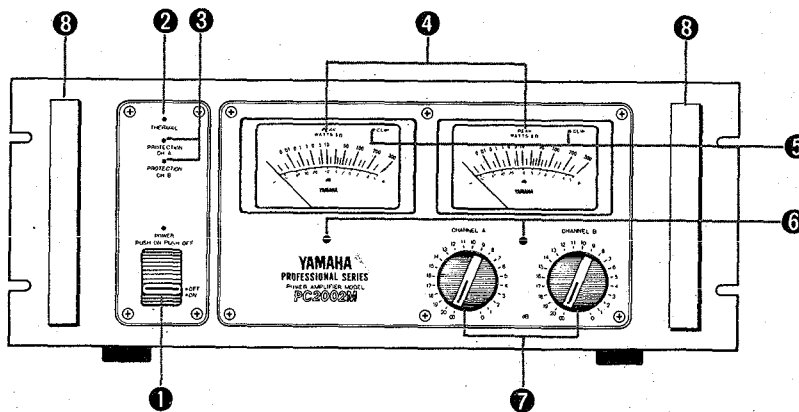


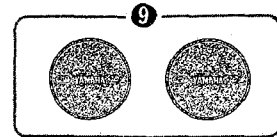
PC2002 PC2002M

POWER AMPLIFIER SERVICE MANUAL

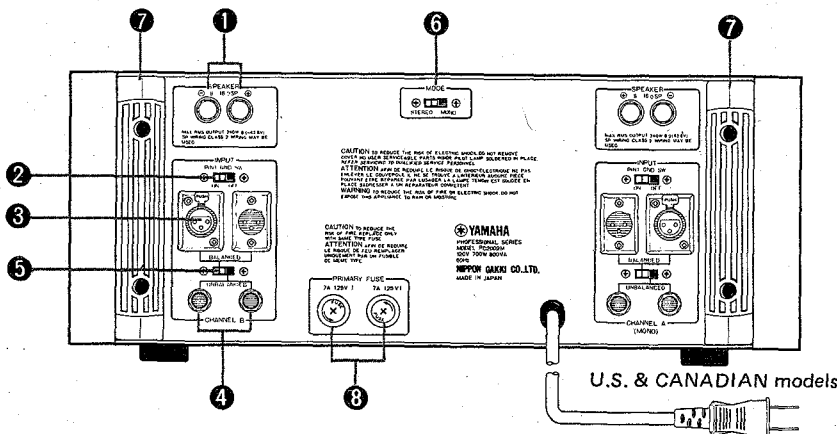
FRONT PANEL



- ① POWER Switch/Indicator
- ② THERMAL Indicator
- ③ PROTECTION Indicators
- ④ PEAK Reading Meters (PC2002M only)
- ⑤ CLIP Indicators
- ⑥ Meter Zero Adjustment Screws
- ⑦ Input Attenuators
- ⑧ Carrying Handles
- ⑨ Rubber Control Locks (Accessory)



REAR PANEL



- ① SPEAKER Output Terminals
- ② PIN 1 GND Lift Switch
- ③ Balanced XLR connectors
- ④ Unbalanced Phone Jacks
- ⑤ BALANCED/UNBALANCED Switch
- ⑥ STEREO/MONO MODE Switch
- ⑦ Power Cord Holder
- ⑧ Fuses

CONTENTS

SPECIFICATIONS	1	BLOCK DIAGRAM	4
PERFORMANCE GRAPHS	1	DIMENSIONS	4
DISASSEMBLY PROCEDURES	2	CIRCUIT BOARDS	5
CHECKS AND ADJUSTMENTS	3	SCHEMATIC DIAGRAM	10

006532

SINCE 1887



YAMAHA

NIPPON GAKKI CO., LTD. HAMAMATSU, JAPAN

2300 Printed in Japan. 11.82

PC2002/PC2002M

SPECIFICATIONS

POWER OUTPUT LEVEL

Continuous average sine wave power with less than 0.05% THD, 20 Hz to 20 kHz.
 Stereo, 8 ohms 240W + 240W
 Mono, 16 ohms 480W
 Mono, 8 ohms 700W

FREQUENCY RESPONSE

10 Hz to 50 kHz, 8 ohms, 1W +0dB
 -0.5dB

TOTAL HARMONIC DISTORTION

Stereo 8 ohms 120W
 Mono 16 ohms 240W
 1 kHz Less than 0.003%
 20 to 20 kHz Less than 0.007%
 Mono 8 ohms 350W
 20 to 20 kHz Less than 0.01%

INTER MODULATION DISTORTION

70 Hz 7 kHz mixed 4 : 1
 Stereo 8 ohms, 120W Less than 0.01%
 Mono 16 ohms, 240W Less than 0.01%

INPUT SENSITIVITY

Input level which produces 100W output into 8 ohms
 0 dB (0.775 V rms)

INPUT IMPEDANCE

Balanced and unbalanced inputs, maximum
 attenuator setting 25 kohms

8-OHM DAMPING FACTOR

1 kHz Greater than 350
 20 to 20 kHz Greater than 200

S/N RATIO

Input shorted at @12.47 kHz 110 dB
 Input shorted at @IHFA 115 dB

SLEW RATE

Stereo 8 ohms 60 V/ μ sec
 Mono 16 ohms 90 V/ μ sec

CHANNEL SEPARATION

8 ohms 120W
 1 kHz 95 dB
 8 ohms 120W
 20 to 20 kHz 80 dB

RELAY MUTING TIME

From power on 4 +2
 -1 sec

INDICATORS

Power ON LED
 Protection (Relay OFF) LED
 Thermal Overload (85 \pm 5 degrees C) LED
 Clipping (2% THD) LED
 Peak Power Meters (PC2002M only)
 -50 dB to +50 dB range 0 dB = 100W into 8 ohms

FRONT PANEL CONTROLS

Power Switch Push-ON/Push-OFF
 Input Attenuators (one per channel)
 22 detent positions in -1 dB steps
 (0, -1, -2 . . . -20, ∞)

REAR PANEL CONTROLS/CONNECTORS

Mode switch STEREO/MONO
 Pin 1 GND Switch (XLR connectors) ON/OFF
 Balanced/Unbalanced Switch
 BALANCED (XLR)/UNBALANCED (PHONE)

POWER REQUIREMENTS

U.S. & CANADIAN models AC120V, 60 Hz
 GENERAL Model AC220/240V, 50/60 Hz

DIMENSIONS

(W x D x H) 480 x 413 x 183 mm
 (18-7/8 x 16-1/4 x 7-1/4")

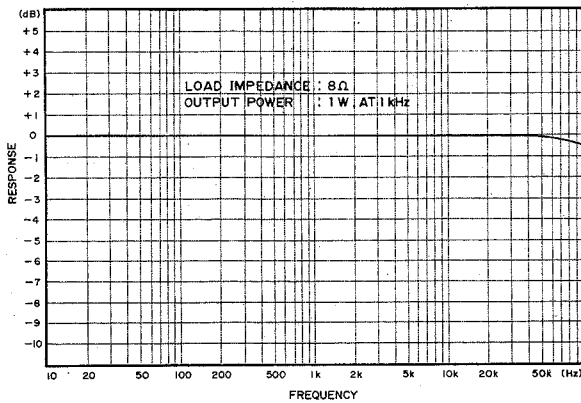
WEIGHT

PC2002 20 kg (44 pounds)
 PC2002M 20.5 kg (45 pounds)

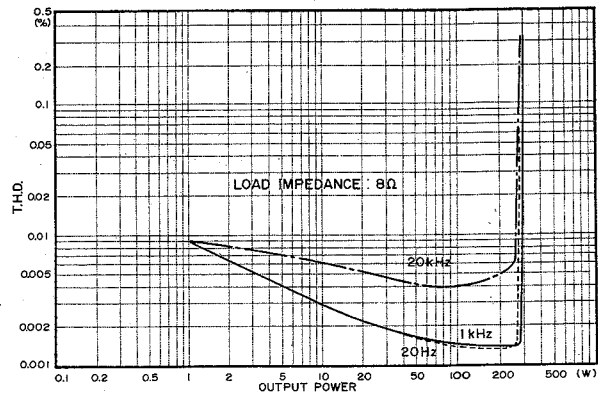
All specifications subject to change without notice.

PERFORMANCE GRAPHS(STEREO MODE)

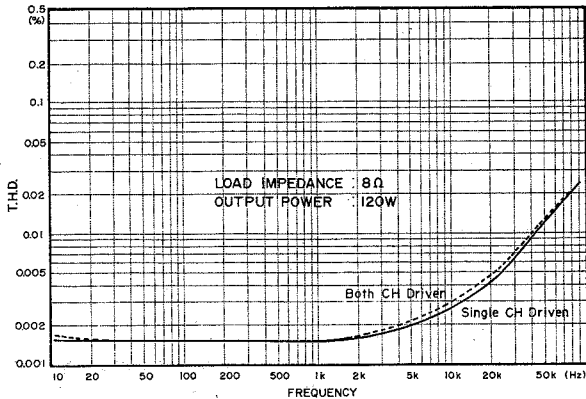
Frequency Response



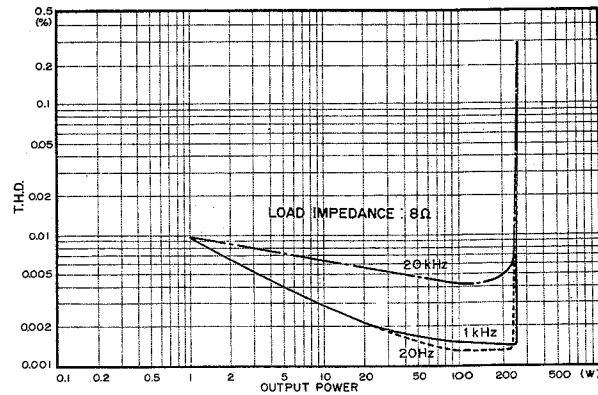
T.H.D. vs Output Power (Single channel driven)



T.H.D. vs Frequency



T.H.D. vs Output Power (Both channels driven)



DISASSEMBLY PROCEDURES

TOP COVER REMOVAL

Remove the top cover by removing 13 screws in Fig. 1.

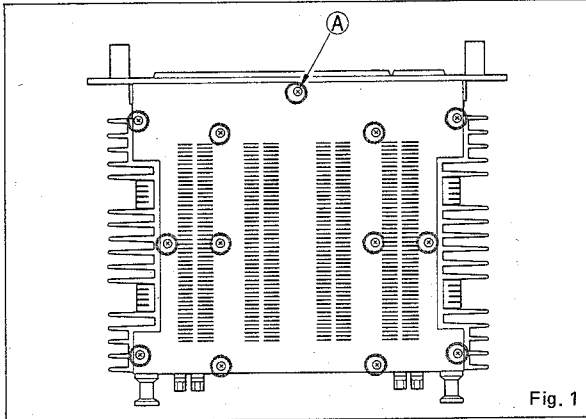


Fig. 1

*In this condition, you can adjust the DC voltages, idling current and metering, and also can check the DI board.

BOTTOM COVER REMOVAL

Remove the bottom cover by removing 15 screws in Fig. 2.

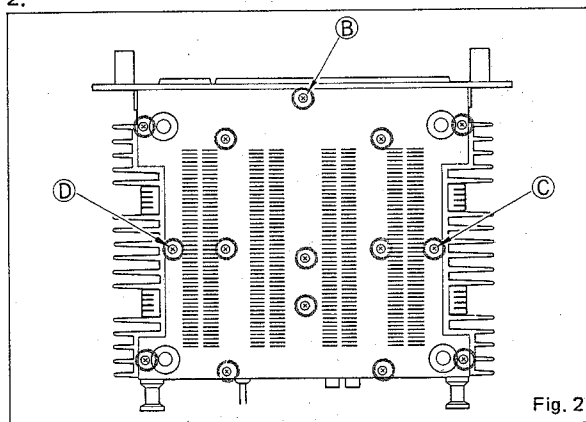


Fig. 2

*In this condition, you can replace the power cord.

FRONT PANEL REMOVAL

- Remove screws ① through ④ (8 screws in all from both side) in Fig. 3.
- Remove screw ① in Fig. 1.
- Remove screw ② in Fig. 2 and then remove the front panel.

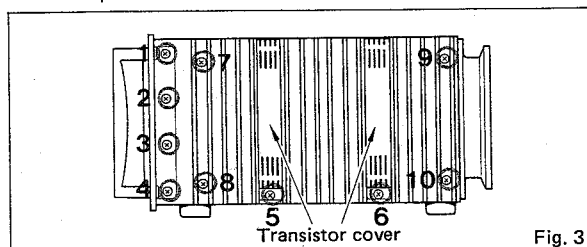


Fig. 3

*In this condition, you can remove the ID board, ATT board, power switch, LI board, MD board and meters (PC2002M only).

DC BOARD REMOVAL

- Remove the top cover.
- Remove screws ① through ④ in Fig. 4.
- Disconnect the connectors connected to the MODE switch board and then pull out the DC board gently.

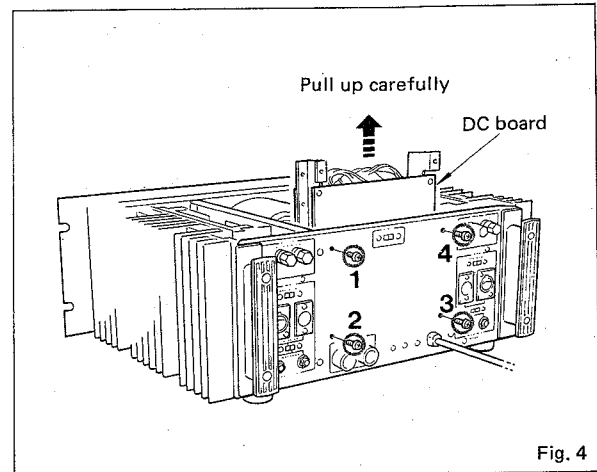


Fig. 4

PDB (PDA) AND DB (DA) BOARD REMOVAL

- Remove the top cover.
 - Remove screws ⑤ and ⑥ in Fig. 3 and then remove the transistor cover.
- *In this condition, you can check the power transistors.
- Remove screw ③ (screw ④) in Fig. 2 and screws ⑦ through ⑩ in Fig. 3, and then you can check the PDB (PDA) board by setting up the Heat sink.
 - Remove screws ① through ④ in Fig. 5 and then remove the PDB (PDA) board. You can check the DB (DA) board.

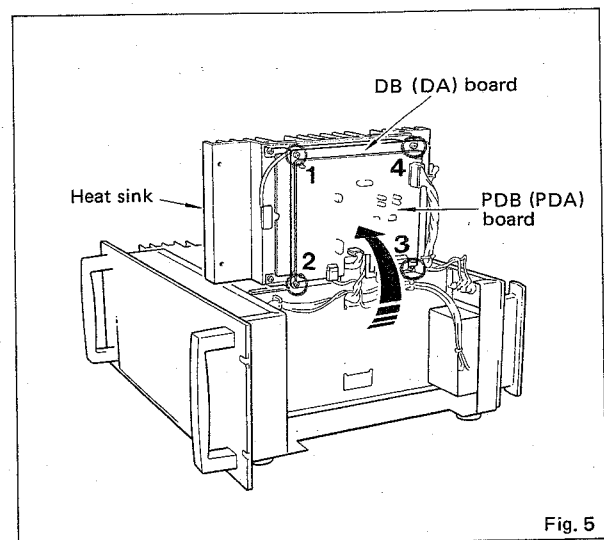


Fig. 5

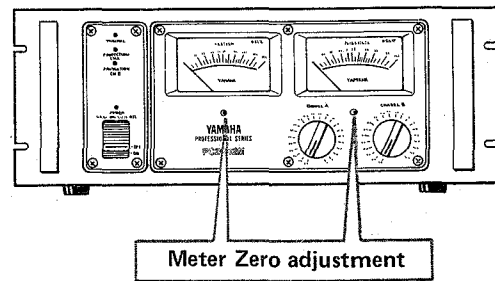
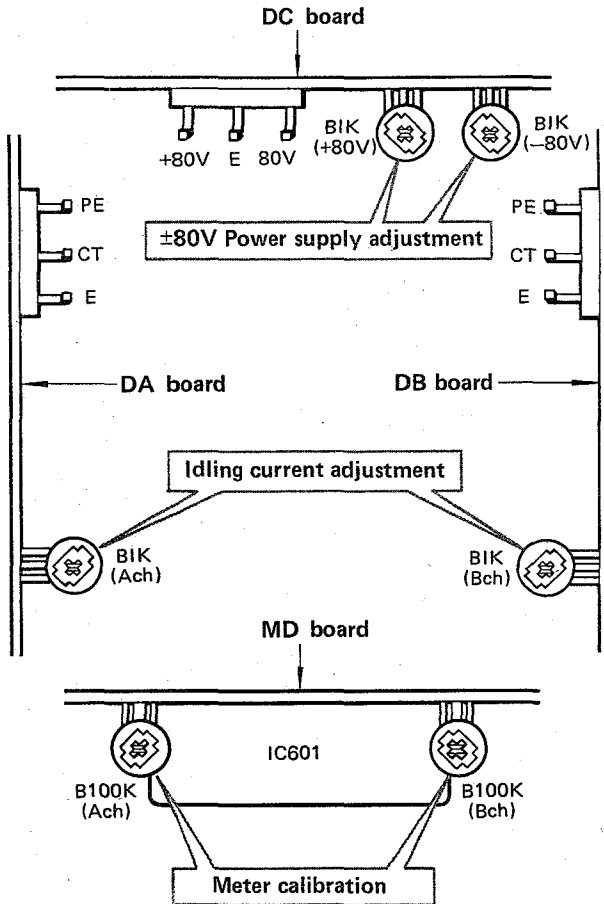
CHECKS AND ADJUSTMENTS

BEFORE ADJUSTING

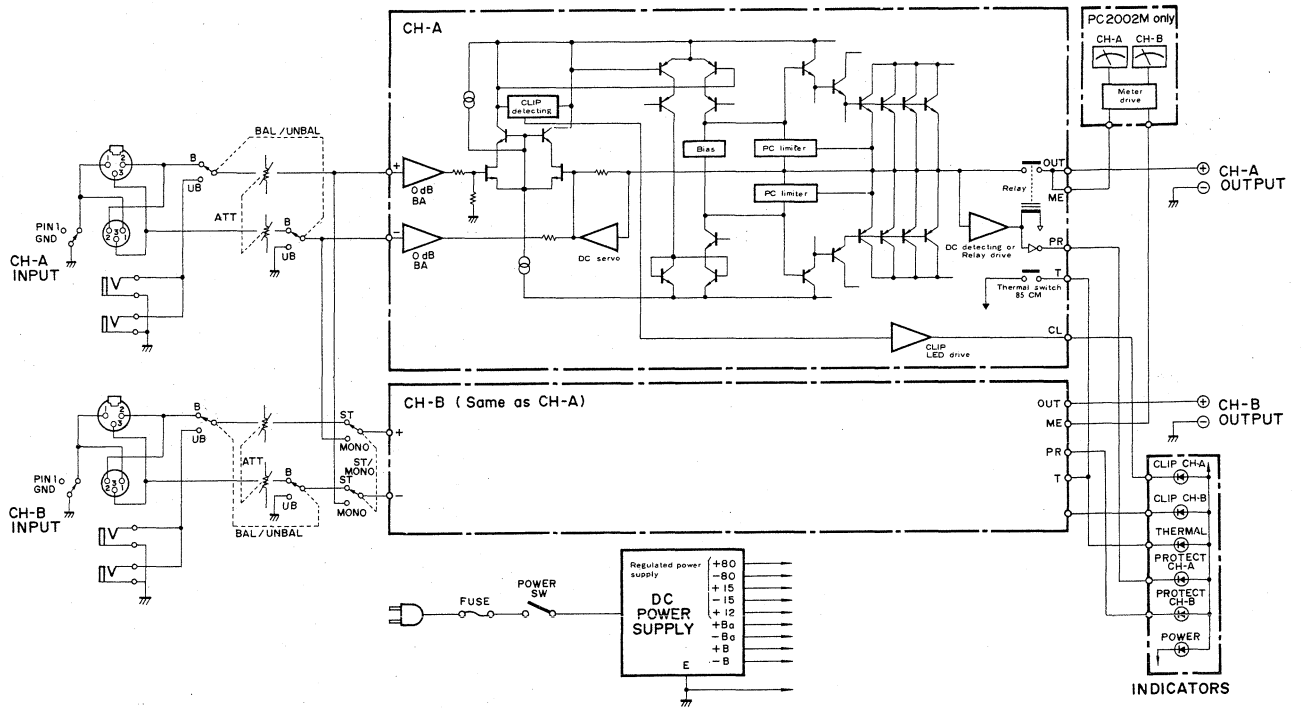
1. Confirm that the power voltage is within AC120V \pm 10%, 60Hz.
2. Be sure waiting for about 5 minutes after turning the power switch on, in order to make the main amp's operation stable.
3. When replacing parts, discharge by shorting between the terminals of capacitor with 8 Ω 100W resistor.

Step	Adjustment item	Adjust	Test point	Ratings	Remarks
1	\pm 80V power supply adjustment	DC board	DC board, +80 ~ E, -80 ~ E	+80V \pm 0.5V, -80V \pm 0.5V	Non-load
2	Idling current adjustment	DA and DB boards, B1K Ω pot.	DA and DB C. board, CT ~ E	11mV \pm 0.5mV	Non-signal
*3	Meter Zero adjustment	Front panel, meter Zero adjustment screws	Meters	Adjust so that the meter deflects to 0	Non-signal
*4	Meter calibration	MD board, B100K Ω pot.	Speaker terminals (Lch and Rch), dummy load of 8 Ω 100W	Meter points at 0dB	1kHz, 100W output
5	DC offset		DA and DB boards, CT ~ E	Within 0mV \pm 10mV	

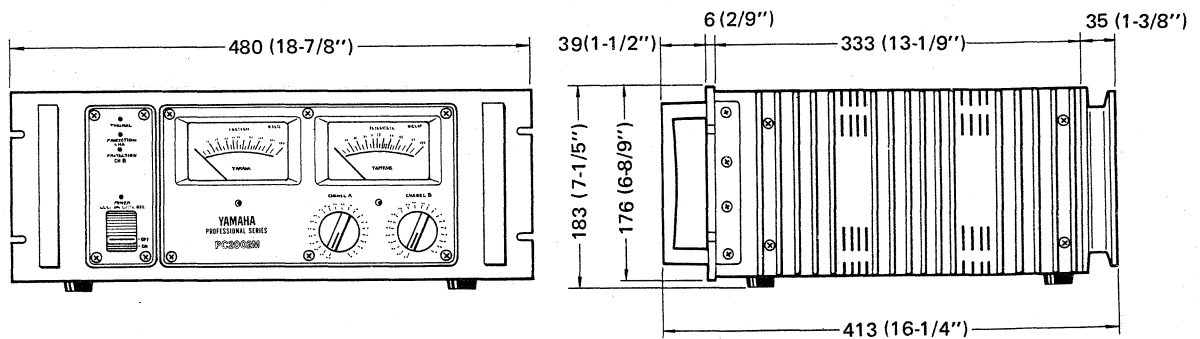
*PC2002M only.



BLOCK DIAGRAM

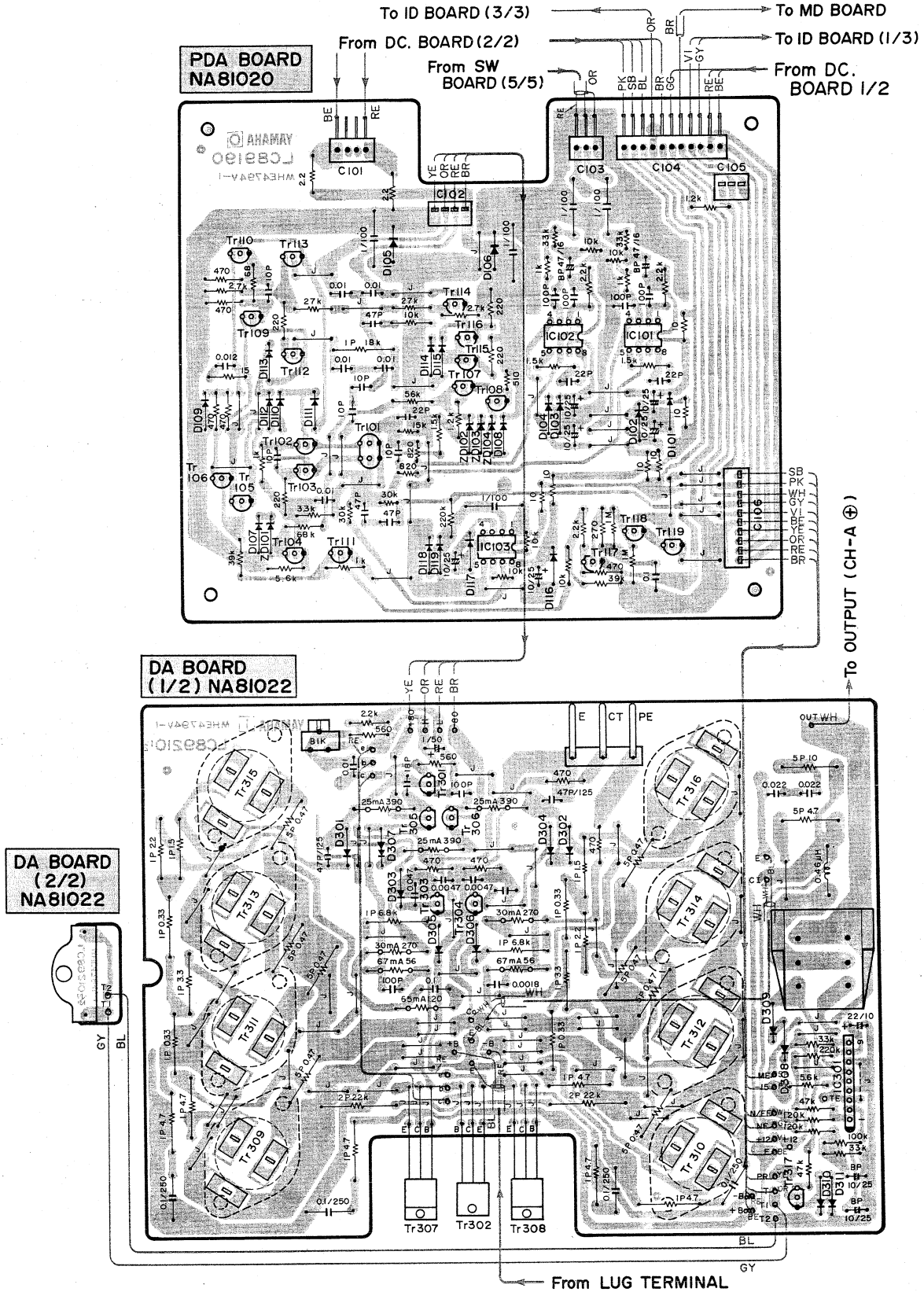


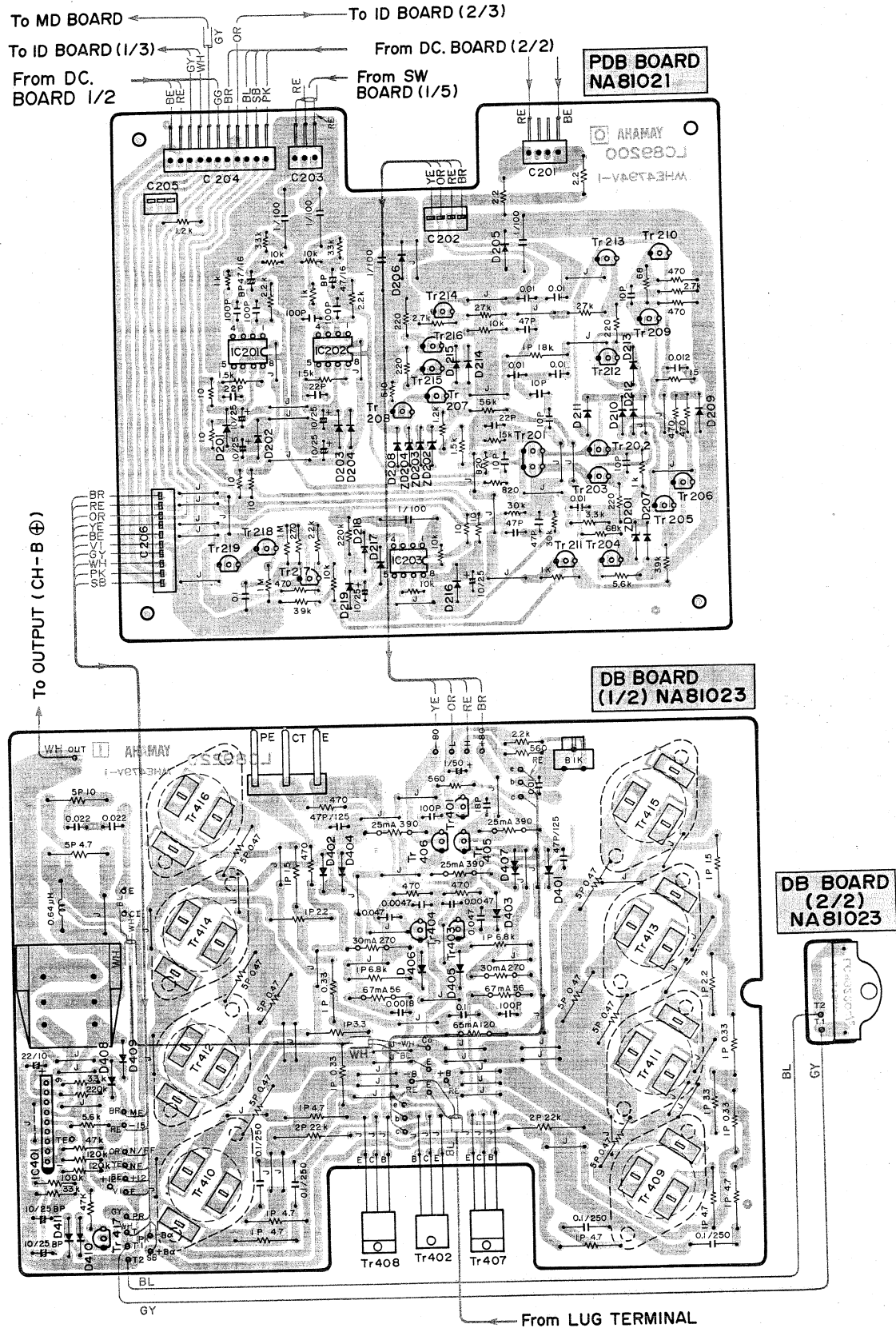
DIMENSIONS

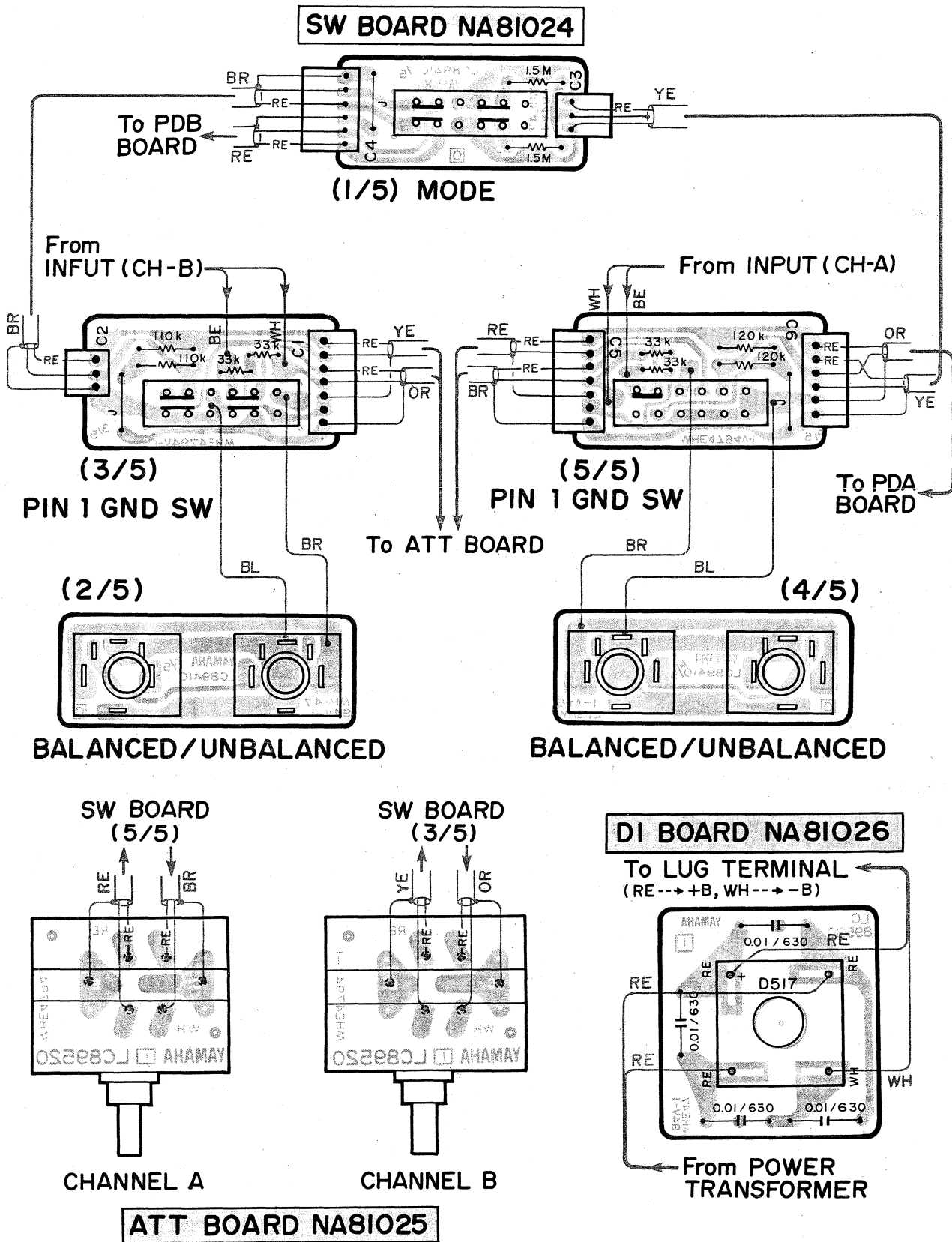


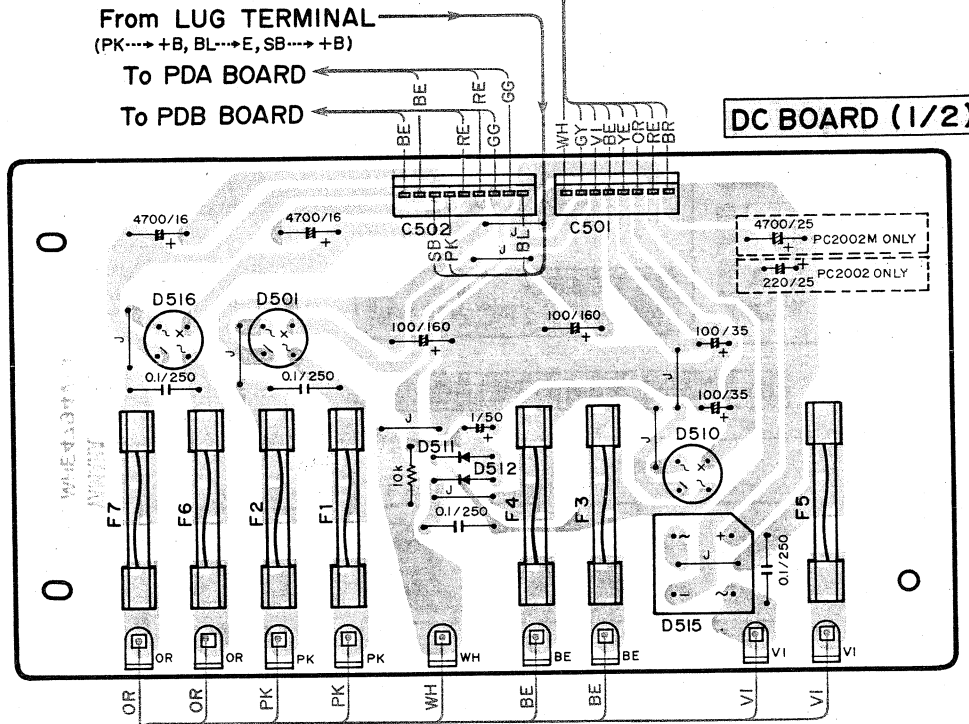
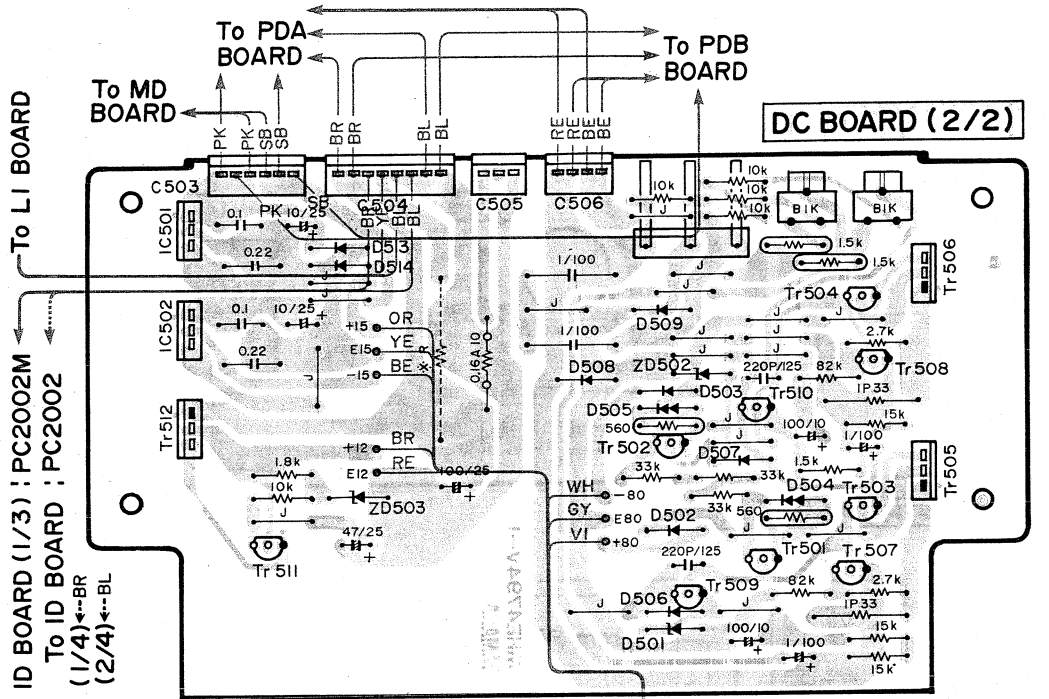
WEIGHT: PC2002 20.0 kg (44 lbs)
 PC2002M 20.5 kg (45 lbs)
 UNIT: mm (Inch)

CIRCUIT BOARDS(Parts side)









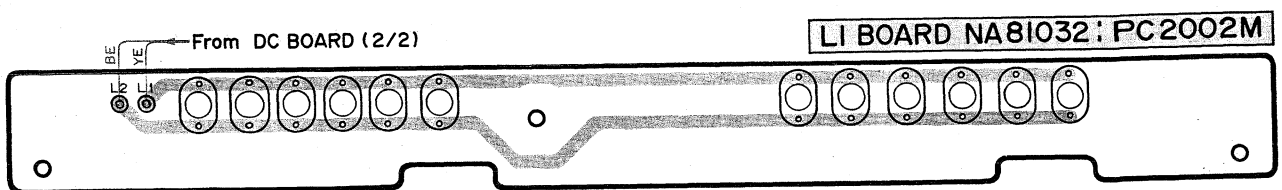
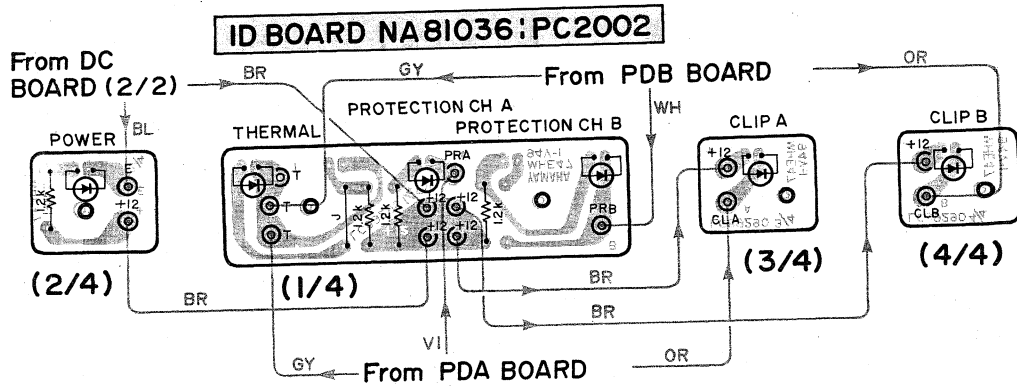
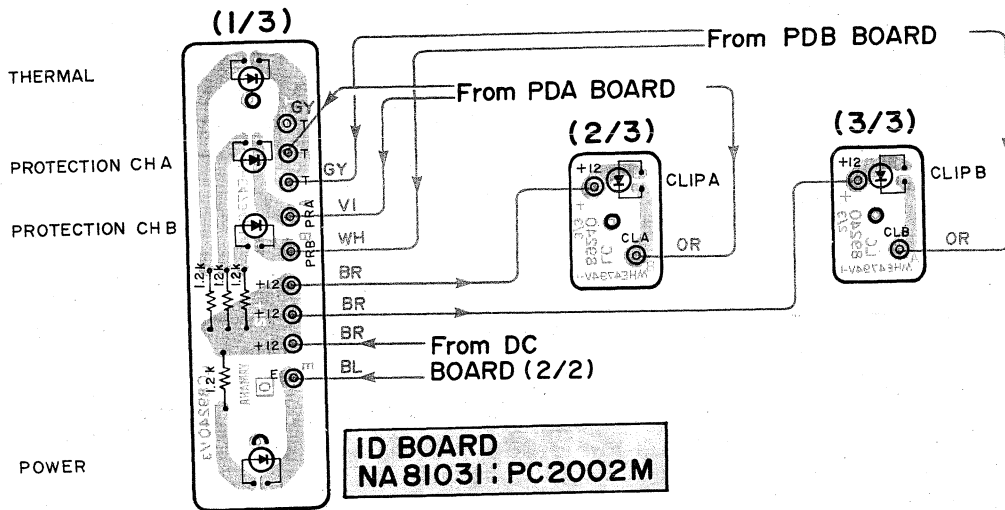
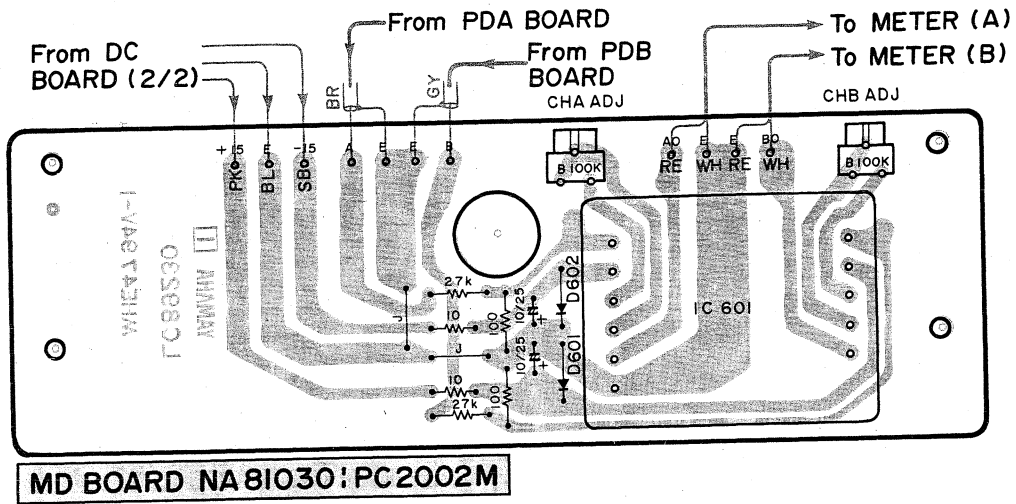
DC BOARD (1/2), (2/2)
 U.S. & CANADIAN { NA81028:PC2002M
 NA81034:PC2002
 GENERAL { NA81029:PC2002M
 NA81035:PC2002

DC C. BOARD Fuse

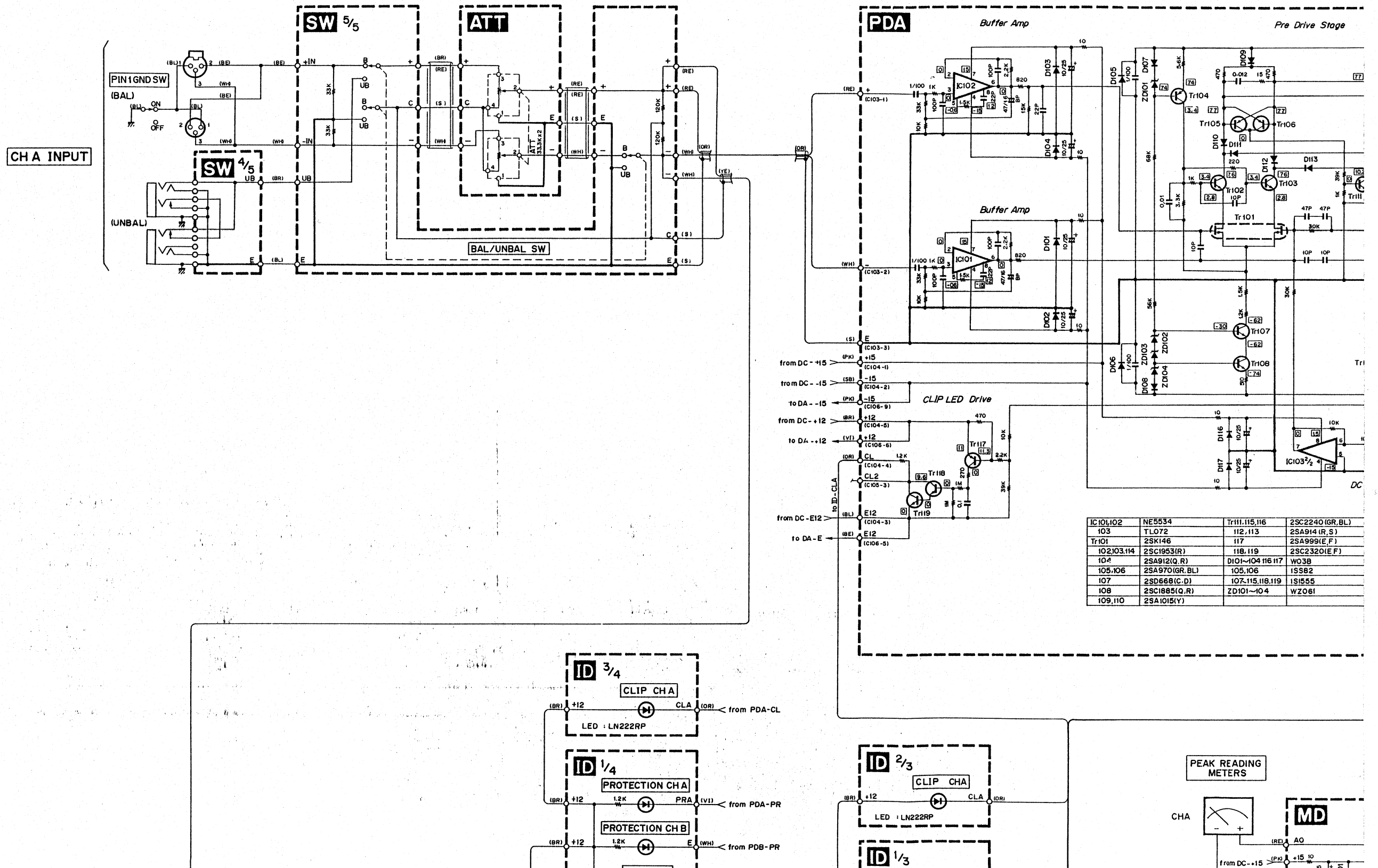
MODEL	F1, F2	F3, F4	F5	F6, F7
U.S. & CANADIAN	Ⓜ ST-4 1A 250V	Ⓜ ST-4 500mA 250V	Ⓜ ST-4 2A 250V	Ⓜ ASB 1.5A 250V
GENERAL	Ⓢ T1A 250A	Ⓢ T500mA 250V	Ⓢ T2A 250V	Ⓢ T1.25A 250V

	PC2002M	PC2002
*R	5P0.47	OPEN

PC2002/PC2002M

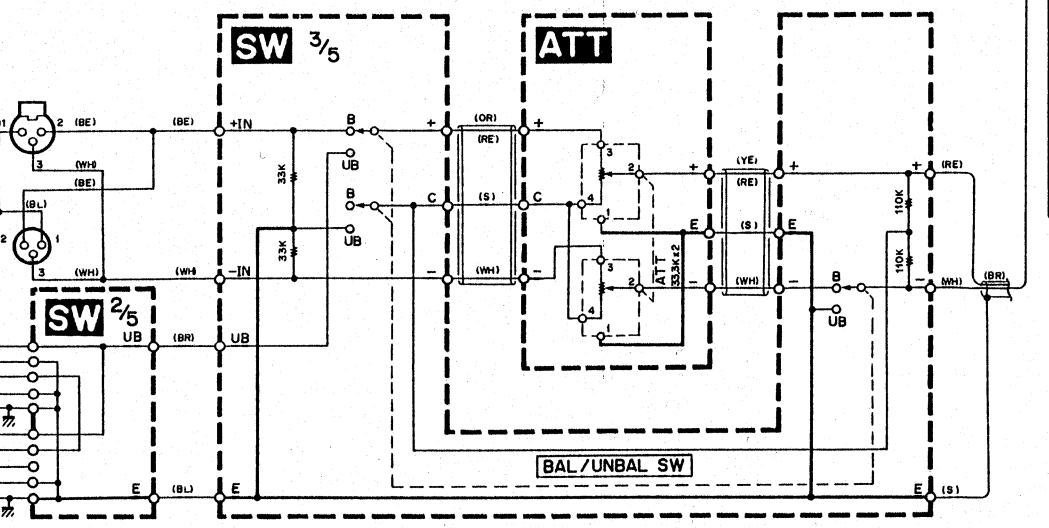
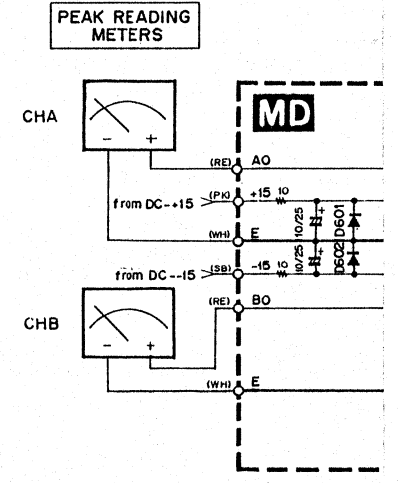
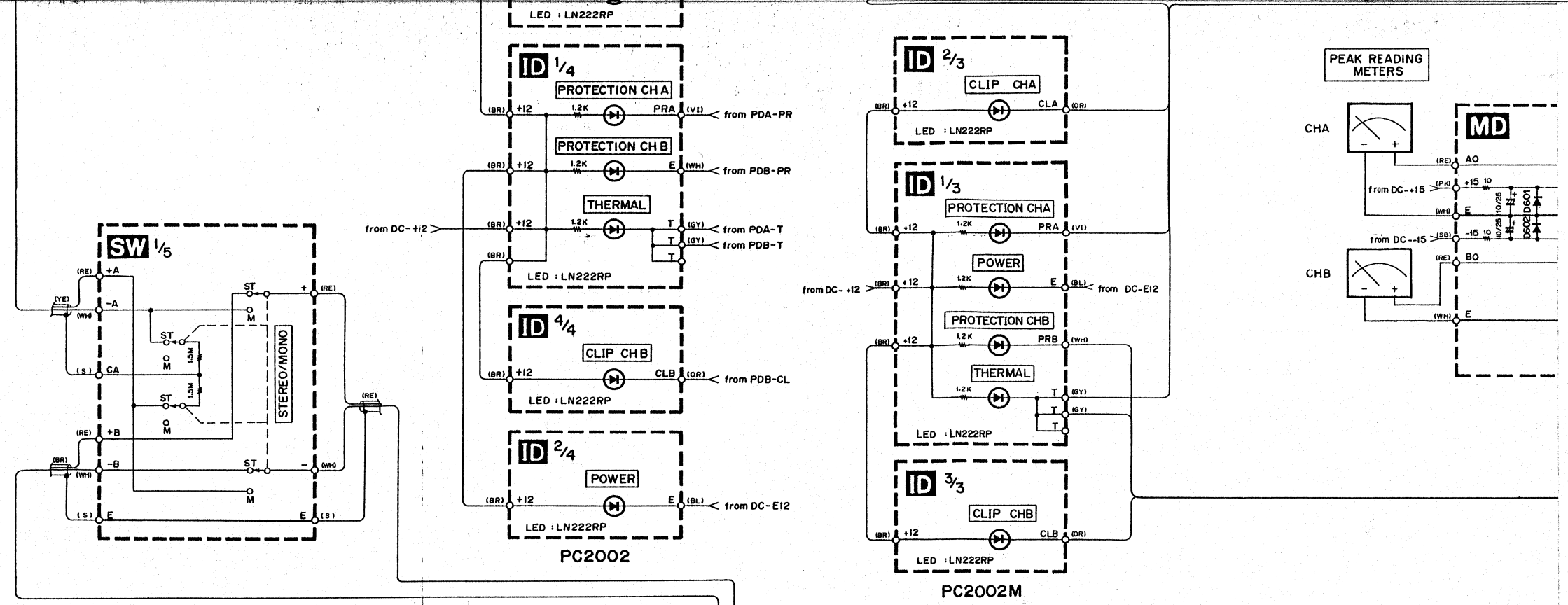


SCHEMATIC DIAGRAM

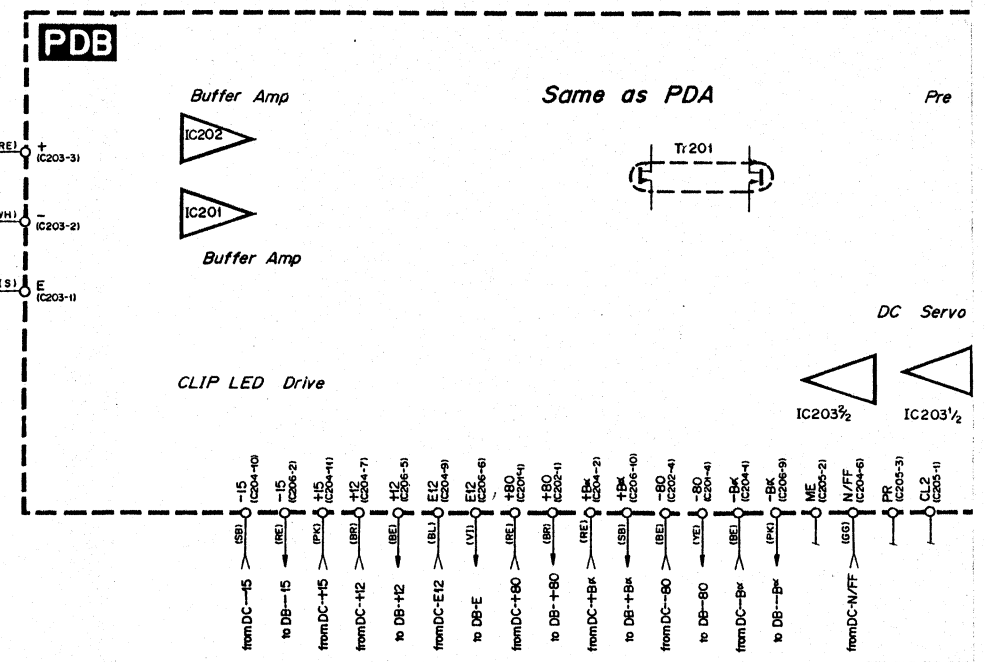


IC101,102	NE5534	Tr111,115,116	2SC2240(GR, BL)
103	TLO72	112,113	2SA914(R, S)
Tr101	2SK146	117	2SA999(E, F)
102,103,114	2SC1853(R)	118,119	2SC2320(E, F)
104	2SA912(Q, R)	D101-104, 116, 117	W03B
105,106	2SA970(GR, BL)	105,106	1SS82
107	2SD668(C, D)	107,115,118,119	1S1555
108	2SC1885(Q, R)	ZD101-104	WZ061
109,110	2SA1015(Y)		

5
6
7
8
9
10



CH B INPUT



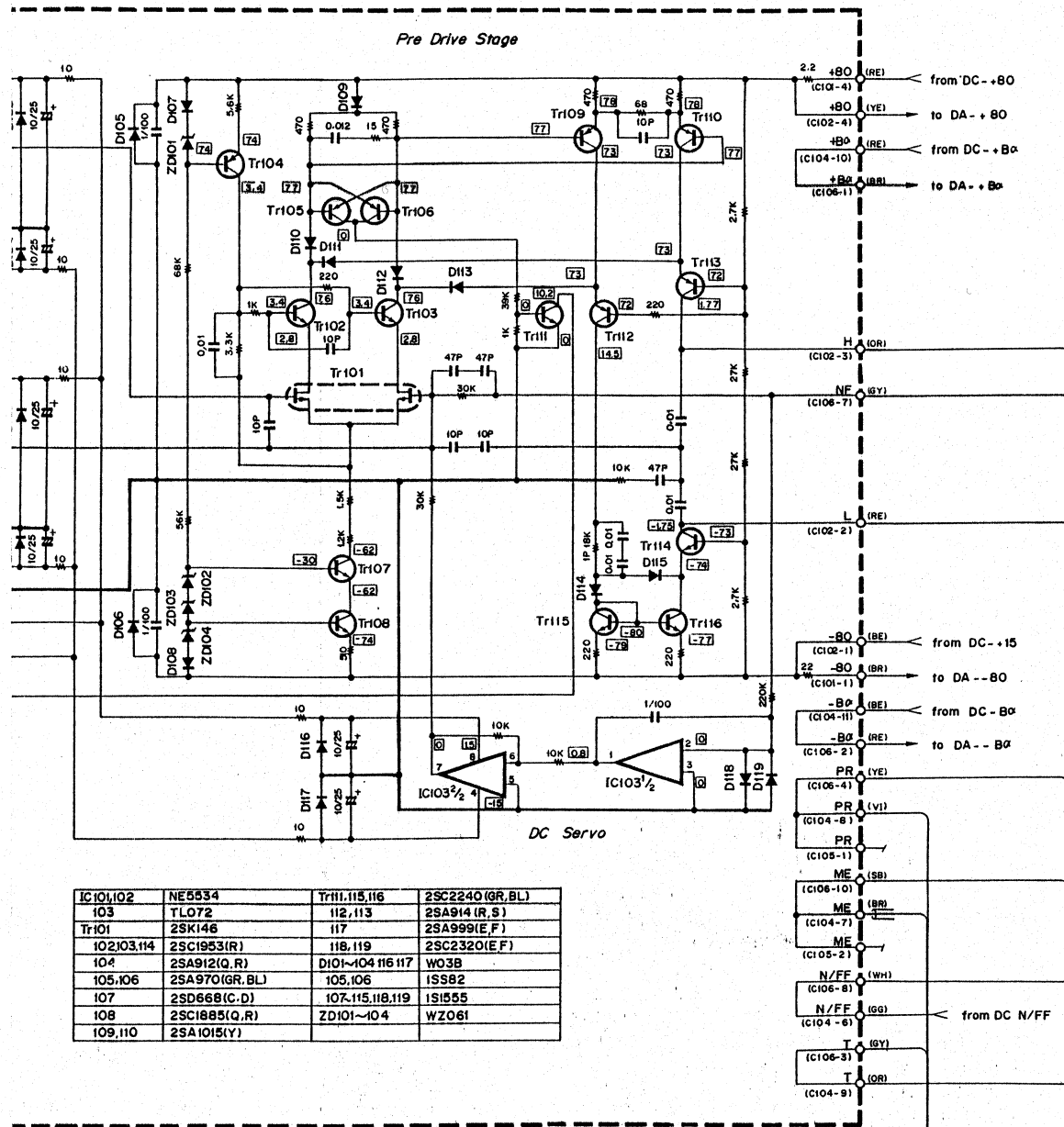
SEMICONDUCTOR LEAD IDENTIFICATION

2SA912 (Q, R) 2SA970 (GR, BL) 2SC1885 (Q, R) 2SA1015 (Y) 2SC2240 (GR, BL) 2SA999 (E, F)	2SC2320 (E, F) 2SC1815	2SC1953 (R) 2SD668 (C, D) 2SA914 (R, S)	μPC7815 μPC7915	W03B ISS82 IS1555	WZ061 ISS82 WZ130	ID4B1	S4VB	NE5534 TL072
2SC2238B 2SA968B 2SA1624 (O, Y) 2SA814 (O, Y) 2SD526 (R, O)	2SC2608 2SA1117	2SK146	VD1212	10D2	KBPC2504	TA7317P		

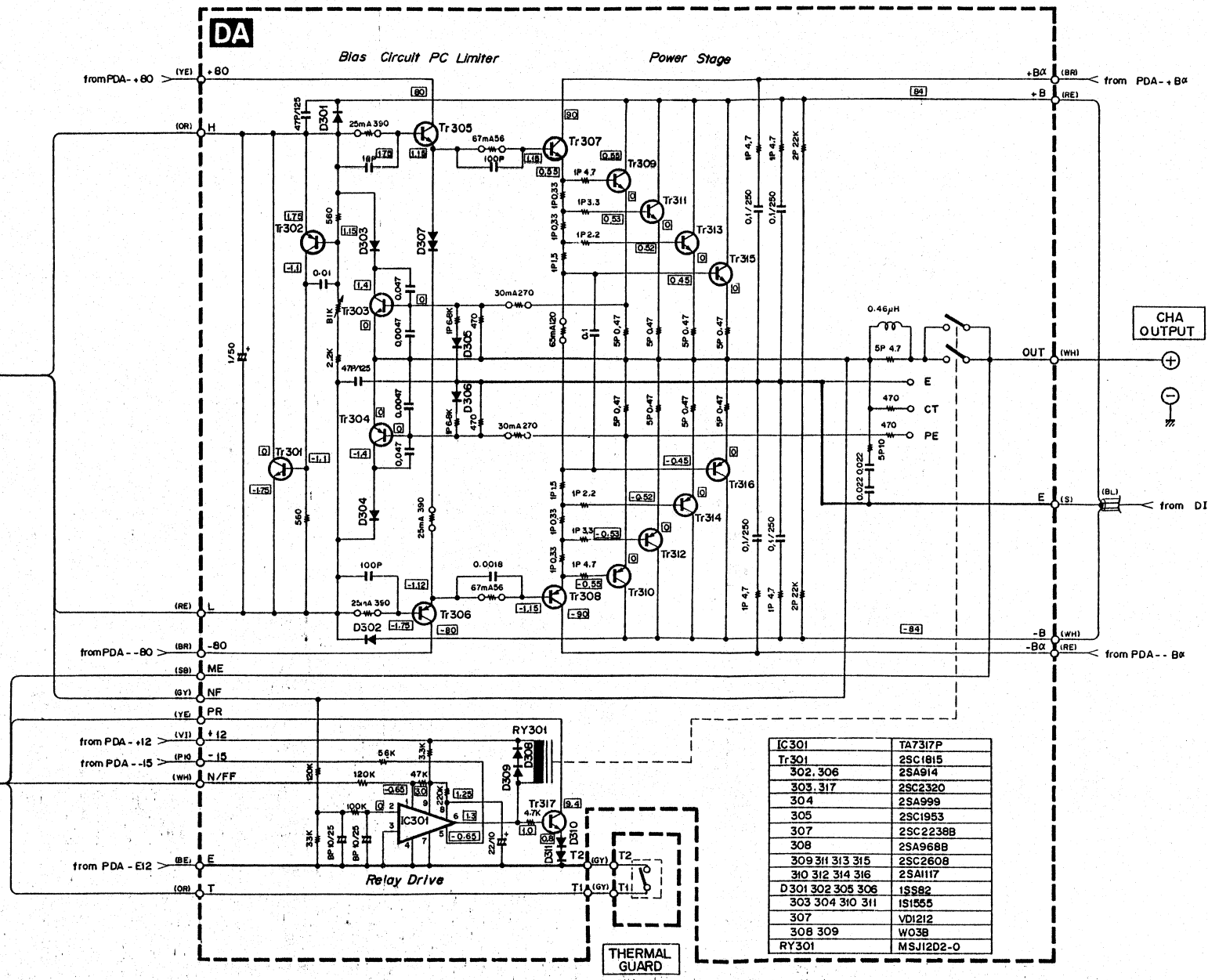
- WIRE COLOR ABBREVIATIONS
- BL ▶ Black
 - BR ▶ Brown
 - RE ▶ Red
 - OR ▶ Orange
 - YE ▶ Yellow
 - GR ▶ Green
 - BE ▶ Blue
 - VI ▶ Violet
 - GY ▶ Gray
 - WH ▶ White
 - SB ▶ Sky Blue
 - PK ▶ Pink
 - GG ▶ Gras Green

* All voltages measured with a 10MΩ/V DC electric voltmeter, under no-signal condition.

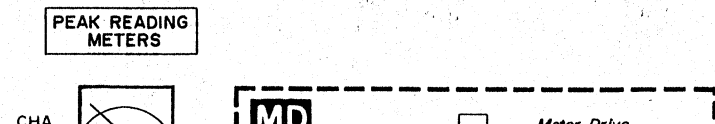
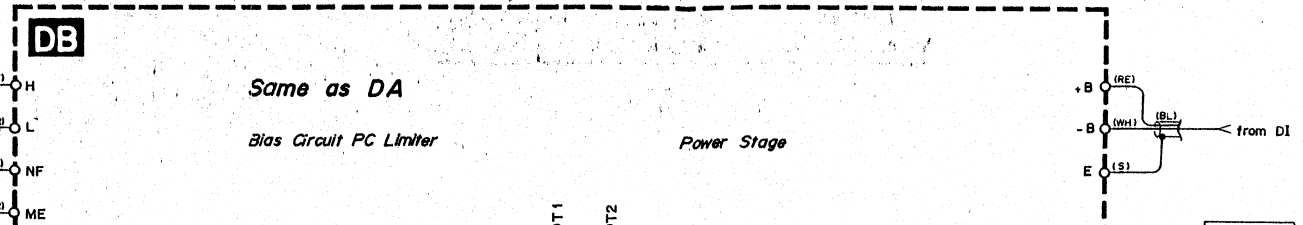
10



IC101,102	NE5534	Tr11,115,116	2SC2240 (GR, BL)
103	TL072	112, 113	2SA914 (R, S)
Tr101	2SK146	117	2SA999 (E, F)
102,103,114	2SC1953 (R)	118, 119	2SC2320 (E, F)
104	2SA912 (Q, R)	D101-104, 116, 117	W03B
105, 106	2SA970 (GR, BL)	105, 106	1SS82
107	2SD668 (C, D)	107, 115, 118, 119	1S1555
108	2SC1885 (Q, R)	ZD101-104	WZ061
109, 110	2SA1015 (Y)		



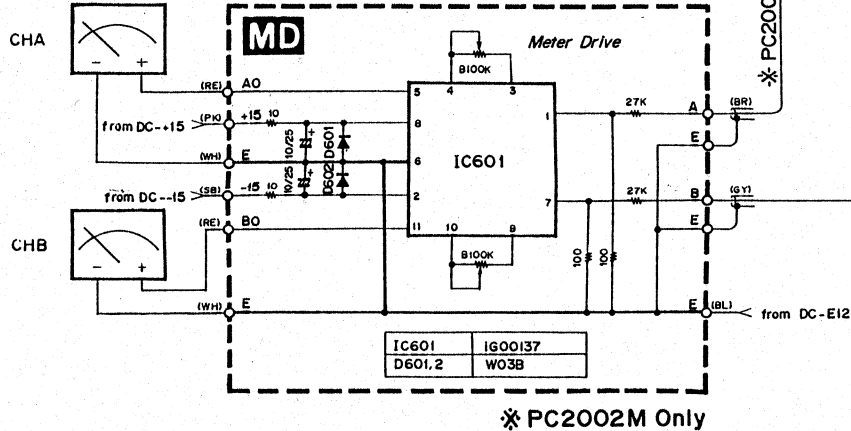
IC301	TA7317P
Tr301	2SC1815
302, 306	2SA914
303, 317	2SC2320
304	2SA999
305	2SC1953
307	2SC2238B
308	2SA968B
309, 311, 313, 315	2SC2608
310, 312, 314, 316	2SA1117
D301, 302, 305, 306	1SS82
303, 304, 310, 311	1S1555
307	VD1212
308, 309	W03B
RY301	MSJ1202-0



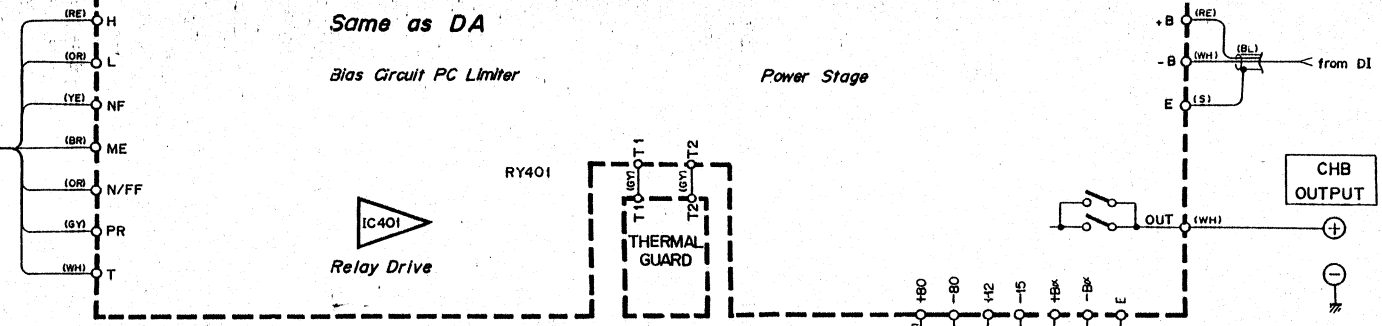
PC2002M Only

to ID - PRA.T

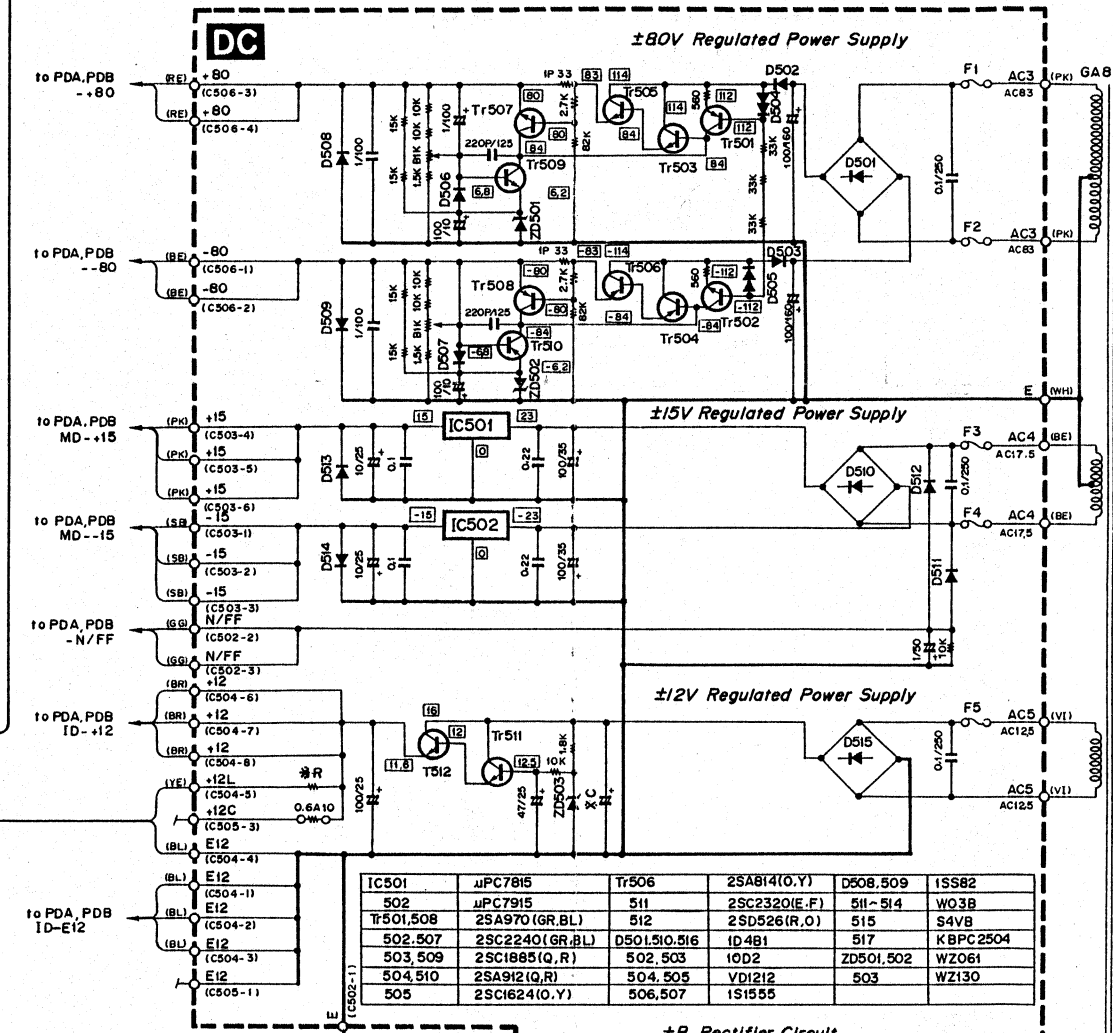
PEAK READING METERS



DB



* PC2002M Only

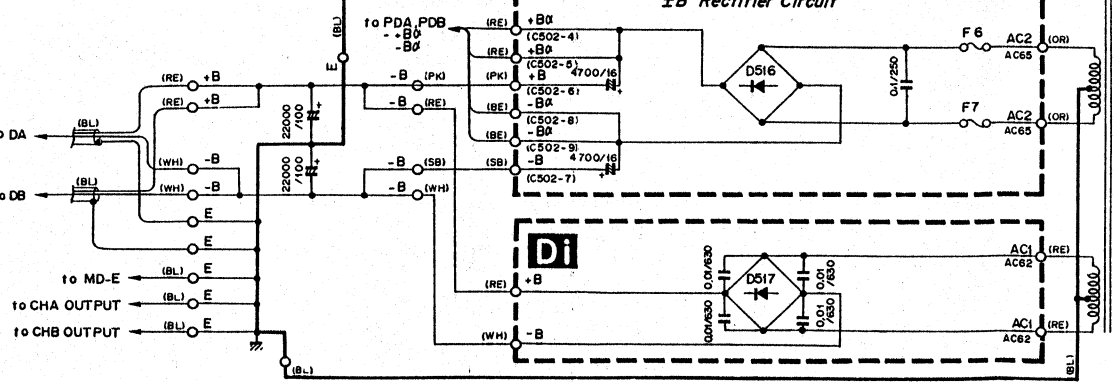
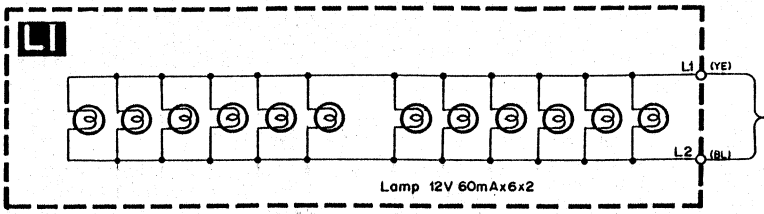
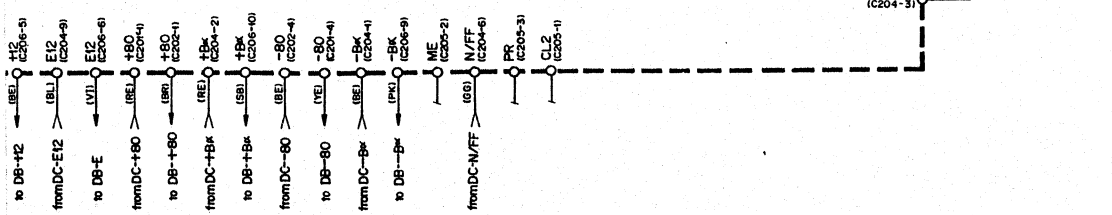
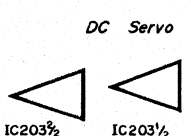
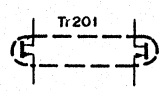


U.S. & Canadian Models

General Model

Same as PDA

Pre Drive Stage



	U.S. & CANADIAN	GENERAL
F1, F2	Ⓜ ST-4 1A 250V	Ⓞ T1A 250V
F3, F4	Ⓜ ST-4 500mA 250V	Ⓞ T500mA 250V
F5	Ⓜ ST-4 2A 250V	Ⓞ T2A 250V
F6, F7	Ⓜ ASB 1.5A 250V	Ⓞ T1.25A 250V

	PC2002M	PC2002
*C	4700/25	220/25
*R	5P0.47	Open

Blue
Green

PARTS LIST

PC2002 PC2002M

CONTENTS

ELECTRICITY.....	1
TOTAL ASSEMBLY.....	5
PANNEL.....	7
MAIN CHASSIS.....	9
REAR PANNEL.....	11
MAIN RADIATOR L.....	13
MAIN RADIATOR R.....	15

SINCE 1887



YAMAHA

NIPPON GAKKI CO., LTD. HAMAMATSU, JAPAN

006532

'82,11 2.3K ① Printed in Japan

■ PARTS LIST (ELECTRICITY)

REF. NO.	PART NO.	DESCRIPTION	部 品 名	REMARKS	ランク	標準小売価格
X	NA810200	CIRCUIT BOARD, PDA	#8919	PDAシート		
X	NA810210	CIRCUIT BOARD, PDB	#8920	PDBシート		
	FC126100	METALIZED MYLAR CAP.	1 μ F 100V	MMコン		
	FD151100	STYROL CAP.	10 pF	スチコン		
	FD151220	STYROL CAP.	22 pF	スチコン		
	FD151470	STYROL CAP.	47 pF	スチコン		
	FD152100	STYROL CAP.	100 pF	スチコン		
	UJ447100	ELECTROLYTIC CAP.	10 μ F 25V	ケミコン		
	UK337470	ELECTROLYTIC CAP. (BP)	47 μ F 16V	BPケミコン		
	HU075510	METAL FILM RESISTOR	510 Ω	金属被膜抵抗		
	HU075820	METAL FILM RESISTOR	820 Ω	金属被膜抵抗		
	HU076100	METAL FILM RESISTOR	1K Ω	金属被膜抵抗		
	HU077100	METAL FILM RESISTOR	10K Ω	金属被膜抵抗		
	HU077150	METAL FILM RESISTOR	15K Ω	金属被膜抵抗		
	HU077300	METAL FILM RESISTOR	30K Ω	金属被膜抵抗		
	HU077330	METAL FILM RESISTOR	33K Ω	金属被膜抵抗		
	HL317180	METAL OXIDE FILM RESISTOR	1P 18K Ω	酸化抵抗		
	HW494100	FUSE RESISTOR	1/4P 100 Ω	ヒューズ抵抗		
	IA091210	TRANSISTOR	2SA912	トランジスタ	Q, R	
	IA091430	TRANSISTOR	2SA914	トランジスタ	R, S	
	IA097000	TRANSISTOR	2SA970	トランジスタ	GR, BL	
	IA099910	TRANSISTOR	2SA999	トランジスタ	E, F	
	IA101520	TRANSISTOR	2SA1015 (Y)	トランジスタ		
	IC188510	TRANSISTOR	2SC1885	トランジスタ	Q, R	
	IC195340	TRANSISTOR	2SC1953	トランジスタ	R, S	
	IC224000	TRANSISTOR	2SC2240	トランジスタ	GR, BL	
	IC232010	TRANSISTOR	2SC2320	トランジスタ	E, F	
	ID066800	TRANSISTOR	2SD668	トランジスタ	C, D	
	IE102200	DUAL FET	2SK146 (BL)	デュアルFET		
	IF000040	DIODE	1S1555	ダイオード		
	IF001400	DIODE	1SS82	ダイオード		
	IH000720	DIODE	W03B	ダイオード		
	IF000320	DIODE	WZ061	ダイオード		
X	IG076600	IC	TL072CP	IC		
X	IG076700	IC	NE5534	IC		
	LB300730	BASE PIN	3P	2.5ピッチベースピン	TOP ENTRY	
	LB400570	CONNECTOR BASE PIN	4P	2.5ピッチベースピン	TOP ENTRY	
	LB602470	BASE PIN	10P	2.5ピッチベースピン	TOP ENTRY	
	LB300750	CONNECTOR BASE PIN	3P	2.5ピッチベースピン	SIDE ENTRY	
	LB400590	CONNECTOR NH	4P	NHコネクタ	SIDE ENTRY	
	LB603100	NH CONNECTOR	11P (S, E)	NHコネクタ		
X	NA810220	CIRCUIT BOARD, DA	#8921	DAシート		
X	NA810230	CIRCUIT BOARD, DB	#8922	DBシート		
	FD151180	STYROL CAP.	18PF 50V	スチコン		
	FD152100	STYROL CAP.	100PF 50V	スチコン		
	FF061470	STYROL CAP.	47PF 125V	スチコン		
	UJ137220	ELECTROLYTIC CAP.	22 μ F 16V	ケミコン		
	UJ166100	ELECTROLYTIC CAP.	1 μ F 50V	ケミコン		
	UK347100	BIPOLAR ELECTROLYTIC CAP.	10 μ F 25V	バイポーラケミコン		
	FZ000680	METALIZED MYLAR CAP.	250V 0.1 μ F	MMコン		

X New Parts (新規部品)

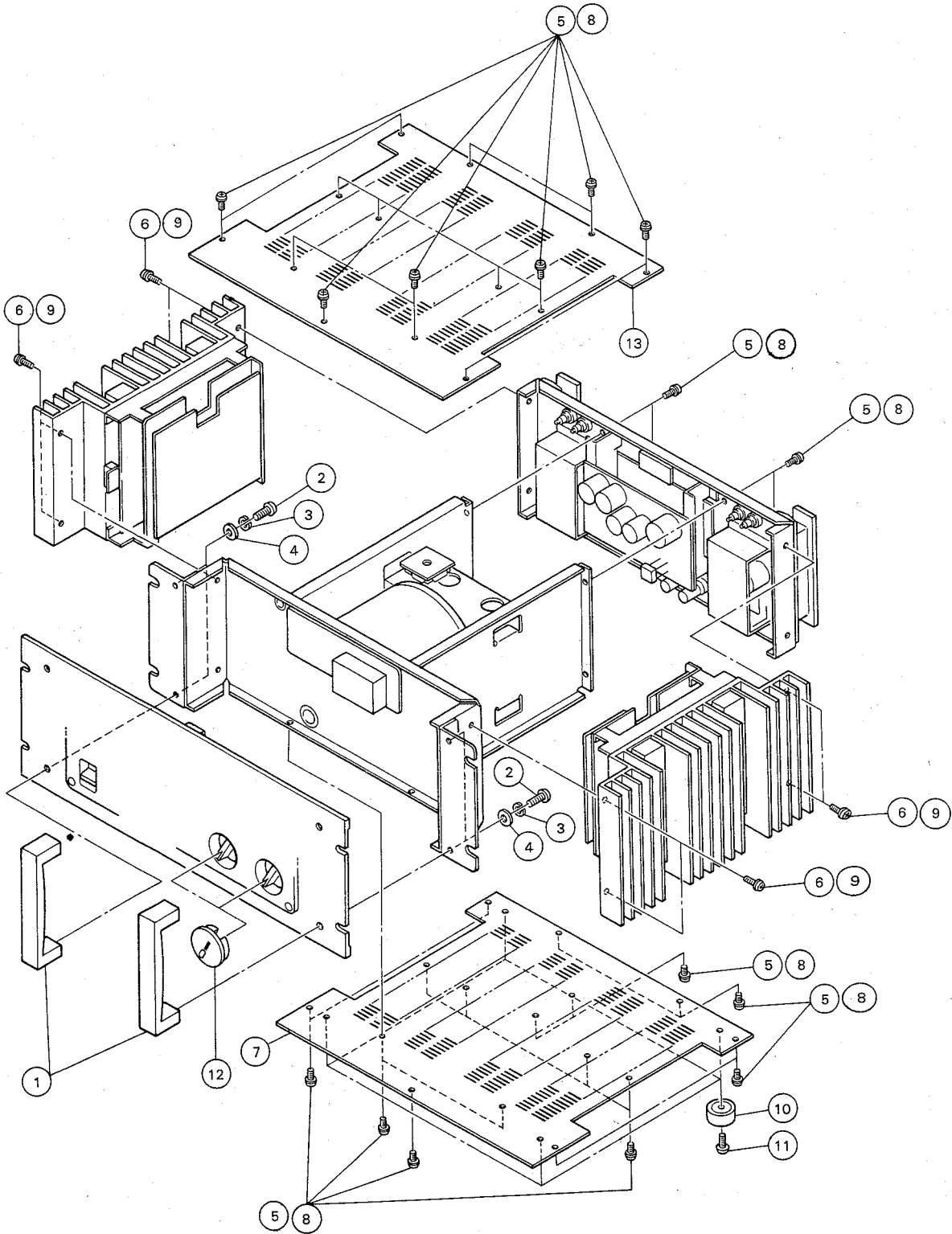
REF. NO.	PART NO.	DESCRIPTION	部 品 名	REMARKS	ランク	標準小売価格
	HL312330	METAL OXIDE FILM RESISTOR	1P 0.33Ω	酸金抵抗		
	HL313150	METAL OXIDE FILM RESISTOR	1P 1.5Ω	酸金抵抗		
	HL313220	METAL OXIDE FILM RESISTOR	1P 2.2Ω	酸金抵抗		
	HL313330	METAL OXIDE FILM RESISTOR	1P 3.3Ω	酸金抵抗		
	HL313470	METAL OXIDE FILM RESISTOR	4.7Ω 1P	酸金抵抗		
	HL316680	METAL OXIDE FILM RESISTOR	1P 6.8KΩ	酸金抵抗		
	HL327220	METAL OXIDE FILM RESISTOR	2P, 22KΩ	不燃性酸金抵抗		
	HM552470	WIRE WOUND RESISTOR	0.47Ω 5W	セメント抵抗		
	HM553470	CEMENT HODED RESISTOR	5P4.7Ω	セメント抵抗		
*	HM554100	WIRE WOUND RESISTOR	5P 10Ω	セメント抵抗		
*	HW995390	FUSE RESISTOR	25mA 390Ω	ヒューズ抵抗	FN19391	
	HW995270	FUSE RESISTOR	30mA 270Ω	ヒューズ抵抗	FN19271	
	HW994560	FUSE RESISTOR	67mA 56Ω	ヒューズ抵抗	FN19560	
	HW994220	FUSE RESISTOR	110mA 22Ω	ヒューズ抵抗	FN19220	
	HY000250	VARIABLE RESISTOR	B1KΩ	メタルグレースVR		
	GD900300	COIL	0.46μH	空芯コイル		
	IA091430	TRANSISTOR	2SA914	トランジスタ	R, S	
	IA099910	TRANSISTOR	2SA999	トランジスタ	E, F	
	IC181520	TRANSISTOR	2SC1815	トランジスタ	Q, R	
	IC195340	TRANSISTOR	2SC1953	トランジスタ	R	
	IC232010	TRANSISTOR	2SC2320	トランジスタ	E, F	
	IF000040	DIODE	1S1555	ダイオード		
	IF001400	DIODE	1SS82	ダイオード		
	IF000790	VARISTOR DIODE	MV12	バリスタ		
	IH000720	DIODE	W03B	ダイオード		
	IG034800	IC	TA7317P	IC	RELAY DRIV	
*	CB825680	WIRE STOPPER	#97	ワイヤークリップ		
	LA002870	METAL EYELET		パワートランジスタ用ハトメ		
	LB300300	CONNECTCON-WAFER	3P	コネクタコンウエハー		
*	KC000810	RELAY	MSJ12D2-0	リレー		
	LB400560	CONNECTOR HOUSING	4P	2.5ピッチハウジング		
	LB602450	BASE PIN	10P	2.5ピッチベースピン		
	BB004430	CONTACT		2.5ピッチコンタクトピン		
*	NA810240	CIRCUIT BOARD, SW	#8941	SWシート		
	HU077330	METAL FILM RESISTOR	33KΩ	金属被膜抵抗		
*	HU578110	METAL FILM RESISTOR	110KΩ	金属被膜抵抗		
	HU578120	METAL FILM RESISTOR	120KΩ	金属被膜抵抗		
*	KA401110	SLIDE SW		スライドSW		
	LB201540	JACK		ジャック		
	LB300960	CONNECTOR BASE PIN	3P	2.5ピッチベースピン	BOTTOM ENT	
	LB602990	CONNECTOR BASE PIN	6P	2.5ピッチベースピン	BOTTOM ENT	
	LB603000	CONNECTOR BASE PIN		2.5ピッチベースピン	BOTTOM ENT	
*	NA810250	CIRCUIT BOARD, ATT	#8952	ATTシート		
*	HY001730	DETENT VARIABLE RESISTOR	特33.3K×2	ディテントVR		
*	NA810260	CIRCUIT BOARD, DI	#8953	DIシート		
	FZ000650	MYLAR FILM CAP.	630V 0.01μ	マイラーコン		
	IH000390	DIODE	KBH-2504	ダイオード		
*	NA810270	CIRCUIT BOARD, DC, J	#8926	DCシート, J	PC2002M	
*	NA810280	CIRCUIT BOARD, DC, U, C	#8927	DCシート, U, C	PC2002M	
*	NA810290	CIRCUIT BOARD, DC, G	#8928	DCシート, G	PC2002M	

* New Parts (新規部品)

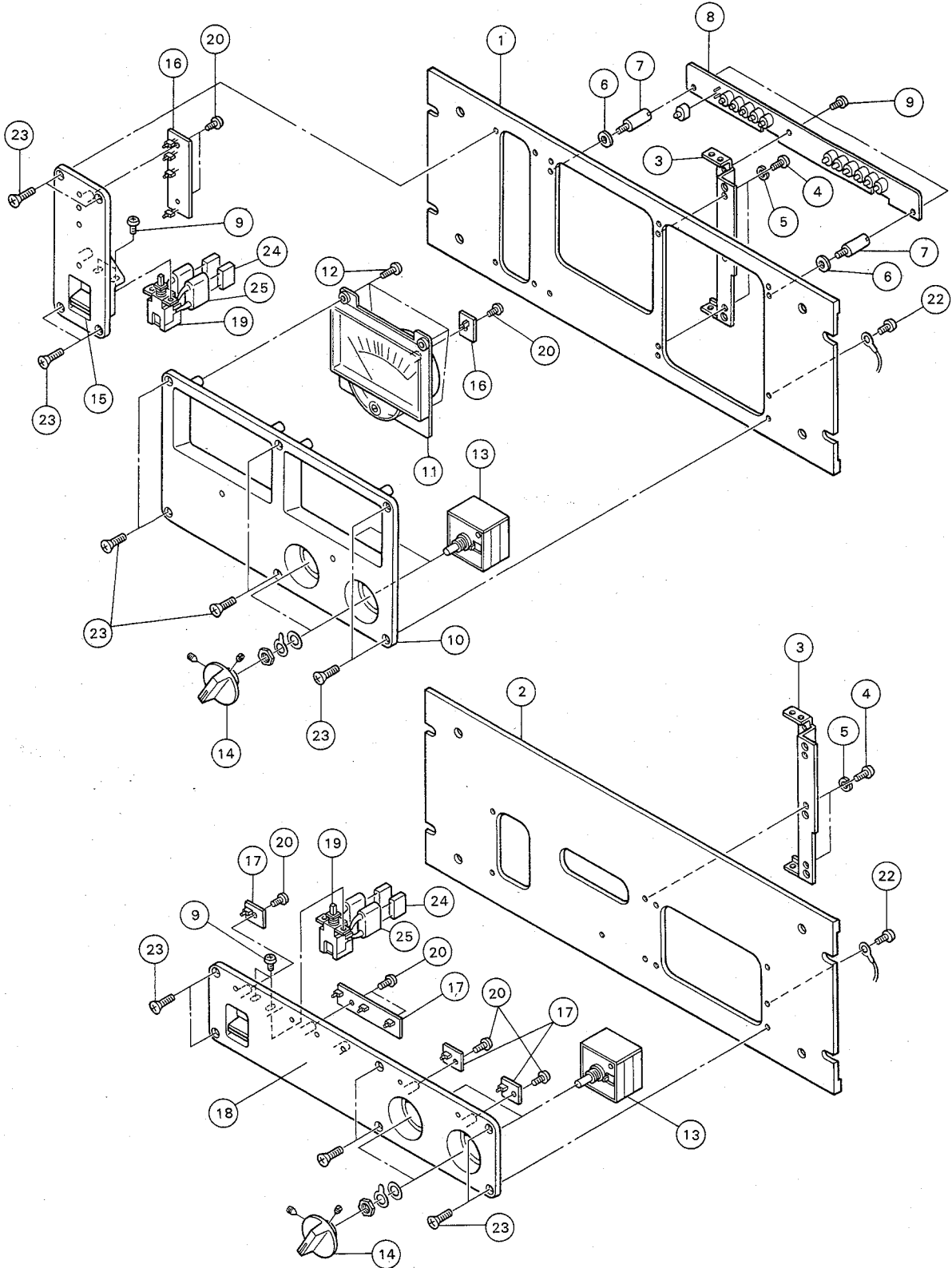
REF. NO.	PART NO.	DESCRIPTION	部 品 名	REMARKS	ランク	標準小売価格
* * *	NA810330	CIRCUIT BOARD, DC, J	#8926	DCシート, J	PC2002	
	NA810340	CIRCUIT BOARD, DC, U, C	#8927	DCシート, U, C	PC2002	
	NA810350	CIRCUIT BOARD DC, G	#8928	DCシート, G	PC2002	
	FC126100	METALIZED MYLAR CAP.	1 μ F 100V	MMコン		
	FZ000680	METALIZED MYLAR CAP.	0.1 μ F 250V	MMコン		
	FF062220	STYROL CAP.	220pF 125V	スチコン		
	UJ128100	ELECTROLYTIC CAP.	100 μ F 10V	ケミコン		
	UJ447100	ELECTROLYTIC CAP.	10 μ F 25V	ケミコン		
	UJ147470	ELECTROLYTIC CAP.	47 μ F 25V	ケミコン		
	UJ148100	ELECTROLYTIC CAP.	100 μ F 25V	ケミコン		
	UW558100	ELECTROLYTIC CAP.	100 μ F 35V	ケミコン		
	UJ166100	ELECTROLYTIC CAP.	1 μ F 50V	ケミコン		
	UW696100	ELECTROLYTIC CAP.	1 μ F 100V	ケミコン		
* * *	FZ003660	ELECTROLYTIC CAP.	100 μ F 160V	ケミコン		
	FZ003650	ELECTROLYTIC CAP.	4700 μ F 16V	ケミコン		
	FZ003640	ELECTROLYTIC CAP.	4700 μ F 25V	ケミコン		
	HL314330	METAL OXIDE FILM RESISTOR	33 Ω 1P	酸化抵抗		
	HM552470	WIRE WOUND RESISTOR	0.47 Ω 5P	セメント抵抗		
	HV455560	FLAME PROOF RESISTOR	560 Ω	不燃性カーボン抵抗		
	HV356150	FLAME PROOF RESISTOR	1.5K Ω	不燃化カーボン抵抗		
	HW994100	FUSE RESISTOR	FN19100M Ω	ヒューズ抵抗	U, C	
	HY000250	VARIABLE RESISTOR	B1K Ω	メタルグレースVR		
	IA081450	TRANSISTOR	2SA814	トランジスタ	O, Y	
	IA091210	TRANSISTOR	2SA912	トランジスタ	Q, R	
	IA097000	TRANSISTOR	2SA970	トランジスタ	GR, BL	
	IC162450	TRANSISTOR	2SC1624	トランジスタ	O, Y	
	IC188510	TRANSISTOR	2SC1885	トランジスタ	Q, R	
	IC224000	TRANSISTOR	2SC2240	トランジスタ	GR, BL	
	IC232000	TRANSISTOR	2SC2320	トランジスタ	E, F	
	ID052610	TRANSISTOR	2SD526	トランジスタ	R, O	
	IF000040	DIODE	1S1555	ダイオード		
	IF001400	DIODE	1SS82	ダイオード		
	IH000470	DIODE	1D4B1	ダイオード		
	IH000720	DIODE	W03B	ダイオード		
	IH001090	BRIDGE RECTIFIER	S4VB	ダイオードブリッジ		
	IH000040	DIODE	10D-2	ダイオード	+IH00006	
	IF000770	VARISTOR	VD-1212	バリスタ		
	IF000320	DIODE	WZ061	ダイオード		
	IF000350	ZENER DIODE	WZ130	ツェナーダイオード		
	IG063900	IC	μ PC7815H	IC		
* 38	KB000310	FUSE	0.5A 250V	ヒューズ	J	
	KB000330	FUSE	1A 250V	ヒューズ	J	
	KB000340	FUSE	1.5A 250V	ヒューズ	J	
11	KB000350	FUSE	2A 250V	ヒューズ	J	
	KB001150	FUSE	500mA 250V	ヒューズ	U, C	
	KB001060	FUSE	1A 250V	ヒューズ	U, C	
	KB001240	FUSE	2A 250V	ヒューズ	U, C	
	KB001590	FUSE	1.5A 250V	ヒューズ	U, C	
	KB000710	FUSE	500mA 250V	ヒューズ	G	

* New Parts (新規部品)

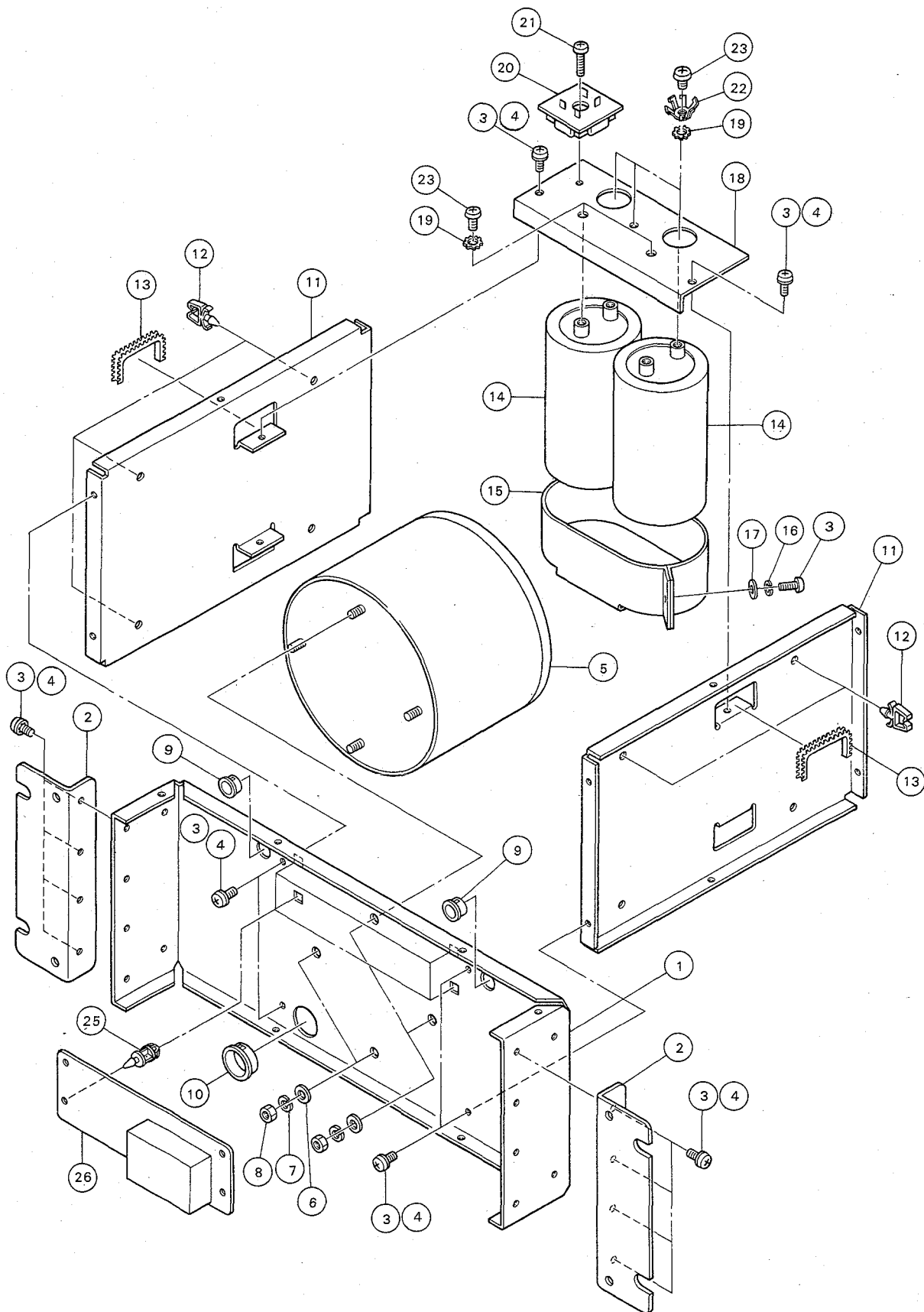
■ TOTAL ASSEMBLY



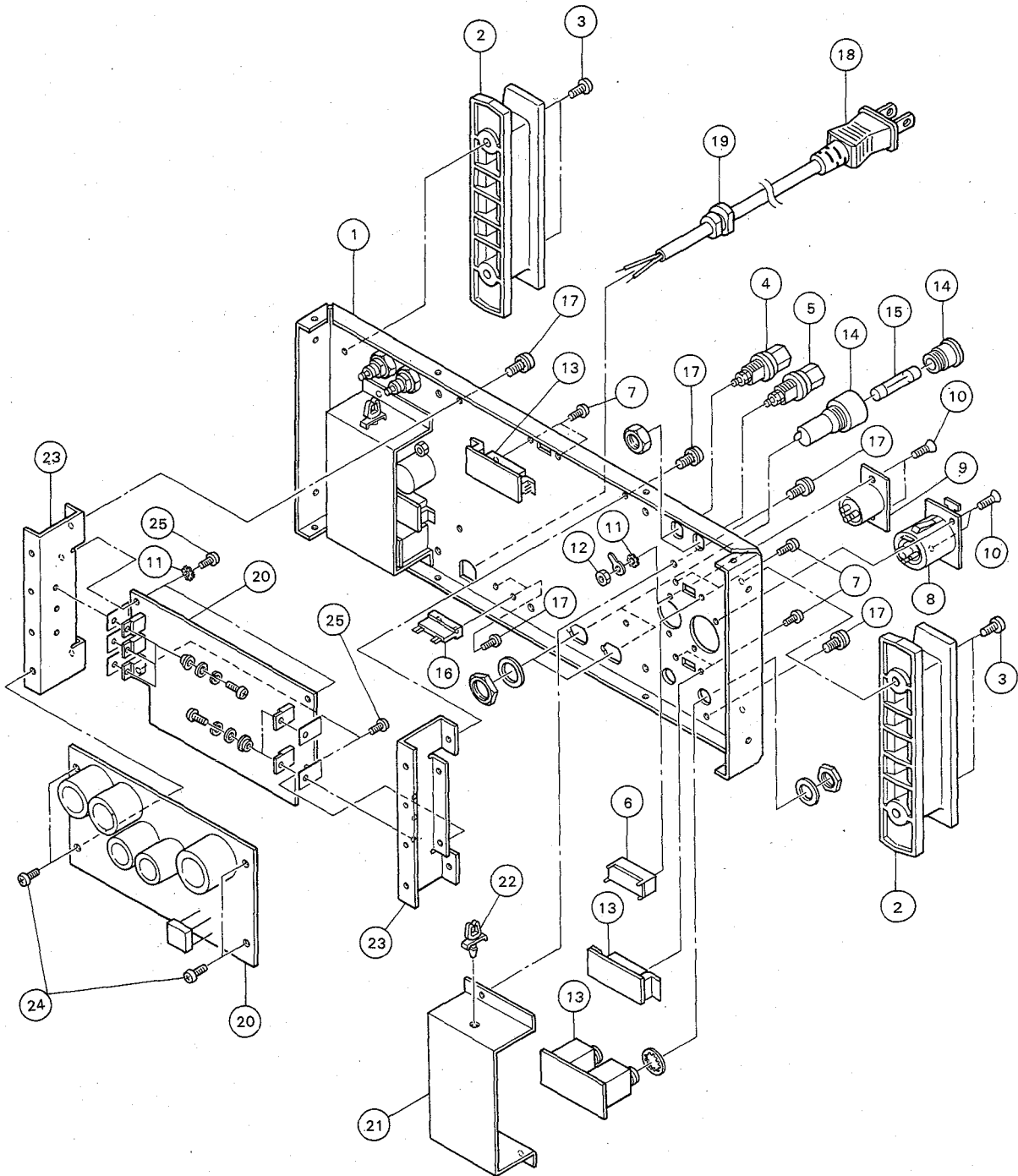
■ PANNEL



MAIN CHASSIS



REAR PANNEL

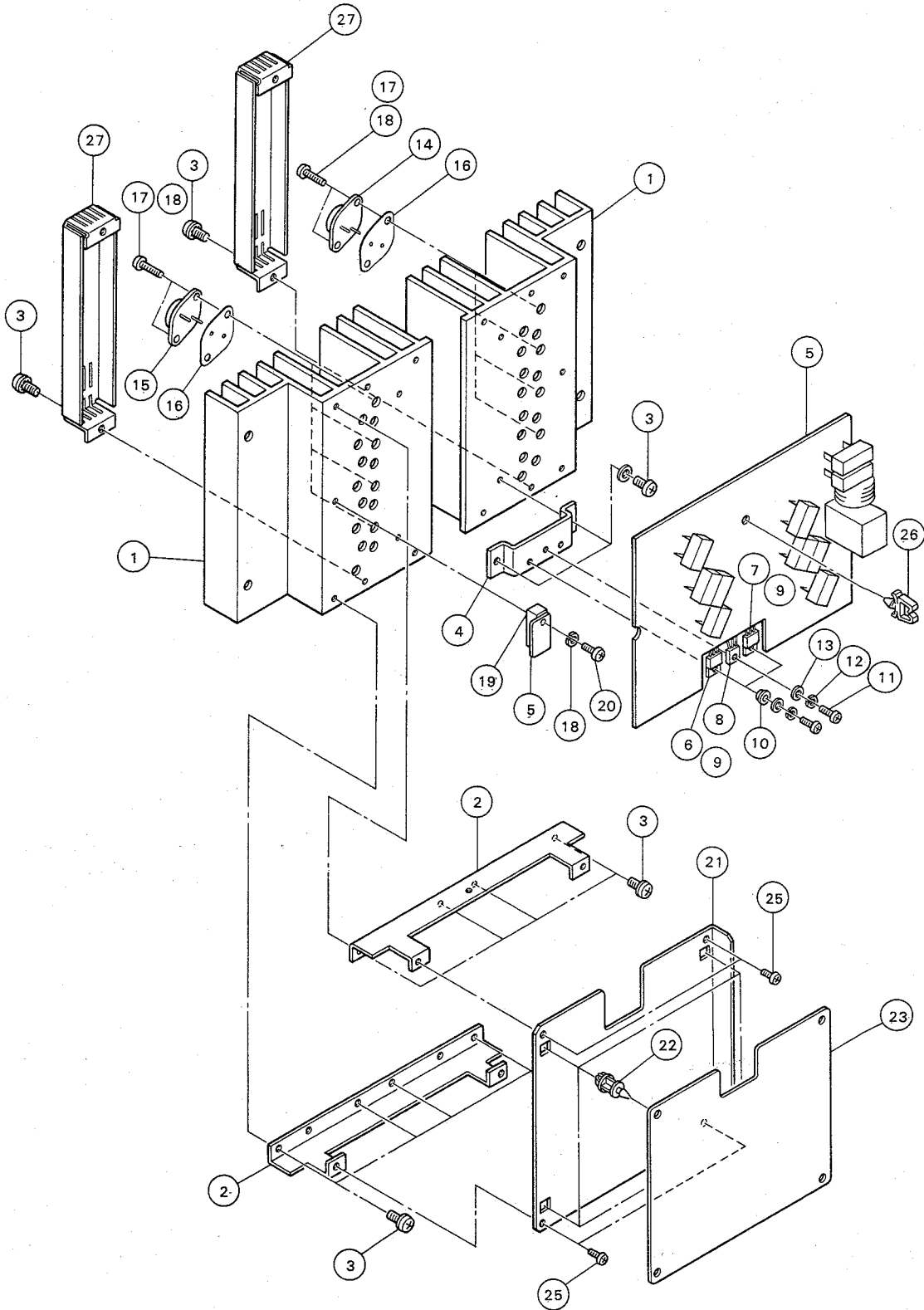


PARTS LIST(REAR PANNEL)

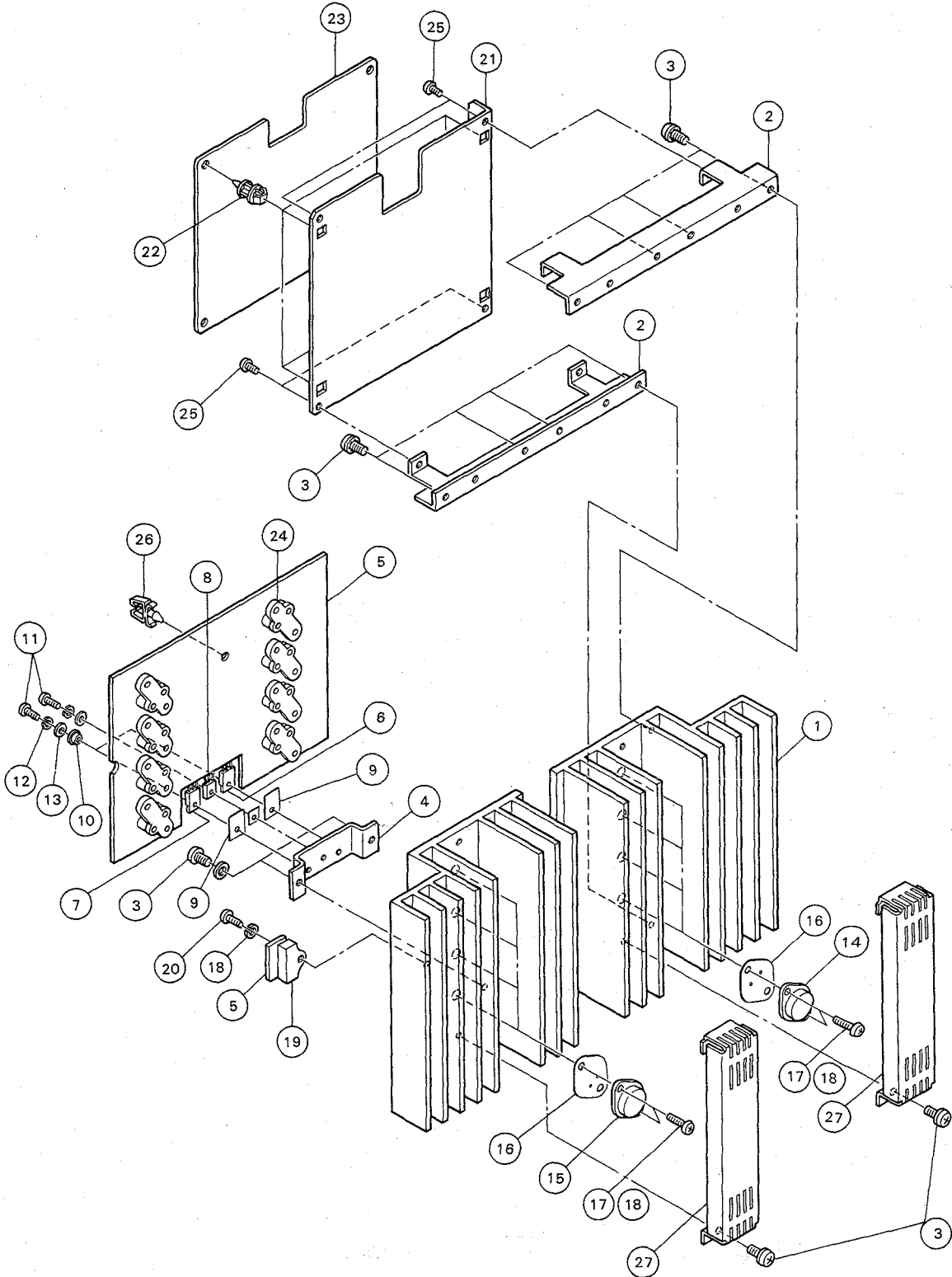
REF. NO.	PART NO.	DESCRIPTION		部 品 名	REMARKS	ランク	標準小売価格
*	1	BA807060	REAR PANEL	J	リアパネル	PC2002M	
*	1	BA807070	REAR PANEL	U, C	リアパネル	PC2002M	
*	1	BA807080	REAR PANEL	G	リアパネル	PC2002M	
*	1	BA807090	REAR PANEL	J	リアパネル	PC2002	
*	1	BA807100	REAR PANEL	U, C	リアパネル	PC2002	
*	1	BA807110	REAR PANEL	G	リアパネル	PC2002	
	2	CB806640	COAD REEL		コードリール		
	3	ED340086	BIND HEAD SCREW	M4×8 BL	バインド小ネジ		
	4	LA003400	SP TERMINAL (RED)		スピーカーターミナル (アカ)	J, G	
	4	LA003380	SP TERMINAL (RED)		スピーカーターミナル (アカ)	U, C	
	5	LA003410	SP TERMINAL (BLACK)		スピーカーターミナル (クロ)	J, G	
	5	LA003390	SP TERMINAL (BLACK)		スピーカーターミナル (クロ)	U, C	
*	6	KA401100	SLIDE SWITCH		スライドSW		
	7	ED326050	BIND HEAD SCREW	M2. 6×5 BL	バインド小ネジ		
	8	LB300150	CANNON SOCKET	XLR-3-31	キャノンソケット		
	9	LB300160	CANNON SOCKET	XLR-3-32	キャノンソケット		
	10	EF230106	OVAL HEAD TAPPING SCREW	3×10	丸皿タッピングネジ3種		
	11	EV423036	TOOTHED LOCK WASHER	B3S BL	歯付座		
	12	EV103036	HEXAGONAL NUT	3S Y	六角ナット		
*	13	NA810240	CIRCUIT BOARD, SW	#8941	SWシート		
	14	LB200490	FUSE HOLDER		ヒューズホルダー	J, U, C	
	14	LB200590	FUSE HOLDER		ヒューズホルダー	G	
	15	KB001300	FUSE	7. 0AT 250V	タイラッシュヒューズ	J	
	15	KB001520	FUSE	7AT 125V	ヒューズULタイムラグ	U, C	
	15	KB000790	FUSE	T4. 0A 250V	ヒューズ S	G	
	16	LA000760	LUG TERMINAL	CV-2P	ラグ端子板		
	17	ED330066	BIND HEAD SCREW	M3×6 BL	バインド小ネジ		
	18	MG000610	AC CORD		電源コード	J	
	18	MG000530	AC CORD		電源コード	U, C	
	18	MG001130	AC CORD		電源コード	G	
	19	CB077730	CORD STOPPER		コードストッパー	J, U, C	
*	19	CB825700	CORD BUSH		コードブッシュ	G	
*	20	NA810270	CIRCUIT BOARD, DC, J	#8296	DCシート, J	PC2002M	
*	20	NA810280	CIRCUIT BOARD, DC, U, C	#8927	DCシート, U, C	PC2002M	
*	20	NA810290	CIRCUIT BOARD, DC, G	#8928	DCシート, G	PC2002M	
*	20	NA810330	CIRCUIT BOARD, DC, J	#8926	DCシート, J	PC2002	
*	20	NA810340	CIRCUIT BOARD, DC, U, C	#8927	DCシート, U, C	PC2002	
*	20	NA810350	CIRCUIT BOARD, DC, G	#8928	DCシート, G	PC2002	
*	21	AA824510	SHIELD COVER		シールドカバー		
	22	CB816660	WIRE CLIP		ワイヤークリップ		
*	23	BA807190	HEAT SINK		放熱板		
	24	EI330066	BIND HEAD TAPPING SCREW	3×6 BL	バインドタッピングネジ		
	25	EI330086	BIND HEAD TAPPING SCREW	3×8 BL	バインドタッピングネジ		

* New Parts (新規部品)

■ MAIN RADIATOR L



MAIN RADIATOR R



YAMAHA MUSIKINSTRUMENTE

DIN A4: 28
DIN A3: -
DIN A2: -
DIN A1: 1

TYP: PC 2002 /- M
LFDNR: 230
VORRAT:

PREIS SCHALTPLÄNE :
PREIS GESAMTANLEITUNG:

HZ:

PRODUKTION: