



SERVICE MANUAL

AM/FM STEREO RECEIVER

SANSUI 9090/8080



Sansui

SANSUI ELECTRIC CO., LTD.

NOTE:

This service manual includes two model numbers, # 9090 and # 8080 together as indicated Model **A** and **B** in parts lists, schematic diagram and others.

MODEL **A**.....# 9090

MODEL **B**.....# 8080

When ordering parts, use the parts name and stock No. after confirming either Model **A** or **B**.

TABLE OF CONTENTS

<i>Section</i>	<i>Title</i>	<i>Page</i>
1.	SPECIFICATIONS	2
2.	THREADING OF DIAL CORD	3
2-1.	Threading of Dial Cord	3
2-2.	Attachment of Dial Pointer	3
3.	ALIGNMENTS AND ADJUSTMENT	3
3-1.	Driver Circuit Board Adjustment	4
3-2.	FM Adjustment & Alignment	4, 5, 6
3-3.	AM IF Adjustmet & Tracking	6
4.	OPERATION BLOCK DIAGRAM	7
4-1.	Tuner Section	7
4-2.	Audio Section	7
5.	TROUBLE SHOOTING CHART	8
5-1.	Audio Section	8
5-2.	Tuner Section	9
6.	PARTS LOCATION AND PARTS LIST	10
6-1.	F-2546 Power Supply Circuit Board	10
6-2.	F-2547 Protector Circuit Board	11
6-3.	F-2543 Tone Control Circuit Board	11
6-4.	F-2436 Driver Circuit Board	12
6-5.	F-2545 Filter & Muting Circuit Board	12
6-6.	F-2541 Equalizer Circuit Board	13
6-7.	F-2431 Power Supply Circuit Board	13
6-8.	F-2544 Tone Control Circuit Board	14
6-9.	F-2542 Accessory Switch Circuit Board	14
6-10.	F-2549 FM, AM Tuner Circuit Board	15, 16
6-11.	F-2550 Multi-Path Circuit Board	16
6-12.	F-1470 Lamp Circuit Board	16
6-13.	F-2597 Connector Circuit Board	16
6-14.	F-2548 Protector Connector Circuit Board	16
6-15.	F-1519 FM Pack	17
6-16.	Figures	17
7.	SCHEMATIC DIAGRAM	18, 19, 20
8.	OTHER PARTS	21
8-1.	Other Parts (Top Side)	21
8-2.	Other Parts (Front Side)	21, 22
9.	PACKING LIST	22
10.	ACCESSORY PARTS LIST	22

1. SPECIFICATIONS

AUDIO SECTION

POWER OUTPUT

Min. RMS, both channels driven, from 20 to 20,000Hz, with no more 0.2% total harmonic distortion

- *MODEL Ⓐ { 110 watts per channel into 8 ohms
Min. RMS, both channels driven, at 1kHz, with no more than 0.2% total harmonic distortion 120 watts per channel into 8 ohms
- *MODEL Ⓑ { 80 watts per channel into 8 ohms
Min. RMS, both channels driven, at 1kHz, with no more than 0.2% total harmonic distortion 90 watts per channel into 8 ohms

LOAD IMPEDANCE 8 ohms

POWER BANDWIDTH 20 to 20,000Hz at or below rated min. RMS power output and total harmonic distortion

TOTAL HARMONIC DISTORTION less than 0.2% at or below rated min. RMS power output

INTERMODULATION DISTORTION (70Hz : 7kHz = 4.1 SMPTE method) less than 0.2%

FREQUENCY RESPONSE (at 1 watt) 10 to 30,000Hz ±1dB

RIAA CURVE DEVIATION (PHONO) +0.5dB, -0.5dB (30Hz to 15kHz)

DAMPING FACTOR approximately 10 at 8 ohm load
INPUT SENSITIVITY AND IMPEDANCE (1kHz. for rated power output)

PHONO 2.5mV/50 kilo ohms
(Max. input capability : 200mV at 1kHz, less than 0.2% total harmonic distortion.)

TAPE PLAY, AUX 100mV/50 kilo ohms

OUTPUT LEVEL (1,000Hz)
TAPE-1, 2 REC (pin jacks) 100mV

TAPE-2 REC/PLAY (DIN socket) 30mV

PRE OUT 750mV

CHANNEL SEPARATION (at rated output 1,000Hz)
PHONO better than 50dB
TAPE PLAY, AUX better than 50dB

HUM AND NOISE
PHONO better than 70dB
TAPE PLAY, AUX better than 80dB

CONTROLS
BASS ±10dB (50Hz)
*MODEL Ⓐ ONLY
TONE SELECTOR (turnover frequency) 150, 300Hz

MIDRANGE ±5dB (1.5kHz)

TREBLE ±10dB (10kHz)
*MODEL Ⓐ ONLY
TONE SELECTOR (turnover frequency) 1.5, 3kHz

LOUDNESS +10dB (50Hz)
+8dB (10kHz)

LOW FILTER -10dB (50Hz)

HIGH FILTER -10dB (10kHz)

AUDIO MUTING -20dB

FM SECTION

TUNING RANGE 88 to 108MHz

SENSITIVITY (IHF) 1.7µV
(DIN) 0.9µV

QUIETING SLOPE (Mono) .. 3µV (50dB)

TOTAL HARMONIC DISTORTION
STEREO less than 0.3%
MONO less than 0.2%

SIGNAL TO NOISE RATIO (mono)

SELECTIVITY better than 85dB

CAPTURE RATIO less than 1.5dB

IMAGE REJECTION better than 75dB (98MHz)

IF REJECTION better than 90dB (98MHz)

SPURIOUS REJECTION better than 90dB (98MHz)

SPURIOUS RADIATION less than 34dB

STEREO SEPARATION better than 40dB (1kHz)

FREQUENCY RESPONSE 30 to 15,000Hz ^{+0.5}/_{-2.0} dB

ANTENNA INPUT IMPEDANCE
..... 75Ω unbalanced
300Ω balanced

AM SECTION

TUNING RANGE 535 to 1,605kHz

SENSITIVITY (Bar antenna) .. 50dB/m (1,000kHz)

SELECTIVITY better than 50dB (1,000kHz)

IMAGE REJECTION better than 80dB/m (1,000kHz)

IF REJECTION better than 80dB/m (1,000kHz)

OTHERS

POWER REQUIREMENTS

POWER VOLTAGE 100, 120, 220, 240V (50/60Hz)

POWER CONSUMPTION

*MODEL Ⓐ 270 watts (rated)

*MODEL Ⓑ 180 watts (rated)

DIMENSIONS 540mm (21-⁵/₁₆") W
182mm (7-³/₁₆") H
399mm (15-¹/₁₆") D

WEIGHT

*MODEL Ⓐ { 23.3 kg (51.4 lbs) net
25.7 kg (56.7 lbs) packed

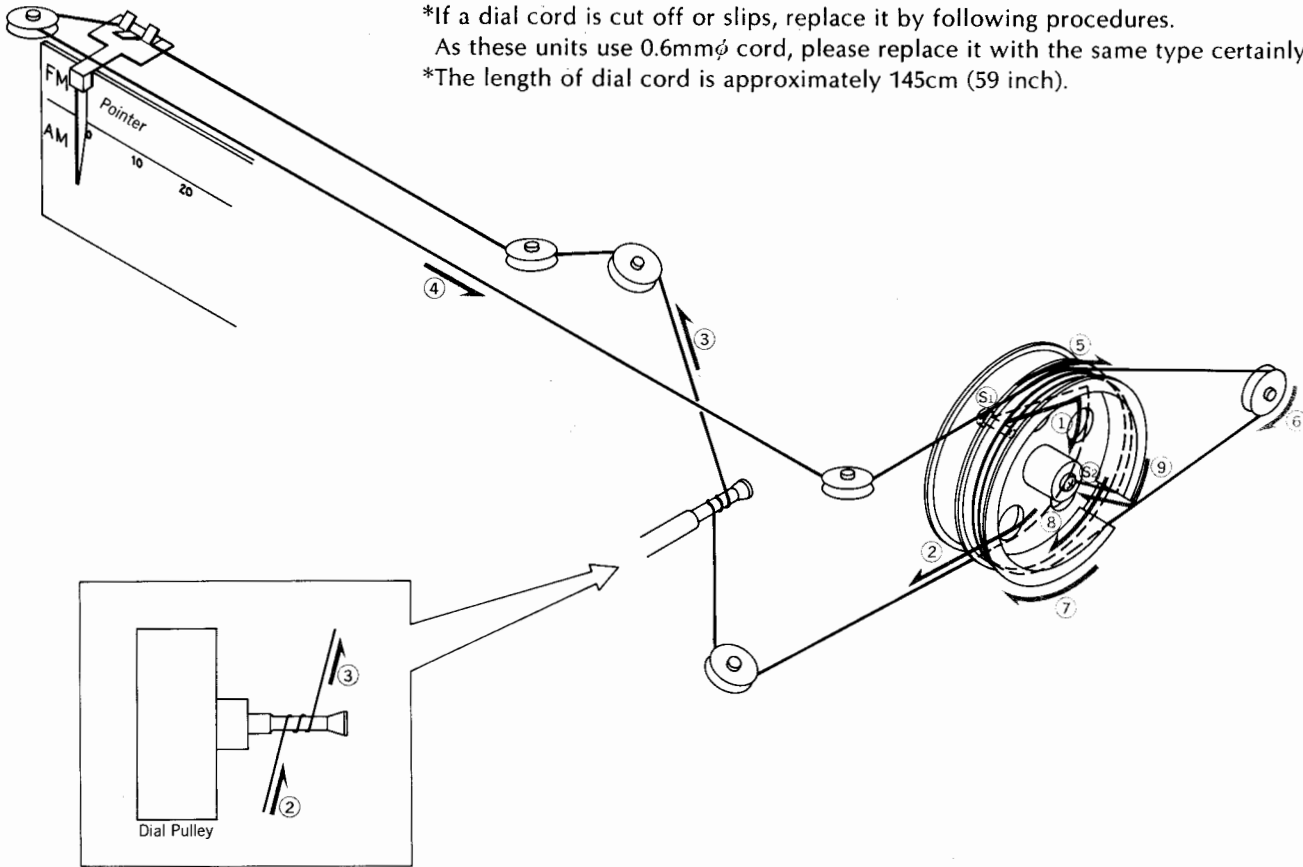
*MODEL Ⓑ { 20.9 kg (46.1 lbs) net
23.3 kg (51.4 lbs) packed

NOTE: In this specifications, there are two model numbers as model Ⓐ and Ⓑ. Regarding name of model Ⓐ, Ⓑ, please refer to "Notes" indicated on page 1.

* Design and specifications subject to change without notice for improvements.

2. THREADING OF DIAL CORD

*If a dial cord is cut off or slips, replace it by following procedures.
 As these units use 0.6mmφ cord, please replace it with the same type certainly.
 *The length of dial cord is approximately 145cm (59 inch).



2-1. Threading of Dial Cord

Thread the dial cord in numerical order from ① to ⑨ as Fig. 2-1.

- 1) Close the variable capacitor completely (Max. capacitance).
- 2) Tie dial cord to the screw, S1 .
- 3) Thread cord in the direction of arrow from ① to ⑨
- 4) After ⑨, tie the cord to the screw S2 of the dial pulley.

2-2. Attachment of Dial Pointer

- 1) Close the variable capacitor completely.
 - 2) Set the dial pointer to the 0 position on dial scale.
- *Confirm that the dial pointer runs smoothly on the dial scale by turning the tuning shaft.

Stock No.	Description
6036051	Dial Cord (0.6mmφ)
6146670	D44 Type Pulley

3. ALIGNMENTS AND ADJUSTMENT

Abbreviation

Equipment

AM FM Generator Oscilloscope Genescope
 AM Signal Generator AM SG
 FM Signal Generator FM SG
 Multiplex Stereo Generator Scope
 Oscilloscope..... Audio Osc.
 Audio Oscillator Dist. Meter

Others

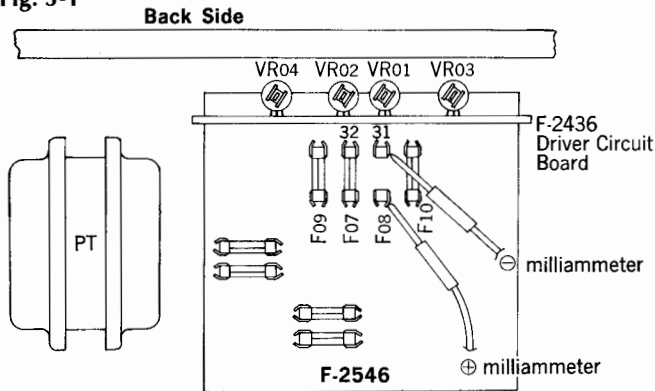
Clockwise CW.
 Counterclockwise CCW.
 Antenna ANT.
 Modulation MOD.

3-1. Driver Circuit Board Adjustments (See Fig. 3-1, 3-2 on page 4)

- Note: 1. Master Volume.....Minimum
 2. Before adjustment, run the unit for more than 4 minutes, then check and readjust necessary.

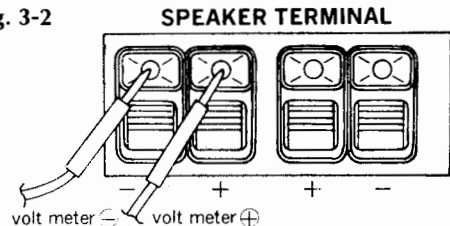
STEP	SUBJECT	EQUIPMENT	MEASURE OUTPUT	ADJUST	ADJUST FOR	CONDITION
1.	DC 0V L-CH	DC volt Meter	Speaker Terminal L-CH	VR01 F-2436	0V \pm 10mV	<ul style="list-style-type: none"> Step down meter range accordingly. Change leads polarity if meter swings backward.
2.	DC 0V R-CH	Same as above	Speaker Terminal R-CH	VR02 F-2436	Same as above	Same as above
3.	Bias Current L-CH	DC Milliammeter	F07 F-2546	VR03 F-2436	*MODEL A 50mV \pm 1 mA *MODEL B 30mA \pm 1 mA	Step down meter range accordingly
4.	Bias Current R-CH	Same as above	F08 F-2546	VR04 F-2436	Same as above	Same as above

Fig. 3-1



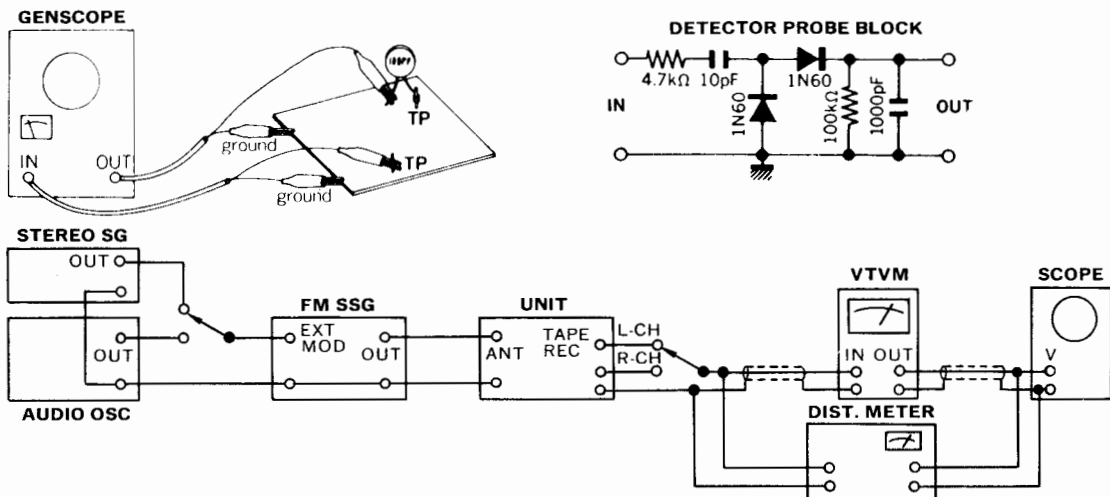
Note: In adjustment above, there are two model numbers as model A and B. Regarding name of model A, B, please refer to "Note" indicated on page 1.

Fig. 3-2




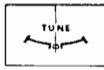


3-2. FM Adjustment & Alignment

- Note: 1. Selector.....FM AUTO 2. FM MUTING SwitchOFF
 3. Connection.....Connect the output of genscope to TP through 100pF ceramic capacitor.
 { Output level of genscope.....After attenuator
 4. Sweep width1.5~2cm/150kHz
 Frequency band9.5~11.5MHz



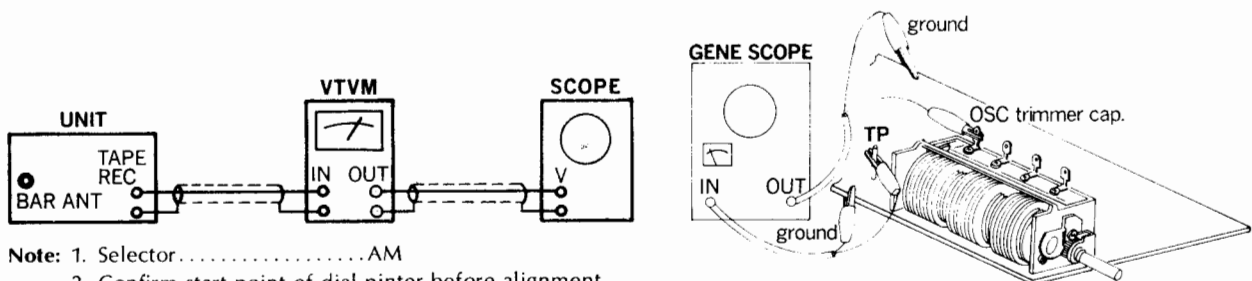
1) FM IF Adjustment & Tracking (See Fig. 3-3, 3-4, 3-5 on page 6)

STEP	SUBJECT	FEED SIGNAL		MEASURE OUTPUT	ADJUST	ADJUST FOR	CONDITION
		FROM	TO				
1.	IF coil	Output 90dB Genescope	TP01 FM, AM Pack F-1519	Terminal 01 of F-2549. Use Detector Probe	L05 F-1519	Max. IF waveform	
		Output 50dB Genescope	Same as above	TP01 F-2549	T01 F-2549	Same as above	
2.	Muting Coil	Output 50dB Genescope	Same as above	TP04 F-2549	T04 F-2549	Same as above	
3.	Discriminator Coil	Output 50dB Genescope	Same as above	TP03 F-2549	T02 T03 F-2549	Max. linearity of S Curve	
4.	90MHz Dial Calibration	90MHz ANT Input 60dB 400Hz (100% MOD) FM SSG	ANT Terminal 300Ω	REC OUT L or R-CH VTVM & Scope	L06 F-1519	Max. Output	
	106MHz Dial Calibration	106MHz ANT Input 60dB 400Hz (100% MOD) FM SSG	Same as above	Same as above	TC04 F-1519	Same as above	
5.	90MHz RF Adj.	90MHz ANT Input 60dB 400Hz (100% MOD) FM SSG	Same as above	Same as above	L01, L02, L03 F-1519	Same as above	
	106MHz RF Adj.	106MHz ANT Input 60dB 400Hz (100% MOD) FM SSG	Same as above	Same as above	TC01 TC02 TC03 F-1519	Same as above	
6.	Signal Meter Volume	98MHz ANT Input 100dB 400Hz (100% MOD) FM SSG	Same as above	Signal Meter	VR02 F-2549	4.7 on meter	
7.	Distortion	98MHz ANT Input 60dB 400Hz (100% MOD) FM SSG	Same as above	REC OUT L or R-CH Dist meter & Scope	T02 T03 T01 F-2549	Max. Output Min. Distortion	T01.. Slightly adjust
8.	Tune Meter Volume	98MHz ANT Input 60dB 400Hz (100% MOD) FM SSG	Same as above	Tune meter	VR01 F-2549	Center on meter	

2) MPX Alignment (See Fig. 3-4, 3-5 on page 6)

STEP	SUBJECT	FEED SIGNAL		MEASURE OUTPUT	ADJUST	ADJUST FOR	CONDITION
		FROM	TO				
1.	PLL VCO Adj.	98MHz ANT Input 60dB FM SSG Pilot 19kHz (10% MOD) L-CH 1kHz (45% MOD) R-CH (0% MOD) STEREO SG	ANT Terminal 300Ω	Stereo Indicator	VR04 F-2549	Light Indicator	Adjust the VR within center of lighting level.
	PLL VCO Adj. In case of using Freq Counter		Make short between TP03 of F-2549 and chassis	TP02 F-2549 Use Freq. Counter	VR04 F-2549	76kHz (±200Hz)	
2.	Separation	98MHz ANT Input 60dB FM SSG Pilot 19kHz (10% MOD) L-CH (0% MOD) R-CH 1kHz (45% MOD) STEREO SG	ANT Terminal 300Ω	REC OUT L-CH VTVM & Scope	VR05 F-2549	Min. Output -35dB	
3.	Distortion	Same as above	Same as above	REC OUT L-CH Dist. meter & Scope	L05 1 Side 2 Side AM, FM Pack F-1519	Min. Distortion	If less than 0.3%, adjust L05 slightly.
4.	Separation	98MHz ANT Input 60dB FM SSG Pilot 19kHz (10% MOD) L-CH 1kHz (45% MOD) R-CH (0% MOD) STEREO SG	Same as above	REC OUT R-CH VTVM & Scope	VR05 F-2549	Min. Output -30dB	
5.	Muting level & Indicator level	98MHz ANT Input 23dB FM SSG Pilot 19kHz(10% MOD) L-CH 1kHz(45% MOD) R-CH (0% MOD) STEREO SG	Same as above	Stereo Indicator	VR03 F-2549	Muting level 23dB Indicator lighting level 23dB	

3-3. AM IF Adjustments & Tracking (See Fig. 3-4, 3-5 on page 6)



- Note:** 1. Selector.....AM
2. Confirm start point of dial pinter before alignment.


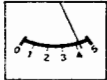
STEP	SUBJECT	FEED SIGNAL		MEASURE OUTPUT	ADJUST	ADJUST FOR	CONDITION
		FROM	TO				
1.	IF Coil	Genescope Output 70dB	TC05 FM, AM Pack F-1519	TP06 F-2549	CF04 F-2549	Max. Output	
2.	600kHz Dial Calibration	600kHz ANT Input 60dB 400Hz (MOD 30%) AM SSG	AM ANT Terminal	REC OCT L or R-CH VTVM & Scope	T05 F-2549	Same as above	
	1400kHz Dial Calibration	1400kHz ANT Input 60dB 400Hz (MOD 30%) AM SSG	Same as above	Same as above	TC05 FM, AM Pack F-1519	Same as above	
3.	600kHz RF Adj.	600kHz ANT Input 50dB 400Hz (MOD 30%) AM SSG	Same as above	Same as above	Bar Antenna T702	Same as above	
	1400kHz RF Adj.	1400kHz ANT Input 50dB 400Hz (MOD 30%) AM SSG	Same as above	Same as above	TC06 FM, AM Pack F-1519	Same as above	
4.	Signal Meter	1000kHz ANT Input 80dB	Same as above	Signal Meter	VR06 F-2549	4.3 on meter	

Fig. 3-3

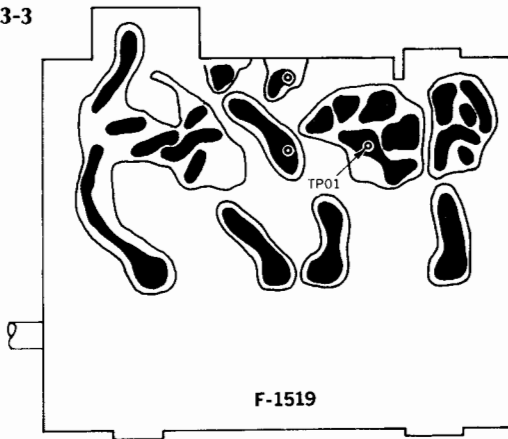


Fig. 3-4

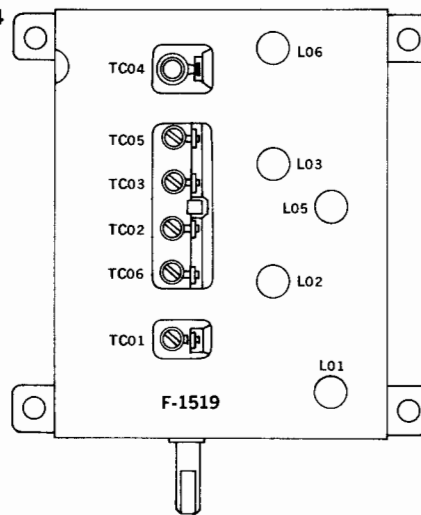
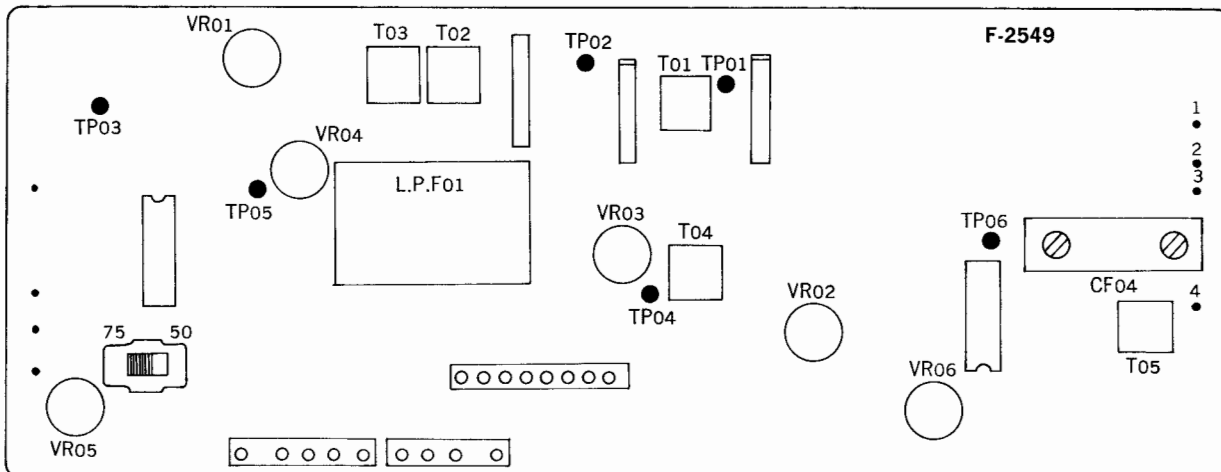
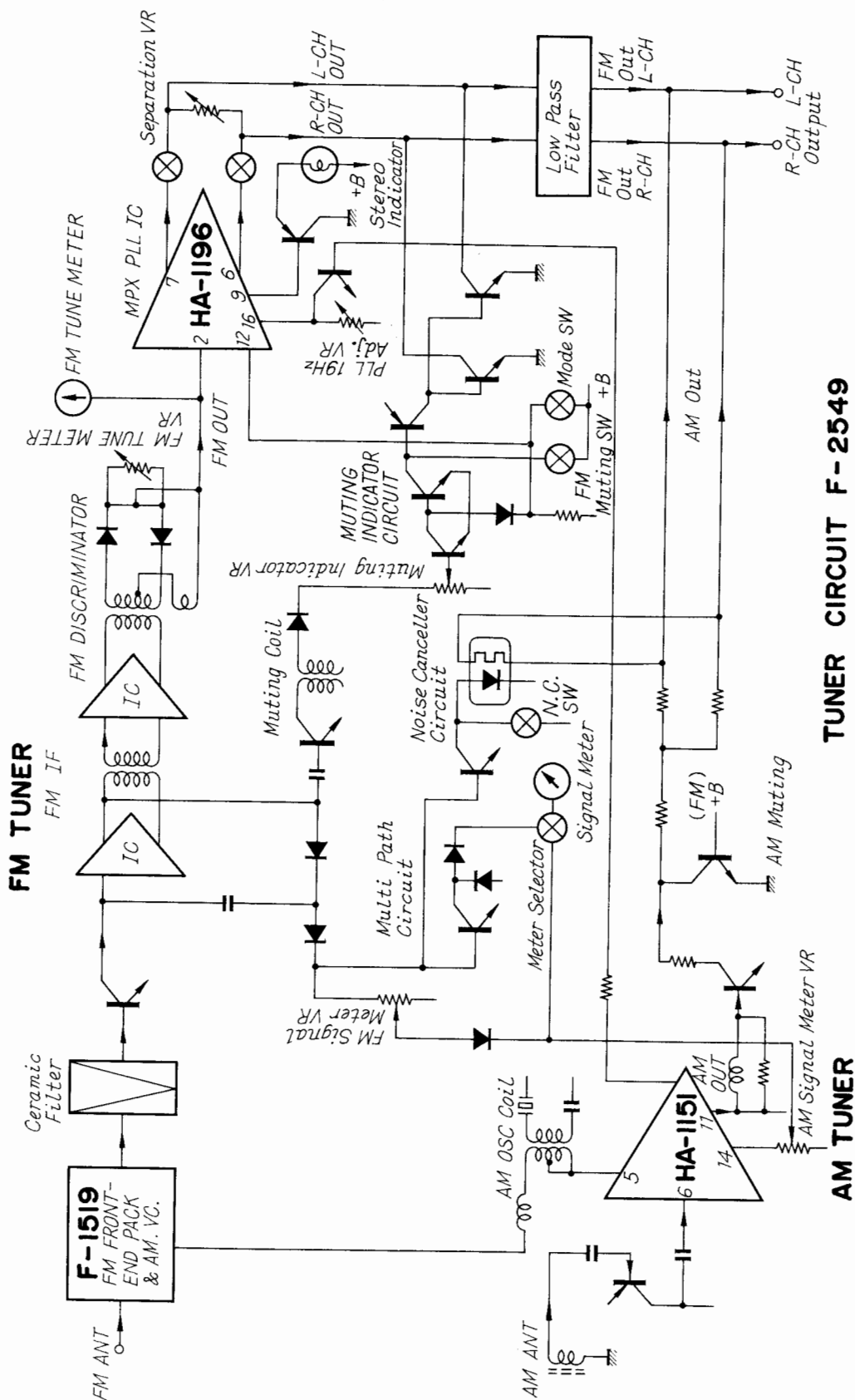


Fig. 3-5



4. OPERATION BLOCK DIAGRAM

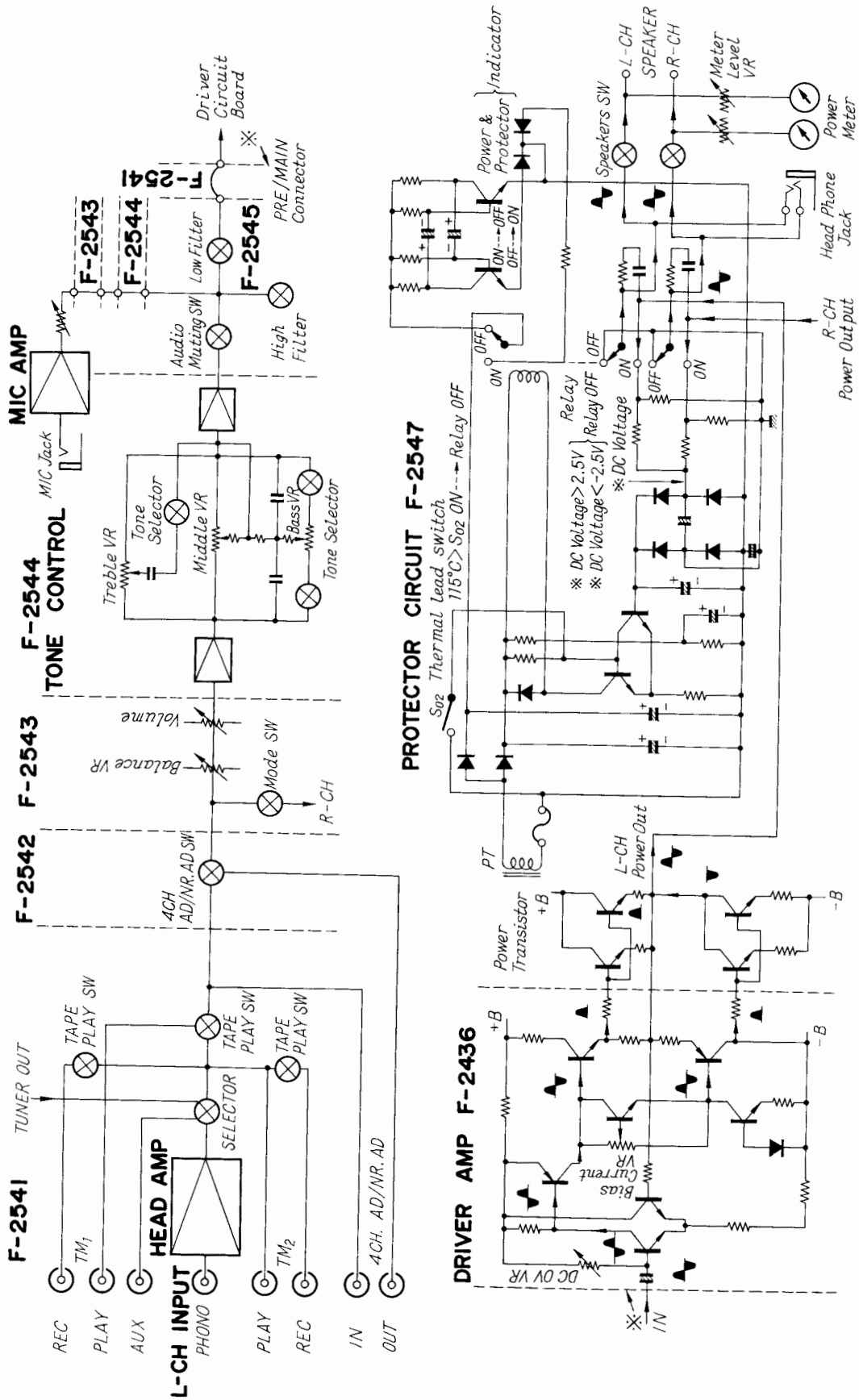
4-1. Tuner Section



TUNER CIRCUIT F-2549

AM TUNER

4-2. Audio Section



5. TROUBLESHOOTING CHART

5-1. Audio Section

Symptom	Defective Circuit or Check Point	Cause
1) Troubles on Power Supply section	Defective parts in circuit on primary side of power transformer Defective rectifier circuit in secondary side of power transformer Defective or regulated power supply section	1. Power fuse, F701 opens 2. Defective power switch, S701 3. Imperfect contact of voltage selector 1. AC fuse, F01~F06 opens 2. Defective diode, D02, D03 on F-2546 1. Defective D01 on F-2546 2. Defective TR01~TR03 on F-2546
2) Troubles on protector section	Protector circuit inoperative when DC voltage is given to output of power stage Defective protection circuit with thermal lead switch Protector indicator does not flicker	1. Defective D04~D07 on F-2547 2. Defective TR01, TR02 on F-2547 3. Defective relay, RL01 1. Defective thermal lead switch, S702 2. Defective TR01, TR02 on F-2547 3. Defective relay, RL01 1. Defective TR03, TR04 on F-2547 2. Defective C06, C07 on F-2547 3. Defective LED01 on F-2548
3) Troubles on Power AMP. section	Quick acting fuse opens One channel inoperative Over-flow bias current	1. Power transistor shorted 2. Defective TR11~TR14 on F-2436 3. TR07 on F-2436 opens 4. Defective protector circuit 1. Defective TR01~TR03 on F-2436 1. Incorrect adjustment VR03, VR04 on F-2436
4) Troubles on Tone Control section	Inoperative tone control circuit Noise is produced by turning tone volume controls	1. Defective IC01 on F-2544 2. Defective TR01 on F-2544 1. Defective tone control volume VR01, VR02 on F-2544
5) Troubles on MIC AMP. section	Inoperative Mic AMP. circuit	1. Defective IC601 on F-2543 2. Defective TR601 on F-2543 3. Imperfect contact of MIC Jack
6) Troubles on Equalizer section	Inoperative equalizer circuit	1. Defective IC01, IC02 on F-2541 2. Imperfect contact of selector 3. Imperfect contact of Tape switch
7) Power meter inoperative	Meter circuit inoperative	1. Imperfect adjustment of VR01, VR02 on F-2547 2. Defective M701, M702 3. Defective D10~D12 on F-2547

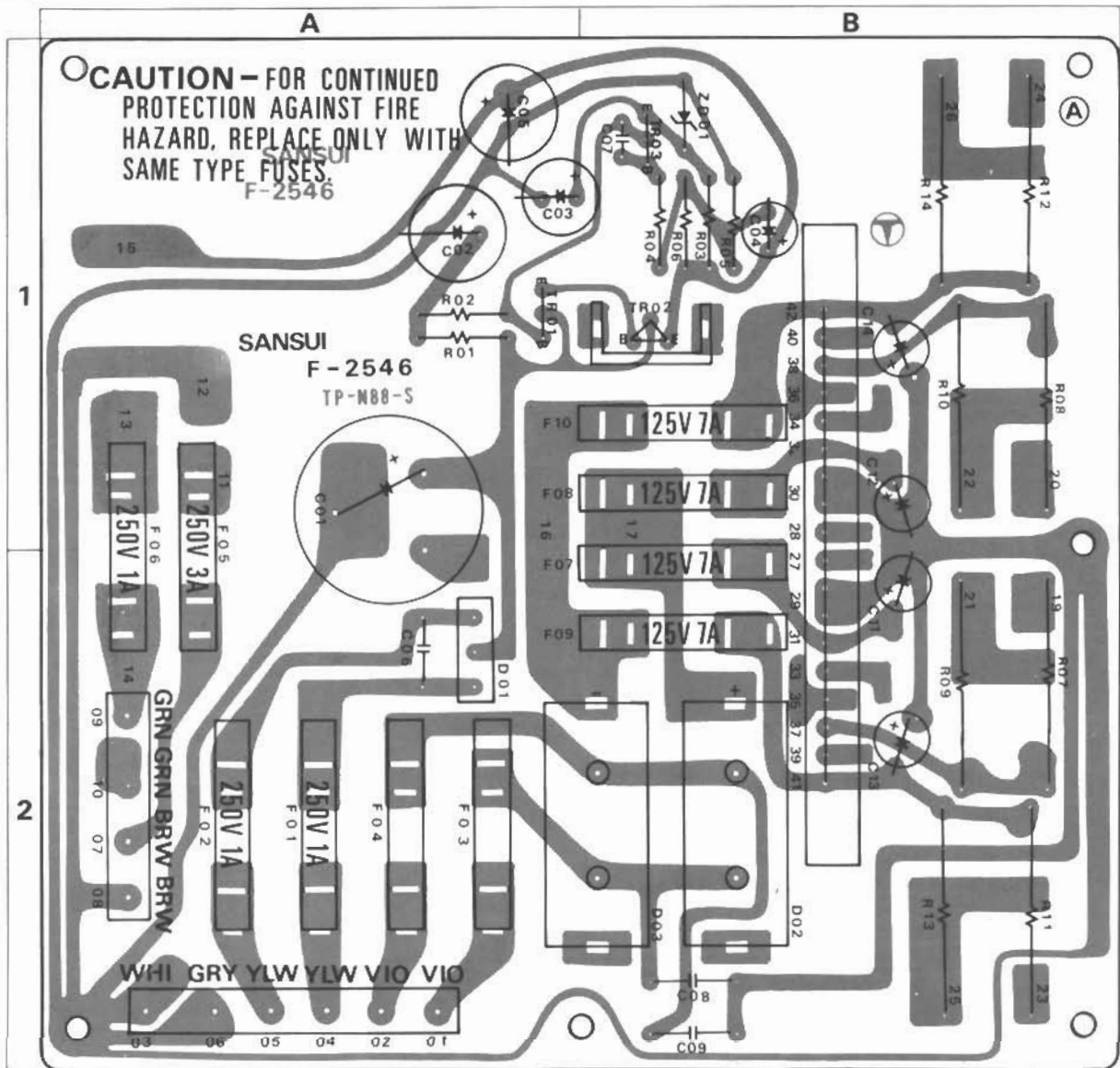
5-2. Tuner Section

Symptom	Defective Circuit or Check Point	Cause
1) Both AM and FM inoperative	Power supply section inoperative	1. Defective TR01 on F-2431 2. Imperfect contact of selector switch
2) AM inoperative	Defective semiconductors Defective coils	1. Defective TR12 on F-2549 2. Defective IC05 on F-2549 3. Defective TR13, TR14 on F-2549 1. Osc coil opens 2. Bar antenna coil opens
3) AM poor sensitivity	Incorrect adjustment	1. IF or Tracking out of adjustment
4) Signal meter does not properly operate	Defective meter circuit	1. Signal meter volume, VR06 out of adjustment 2. Defective signal meter, M703
5) FM inoperative	Defective FRONT-END PACK F-1519 Defective IF section	1. Defective FET01, TR01, 02 on F-1519 2. Coil, L01~L06 on F-1519 opened 1. Defective TR01~TR03 on F-2549 2. Defective IC01~IC03 on F-2549 3. T01, T02 on F-2549, opened
6) FM poor sensitivity	Incorrect adjustment Poor FM input signal	1. RF and Tracking out of adjustment 2. IF coil and discriminator coil out of adjustment 1. Weak electric field intensity area
7) Signal meter does not properly operate	Defective meter circuit	1. Defective D05~D07 on F-2549 2. Signal meter volume VR02 out of adjustment
8) MPX inoperative	Defective PLL circuit Defective semiconductors	1. Defective IC04 on F-2549 2. TR10, TR11 on F-2549 shorted
9) No channel separation on FM stereo reception	Incorrect adjustment	1. Muting coil, T04 out of adjustment 2. Muting, Indicator volume, VR03 out of adjustment 3. Free-run frequency adjust. Volume, VR04 out of adjustment 4. Separation volume, VR05 out of adjustment 5. Defective TR08 on F-2549
10) Troubles on Muting indicator circuit	Muting inoperative	1. Defective TR05~TR07 on F-2549 2. T04, VR03 on F-2549 out of adjustment 3. TR10, TR11 opens
11) Stereo indicator does not light up	Indicator circuit inoperative	1. Defective TR04, TR05 on F-2549 2. T04, VR03 on F-2549 out of adjustment 3. TR09 on F-2549 opens 4. Stereo indicator lamp, PL707 opens

6. PARTS LOCATION AND PARTS LIST

6-1. F-2546 Power Supply Circuit Board (Stock No. 7501281 MODEL A) (Stock No. 7501271 MODEL B)

Conductor Side



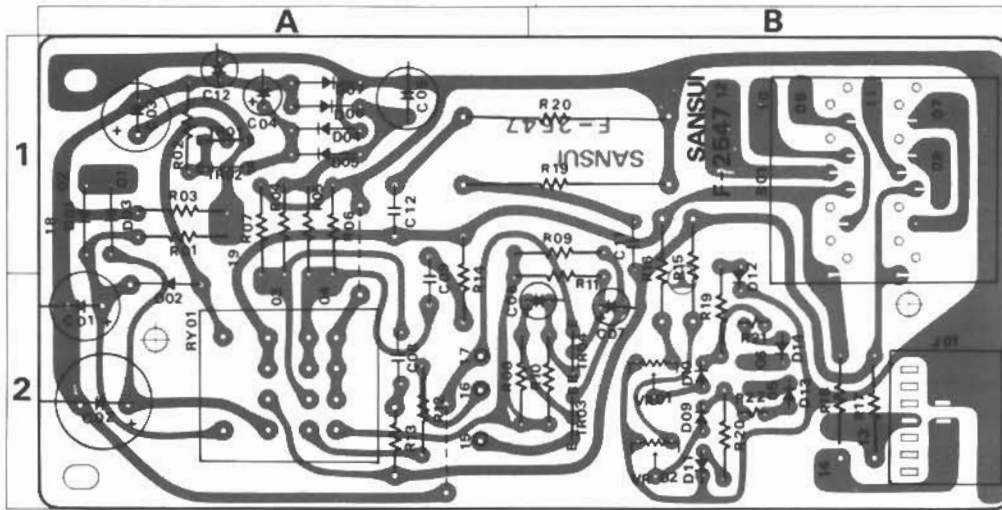
Parts List

Parts No.	Stock No.	Description	Position	Parts No.	Stock No.	Description	Position	Parts No.	Stock No.	Description	Position
TR01	0305930	1 2SC1211 (C, D)	1 A	C07	0657221	220pF 50V C.C.	1 B	R10	0135338	0.33Ω 5W Ce R	1 B
TR02	0308390	2 2SD313 (C, D, E)	1 B	C08	0655103	10000pF 500V C.C.	2 B	R001	0152220	22Ω 2W	1 B
TR03	0305930	1 2SC1211 (C, D)	1 B	C09	0655103	10000pF 500V C.C.	2 B	F01, 02	0431220	AC Fuse 1A	2 A
D01	0310530	1S1850	2 A	C11	0539001	4.7μF	2 B	F03	0431240	AC Fuse 3A	2 A, 1 A
	0310800	10DC2		C12	0539001	4.7μF	1 B	F04	0431220	AC Fuse 1A	
	0311420	C08P-2-N		C13	0539001	4.7μF	2 B	2310050	P Type Fuse Holder		
	0311310	SS-5		C14	0539001	4.7μF	1 B	2310150	P Type Fuse Holder T-1		
D02	0311310	SS-5	2 B	R01	0107332	3.3kΩ	1 A	01	2420170	18P Multi Connector	
D03	0311320	SS-5R	2 A, B	R02	0107332	3.3kΩ	1 A	*MODEL A only			
ZD01	0315970	EQA01-13R	1 B	R03	0107472	4.7kΩ	1 B	R11-14	0135338	0.33Ω 5W Ce R	1 2 B
C01	0549206	1000μF 63V E.C.	1 2 A	R04	0107102	1Ω	1 B	F07, 08	0431290	AC Fuse 6A	2 A, 1 A
	0515221	220μF 50V E.C.	1 A	R05	0107223	22kΩ	1 B	*MODEL B only			
	0512101	100μF 16V E.C.	1 A, B	R06	0107333	33kΩ	1 B	F07, 10	0431280	AC Fuse 5A	
	0515470	47μF 50V E.C.	1 B	R07	0135338	0.33Ω	2 B				
	0515101	100μF 50V E.C.	1 A	R08	0135338	0.33Ω	1 B				
	0655103	10000pF 500V C.C.	2 A	R09	0135338	0.33Ω	2 B				

Note: In parts list above, there are two model numbers as model A and B. Regarding name of model A, B, please refer to "Notes" indicated on page 1.

6-2. F-2547 Protector Circuit Board (Stock No. 7593111)

Conductor Side

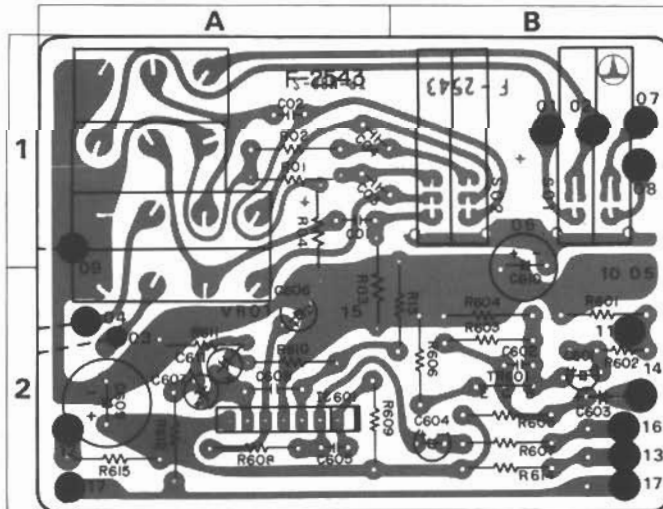


Parts List

Parts No.	Stock No.	Description	Position	Parts No.	Stock No.	Description	Position	Parts No.	Stock No.	Description	Position		
TR01	0305951, 3	25C945 (Q, P, K)	1A	D13, 14	0310970	1N460P	Diode	R03	0107223	22kΩ	1A		
	0306131, 3	25C1364 (6, 7, 8)				0311060		1N460 P		R04, 05	0107473	47kΩ	1A
TR02	0305951, 3	25C945 (Q, P, K)		1A	LD01	0319040	GL-40R8B	L.E.D.	R06, 07	0107432	3.3kΩ	1/2W C.R.	1, 2A
	0306131, 3	25C1364 (6, 7, 8)				C01	0513330	33pF	25V E.C.	R08	0107152	1.5kΩ	1, 2A
TR03	0305951, 3	25C945 (Q, P, K)	2B	C02	0514221	220pF	35V E.C.	R09, 10	0107224	220kΩ	1/2W C.R.	2B	
	0306131, 3	25C1364 (6, 7, 8)			C03	0510471	470pF	6.3V E.C.	R11	0107152	1.5kΩ	1/2W C.R.	1B, 2B
TR04	0305951, 3	25C945 (Q, P, K)	2B	C04	0515109	1pF	50V E.C.	R12	0107152	1.5kΩ	1/2W C.R.	2B	
	0306131, 3	25C1364 (6, 7, 8)			C05	0530470	47pF	6.3V E.C.	R13, 14	0201100	105Ω	1W M.R.	2A
D01	0310340	10D1	1A	C06	0515109	1pF	50V E.C.	R15, 16	0201101	105Ω	1W M.R.	2A, 1, 2A	
D02	0310340	10D1	2A	C07	0515109	1pF	50V E.C.	R17, 18	0155221	220Ω	5W Ce.C	1, 2B	
D03	0310340	10D1	1A	C08	0601108	0.1pF	50V M.C.	R19, 20	0133100	105Ω	3W Ce.C	2B	
D04	0310330, 1	1N460	1A	C09	0601108	0.1pF	50V M.C.	R21, 22	0107180	185Ω	1/2W C.R.	2B, 1A, B	
D05	0310330, 1	1N460	1A	C10	0601108	0.1pF	50V M.C.	R23, 24	0107102	1kΩ	1/2W C.R.	2B	
D06	0310330, 1	1N460	1A	C11	0601108	0.1pF	50V M.C.	RL01	1150101	Relay	2A		
D07	0310330, 1	1N460	1A	C12	0535109	1pF	50V E.C.		1150280	Relay			
D08, 09	0310970	1N460P	2B	R01	0107104	100kΩ	1/2W C.R.	VR01, 02	1035110	4.7kΩ B	2B		
D11, 12	0311160	152473D	2B	R02	0107100	10kΩ	1/2W C.R.	S01	1102650	Rotary Switch	1B		
	0311180	151588											

6-3. F-2543 Tone Control Circuit Board (Stock No. 7561171)

Conductor Side



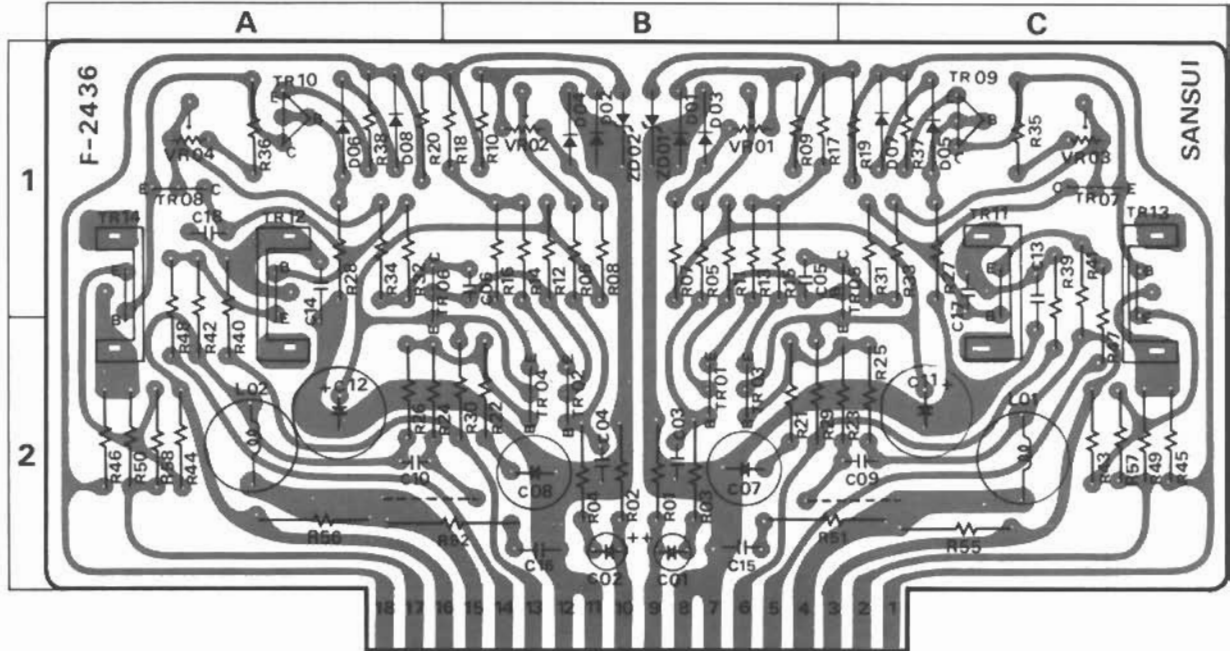
Parts List

Parts No.	Stock No.	Description	Position	Parts No.	Stock No.	Description	Position	Parts No.	Stock No.	Description	Position	
TR01	0306070-2	25C1313 (F, G, H) Transistor	2A	C01, 02	0620471	470pF	50V P.C.	VR01	1D60320, 1	250kΩ BX2	1, 2A	
IC01	0360190	8A312 IC			C03, 04	0600277	0.027pF	50V M.C.	S01	1171120	Lever Switch	1B
					C01	0600687	0.068pF	50V M.C.				

Parts No.	Stock No.	Description	Position	
C02	0657330	33pF	50V C.C.	2B
C03	0519105	2.2pF	50V E.C.	2B
C04	0519105	2.2pF	50V E.C.	2B
C05	0657330	33pF	50V C.C.	2A
C06	0502070	47pF	4.0V A.C.	2, 1
C07	0519101	1pF	50V E.C.	2A
C08	0657331	330pF	50V C.C.	2A
C09	0515101	100pF	50V E.C.	2A
C10	0510471	470pF	6.3V E.C.	1, 2B
C11, 12	0519106	4.7pF	50V E.C.	2A
R01, 02	0107183	18kΩ		1A
R03, 04	0107824	820kΩ		1, 2A, 1A
R05	0107563	56kΩ		2B
R06	0106222	2.2kΩ		2B
R07	0107564	560kΩ		1/2W C.R.
R08	0107563	56kΩ		2B
R09	0107333	33kΩ		2B
R10	0107561	560Ω		2B
R11	0107222	2.2kΩ		2B
R12	0107104	100kΩ		2A
R13	0107154	150kΩ		2A
R14	0107223	22kΩ		2A
R15	0107224	220kΩ		1/2W C.R.
R16	0107271	270Ω		2A
R17	0107221	220Ω		2B
R18	0107181	180Ω		2B
R19	0107391	390Ω		1/2W C.R.

6-4. F-2436 Driver Circuit Board (Stock No. 7571201)

Conductor Side

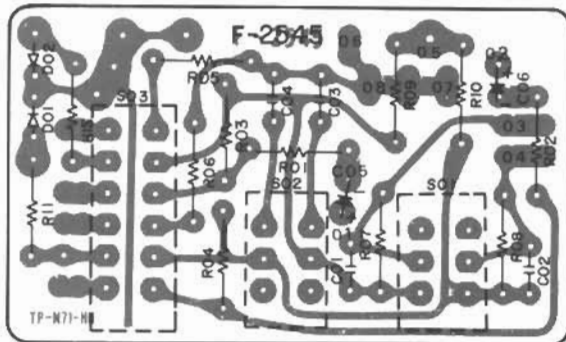


Parts List

Parts No.	Stock No.	Description	Position	Parts No.	Stock No.	Description	Position	Parts No.	Stock No.	Description	Position	
TR01,02	0306271	25C1708 (G)	2 B	C03,04	0657101	100pF 50V C.C.	2 B	R25,26	0107124	120kΩ	1/4W C.R.	2D, 2A
TR03,04	0306271	25C1708 (G)	2 B	C05,06	0657150	15pF 50V C.C.	1 B	R27,28	0107333	33kΩ	1/4W C.R.	1C, 1A
TR05,06	0300700, 1	25A818 (O, Y)	1,2C, 1,2A	C07,08	0530101	100-μF 6.3V E.C.	2 B	R29,30	0191391	390Ω	1/4W Fuse Resistor	2B, 2A
	0300801, 2	25A849 (B, V)	1,2C, 1,2A	C11,12	0519903	100-μF 80V E.C.	2 C, 2 A	R31,32	0107390	39Ω	1/4W C.R.	1C, 1A
TR07,08	0305871, 2	25C984 (B, C)	1C, 1 A	C13,14	0651333	33000pF 50V C.C.	1,2C, 1,2A	R33,34	0107332	33kΩ	1/4W C.R.	1C, 1A
TR09,10	0306260, 1	25C1628 (O, Y)	1C, 1 A	C15,16	0601108	0.1-μF 50V M.C.	2 B	R35,36	0107152	15kΩ	1/4W C.R.	1C, 1A
	0306411, 2	25C1720 (B, V)	1C, 1 A	C17,18	0657101	100pF 50V C.C.	1 C, 1 A	R37,38	0107181	180Ω	1/4W C.R.	1C, 2 A
TR11,12	0308531, 2	25D381 (2) (M, L)	1,2C, 1,2A	R01,02	0107124	120kΩ	2 B	R39,40	0191100	10Ω	1/4W Fuse Resistor	1,2C, 1,2A
TR13,14	0303371, 2	25B536 (2) (M, L)	1,2C, 1,2A	R03,04	0107103	10kΩ	2 B	R41,42	0107151	150Ω	1/4W C.R.	1,2C, 1,2A
D01,02	0311160	152473D	1 B	R05,06	0107124	120kΩ	1 B	R43,44	0191220	22Ω	1/4W Fuse Resistor	2C, 2 A
	0311180	151588	Diode	R07,08	0107683	68kΩ	1 B	R45,46	0107151	150Ω	1/4W C.R.	2C, 2 A
D03,04	0311160	152473D	1 B	R09,10	0107223	22kΩ	1/4W C.R.	R47,48	0191479	4.7Ω	1/4W C.R.	1,2C, 1,2A
	0311180	151588	Diode	R11,12	0107102	1kΩ	1 B	R49,50	0191479	4.7Ω	1/4W Fuse Resistor	2C, 2 A
D05,06	0340120	VD1212	Variistor	R13,14	0107220	22Ω	1 B	R51,52	0153100	10Ω	3W Co.R.	2B, C, 2A, B
	0315850	EQA01-09	Zener diode	R15,16	0107220	22Ω	1 B	R01,02	0107183	18kΩ	1/4W C.R.	
ZD01,02	0315860	EQA01-09R	Zener diode	R17,18	0107332	33kΩ	1 B	VR01,02	1035350	4.7kΩ(B) DC OV Adjust Volume	1 B	
	0315870	EQA01-09S	Zener diode	R19,20	0201822	8.2kΩ	1W C.R.	VR03,04	1035310	1kΩ(B) Bias Current Adjust Volume	1C, 1 A	
C01,02	0519103	0.47-μF 50V E.C.	2 B	R21,22	0107182	1.8kΩ	1/4W C.R.					
				R23,24	0107274	270kΩ	2D, 2 A					

6-5. F-2545 Filter & Muting Circuit Board (Stock No. 7593091)

Conductor Side

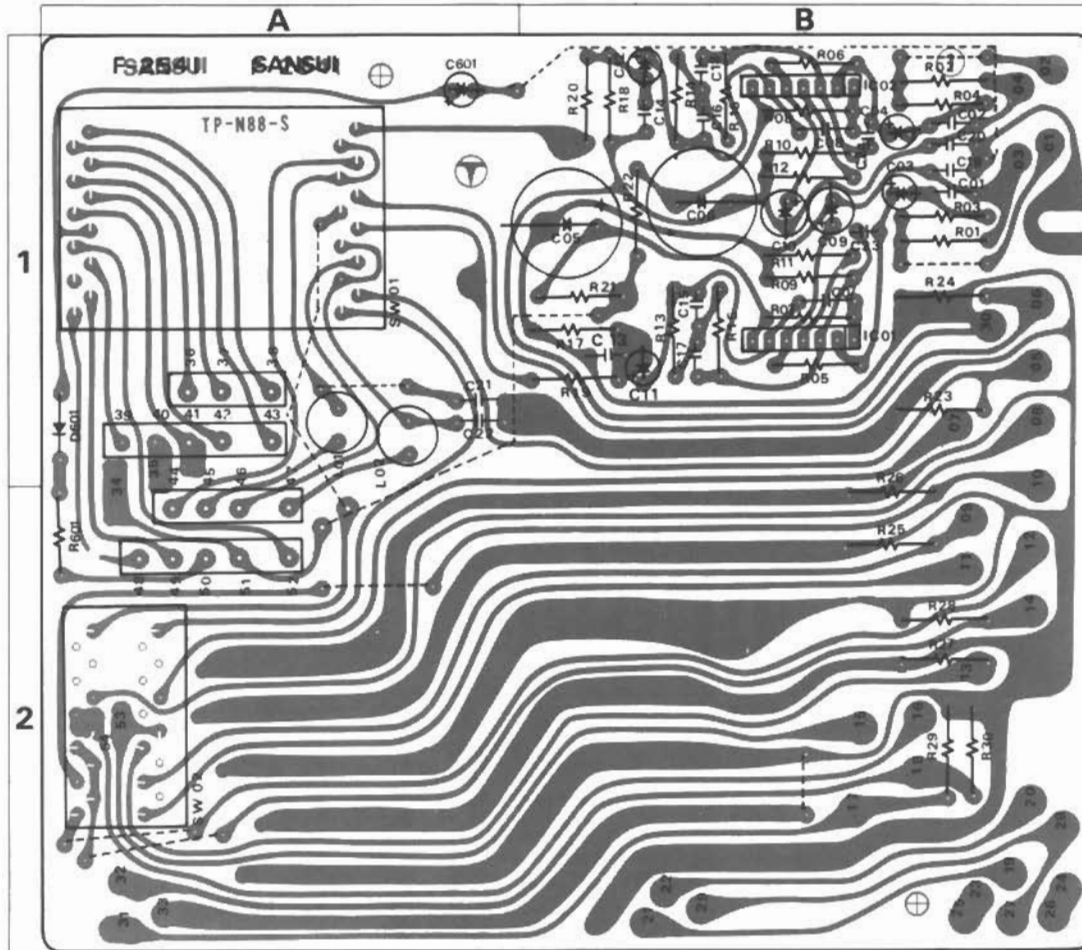


Parts List

Parts No.	Stock No.	Description
D01,02	0311160	152473D
	0311180	151588
	0310970	1F460P
	0311060	1F460 P
C01,02	0600187	0.018-μF 50V M.C.
C03,04	0600187	0.018-μF 50V M.C.
C05,06	0519105	2.2-μF 50V E.C.
R01,02	0107332	33kΩ
R03,04	0107273	27kΩ
R05,06	0107332	33kΩ
R07,08	0107824	820kΩ
R09,10	0107153	15kΩ
S01	1131170	Push Switch

6-6. F-2541 Equalizer Circuit Board (Stock No. 7550731)

Conductor Side

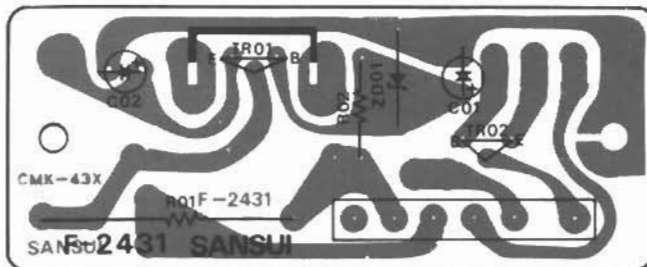


Parts List

Parts No.	Stock No.	Description	Position	Parts No.	Stock No.	Description	Position	Parts No.	Stock No.	Description	Position
IC01-02	0360190	BA312 IC	1B	C19-20	0657473	47000pF 50V C.C.	1B	R19-20	0107221	220Ω	1B
D901	0311160	1524730 Diode	1A	C21-22	0600826	0.0082μF 50V M.C.	1A	R21-22	0107681	680Ω	1B
	0311180			151588	C23-24	0657220	22pF 50V C.C.	1B	R23-24	0107224	220Ω
C01-02	0657470	47pF 50V C.C.	1B	C601	0515109	1μF 50V E.C.	1A	R25-26	0107224	220Ω	2B
C03-04	0519102	3.3μF 50V E.C.	1B	C701	0515109	1μF 50V E.C.	1B	R27-28	0107224	220Ω	2B
	0573339	3.3μF 35V T.C.			0657473	47000pF 50V C.C.		R29-30	0107224	220Ω	2B
C05-06	0515471	470μF 50V E.C.	1B	R01-02	0107563	56Ω	1B	L01-02	4900090	Inductor	1A
C07-08	0657470	47pF 50V C.C.	1B	R03-04	0107472	4.7Ω	1B		S01	1103550	Rotary Switch
C09-10	0510470	47μF 6.3V E.C.	1B	R05-06	0107823	82Ω	1B	S02	1102660	Rotary Switch	
C11-12	0519101	1μF 50V E.C.	1B	R07-08	0107394	390Ω	1/4W C.R.		2410570	5P Pin Assy Type D	
	0573109	1μF 35V T.C.		R09-10	0107821	820Ω	1B		2410580	3P Pin Assy Type D	
C13-14	0657331	330pF 50V C.C.	1B	R11-12	0107330	33Ω	1B		2410590	4P Pin Assy Type D	
C15-16	0600276	0.0027μF 50V M.C.	1B	R13-14	0107273	27Ω	1B				
C17-18	0600107	0.01μF 50V M.C.	1B	R15-16	0107334	330Ω	1B				
				R17-18	0107224	220Ω	1/4W C.R.	1B			

6-7. F-2431 Power Supply Circuit Board (Stock No. 7501301)

Conductor Side

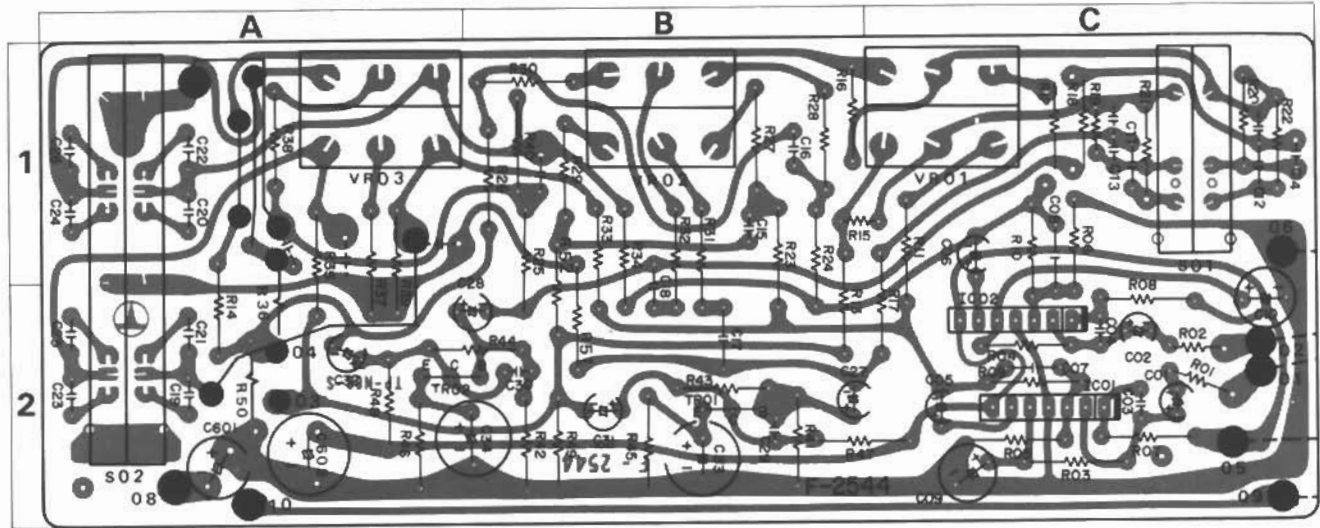


Parts List

Parts No.	Stock No.	Description
TR01	0308390-2	2SD313 (C. D. E) Transistor
D901	0310340	10D1
	0315970	EQA01-13R Diode
C01	0512221	220μF 16V E.C.
C02	0512101	100μF 16V E.C.
C03	0511471	470μF 10V E.C.
R01	0183391	390Ω 3W C.R.
R02	0107472	4.7Ω 1/4W C.R.
R03	0183391	390Ω 3W C.R.

6-8. F-2544 Tone Control Circuit Board (Stock No. 7561191 MODEL A) (Stock No. 7561181 MODEL B)

Conductor Side



Parts List

Parts No.	Stock No.	Description	Position	Parts No.	Stock No.	Description	Position	Parts No.	Stock No.	Description	Position
TR01,02	0306070-2	25C1313 (F, G, H) Transistor	2B, 1A, B	R01,02	0106222	2.2kΩ	2C	R09,30	0107224	220kΩ	2B, 2A
IC01,02	0360190	BA312 IC	2C	R03,04	0107154	150kΩ	2C	R31,32	0107273	27kΩ	1, 2B
C01,02	0519101	1μF 50V E.C.	2C	R05,06	0107102	1kΩ	2C, 1C	VR01	1010930,1	100kΩ B	1C
C03,04	0657330	33pF 50V C.C.	2C	R07,08	0107474	470kΩ	1C, 1,2C	VR02	1010930,1	100kΩ B	1B
C05,06	0519001	10μF 25V E.C.	1C	R11,12	0107562	5.6kΩ	1B, C	VR03	1010930,1	100kΩ B	1A
C07,08	0657101	100pF 50V C.C.	1C	R13,14	0107562	5.6kΩ	1B	*MODEL A Only			
C09,10	0510470	47μF 6.3V E.C.	1, 2C	R15	0106274	270kΩ	1C	C11,12	0600106	0.001μF 50V M.C.	1C
C13,14	0600186	0.0018μF	1C	R16	0107274	270kΩ	1C	C21,22	0600127	0.012μF 50V M.C.	2A, 1A
C15,16	0600336	0.0033μF	1B	R17,18	0107222	2.2kΩ	1, 2B	1B	0600127	0.012μF 50V M.C.	2A, 1A
C17,18	0600476	0.0047μF 50V M.C.	1, 2B	R23,24	0107682	6.8kΩ	1, 2B	R09,10	0107123	12kΩ 1/4W C.R.	2C, 1, 2C
C19,20	0600337	0.033μF	1A	R25,26	0107682	6.8kΩ	1/4W C.R.	R19	0106824	820kΩ 1/4W C.R.	1C
C23,24	0600337	0.033μF	1A	R27,28	0107562	5.6kΩ	1B	R20	0107824	820kΩ 1/4W C.R.	1C
C27,28	0519105	2.2μF 50V E.C.	2A, B	R29,30	0107562	5.6kΩ	1B	R21,22	0107824	820kΩ 1/4W C.R.	1C
C29,30	0657330	33pF 50V C.C.	2B	R31,32	0107223	22kΩ	1, 2B	S01	1171240	Lever Switch	1C
C31,32	0519001	10μF 25V E.C.	2A	R33,34	0107153	15kΩ	1, 2B	S02	1171220	Lever Switch	1, 2A
C33,34	0510221	220μF 6.3V E.C.	2A, B	R35,36	0107153	15kΩ	1, 2A	*MODEL B Only			
C601	0510471	470μF 6.3V E.C.	2A	R37,38	0107222	2.2kΩ	1, 2A, 1A	Rv,10	0107103	10kΩ 1/4W C.R.	2C, 1, 2C
C602	0514221	220μF 35V E.C.	2A	R39,40	0107224	220kΩ	1, 2A, 1B				
				R41,42	0107124	120kΩ	2B				
				R43,44	0107474	470kΩ	2B, 2A, B				
				R45,46	0107331	330kΩ	2B, 2A				
				R47,48	0107562	5.6kΩ	2B, C, 2A				

Note: In parts list above, there are two model numbers as model A and B.
Regarding name of model A, B, please refer to "Notes" indicated on page 1.

6-9. F-2542 Accessory Switch Circuit Board (Stock No. 7593071)

Conductor Side

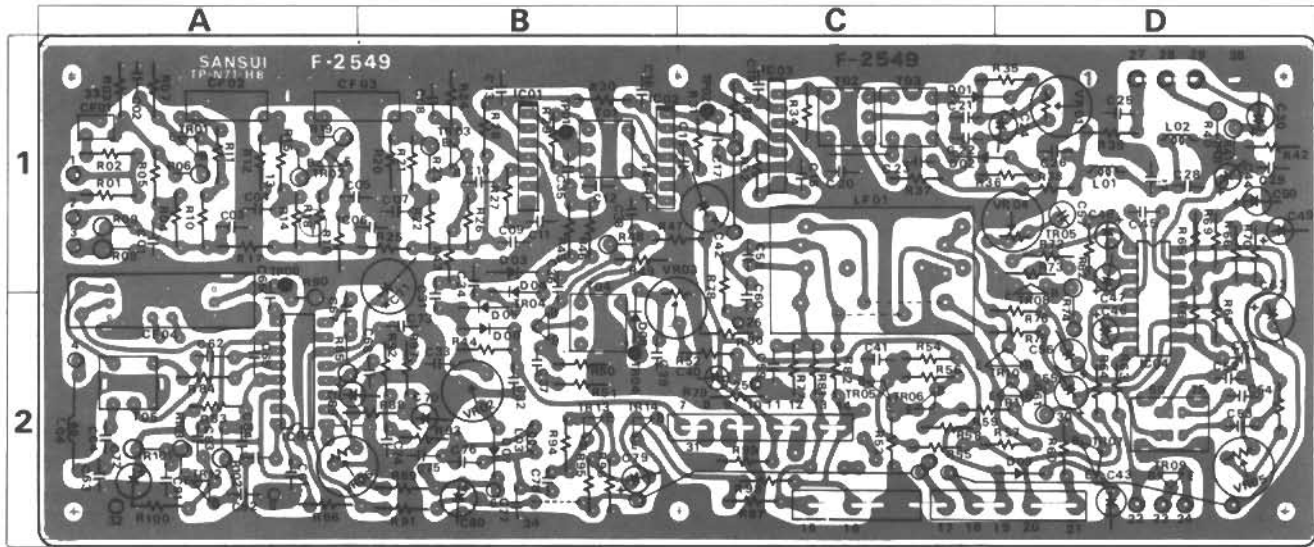


Parts List

Parts No.	Stock No.	Description
C601	0512330	33μF 16V E.C.
R01,02	0107822	82kΩ
R03	0107102	1kΩ 1/4W C.R.
R01	0107681	680Ω
S01	1131160	Push Switch
S02	1171120	Lever Switch
	2410700	6P Pin Assy Type F

6-10. F-2549 FM, AM Tuner Circuit Board (Stock No. 7593171)

Conductor Side



Parts List

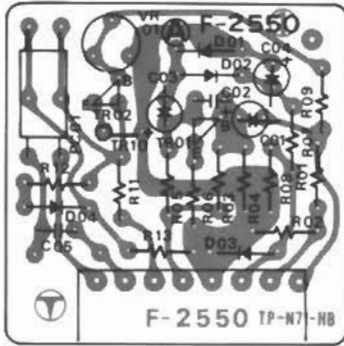
Parts No.	Stock No.	Description	Position	Parts No.	Stock No.	Description	Position	Parts No.	Stock No.	Description	Position	
TR01	0306113	25C738 (D)	1A	C24	0512100	*10µF 16V E.C.	1D	R07	0113122	1.2kΩ	1/4W S.R.	1A
TR02	0306113	25C738 (D)	1A	C25	0657223	22000pf	50V C.C.	R08	0106333	33kΩ	1/4W C.R.	1A
TR03	0306112	25C738 (C)	1B	C26	0620181	180pf	50V P.C.	R09	0106104	100kΩ	1/4W C.R.	1A
TR04	0306112	25C738 (C, D)	2B	C27	0620331	330pf	50V P.C.	R10	0113331	330Ω	1/4W S.R.	1A
TR05	0305731	25C711 (E, F)	2C	C28	0620101	100pf	50V P.C.	R11	0113101	100Ω	1/4W S.R.	1A
TR06	0305731	25C711 (E, F)	2C	C29	0620151	150pf	50V P.C.	R12	0113332	3.3kΩ	1/4W S.R.	1A
TR07	0300281	25A628 (D, E)	2D	C31	0657221	220pf		R13	0113471	470Ω	1/4W S.R.	1A
TR08	0305731	25C711 (E)	1, 2D	C32	0657221	220pf		R14	0113102	1.0kΩ	1/4W S.R.	1A
TR09	0300221	25A562 (Y)	2D	C33	0657223	22000pf		R15	0106151	150Ω	1/4W C.R.	1A
TR10, 11	0305371	25C733 (Y)	2D	C34	0657221	220pf		R16	0113122	1.2kΩ	1/4W S.R.	1A
	0305641	25C735 (Y)	2D	C35	0657102	1000pf	50V C.C.	R17	0113479	4.7kΩ	1/4W S.R.	1A
TR12	0300281	25A628 (D)	2A	C36	0657102	1000pf		R18	0113331	300Ω	1/4W S.R.	1A
TR13	0306091	25C1312 (G)	2B	C37	0657223	22000pf		R19	0106101	100Ω	1/4W C.R.	1A
TR14	0305371	25C733 (Y)	2B	C38	0657223	22000pf		R20	0113222	2.2kΩ	1/4W S.R.	1B
				C39	0657101	1000pf		R21	0113471	470Ω	1/4W S.R.	1B
IC01	0360120	µPC555H	1B	C40	0519101	1µF 50V E.C.	2C	R22	0113562	5.6kΩ	1/4W S.R.	1B
IC02	0360120	µPC555H	1B	C41	0657221	220pf	50V C.C.	R23	0106221	220Ω	1/4W C.R.	1B
IC03	0360120	µPC555H	1C	C42	0512470	47µF 16V E.C.	1C	R24	0113391	390Ω	1/4W S.R.	1B
IC04	0360320	HA1196	1, 2D	C44	0573688	0.68µF 35V T.C.	1D	R25	0113476	4.7kΩ	1/4W S.R.	1B
IC05	0360150	HA 1151	2A	C45	0600477	0.04µF 50V M.C.	1D	R26	0113102	1.0kΩ	1/4W S.R.	1B
				C46	0573228	0.22µF 35V T.C.	2D	R27	0113102	1.0kΩ	1/4W S.R.	1B
D01	0311060	1N60-P	2C, B	C47	0519104	1.5µF 50V E.C.	1D	R28	0113479	4.7kΩ	1/4W S.R.	1B
D02	0311060	1N60-P	2C, B	C48	0519102	3.3µF 50V E.C.	1D	R29	0113103	1.0kΩ	1/4W S.R.	1B
D03	0310330, 1	1N60	1B	C49, 50	0512100	10µF 16V E.C.	1D	R30	0113479	4.7kΩ	1/4W S.R.	1B
D04	0310330, 1	1N60	1, 2B	C51, 52	0600126	0.0012µF 50V M.C.	2D	R31	0113102	1.0kΩ	1/4W S.R.	1C
D05	0310330, 1	1N60	2B	C53, 54	0620511	510pf 50V P.C.	2D	R32	0113102	1.0kΩ	1/4W S.R.	1C
D06	0310330, 1	1N60	2B	C55, 56	0519101	1µF 50V E.C.	2D	R33	0113479	4.7kΩ	1/4W S.R.	1C
D07	0310330, 1	1N60	2B	C57	0629005	360pf 50V P.C.	1D	R34	0113682	6.8kΩ	1/4W S.R.	1C
D08	0310330, 1	1N60	2B	C59, 60	0600186	0.0018µF 50V M.C.	1, 2C	R35	0113102	1.0kΩ	1/4W S.R.	1C, D
D09	0311160	152473D		C62	0657103	10000pf 50V C.C.	2A	R36	0113102	1.0kΩ	1/4W S.R.	1C, D
	0311180	151583		C63	0669400	15pf 50V C.C.	2D	R37	0113101	100Ω	1/4W S.R.	1C
D10	0311160	152473D		C64	0620361	360pf 50V P.C.	2A	R38	0113471	470Ω	1/4W S.R.	1D
	0311180	151588		C66	0657103	10000pf	1, 2A	R39	0113153	15kΩ	1/4W S.R.	1D
D11	0311160	152473D		C67	0657102	1000pf	50V C.C.	R42	0113103	1.0kΩ	1/4W S.R.	1D
	0311180	151588		C68	0657102	1000pf		R43	0113102	1.0kΩ	1/4W S.R.	1B
				C69	0515339	3.3µF 50V	2A, B	R44	0113222	2.2kΩ	1/4W S.R.	2B
C01	0657223	22000pf	1A	C70	0512100	10µF 16V	2B	R45	0113102	1.0kΩ	1/4W S.R.	1B
C02	0657223	22000pf	1A	C71	0512101	100µF 16V	1, 2B	R46	0113332	3.3kΩ	1/4W S.R.	1B
C03	0657223	22000pf	1A	C72	0512470	47µF 16V	2A	R47	0113222	2.2kΩ	1/4W S.R.	1B, C
C04	0657223	22000pf	1A	C73	0600337	0.033µF	2B	R48	0106183	18kΩ	1/4W C.R.	1B
C05	0657223	22000pf	1A, B	C74	0600337	0.033µF	2B	R49	0113103	1.0kΩ	1/4W S.R.	1B
C06	0657223	22000pf	1A, B	C75	0600107	0.01µF	2B	R50	0113102	1.0kΩ	1/4W S.R.	2B
C07	0657223	22000pf	1B	C76	0600107	0.01µF	50V M.C.	R31	0113820	82Ω	1/4W S.R.	2B
C08	0657223	22000pf	1B	C77	0600227	0.022µF	2B	R52	0113683	68kΩ	1/4W S.R.	2C
C09	0657223	22000pf	1B	C78	0600157	0.015µF	2B	R53	0113820	82Ω	1/4W S.R.	2C
C10	0657102	1000pf	1B	C79	0519101	1µF 50V E.C.	2B	R54	0113473	4.7kΩ	1/4W S.R.	2C
C11	0657223	22000pf	1B	C80	0510470	47µF 6.3V E.C.	2B	R56	0113104	100kΩ	1/4W S.R.	2C
C12	0657223	22000pf	1B	C81	0657223	22000pf	2A	R57	0113104	100kΩ	1/4W S.R.	2C, D
C13	0657223	22000pf	1B	C82	0657102	10000pf	2A	R58	0113562	5.6kΩ	1/4W S.R.	2C
C14	0657223	22000pf	1B	C83	0657331	330pf	50V C.C.	R59	0113333	33kΩ	1/4W S.R.	2C, D
C15	0657223	22000pf	1C	C84	0657223	22000pf	2A	R61	0106472	4.7kΩ	1/4W C.R.	2D
C16	0657223	22000pf	1B	C85	0512470	47µF 16V E.C.	2A	R62	0113102	1.0kΩ	1/4W S.R.	1D
C17	0657102	1000pf	1C					R63	0113221	220Ω	1/4W S.R.	2D
C18	0657223	22000pf	1C					R64	0113104	100kΩ	1/4W S.R.	2D
C19	0657223	22000pf	1C	R01	0113102	1.0kΩ	1A	R65, 66	0113273	27kΩ	1/4W S.R.	1D
C20	0657223	22000pf	1C	R02	0113101	100Ω	1A	R67, 68	0113473	4.7kΩ	1/4W S.R.	1, 2D
C21	0657151	150pf	1C	R03	0113332	3.3kΩ	1/4W S.R.	R69, 70	0113682	6.8kΩ	1/4W S.R.	1D
C22	0657151	150pf	1C	R04	0113102	1.0kΩ	1A	R71	0113103	1.0kΩ	1/4W S.R.	2D
C23	0657151	150pf	1C	R05	0113471	470Ω	1A	R72	0107184	180kΩ	1/4W C.R.	1D
				R06	0106151	150Ω	1/4W C.R.					

Parts No.	Stock No.	Description	Position
R73	0113151	150Ω 1/4 W S.R.	1 D
R74	0106104	180kΩ 1/4 W C.R.	1, 2 D
R75, 76	0113332	3.3kΩ 2 D	2 D
R77, 78	0113333	33kΩ 1, 2 C	1, 2 C
R79, 80	0113223	22kΩ 2 C	2 C
R81, 82	0113182	1.8kΩ 1/4 W S.R.	2 C
R83	0113392	3.9kΩ 2 A	2 A
R84	0113100	10Ω 2 A	2 A
R85	0106331	330Ω 1/4 W C.R.	2 A
R86	0113151	150Ω 2 A	2 A
R87	0113103	10kΩ 1/4 W S.R.	2 B
R88	0113272	2.7kΩ 2 A	2 A
R89	0113152	1.5kΩ 1/4 W S.R.	2 B
R90	0106562	5.6kΩ 1/4 W C.R.	2 A
R91	0113101	100Ω 2 B	2 B
R92	0113182	1.8kΩ 2 B	2 B
R93	0113102	1.0kΩ 1/4 W S.R.	2 B
R94	0113224	220kΩ 2 B	2 B
R95	0113561	560Ω 2 B	2 B

Parts No.	Stock No.	Description	Position
R96	0113221	220Ω 2 B	2 B
R97, 98	0113332	3.3kΩ 1/4 W S.R.	2 C
R100	0113332	3.3kΩ 2 A	2 A
R101	0106152	1.5kΩ 1/4 W	2 A
R102	0106473	47kΩ 2 A	2 A
R103	0106390	39Ω 2 A	2 A
R104	0106123	12kΩ 1/4 W C.R.	2 A
R901	0106473	47kΩ 2 A	2 A
R902	0106153	15kΩ 2 A	2 A
R903	0107273	27kΩ 2 A	2 A
L01	4900250	Inductor	1 D
L02	4900240	Inductor	1 D
L03	4900220	Inductor	2 B
L04	4290011	Choke Coil	2 A
T01	4235860	FM IF Coil	1 B
T02	4235750	FM IF Coil	1 C
T03	4235760	FM IF Coil	1 C
T04	4235940	FM IF Coil	2 B

Parts No.	Stock No.	Description	Position
T05	4220550	OSC Coil	2 A
CF01	0910150	Ceramic Filter	1 A
CF02	0910330	Low Pass Filter	1 A
CF03	0910330	Low Pass Filter	1 A, B
CF04	0910310	Ceramic Filter	1, 2 A
LF01	0910210	Low Pass Filter	1, 2 C
VR01	1035190	22kΩ B	1 D
VR02	1035170	47kΩ B	2 B
VR03	1035170	47kΩ B	1 B, C
VR04	1034250	4.7kΩ B	1 C, D
VR05	1035210	220kΩ B	2 D
VR06	1035110	4.7kΩ B	2 A, B
S01	1110270	Slide Switch	
	2410570	5P Pin Assy Type D	
	2410590	4P Pin Assy Type D	
	2410740	8P Pin Assy Type A	

6-11. F-2550 Multi-Path Circuit Board (Stock No. 7593181)



Parts List

Parts No.	Stock No.	Description
TR01	0305731, 2	25C711 (E, F) Transistor
TR02	0305733	25C711 (G) Transistor
D01	0310330, 1	1N60
D02	0310330, 1	1N60
D03	0310330, 1	1N60
D04	0310330, 1	1N60
PC01	0920060	Photo-cell Lamp
C01	0515109	1μF 50V E.C.
C02	0657101	100μF 50V C.C.
C03	0513479	4.7μF 25V E.C.
C04	0512100	10μF 16V E.C.
C05	0600107	0.01μF 50V M.C.

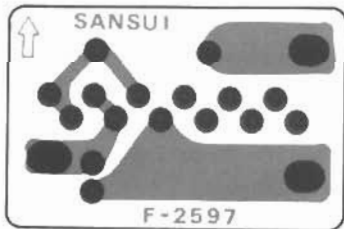
Parts No.	Stock No.	Description
R01	0113473	47kΩ
R02	0113104	100kΩ
R03	0113563	56kΩ
R04	0113103	10kΩ
R05	0113182	1.8kΩ 1/4 W S.R.
R06	0113331	330Ω
R07	0113392	3.9kΩ
R08	0113223	22kΩ
R09	0113153	15kΩ
R10	0113479	4.7kΩ
R11	0113102	1.0kΩ 1/4 W S.R.
R12	0113561	560Ω
R13	0113470	47Ω
VR01	1035190	100kΩ B
	2420300	BP Connector Assy Type A

6-12. F-1470 Lamp Circuit Board (Stock No. 7593151)

Parts List

Parts No.	Stock No.	Description
R01	0191180	18Ω 1/4 W Fuse Resistor
PE01, 04	0420040	7V 320MA

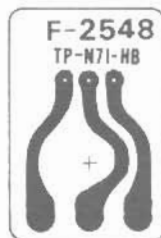
6-13. F-2597 Connector Circuit Board (Stock No. 7593901)



Parts List

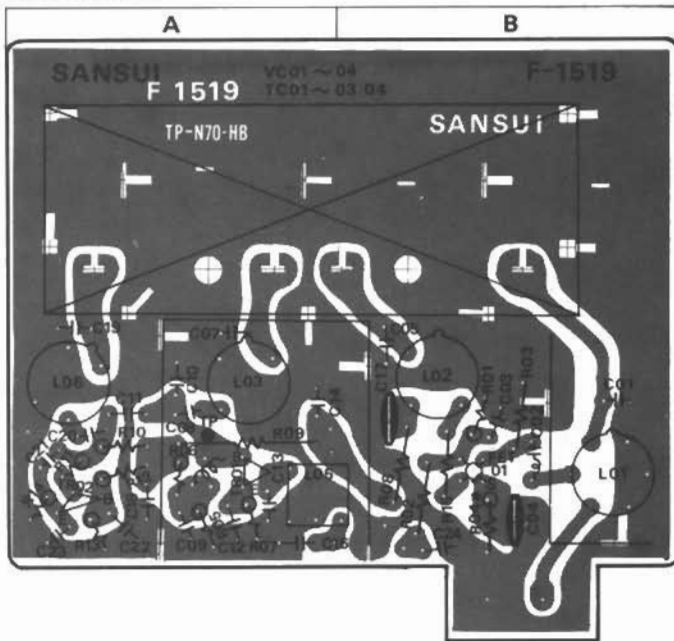
Parts No.	Stock No.	Description
C01	0515109	1μF 50V E.C.
R01	0107472	4.7kΩ 1/4 W C.R.

6-14. F-2548 Protector Connector Circuit Board (Stock No. 7593131)



6-15. F-1519 FM Pack (Stock No. 7510650)

Conductor Side



Parts No.	Stock No.	Description	Position
C01	0669342	5.6pF	
C02	0657102	1000pF	B
C03	0657223	0.022μF	B
C04	0659015	2200pF	B
C05	0669345	10pF	B
C06	0679023	0.39pF	B
Capacitor			
C07	0669345	10pF	A
C08	0669210	10pF	A
C09	0657102	1000pF	A
C10	0661220	22pF	A
C11	0669202	2.2pF	A
C12	0657223	0.022μF	A
C13	0660121	120pF	A
C14	0657223	0.022μF	A
C16	0660331	330pF	A
C17	0659015	2200pF	B
C18	0657223	0.022μF	A
C19	0669375	15pF	A
C20	0657102	1000pF	A
C21	0669209	8.2pF	A
C22	0657223	0.022μF	A
50V C.C.			
C23	0661220	22pF	A
C24	0657223	0.022μF	B
R01	0106105	1MΩ	1/4W C.R.(ELR.) B
R02	0113104	100kΩ	1/4W S.R. B
R03	0113104	100kΩ	1/4W S.R. B
(3SK41(1)K)			
R04	0106101	100Ω	B
	0106680	68Ω	(3SK41(1)L) B
R05	0106682	6.8kΩ	1/4W C.R.(ELR.) A
R06	0106123	12kΩ	A
R07	0106392	3.9kΩ	A
R08	0113121	120Ω	1/4W S.R. B
R09	0113271	270Ω	1/4W S.R. A
R10	0106392	3.9kΩ	A
R11	0106121	120Ω	A
R12	0106682	6.8kΩ	1/4W C.R. A
R13	0106222	2.2kΩ	A
R14	0106182	1.8kΩ	A
R15	0113680	68Ω	1/4W S.R. B
		2260010	Test Pin

Parts List

Parts No.	Stock No.	Description	Position	Parts No.	Stock No.	Description	Position
TR01	0305800, 1	2SC1047 (A, B)	Transistor	L04	4290110	Choke Coil	A
TR02	0305790, 1	2SC930 (C, D)		L05	4235910	IF Coil	A, B
FET01	0370131, 2	3SK41 (K, L)	FET	L06	4220430	OSC Coil	A
L01	4200640	Antenna Coil	B	VC01~04	1220130	FM, AM Variable Capacitor	A, B
L02	4210330	RF Coil (1)	B	TC01~03			A, B
L03	4210220	RF Coil (2)	A	TC04	1230090	FM OSC Trimmer	A, B

6-16 Figures Semiconductor

SEMICONDUCTORS	COMPLETE CIRCUIT BOARD	SEMICONDUCTORS	COMPLETE CIRCUIT BOARD	SEMICONDUCTORS	COMPLETE CIRCUIT BOARD
2SA849 2SC945 2SC1364	F-2436 F-2547	BA312	F-2541 F-2544	1N60 1N60P	F-2545 F-2547 F-2549 F-2552
2SC984	F-2436	μPC555A	F-2431	10D1	F-2431 F-2547
2SA628 2SC711 2SC738D 2SC1312 2SC1313 2SC1708	F-2436 F-2543 F-2544 F-2549 F-2550	HA1151	F-2549	VD1212	F-2436
2SC1720	F-2436	2SA818 2SC1628	F-2436	1S2473D 1S1588	F-2436 F-2541 F-2545 F-2549
2SB536 2SD313 2SD381	F-2431 F-2436	HA1196	F-2549	EQA01-09 EQA01-09R EQA01-09S EQA01-13R	F-2431 F-2436

Connector & Pin Ass'y

Connector

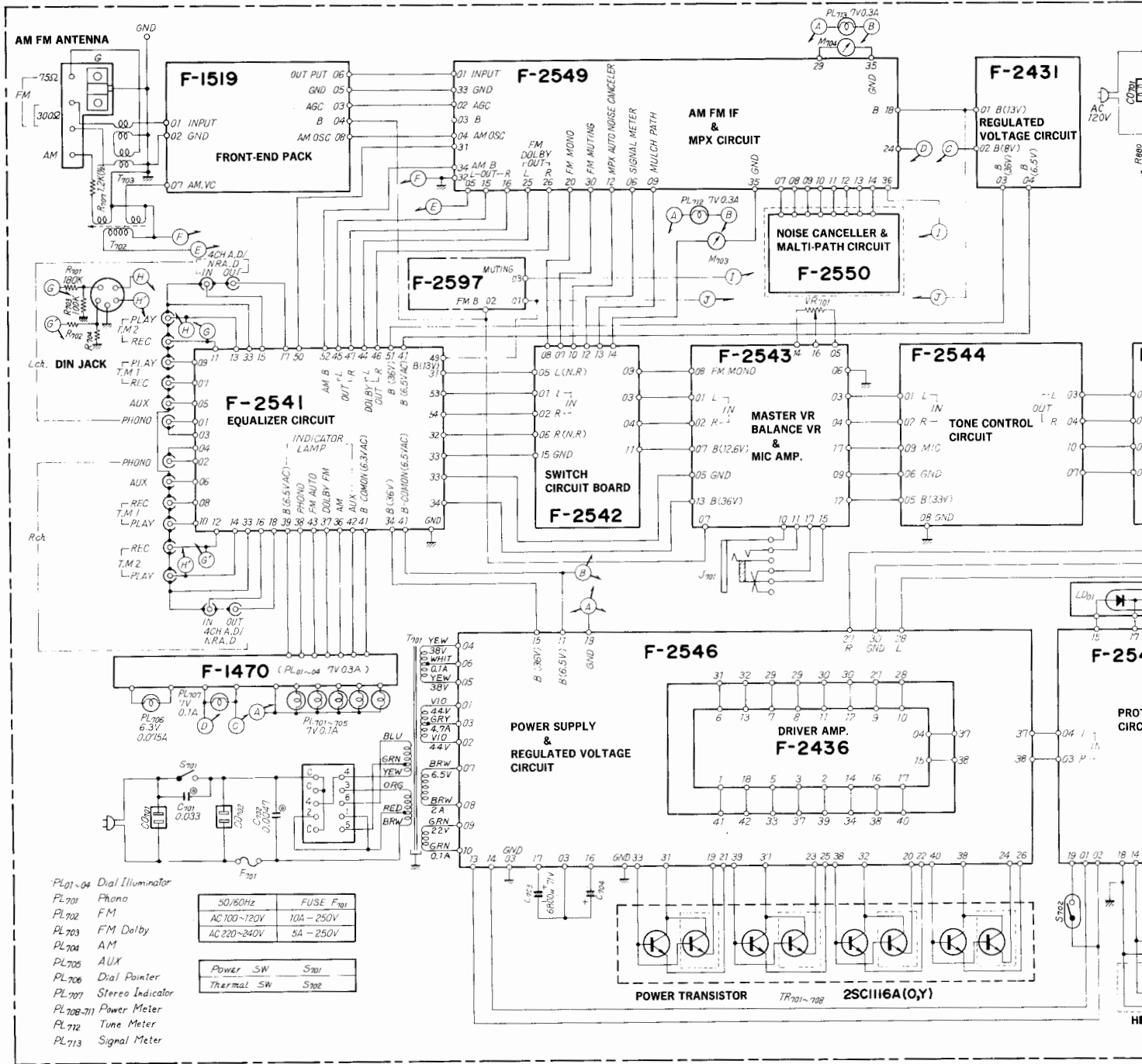
Type A (3~10 pins)	Type B (2~6 pins)	Stock No.
		2 Pins 2420250
		3 Pins 2420220
		4 Pins 2420230
		5 Pins 2420210
		6 Pins 2420240

NOTE: Since stock number of female connectors (type B) with wires are not shown in each parts list of Complete circuit board, please refer to the above parts list when ordering the connector.

Pin Ass'y

Type A (3~10 pins)	Type B (3~10 pins)	Type C (3~10 pins)
Type D (2~6 pins)	Type E (2~6 pins)	Type F (2~6 pins)

7. SCHEMATIC DIAGRAM

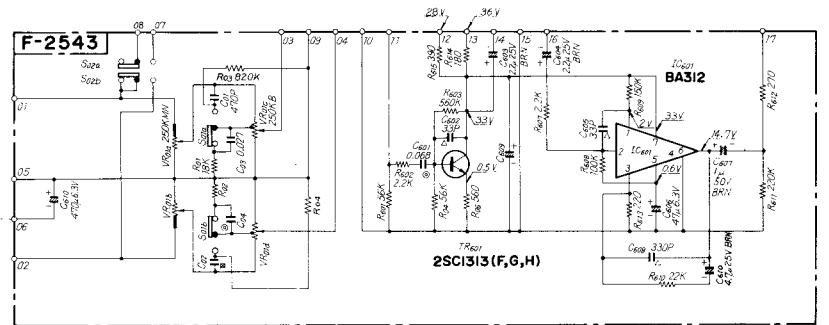
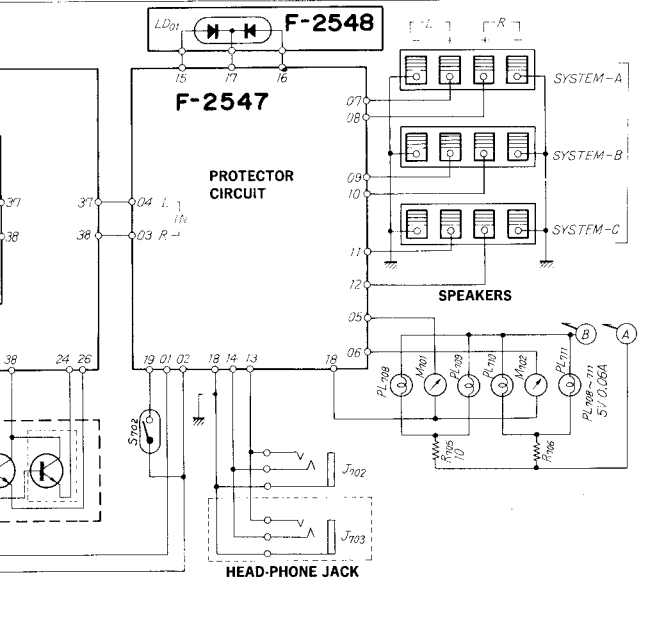
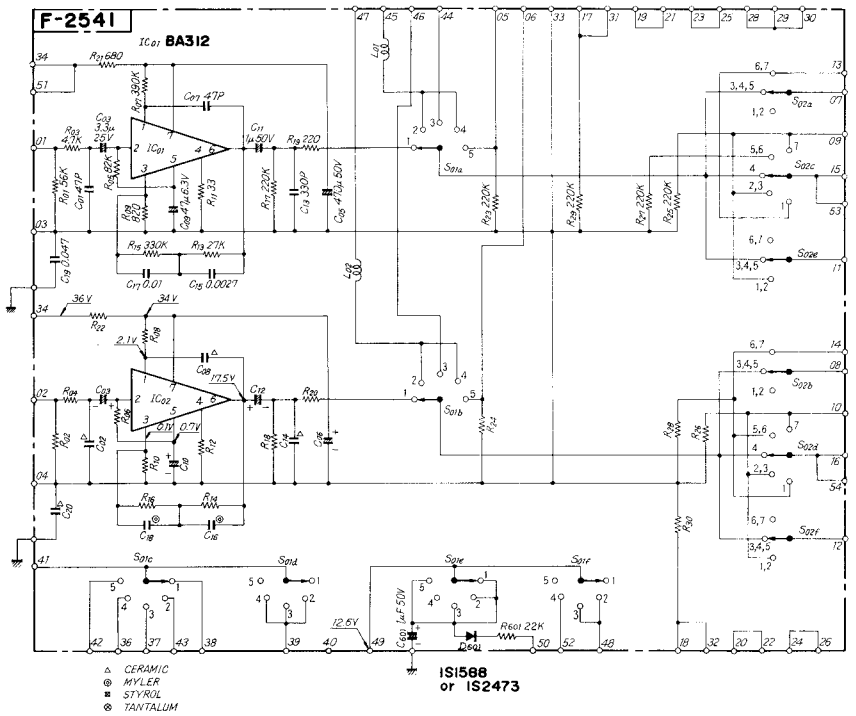
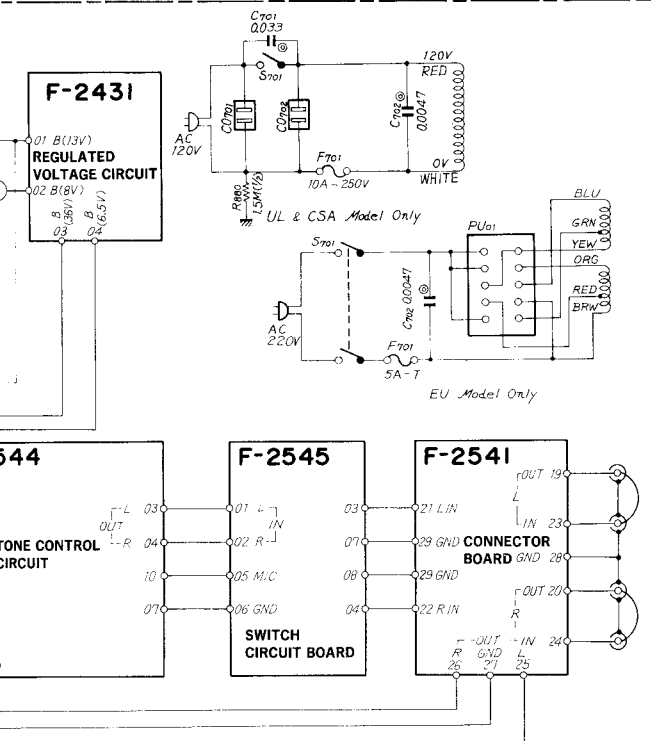


Note: In model **(B)**, the sections in on schematic diagram above are not installed.

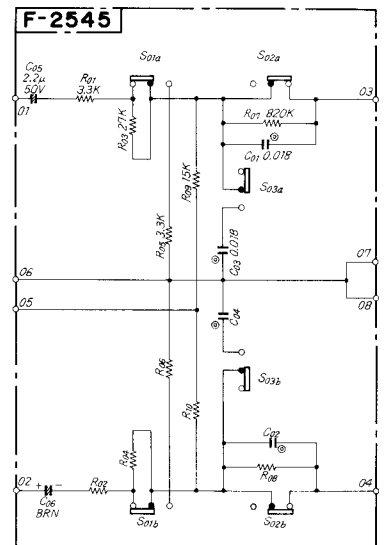
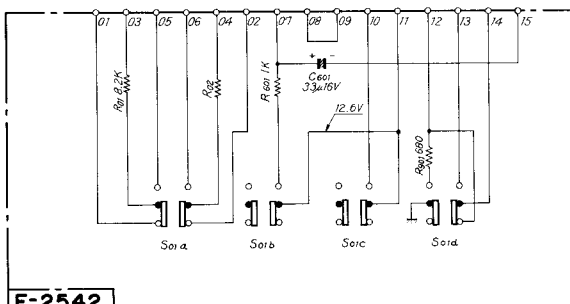
Schematic diagrams in this manual are combined with ones of model **(A)** and **(B)**. Therefore, when you use these diagrams, refer to the Notes shown in diagrams on page 18, 19 or 20. Regarding name of model **(A)**, **(B)**, please refer to "Notes" indicated on page 1.

- | | | | |
|-----------|---------------|----------------|--------|
| SELECTOR | F-2541 S01a~f | 1. PHONO | 4-CH A |
| | | 2. FM AUTO | FM MU |
| | | 3. DOLBY FM AD | MPX N |
| | | 4. AM | CANCE |
| | | 5. AUX | METER |
| TAPE PLAY | F-2541 S02a~f | 1. DECK 1 | AUDIC |
| | | 2. DECK 2 | LOW F |
| | | 3. DECK 1 | HIGH I |
| | | 4. SOURCE | LOUDI |
| | | 5. DECK 2 | MODE |
| | | 6. DECK 2 | |
| | | 7. DECK 1 | |

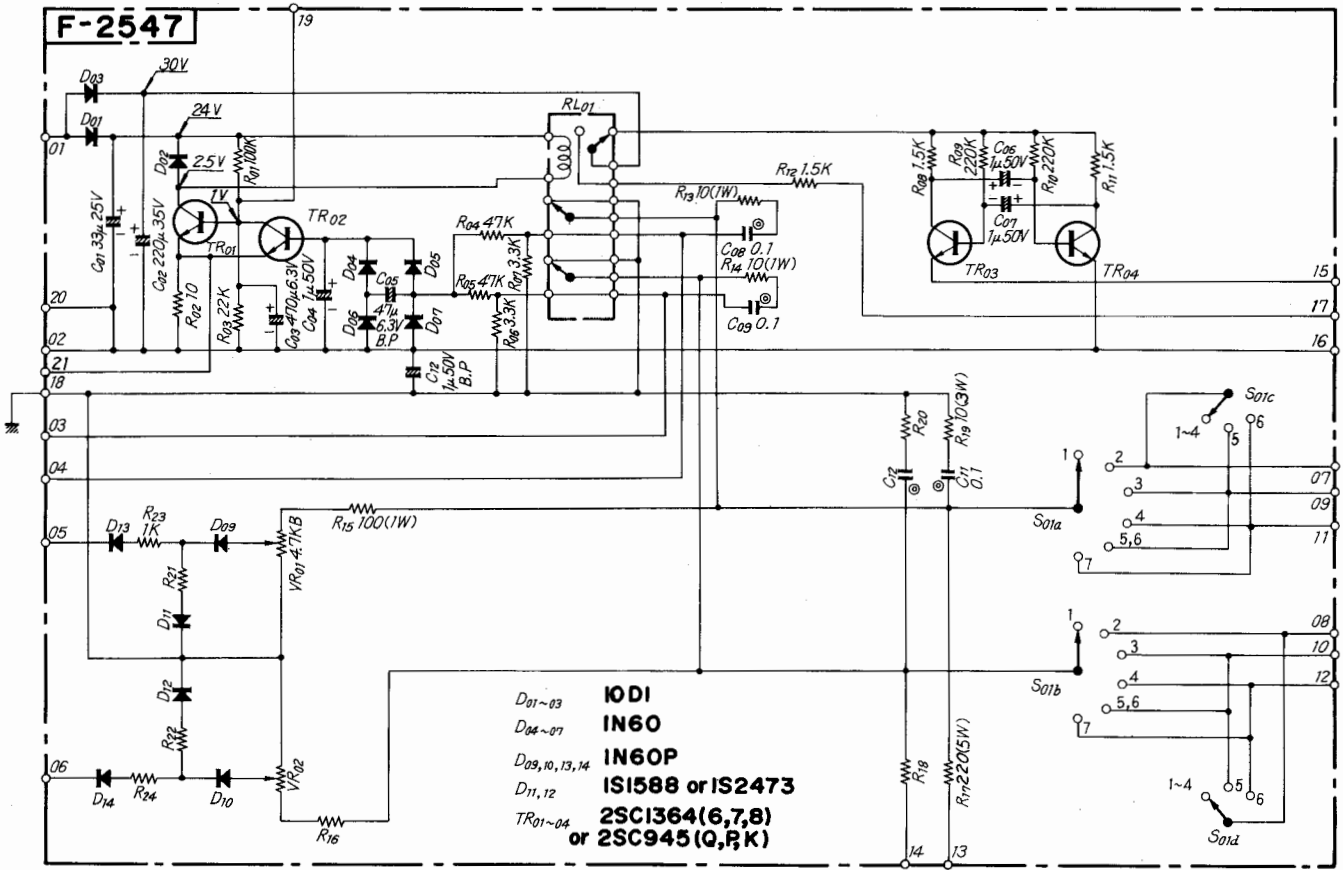
* La présentation et les spécifications sont susceptibles d'être modifiées sans préavis par suites d'améliorations éventuelles.
 * Änderungen, die dem technischen Fortschritt dienen, bleiben vorbehalten.
 * Design and specifications subject to change without notice for improvement.



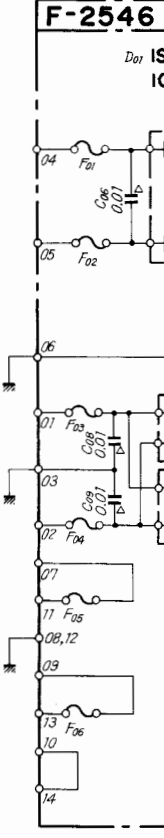
4-CH AD/NR.AD	F-2542	S01a
FM MUTING	F-2542	S01b
MPX NOISE CANCELER	F-2542	S01c
METER SELECTOR	F-2542	S01d
AUDIO MUTING	F-2545	S01a, b
LOW FILTER	F-2545	S02a, b
HIGH FILTER	F-2545	S03a, b
LOUDNESS	F-2543	S01a, b
MODE	F-2543	S02a, b



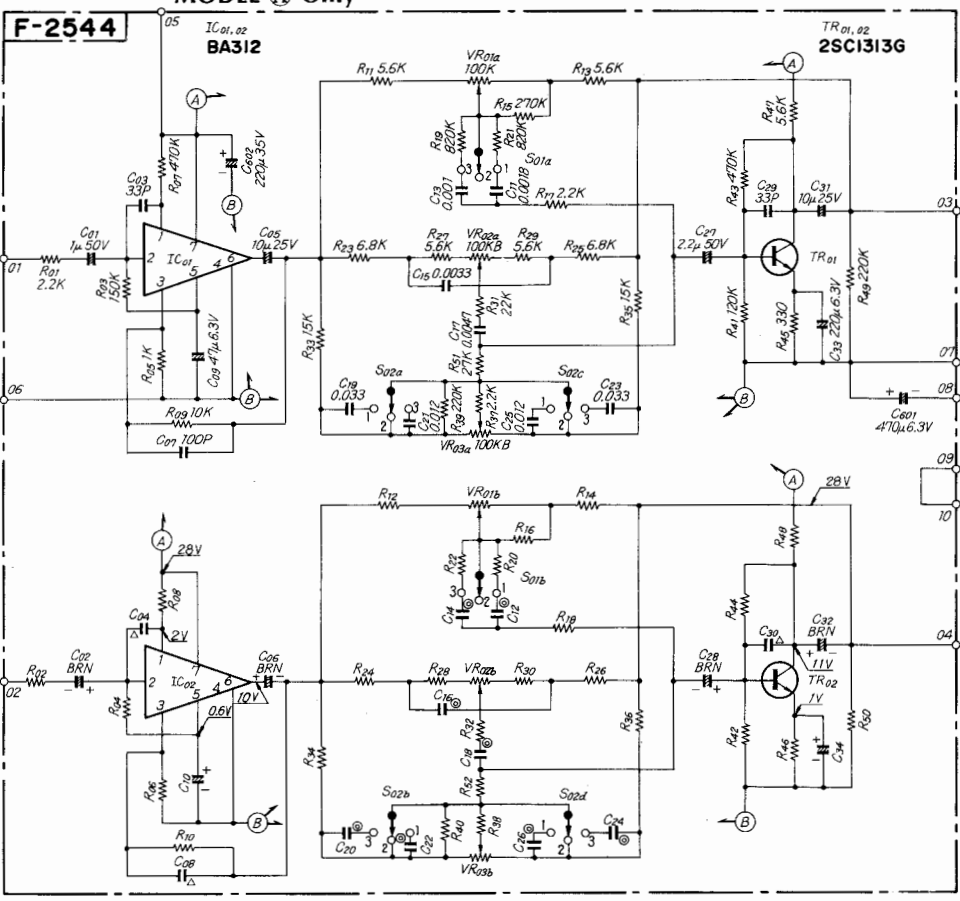
F-2547



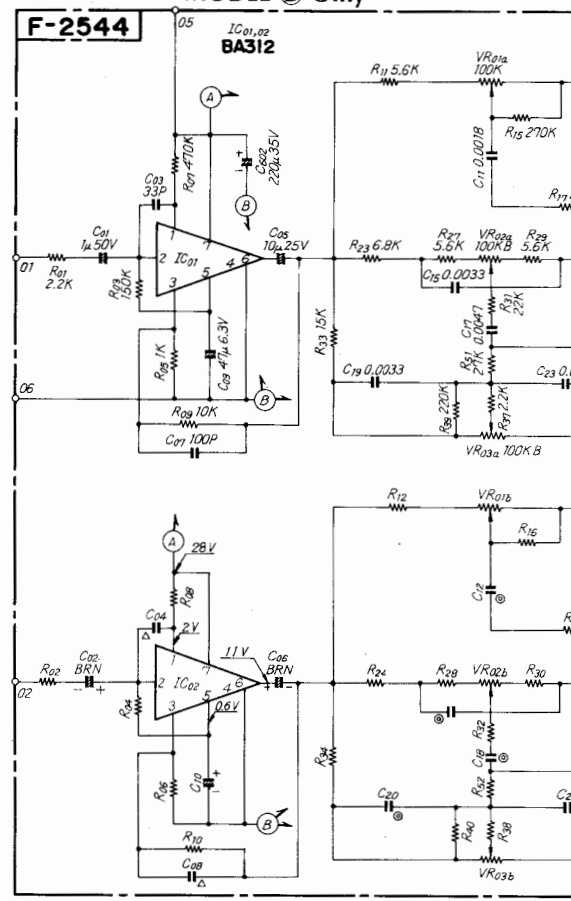
F-2546

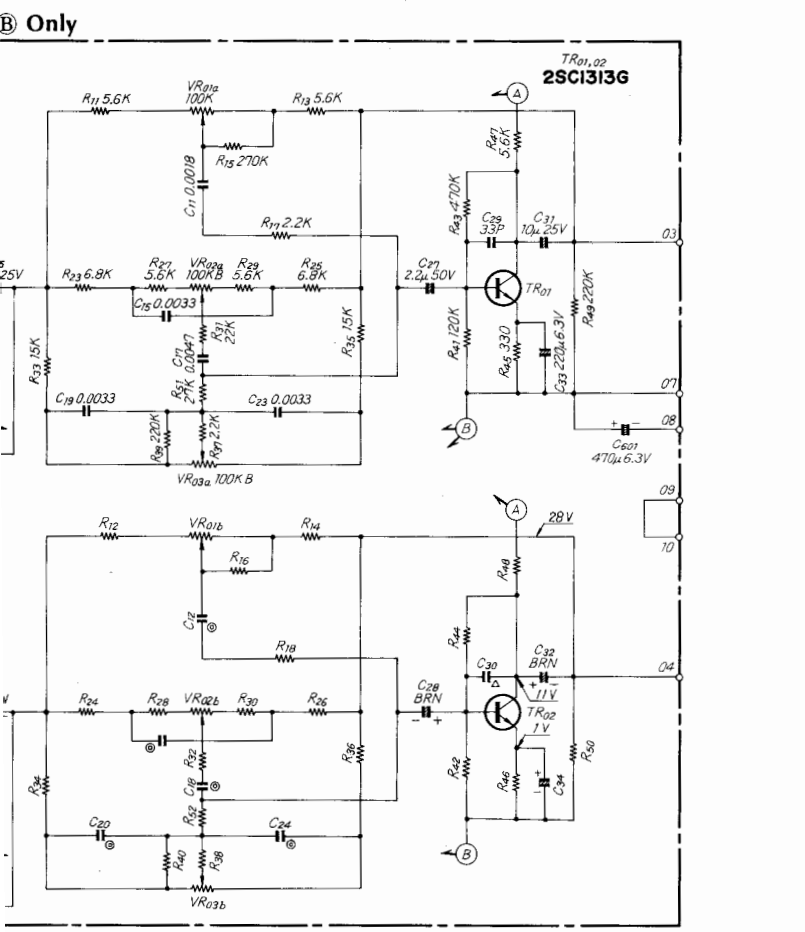
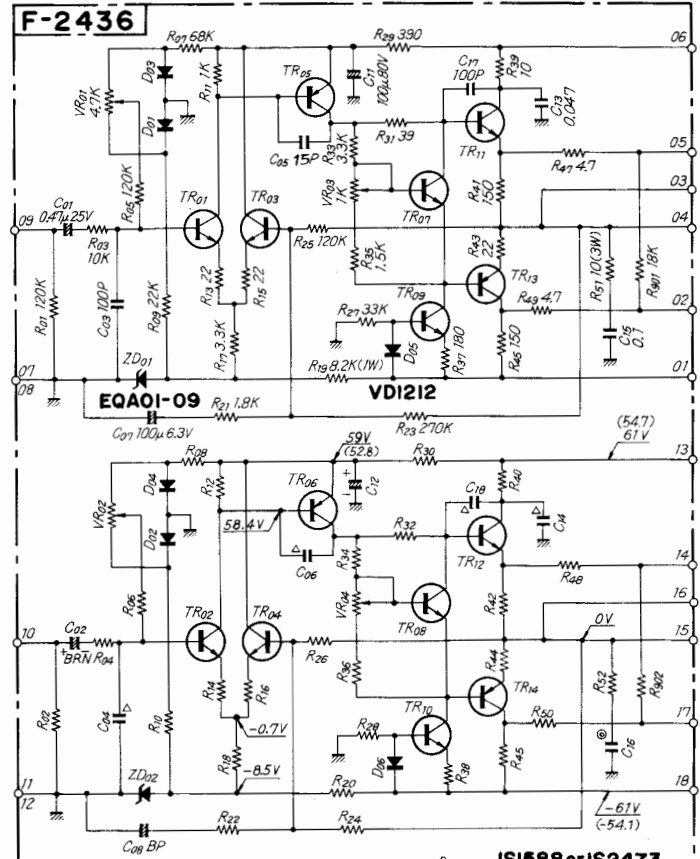
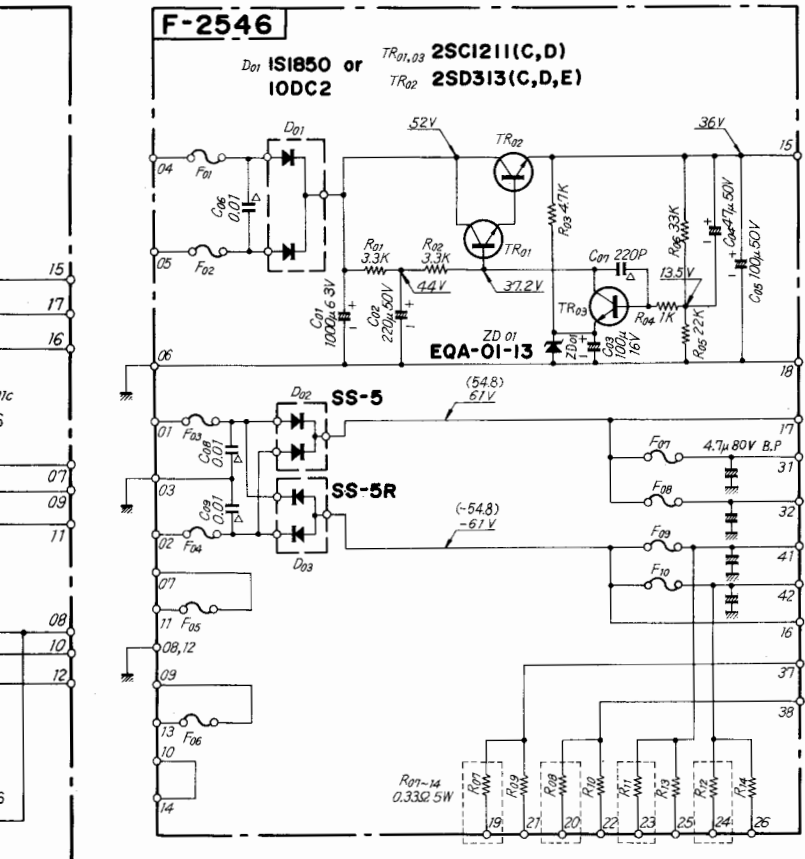


***MODEL (A) Only**



***MODEL (B) Only**

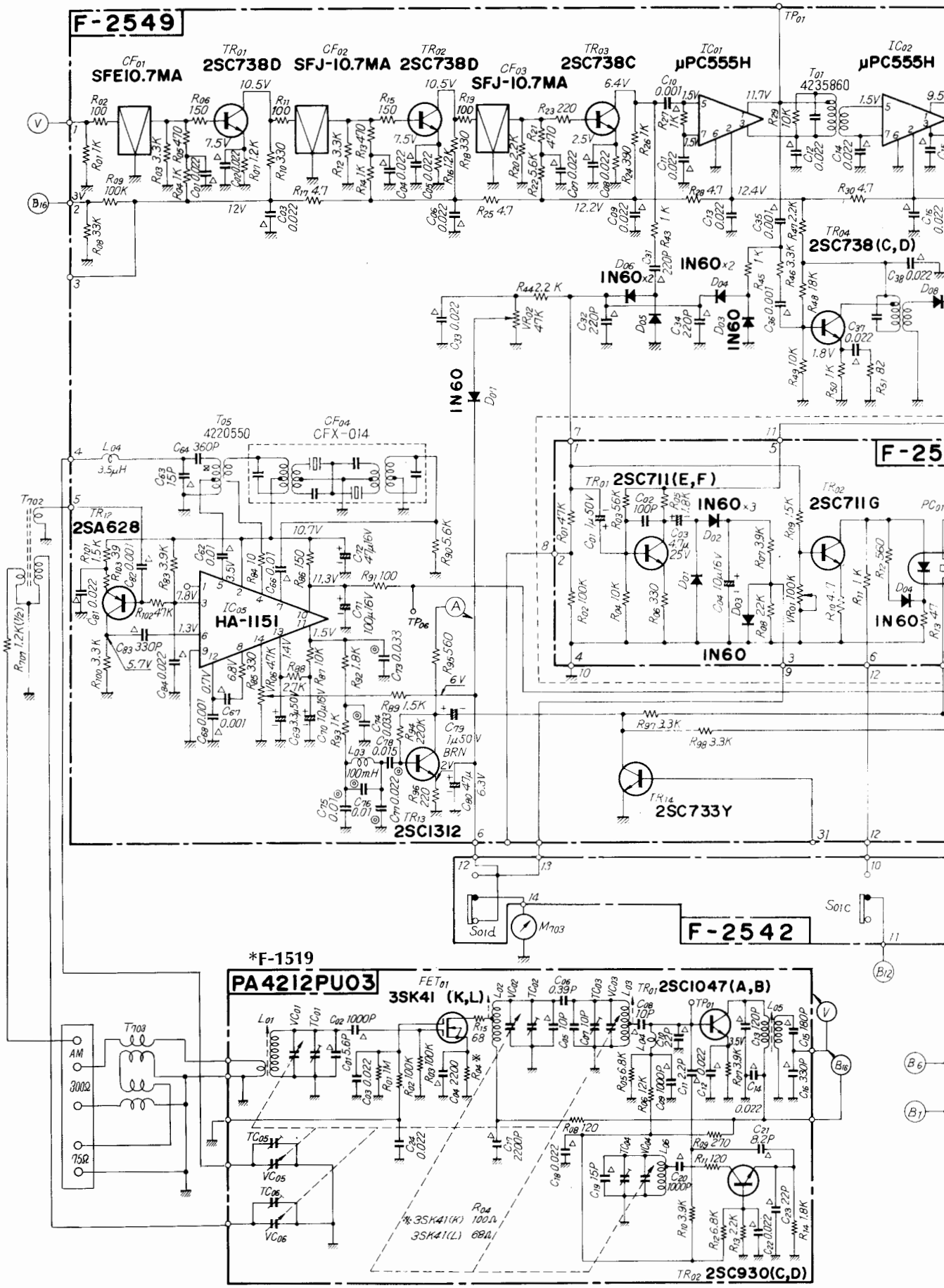


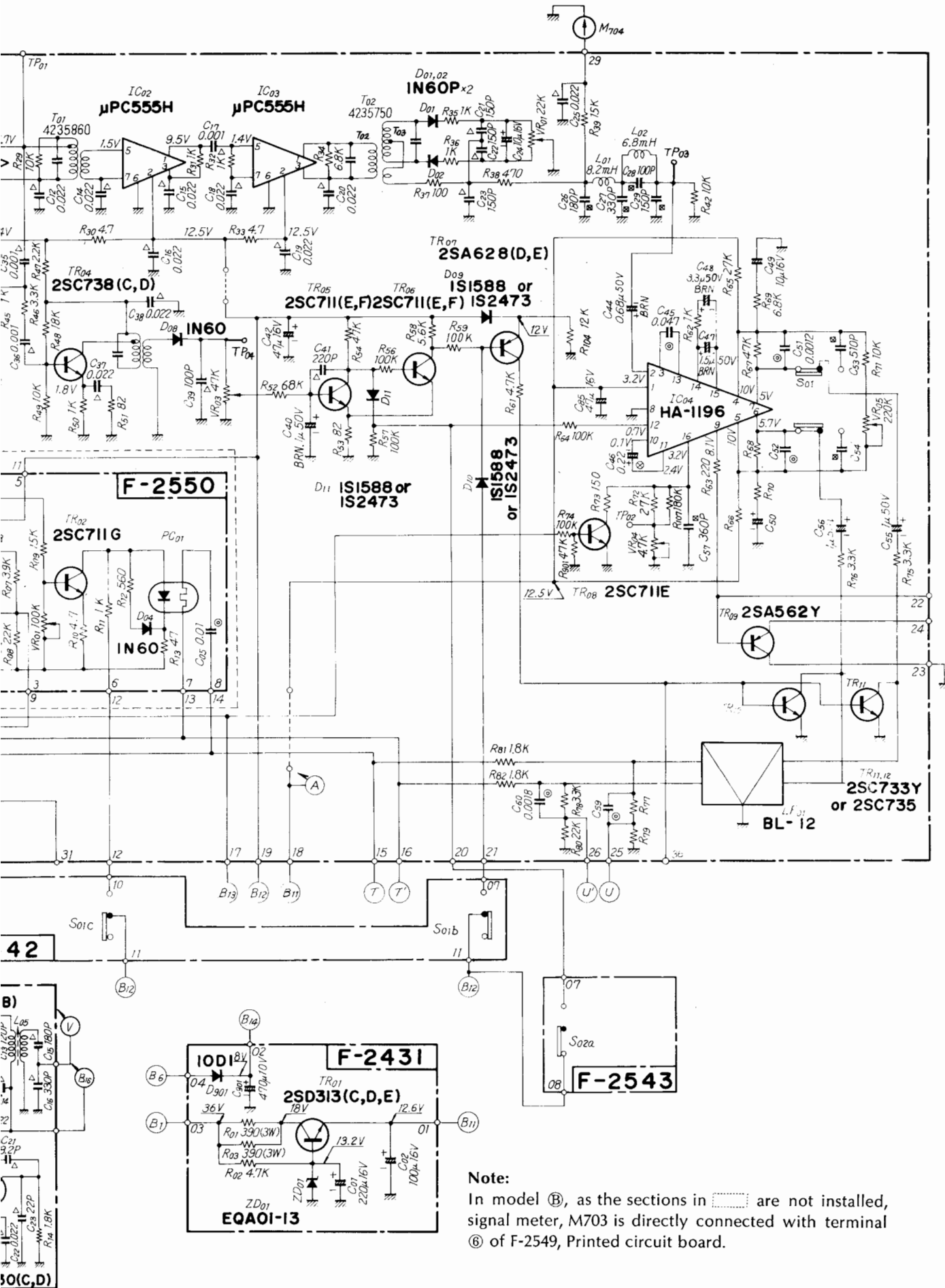


TR01-04 2SC1708G TR07,08 2SC984(B,C) TR11,12 2SD381-2(L,M)
 TR05,06 2SA818(O,Y) TR09,10 2SC1628(O,Y) TR13,14 2SB536-2(L,M)

TONE SELECTOR TREBLE	F-2544	S01a, b	1. 1.5kHz 2. DEFFAT 3. 3kHz
TONE SELECTOR BASS	F-2544	S02a, b, c, d	1. 300Hz 2. DEFEAT 3. 150Hz
SPEAKERS SELECTOR	F-2547	S01a, d	1. OFF 2. A 3. B 4. C 5. A+B 6. A+C

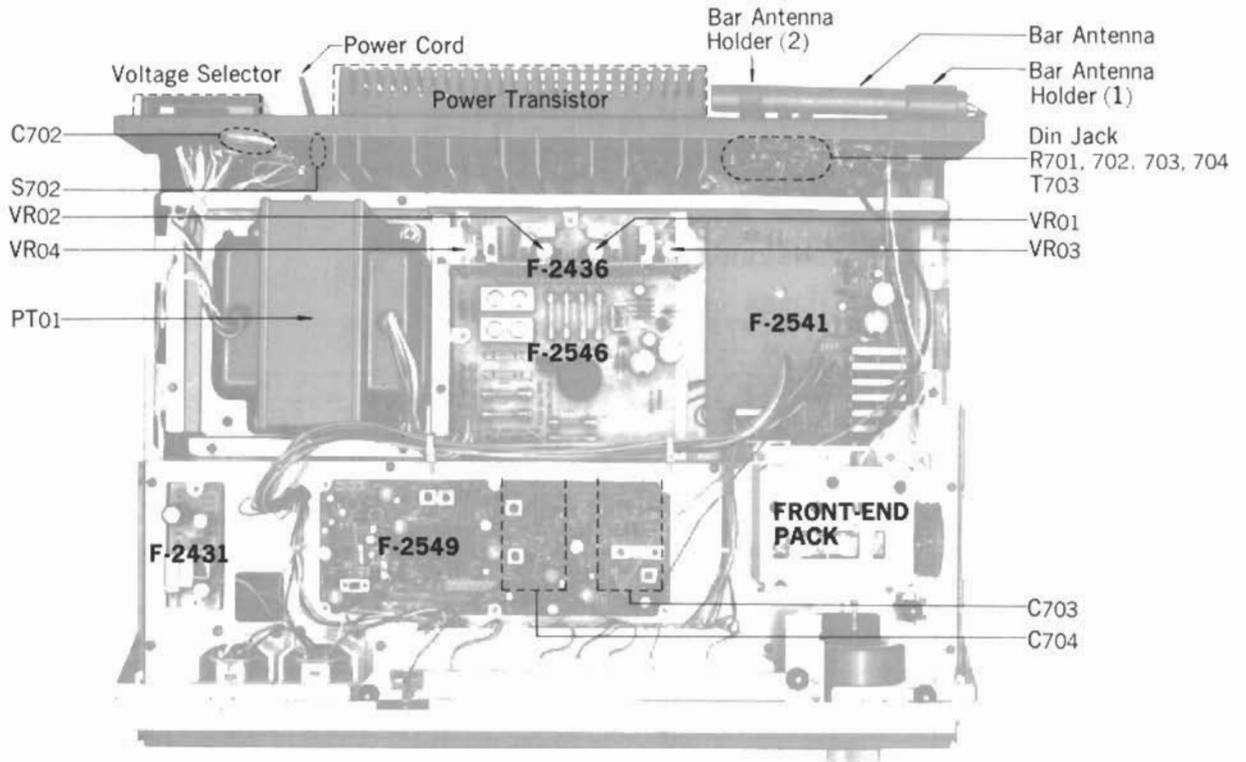
Note:
 1. In model (B), the section in [] on schematic diagram above are not installed.
 2. Each voltage in parentheses () shows the value of model (B) in volts.





Note:
 In model (B), as the sections in are not installed, signal meter, M703 is directly connected with terminal (6) of F-2549, Printed circuit board.

8. OTHER PARTS 8-1. Other Parts (Top Side)



Parts List

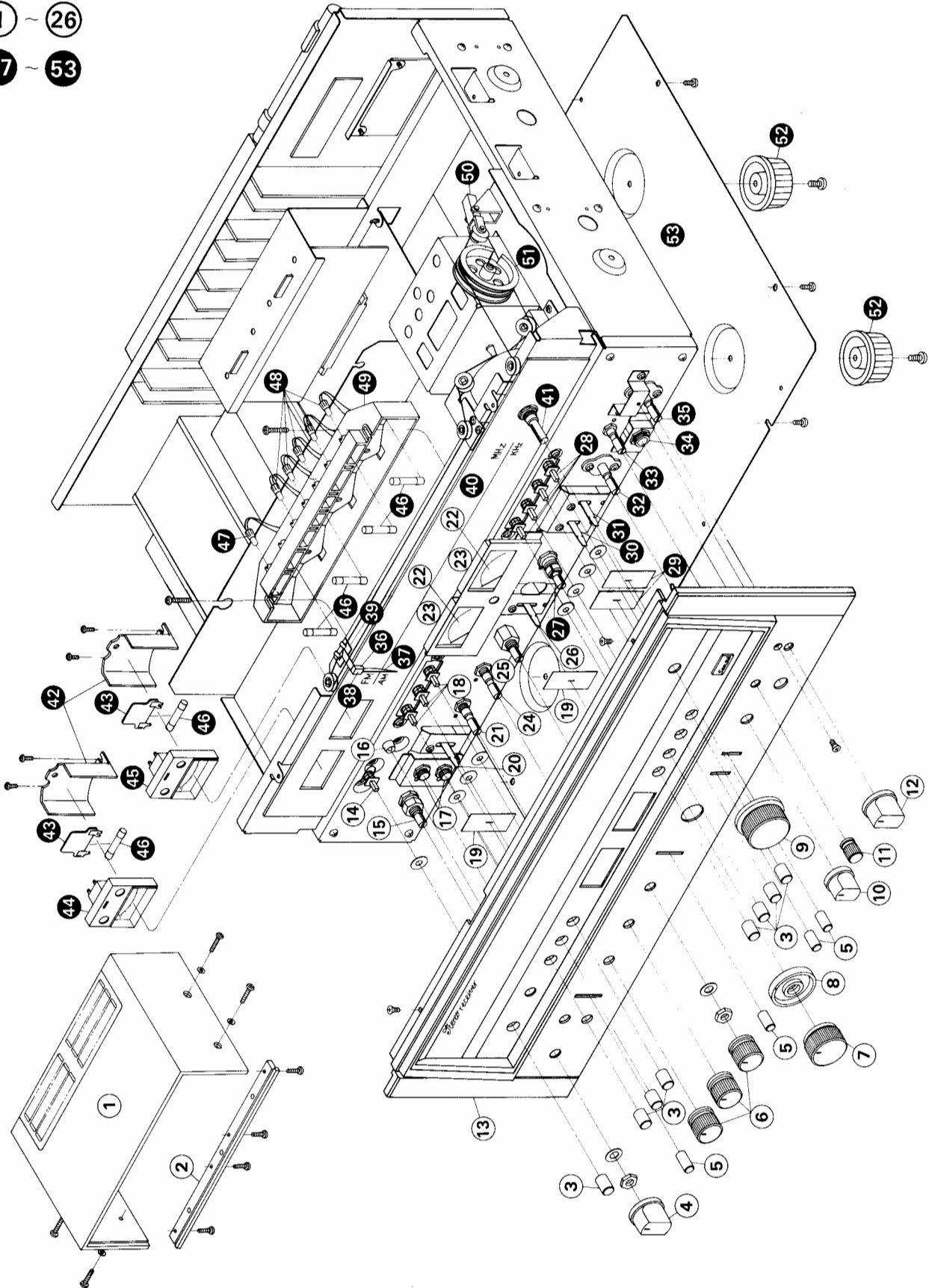
Parts No.	Stock No.	Description
	0306331, 2	2SC1116A(O, Y) MODEL(A) } Power
	0305841, 2	2SC1116 (O, Y) MODEL(B) } Transistor
PT01	{ 4002340 4002350	{ MODEL (A) MODEL (B) } Power Transformer
T702	4200760	Bar Antenna
T703	4290021	Antenna Transformer, 75Ω/300Ω
C701	0605337	0.033μF 250V M.C.
C702	0605476	0.0047μF 250V M.C.
C703, 704	0559843	6800μF 71V E.C. MODEL(A)
	0559515	6800μF 63V E.C. MODEL(B)
R701, 702	0113184	180kΩ ¼W S.R.
R703, 704	0113104	100kΩ ¼W S.R.
F701	0431280	5A 250V (AC 220~240V) } MODEL(A)
	0431320	10A 250V (AC 100~120V) } Power Fuse
	0431270	4A 250V (AC 220~240V) } MODEL(B)
	0431300	7A 250V (AC 100~120V) } Power Fuse
R707	0103122	1.2kΩ ½W C.R.

Parts No.	Stock No.	Description
S702	1900020	Thermal Lead Switch
	2210190	3P Antenna Terminal
	2200340	8P PRE/MAIN Terminal
	2200360	12P Input Terminal
	2290160	4P Output Terminal
	2230051	Ground Terminal
	2430040, 1	Din Jack
	2300060	Power Fuse Holder
	2460010	PRE/MAIN Connector
	2030040	Power Transistor Socket
	2450060	AC Outlet
	2410091	Voltage Selector Plug
	2410830	Voltage Selector Socket
	5268600	Voltage Selector Cover
	{ 3800290 3800261	{ MODEL (A) MODEL (B) } Power Cord
	5286450	Bar Antenna Holder (1)
	5286480	Bar Antenna Holder (2)

Note: In parts list above, there are two model numbers as model (A) and (B).
Regarding name of model (A), (B), please refer to "Notes" indicated on page 1.

8-2. Other Parts (Front Side)

- 1 - 26
- 27 - 53



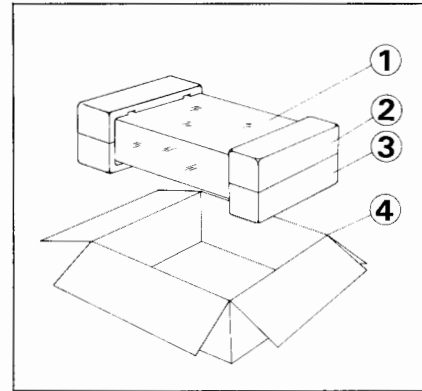
Parts List (Front Side)

Parts No.	Stock No.	Description
1	{ 5726933	MODEL(A) Bonnet
	{ 5726923	
2	{ 5996092	MODEL(A) Panel Sash
	{ 5996102	
3	5326550	Push Knob (B)
4	{ 5318400	E-2 Type Knob MODEL(A) } Speakers Knob
	{ 5318380	
5	7106130	C-2 Type Knob, Lever Switch
6	5318410	S-10 Type Knob, Tone Control Knob
7	5318440	WI-6 Type Knob, Volume
8	5318431	WO-8 Type Knob, Balance
9	5318420	T-12 Type Knob, Tuning
10	{ 5318390	E-1 Type Knob MODEL(A) } Tape Copy
	{ 5318410	
11	5318340	N-6 Type Knob, MIC Level
12	{ 5318400	E-2 Type Knob MODEL(A) } Selector Knob
	{ 5318380	
13	{ 7007160	MODEL(A) Front Panel
	{ 7007170	
14	1131190	Power Switch
15	1102650	Speakers Switch
16	0319040	LED Ass'y
17	2430200	Head phone Jack
18	1131170	Push Switch
19	5047470	Masking, Lever Switch
20	1171220	Bass Selector MODEL(A) only
21	1010930	Bass Volume, 100kΩ B
22	4300920	Power Meter
23	7726040	Power Meter Circuit Board
24	1010930, 1	Midrange Volume, 100kΩ B
25	1010930, 1	Treble Volume, 100kΩ B
26	1171240	Treble Selector MODEL(A) only
27	1060320, 1	Master & Balance Volume, 250kΩ MN
28	1131180	Push Switch
29	5047470	Masking, Lever Switch
30	1171120	Loudness Switch
31	1171120	MODE Switch
32	1102660	Tape Copy Switch
33	1005170, 1	MIC Volume, 20kΩ
34	2430170	MIC Jack
35	1103550	Selector
36	5416350	Holder, Dial Pointer
37	5416050	Dial Pointer
38	0400200	Dial Pointer Lamp, 6.3V 75mA
39	5516030	Teflon Sheet
40	5407930	Dial Glass
41	7036451	Tuning Unit
42	5269330	Meter Holder
43	7726060	Meter Circuit Board
44	4300740	Signal Meter
45	4300750	Tune Meter
46	0420040	Meter Lamp, 7V 330mA
47	0400420	FM Stereo Indicator, 7V 100mA
48	0400420	Indicator Lamp, 7V 100mA
49	5066211	Illumination Box
50	7136080	Tension Unit
51	6146670	Dial Pulley, D-44
52	5517050	Leg
53	5058510	Bottom Plate

Note: In parts list above, there are two model numbers as model (A) and (B).
Regarding name of model (A), (B), please refer to "Notes" indicated on page 1.

9. PACKING LIST

Parts No.	Stock No.	Description
1	9116271	Vinyl Cover
2	9027940	Stylofoam Packing (A)
3	9027930	Stylofoam Packing (B)
4	{ 9009020	Carton Case MODEL(A)
	{ 9008420	
5	5996080	Curl Stopper



10. ACCESSORY PARTS LIST

Stock No.	Description
9209270	Operating Instructions MODEL(A)
9209280	Operating Instructions MODEL(B)
9237030	Schematic Diagram MODEL(A)
9237040	Schematic Diagram MODEL(B)



SANSUI ELECTRIC CO., LTD.

14-1, 2-chome, Izumi, Suginamiku, Tokyo 168, Japan.
TELEPHONE: (03) 323-1111 / TELEX: 232-2076

SM052

Printed in Japan (D5720M)