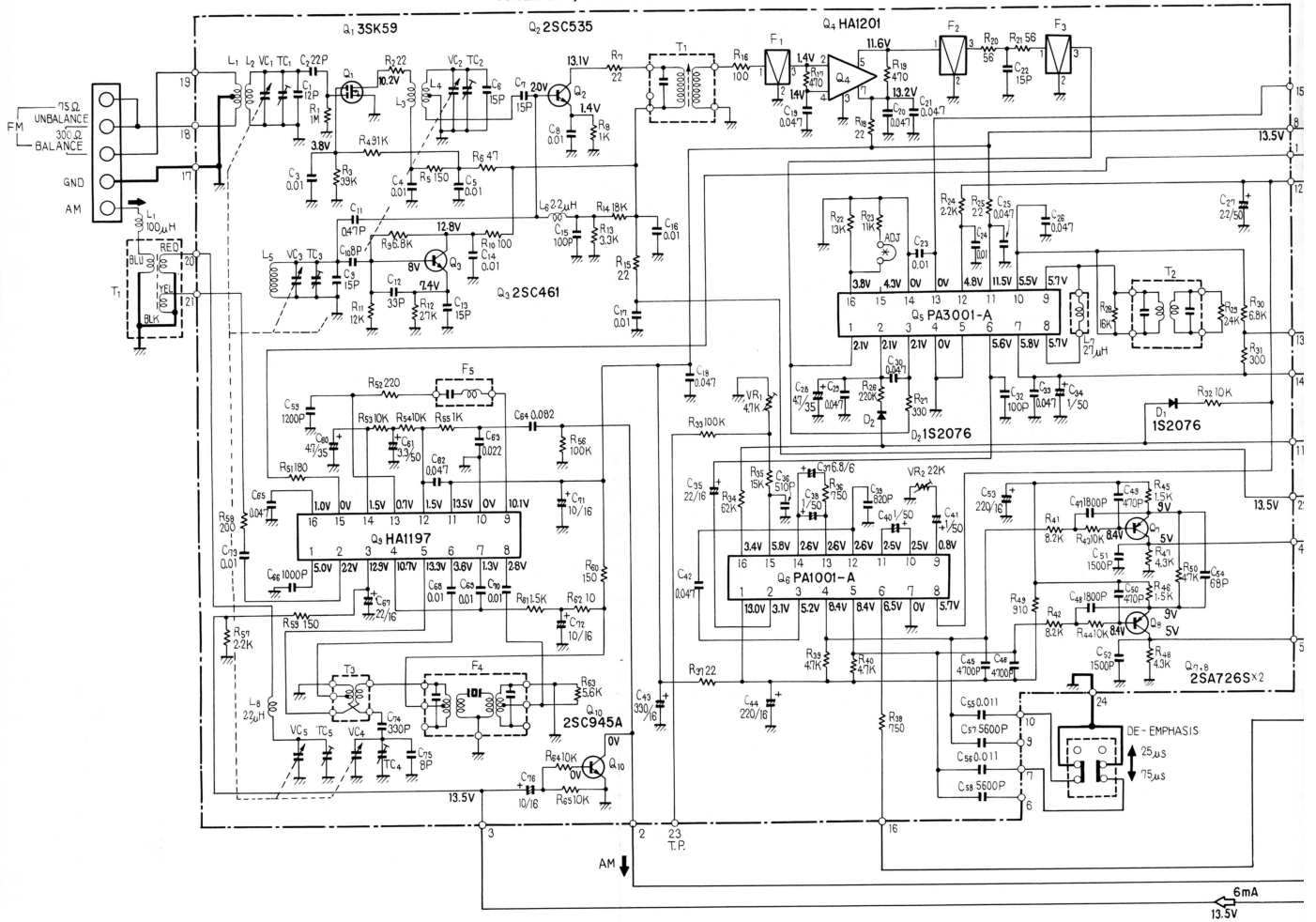


TUNER Ass'y AWE-099



SWITCHES:

- S1 FUNCTION
- 1 AM
- 2 FM
- 3 PHONO
- 4 AUX

- S3 TAPE MONITOR 2
- OFF — ON
- S4 MODE
- STEREO — MONO
- S5 LOUDNESS
- 3FF — ON

- S6 LOW FILTER
- OFF — 15Hz
- S7 PROTECTION RELAY
- OFF — ON
- S8-a SPEAKER A
- OFF — ON

- S8-b SPEAKER B
- OFF — ON
- S10 FM MUTING
- ON — OFF
- S11 DE — EMPHASIS
- 75µs — 25µs

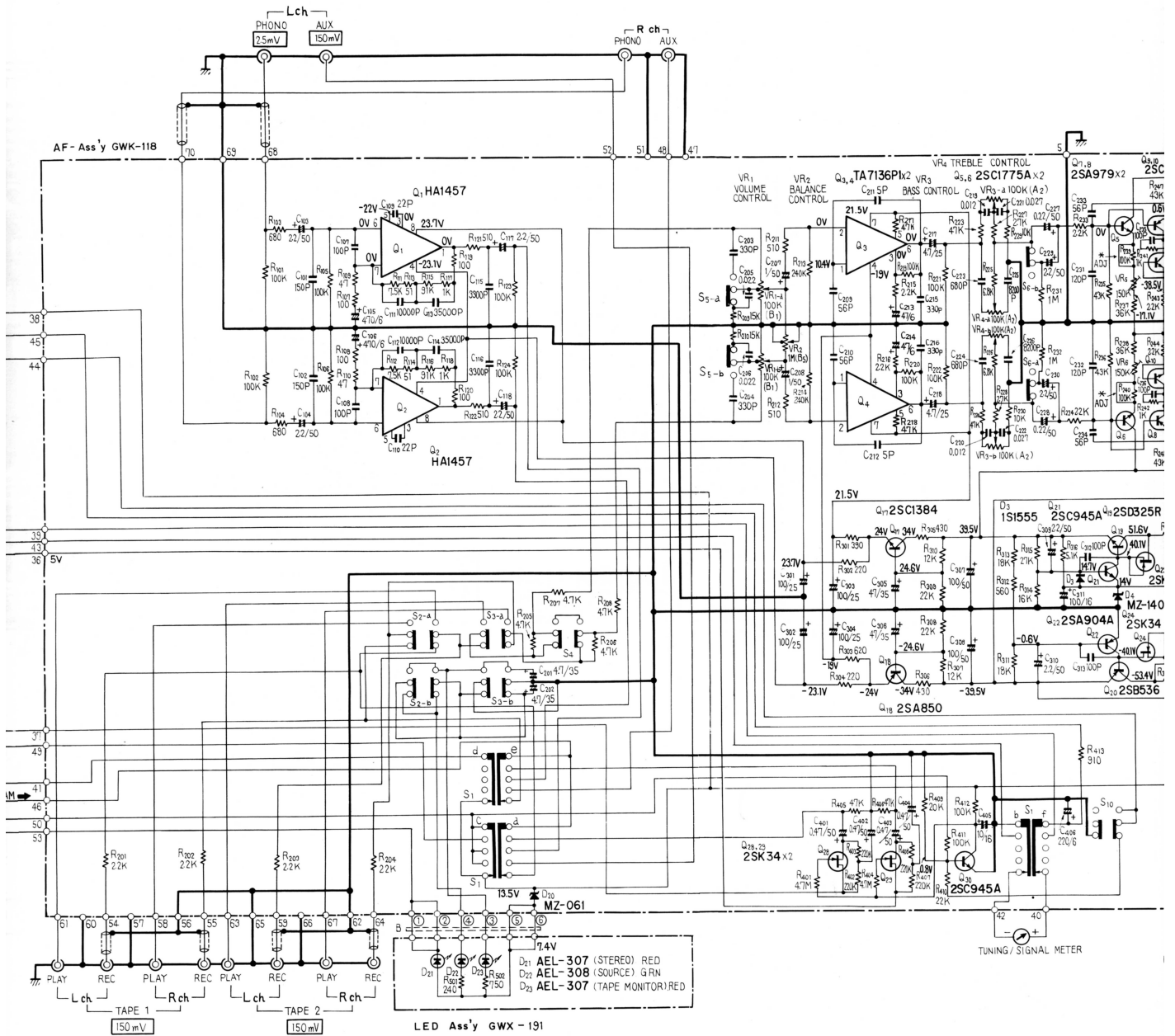
RESISTORS:

IN OHM 1/4W ±5% TOLERANCE UNLESS OTHERWISE NOTED K: KΩ M: MΩ

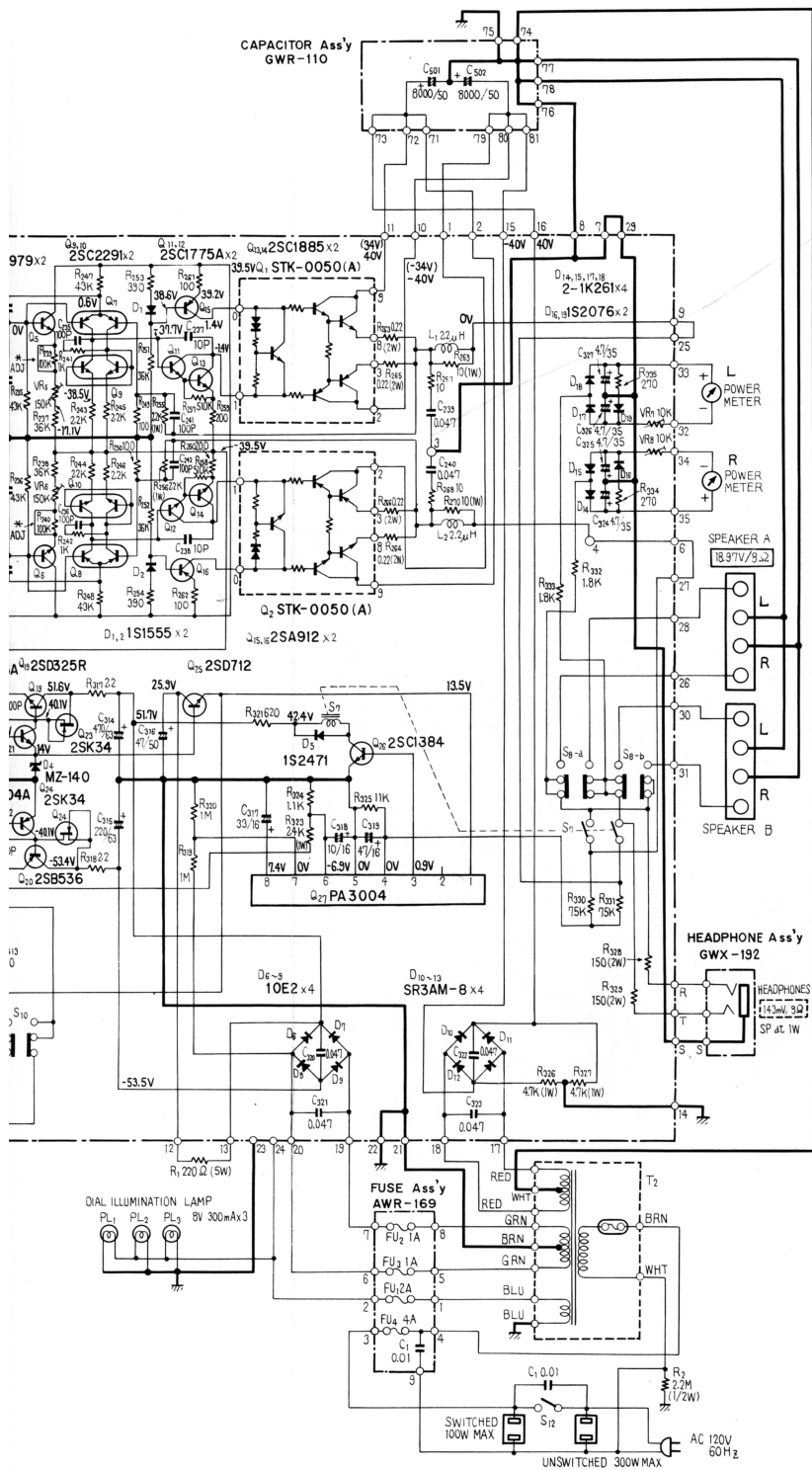
CAPACITORS:

IN µF UNLESS OTHERWISE NOTED P: pF

- ∇ : SIGNAL VOLTAGE AT 45W +45W 8Ω OUT
- V : DC VOLTAGE AT NO INPUT SIGNAL
- mA : DC CURRENT AT NO INPUT SIGNAL
- (V) : DC VOLTAGE AT 45W OUTPUT



This is the basic schematic diagram, but the actual circuit may vary due to improvements in design.



NOTE:
The indicated semiconductors are representative of only. Other alternative semiconductors may be used as are listed in the parts list.