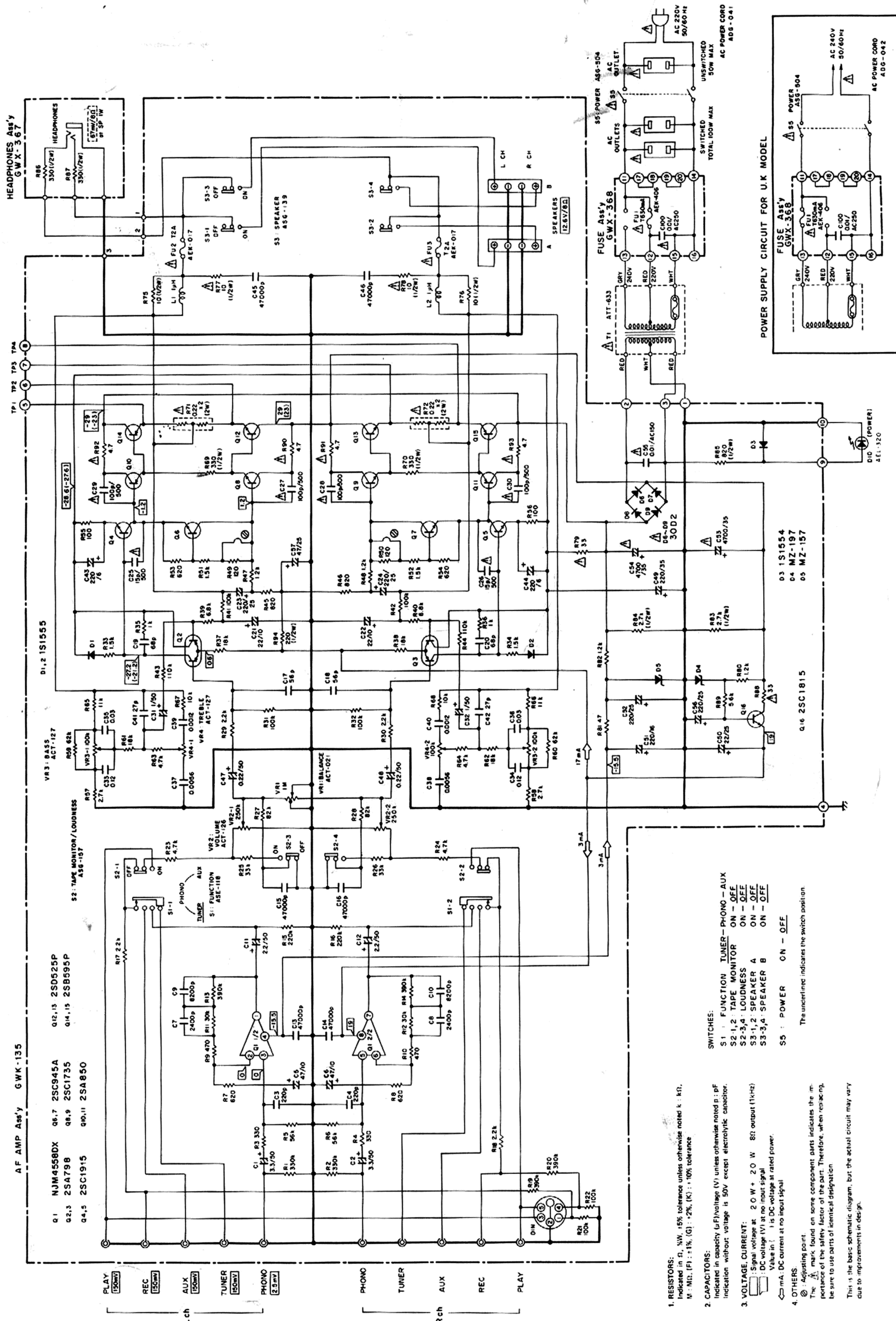


# SCHEMATIC DIAGRAM HE, HB models



- RESISTORS:** Indicated in Ω, kΩ, MΩ, unless otherwise noted. k: 10<sup>3</sup>, M: 10<sup>6</sup>. (F): ±1%, (G): ±2%, (K): ±10% tolerance.
- CAPACITORS:** Indicated in capacity (μF) or voltage (V), unless otherwise noted. p: pF. Indication without voltage is 50V except electrolytic capacitor.
- VOLTAGE, CURRENT:** Signal voltage at 20W + 20W 8Ω output (1kHz); DC voltage (V) at no input signal; Value in mA is DC current at rated power.
- OTHERS:** Adjusting point. The Ⓢ marks found on some component parts indicates the importance of the safety factor of the part. Therefore, when replacing, be sure to use parts of identical designation. This is the basic schematic diagram, but the actual circuit may vary due to improvement in design.

- SWITCHES:**
- S1: FUNCTION TUNER - PHONO - AUX
  - S2-1,2: TAPE MONITOR/LOUDNESS ON - OFF
  - S2-3,4: LOUDNESS ON - OFF
  - S3-1,2: SPEAKER A ON - OFF
  - S3-3,4: SPEAKER B ON - OFF
  - S5: POWER ON - OFF
- The underlined indicates the switch position.