



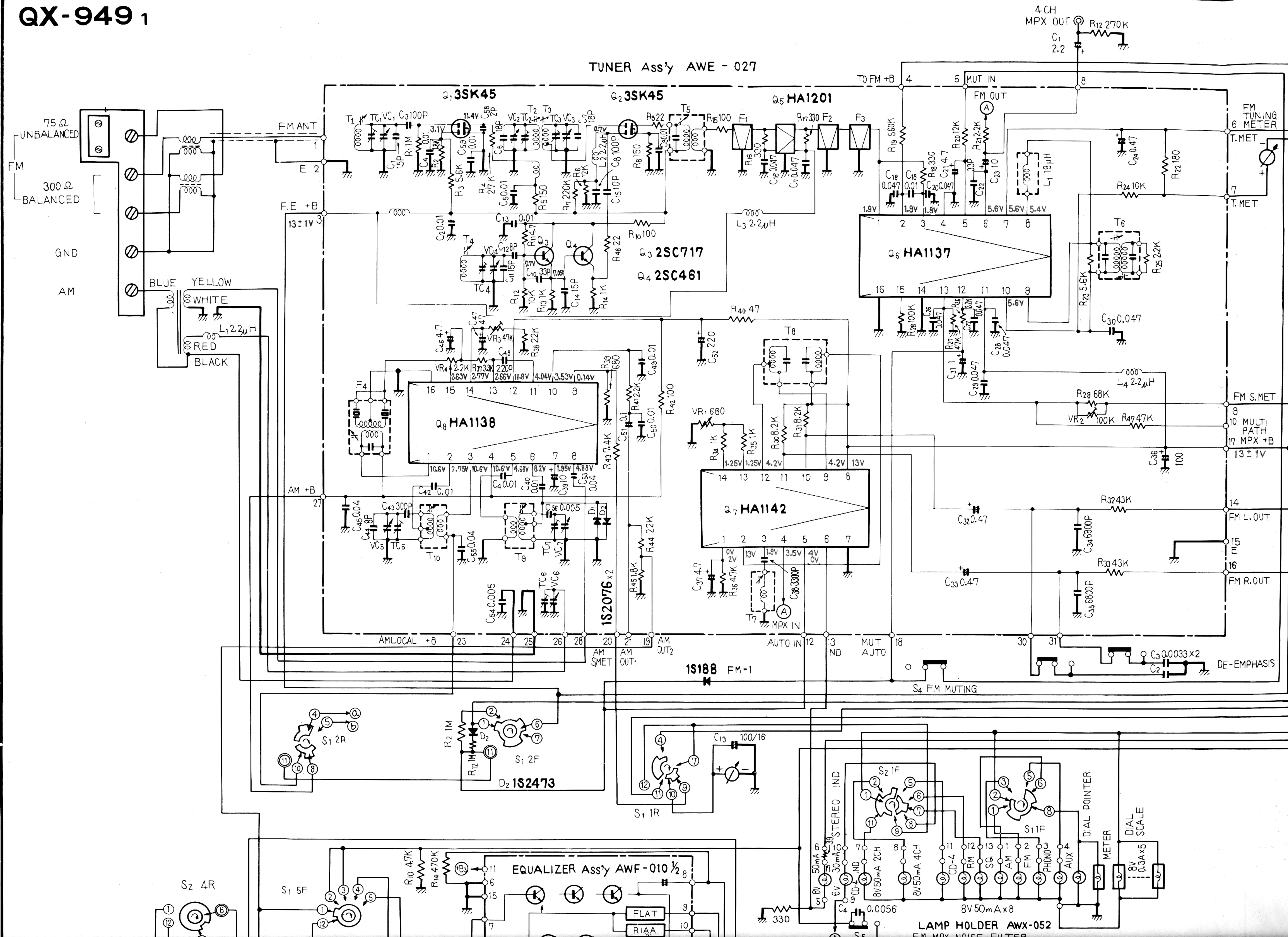
QUADRAPHONIC RECEIVER

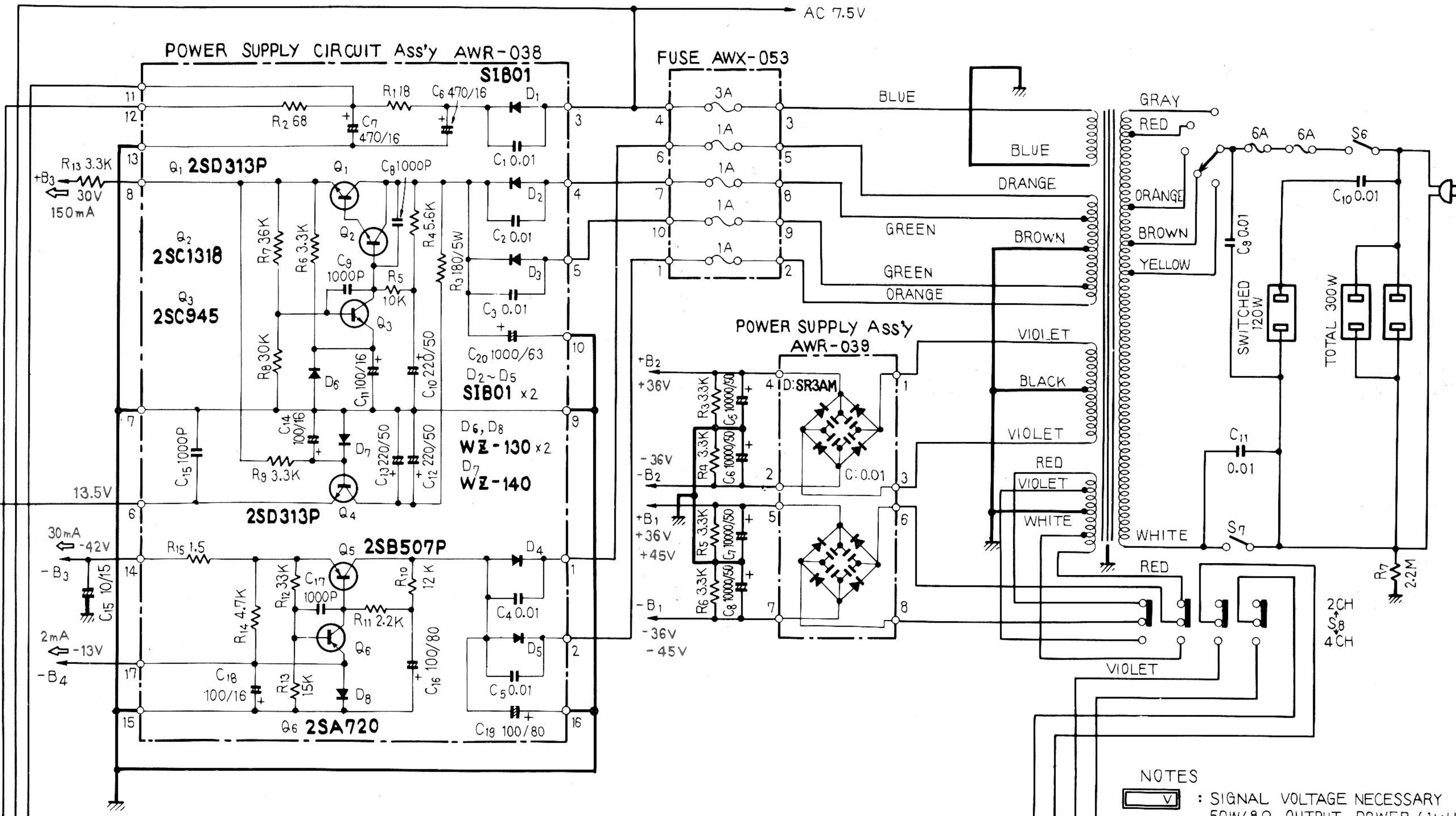
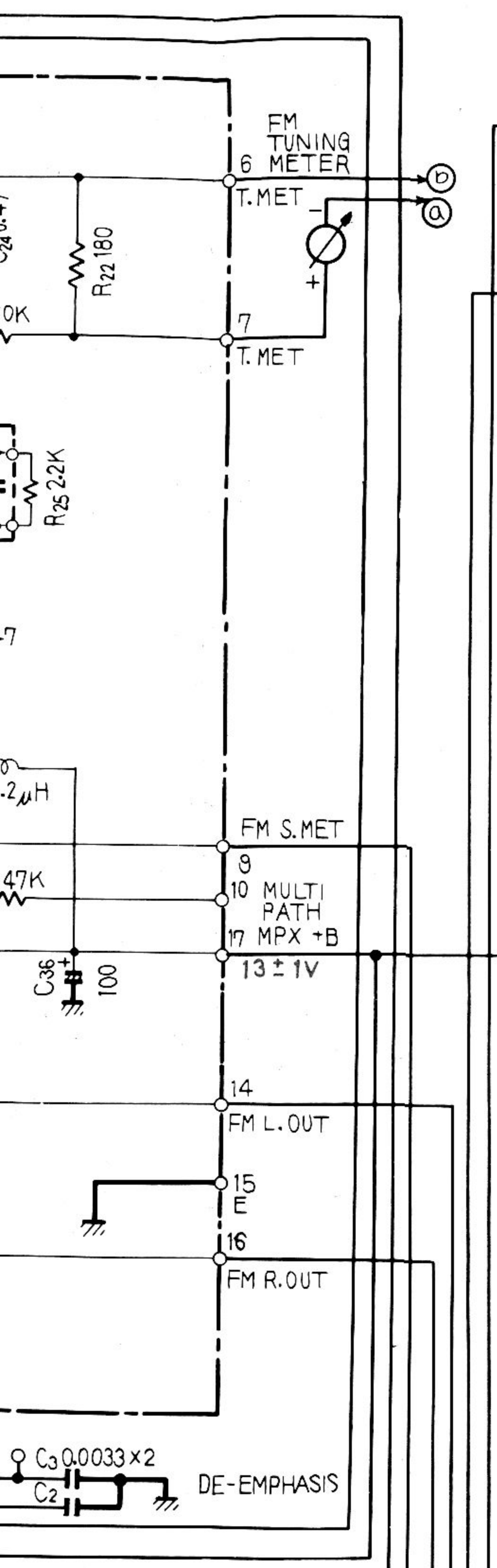
QX-949
FV FUW

24

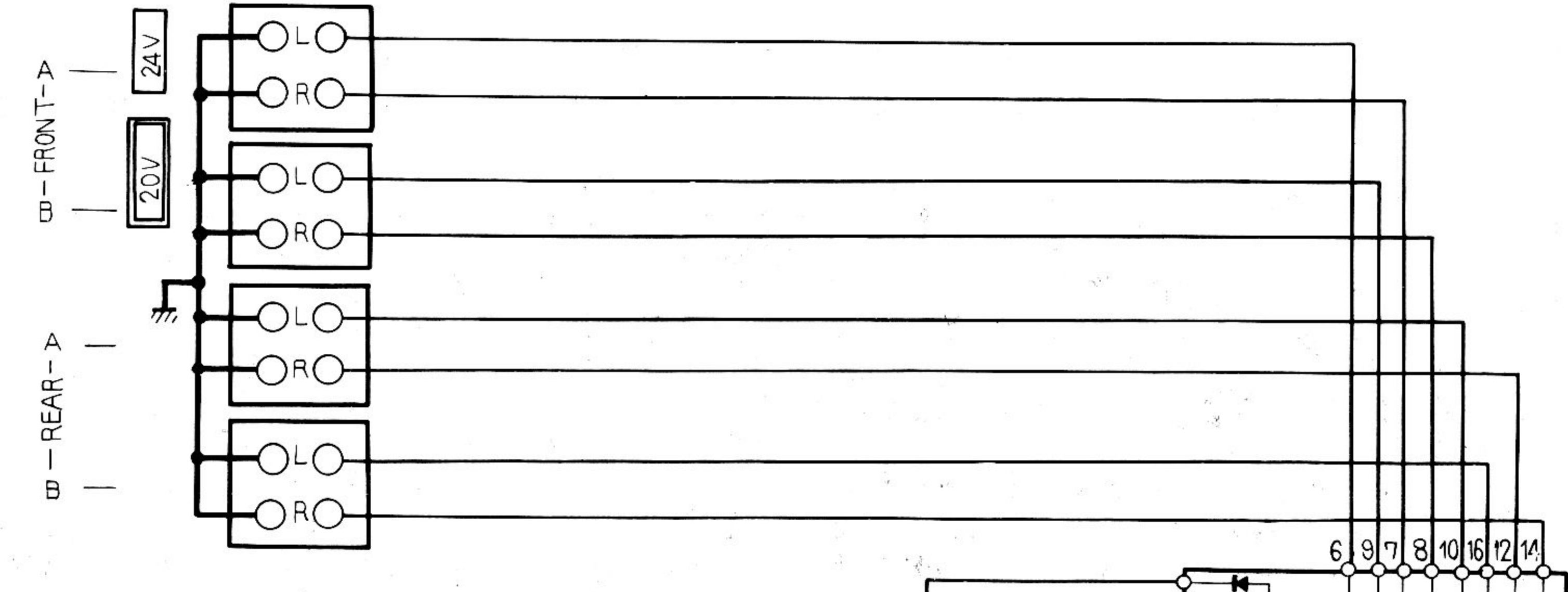
QX-949 1

TUNER Ass'y AWE - 027





AC 60 Hz
120V
AC 50/60 Hz
110V
120V
130V
220V
240V



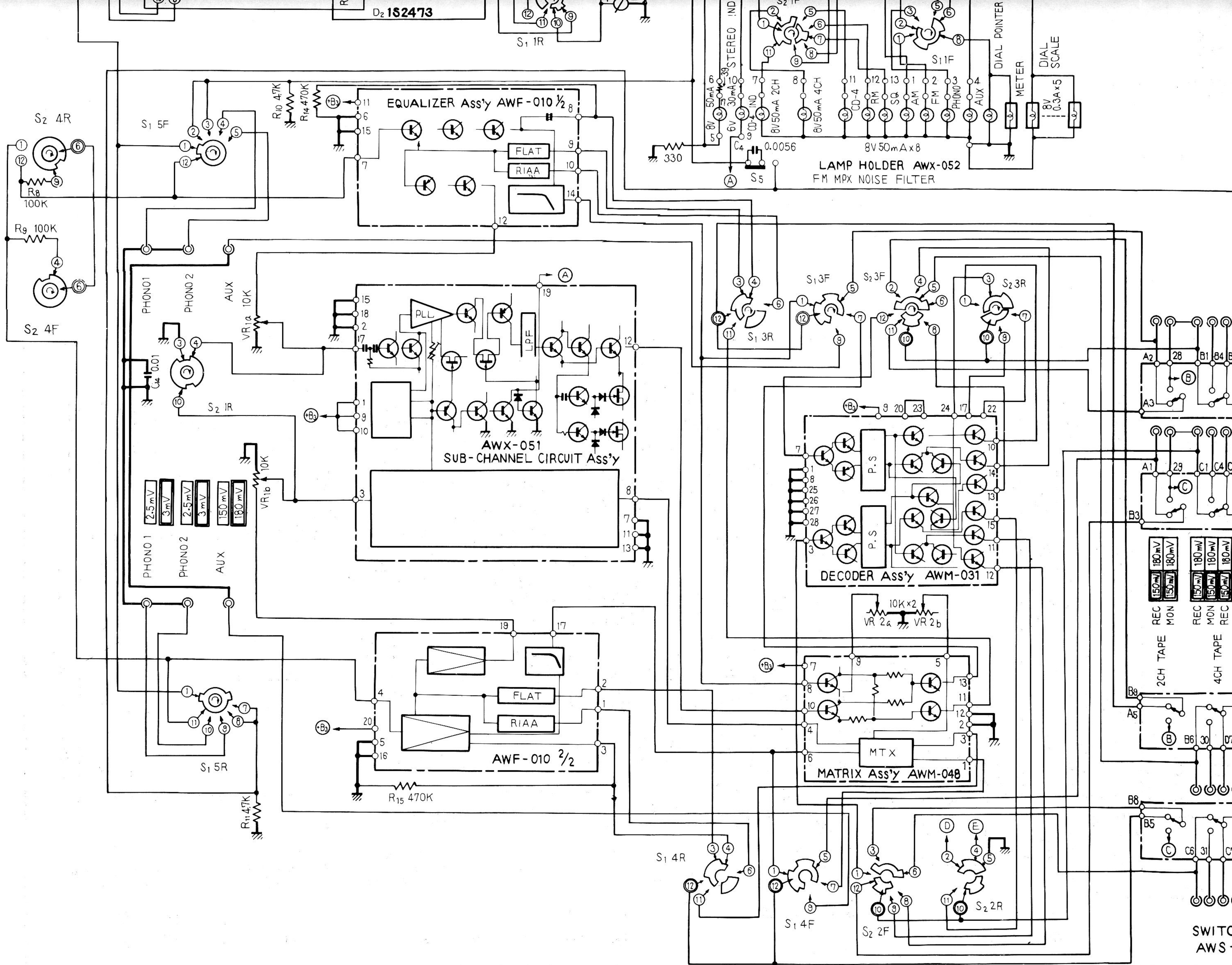
- NOTES
- : SIGNAL VOLTAGE NECESSARY FOR OBTAINING 50W/8Ω OUTPUT POWER (1KHz), S₈ SET AT 4CH.
 - : SIGNAL VOLTAGE NECESSARY FOR OBTAINING 72W/8Ω OUTPUT POWER (1KHz), S₈ SET AT 2CH.
 - : DC VOLTAGE AT NO INPUT SIGNAL, S₈ SET AT 4CH.
 - : DC CURRENT AT NO INPUT SIGNAL, S₈ SET AT 4CH.
 - : DC VOLTAGE AT 50W/8Ω OUTPUT POWER.
 - : DC CURRENT AT 50W/8Ω OUTPUT POWER.
 - () : DC VOLTAGE AT NO INPUT SIGNAL, S₈ SET AT 2CH.
 - () : DC CURRENT AT NO INPUT SIGNAL, S₈ SET AT 2CH.

RESISTORS
IN OHM, 1/4W, ±5% TOLERANCE UNLESS OTHERWISE NOTED. K: KΩ M: MΩ

CAPACITORS
IN μF UNLESS OTHERWISE NOTED.
P: pF

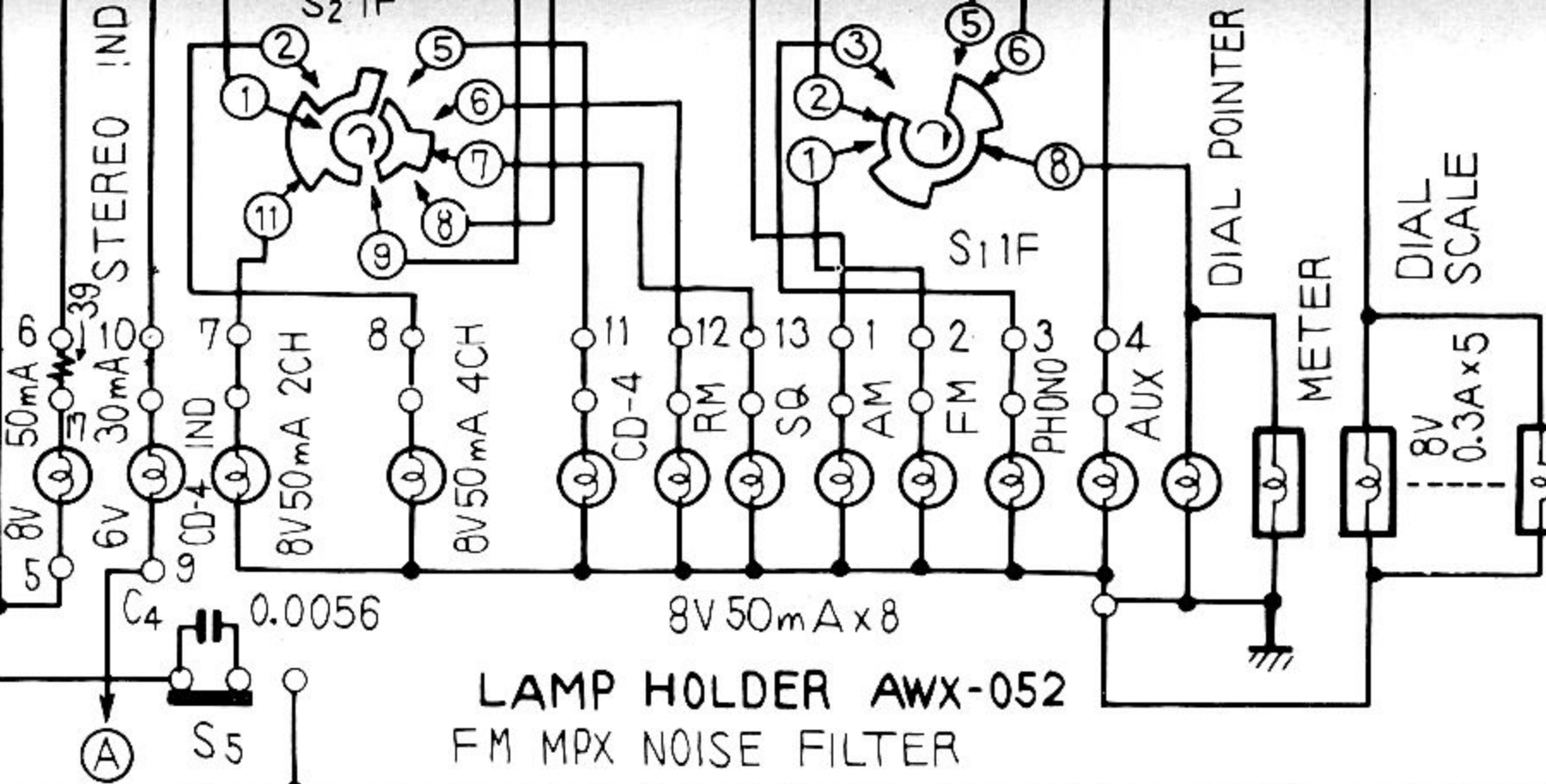
S₁ FUNCTION (AM position) S₂ MODE (2CH position)

1) AM	1) 2CH
2) FM MONO	2) CD-4
3) FM AUTO	

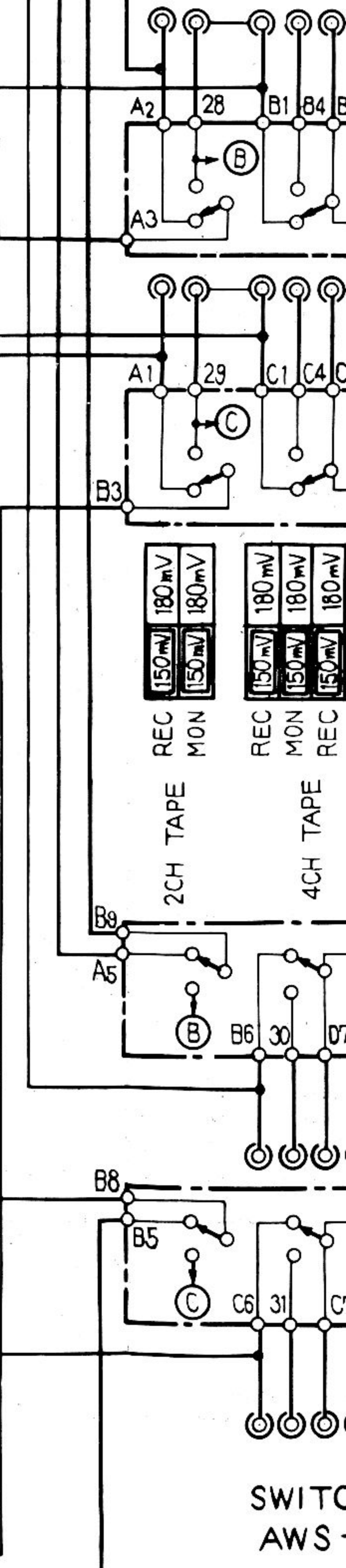
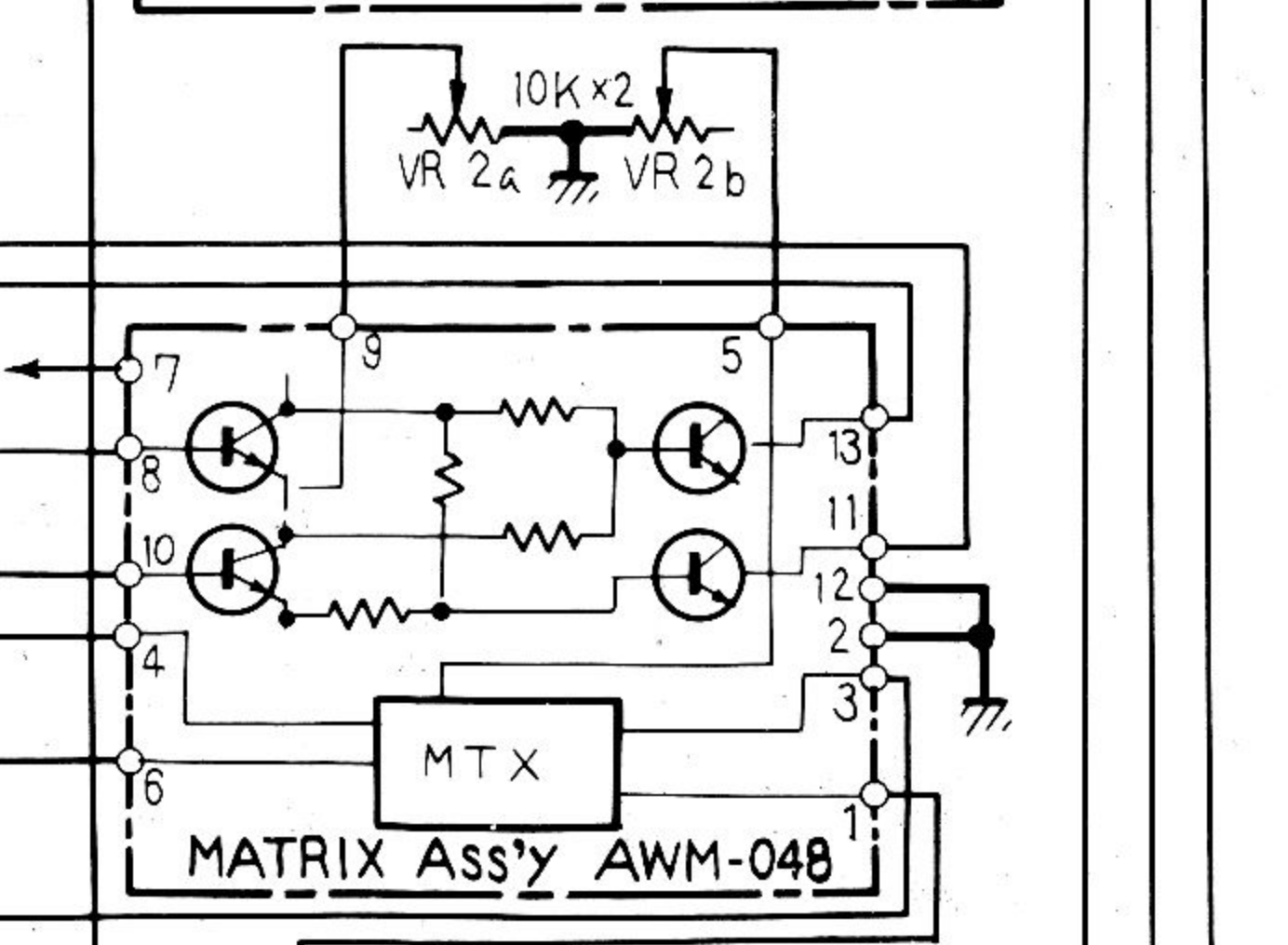
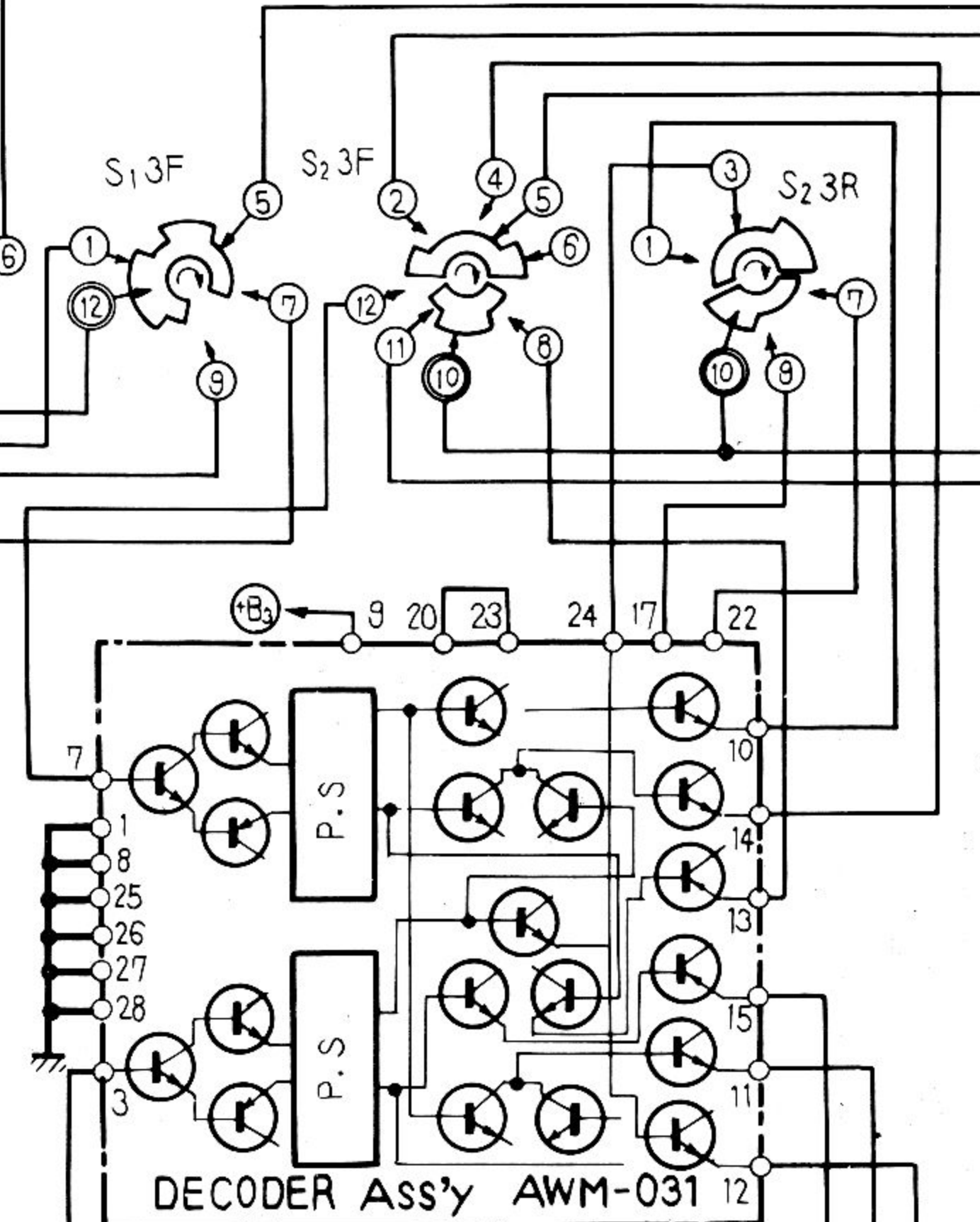
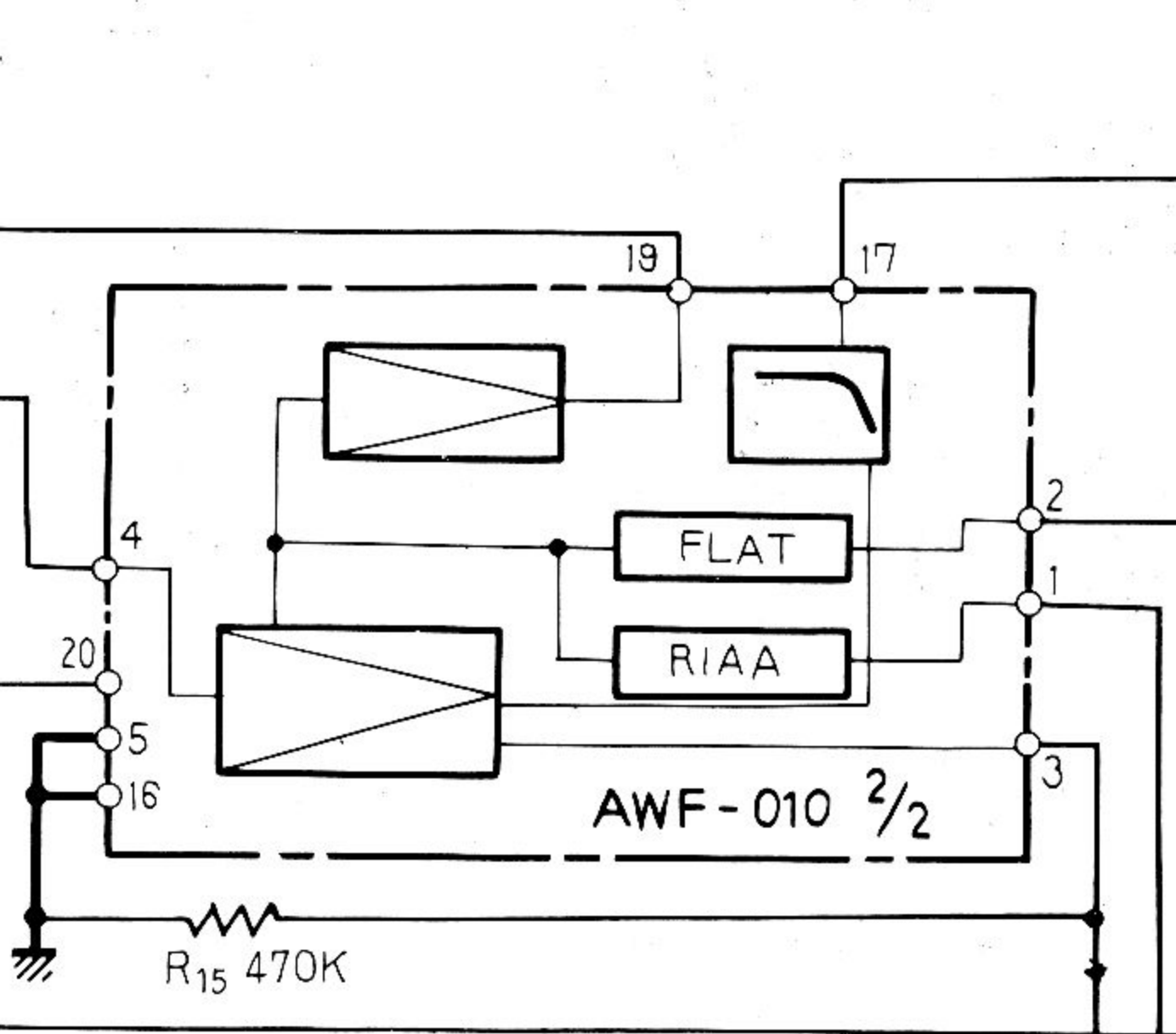
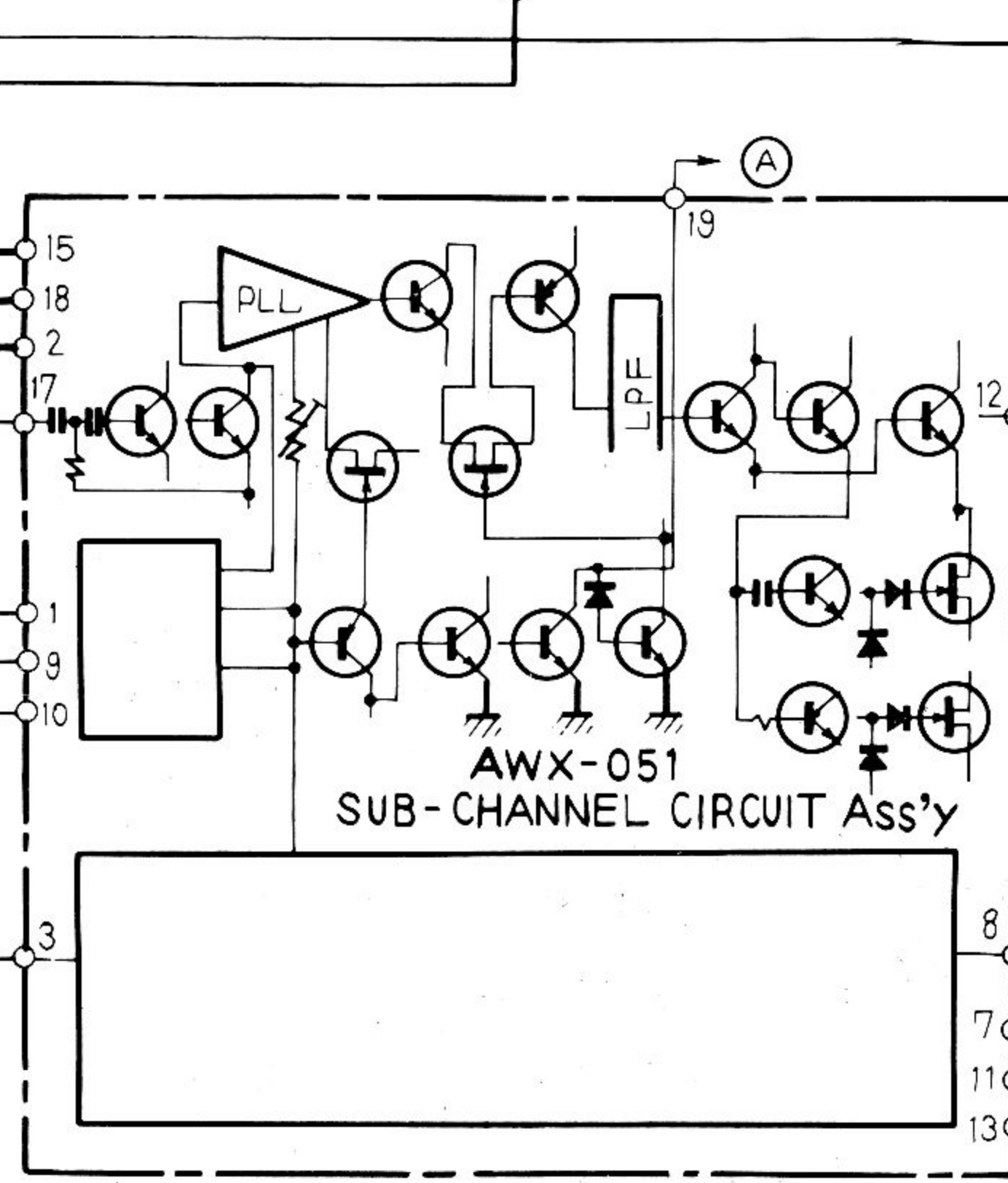
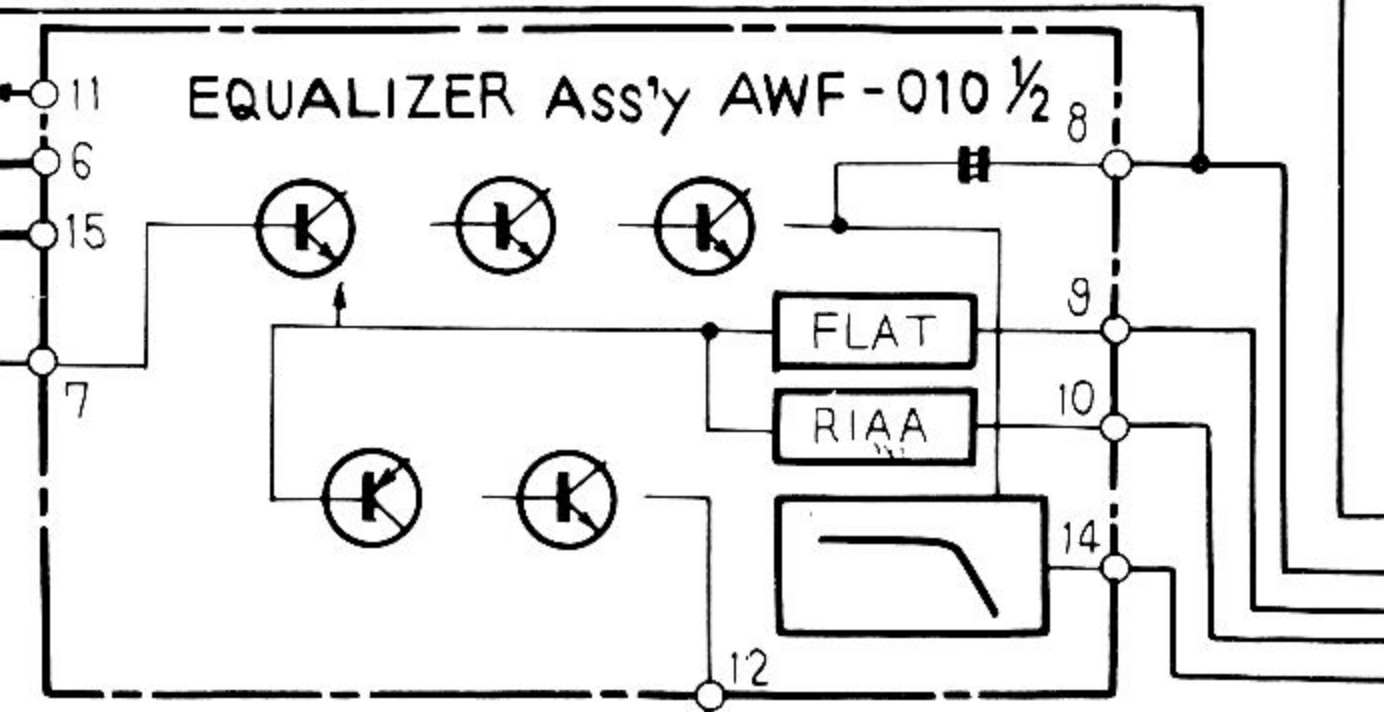


D₂ 1S2473

S₁ 1R



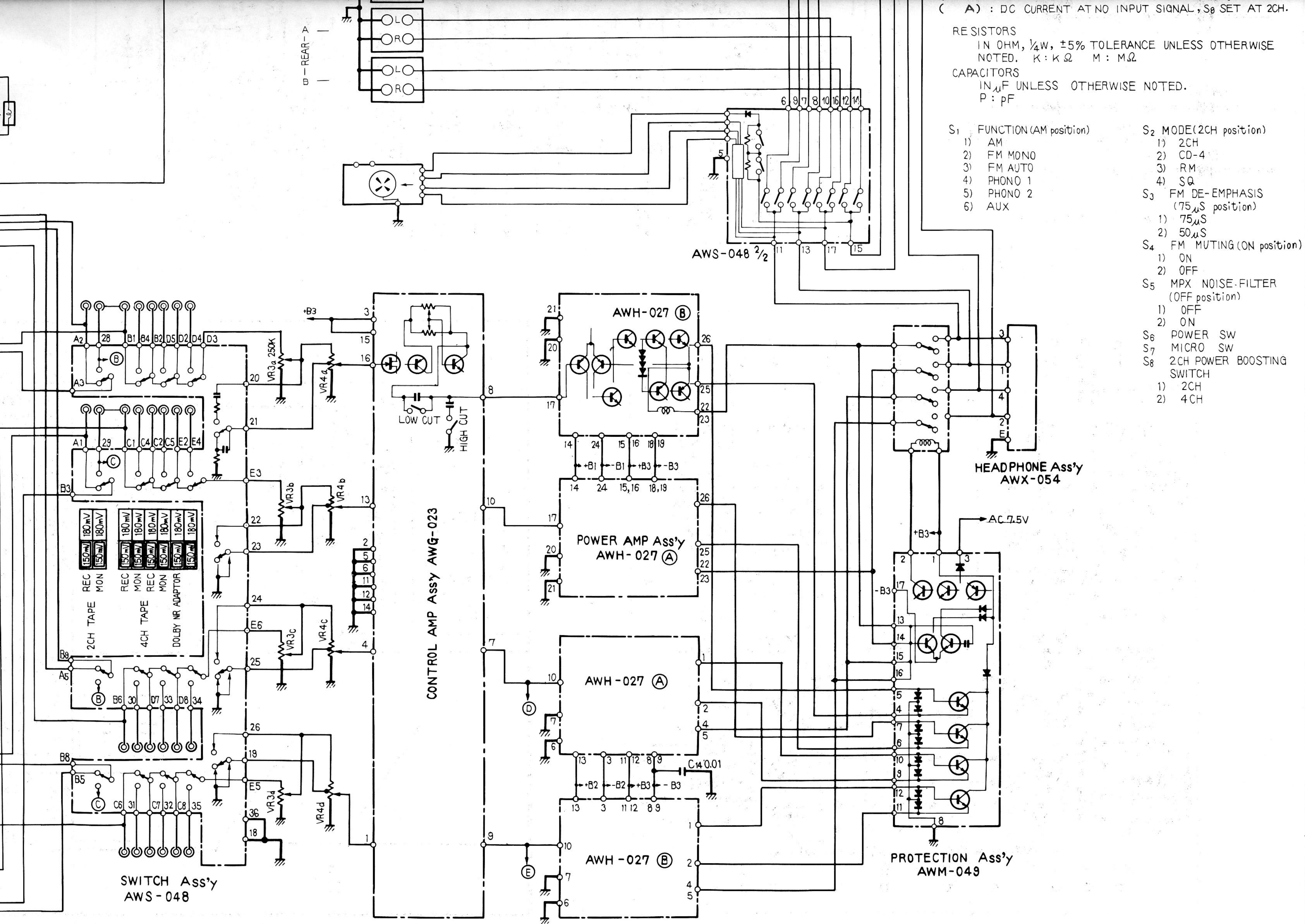
LAMP HOLDER AWX-052
FM MPX NOISE FILTER

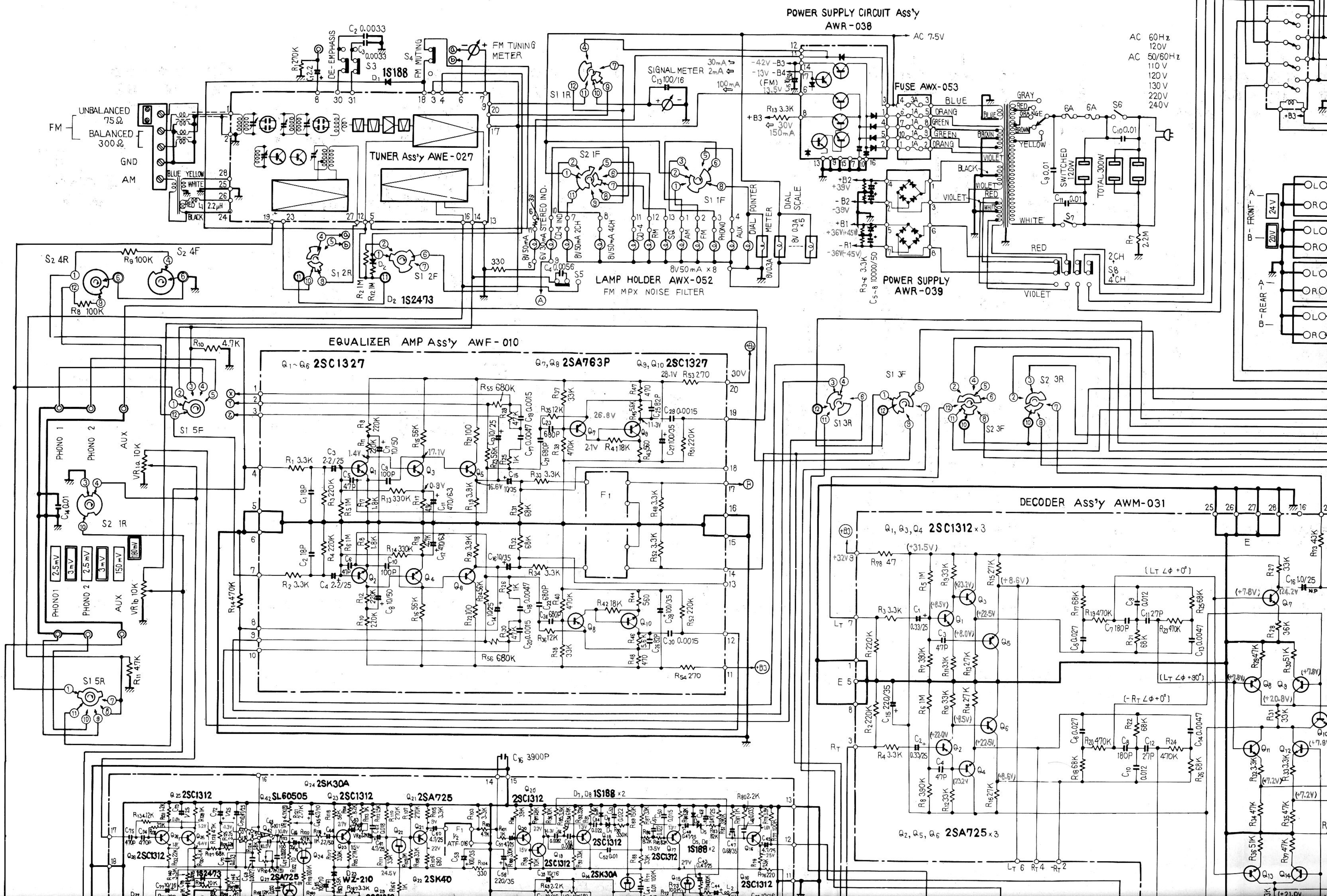


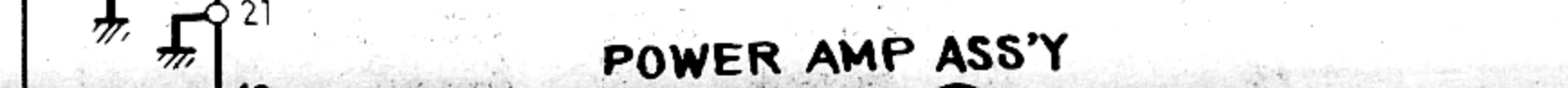
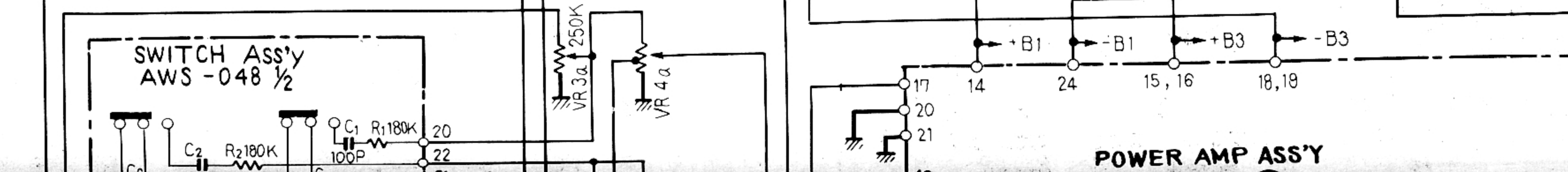
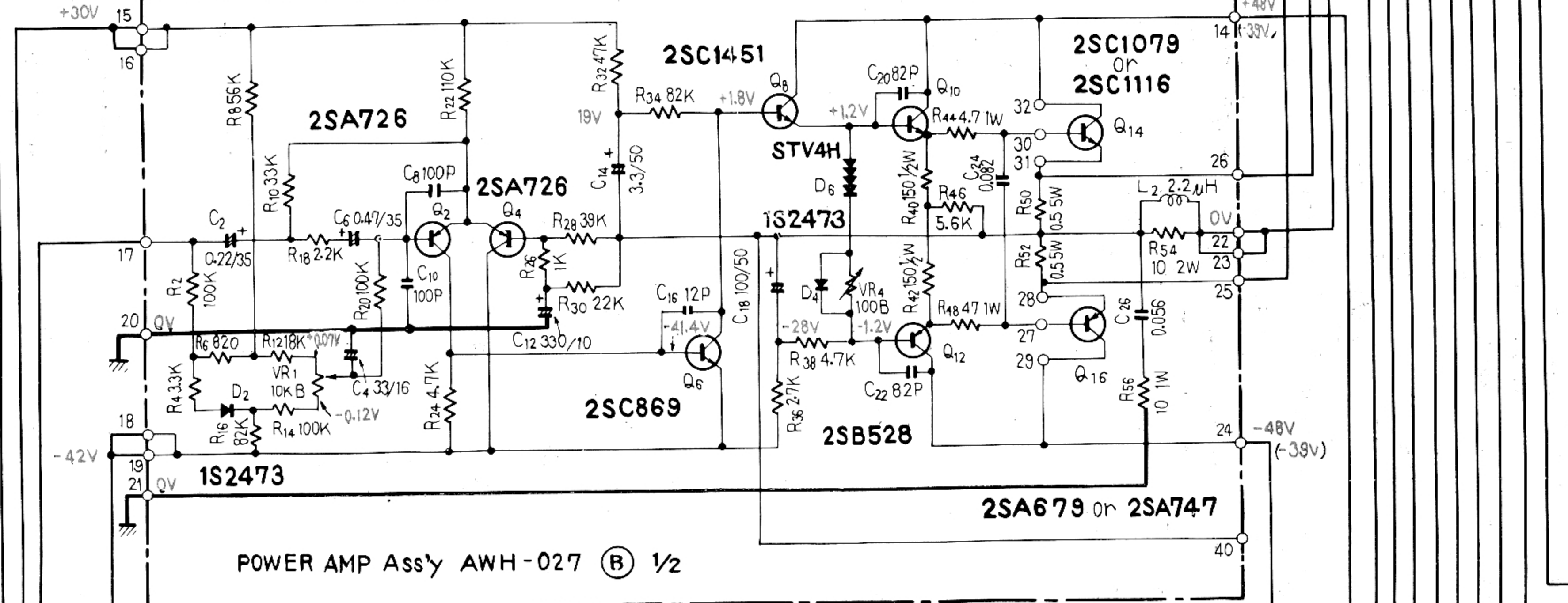
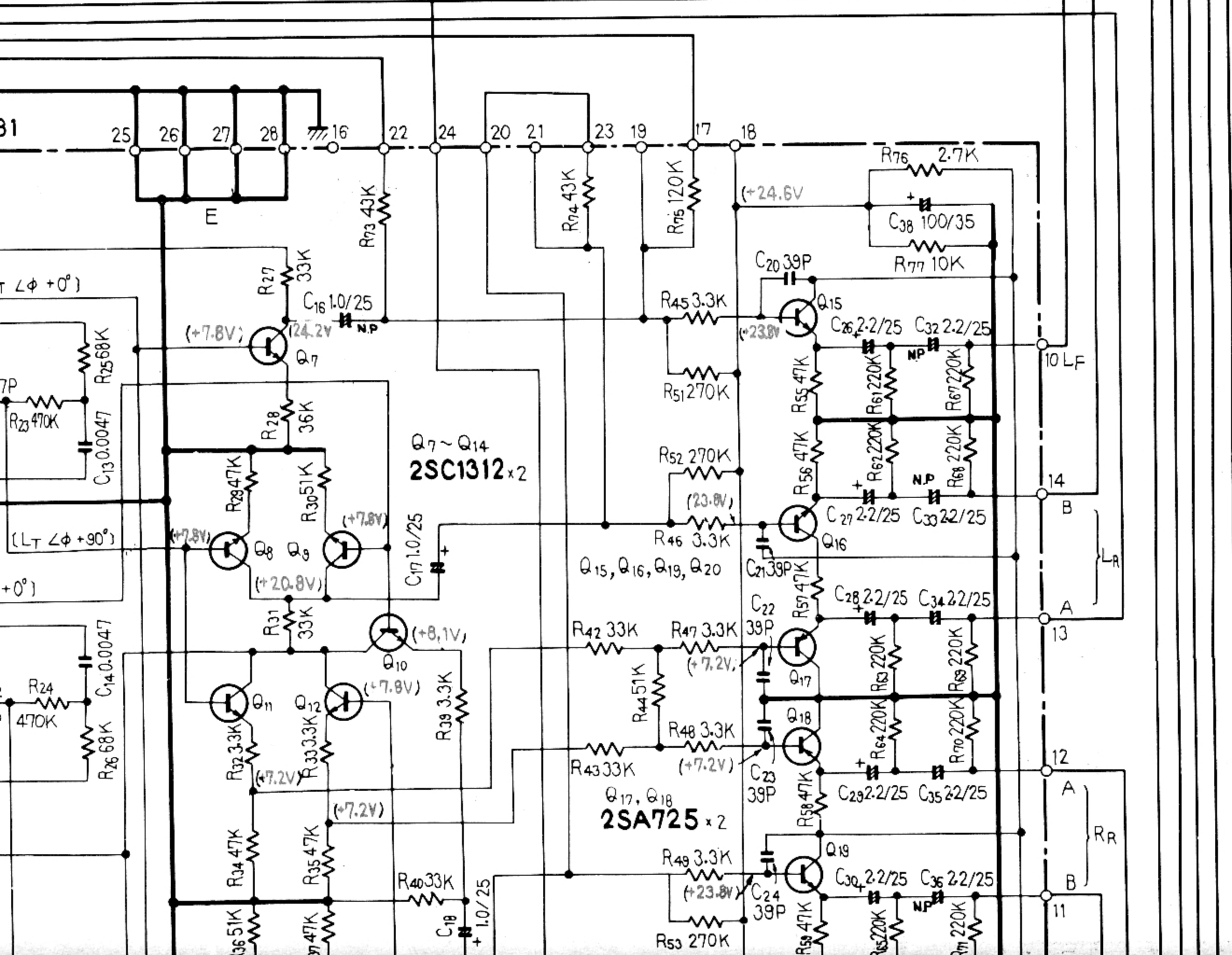
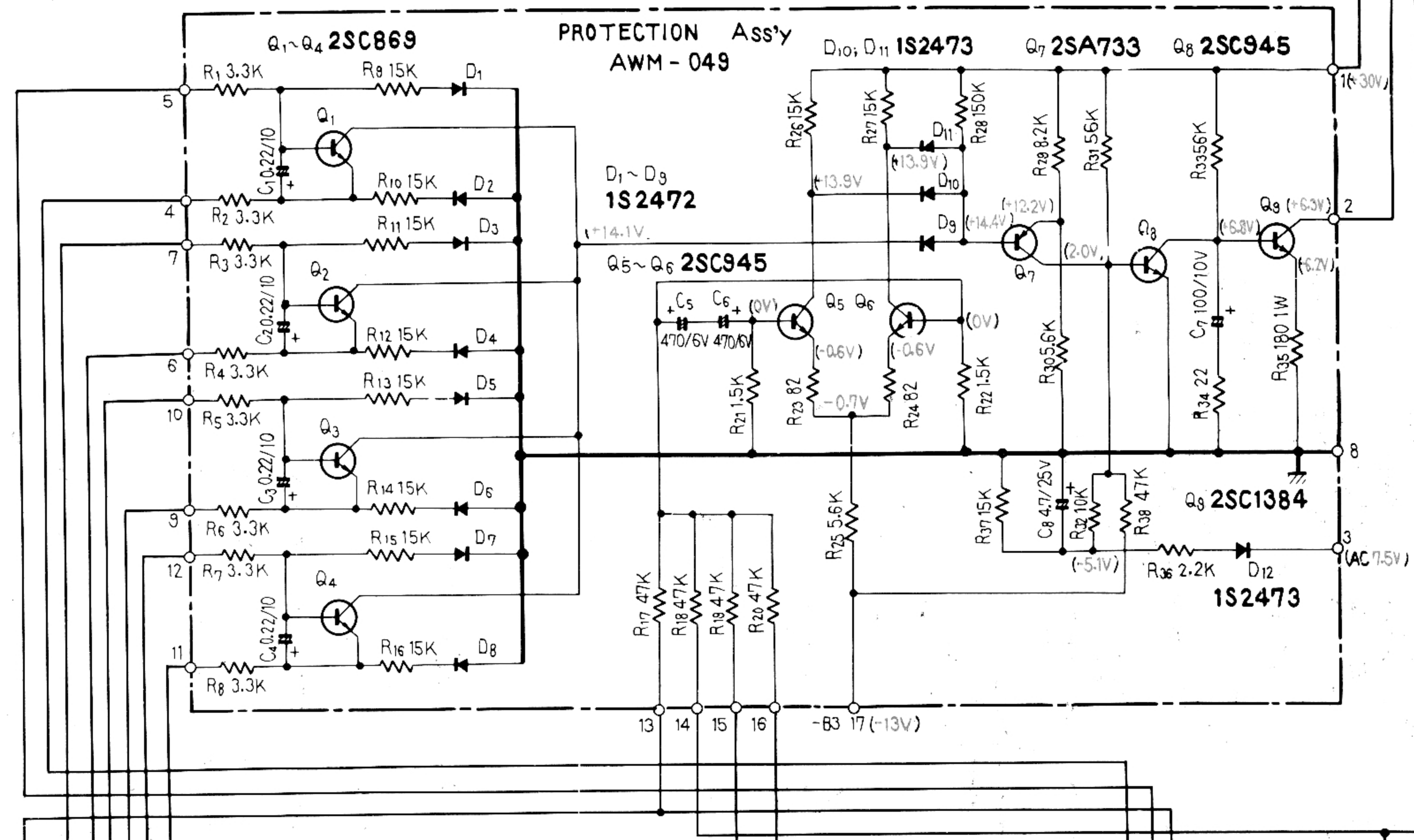
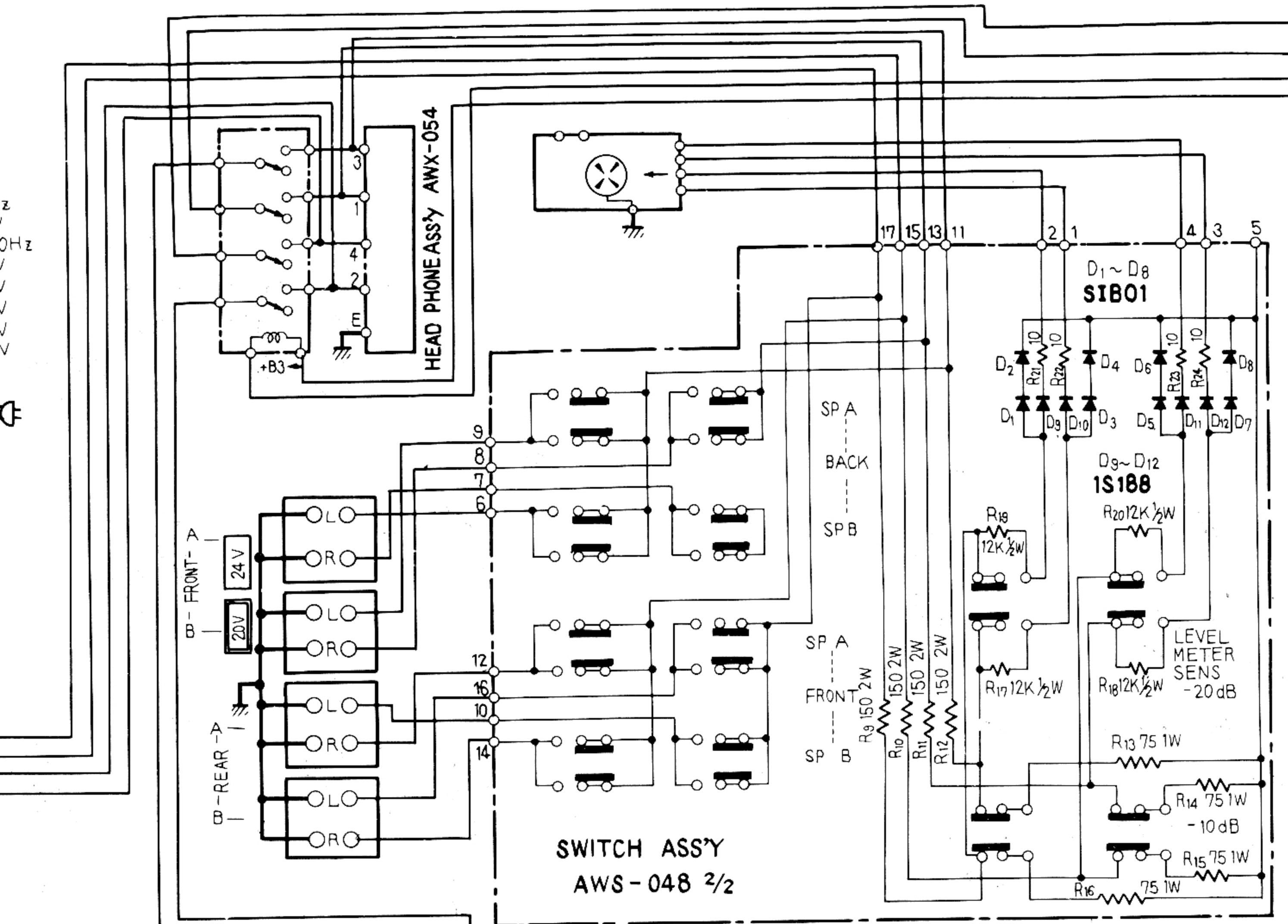
SWITC AWS

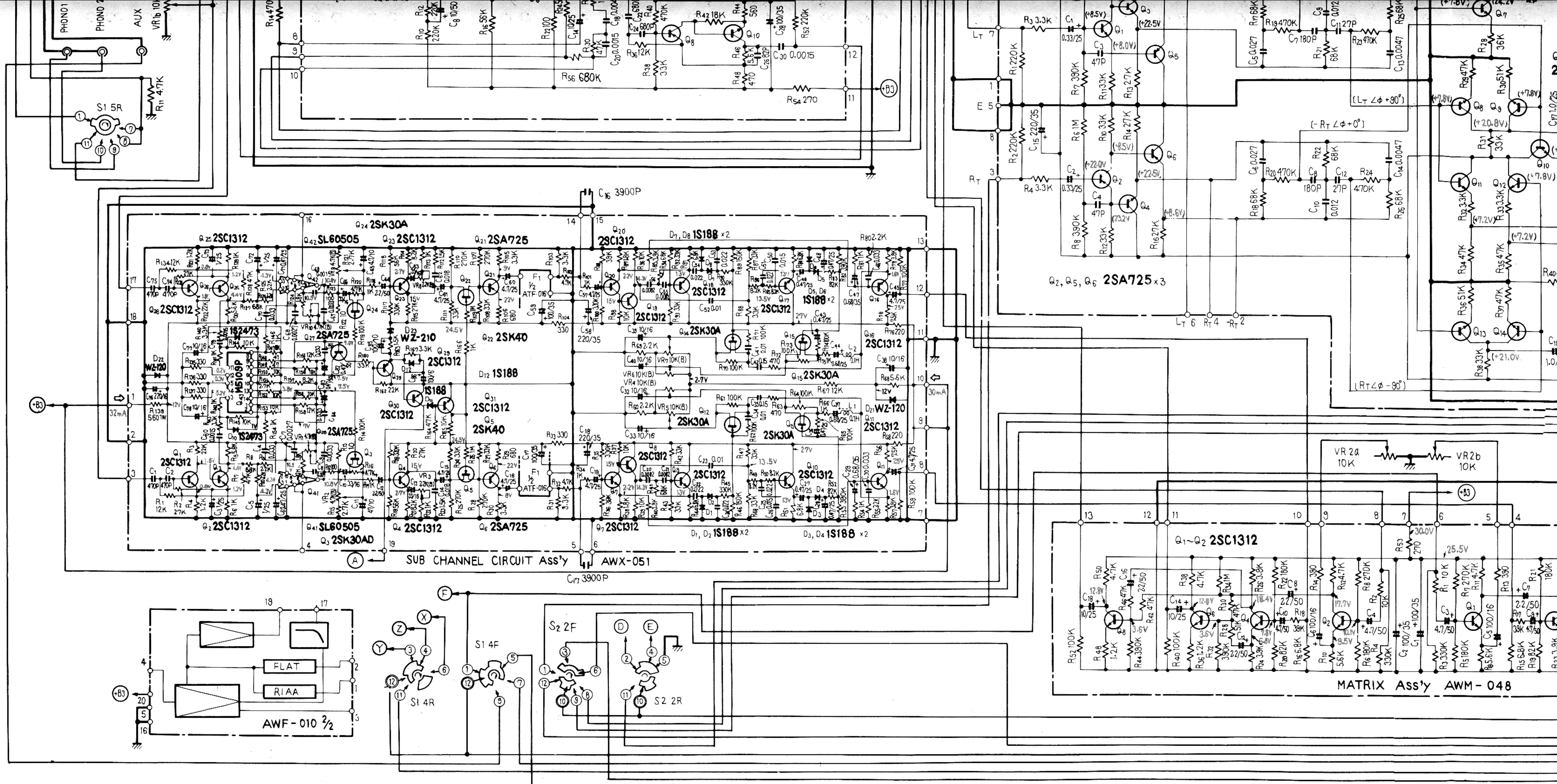
(A) : DC CURRENT AT NO INPUT SIGNAL, S₈ SET AT 2CH.
 RESISTORS
 IN OHM, 1/4W, ±5% TOLERANCE UNLESS OTHERWISE NOTED. K: KΩ M: MΩ
 CAPACITORS
 IN μF UNLESS OTHERWISE NOTED.
 P: pF

- S₁ FUNCTION (AM position)
 1) AM
 2) FM MONO
 3) FM AUTO
 4) PHONO 1
 5) PHONO 2
 6) AUX
- S₂ MODE (2CH position)
 1) 2CH
 2) CD-4
 3) RM
 4) SQ
- S₃ FM DE-EMPHASIS (75 μS position)
 1) 75 μS
 2) 50 μS
- S₄ FM MUTING (ON position)
 1) ON
 2) OFF
- S₅ MPX NOISE-FILTER (OFF position)
 1) OFF
 2) ON
- S₆ POWER SW
 S₇ MICRO SW
 S₈ 2CH POWER BOOSTING SWITCH
 1) 2CH
 2) 4CH









S1 FUNCTION (AM position)

- 1) AM
- 2) FM MONO
- 3) FM AUTO
- 4) PHONO 1
- 5) PHONO 2
- 6) AUX

S2 MODE (2CH position)

- 1) 2CH
- 2) CD-4
- 3) RM
- 4) SQ

S3 FM DE-EMPHASIS (75μS position)

- 1) 75μS
- 2) 50μS

S4 FM MUTING (ON position)

- 1) ON
- 2) OFF

S5 MPX NOISE FILTER (OFF position)

- 1) OFF
- 2) ON

S6 POWER SW

S7 MICRO SW

S8 2CH POWER BOOSTING SW (2CH position)

- 1) 2CH
- 2) 4CH

NOTES

: SIGNAL VOLTAGE NECESSARY FOR OBTAINING 50W/8Ω OUTPUT POWER (1KHz), S8 SET AT 4CH.

: SIGNAL VOLTAGE NECESSARY FOR OBTAINING 72W/8Ω OUTPUT POWER (1KHz), S8 SET AT 2CH.

: DC VOLTAGE AT NO INPUT SIGNAL, S8 SET AT 4CH.

: DC CURRENT AT NO INPUT SIGNAL, S8 SET AT 4CH.

: DC VOLTAGE AT 50W/8Ω OUTPUT POWER.

: DC CURRENT AT 50W/8Ω OUTPUT POWER.

: DC VOLTAGE AT NO INPUT SIGNAL, S8 SET AT 2CH.

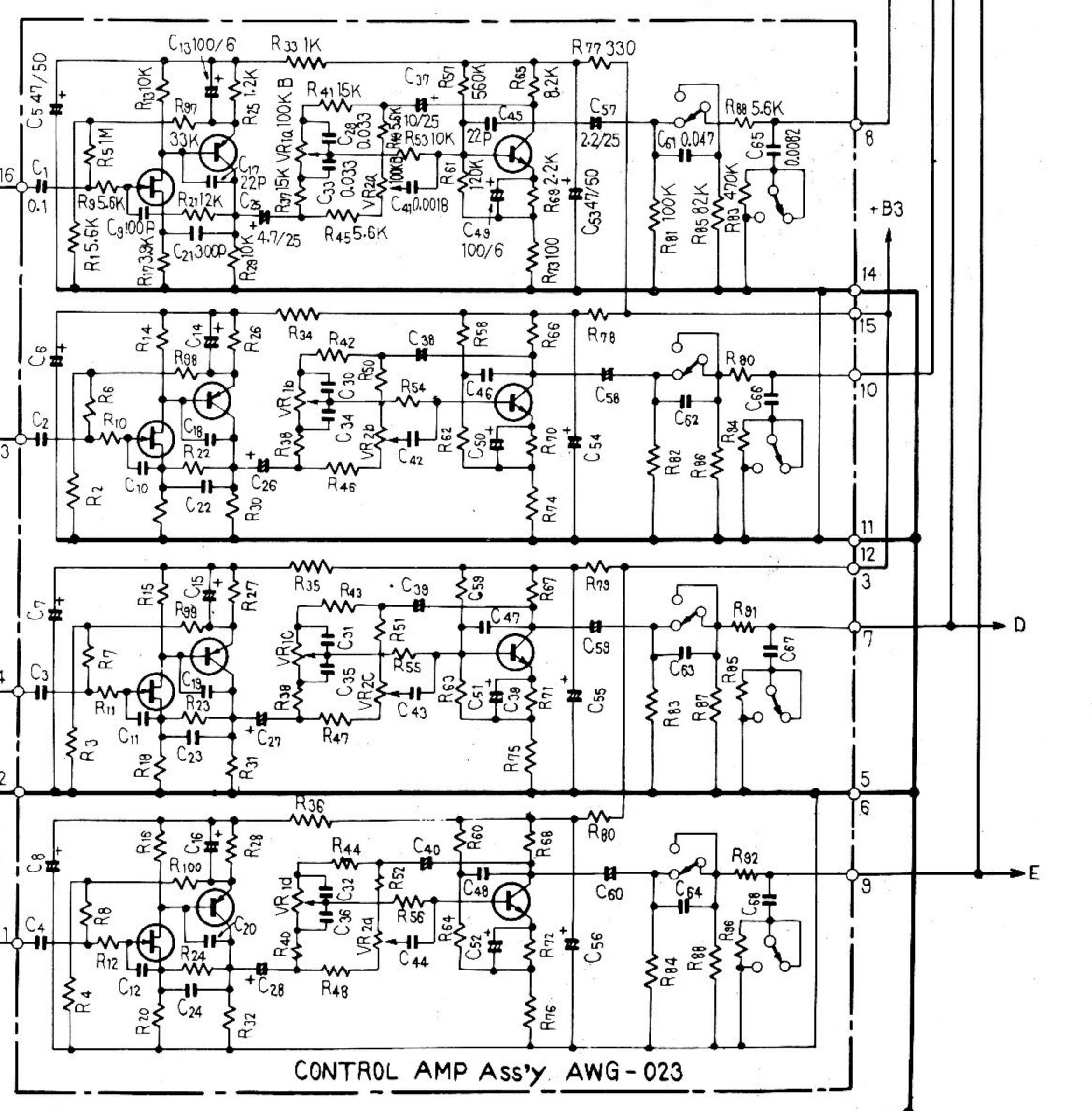
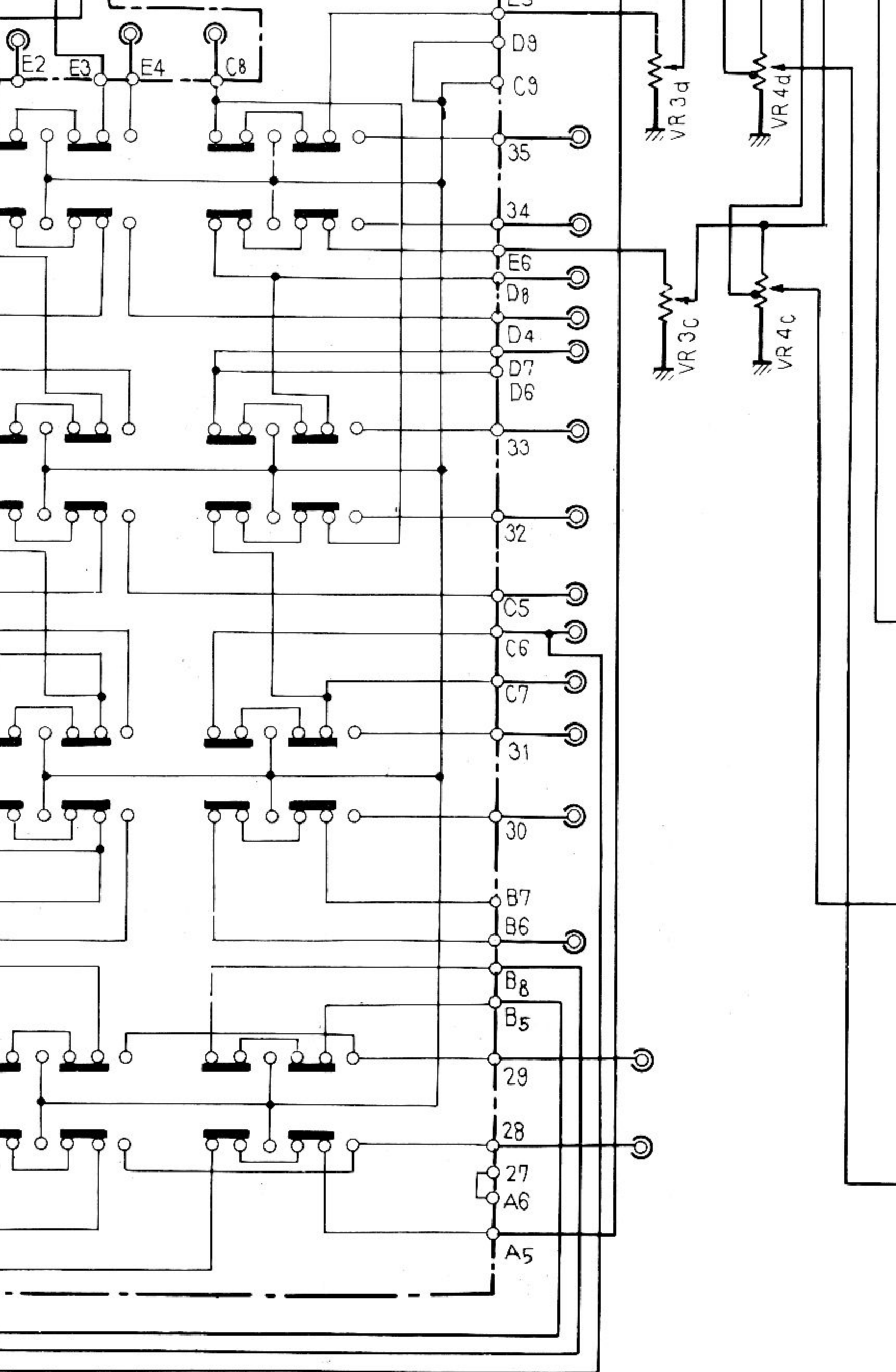
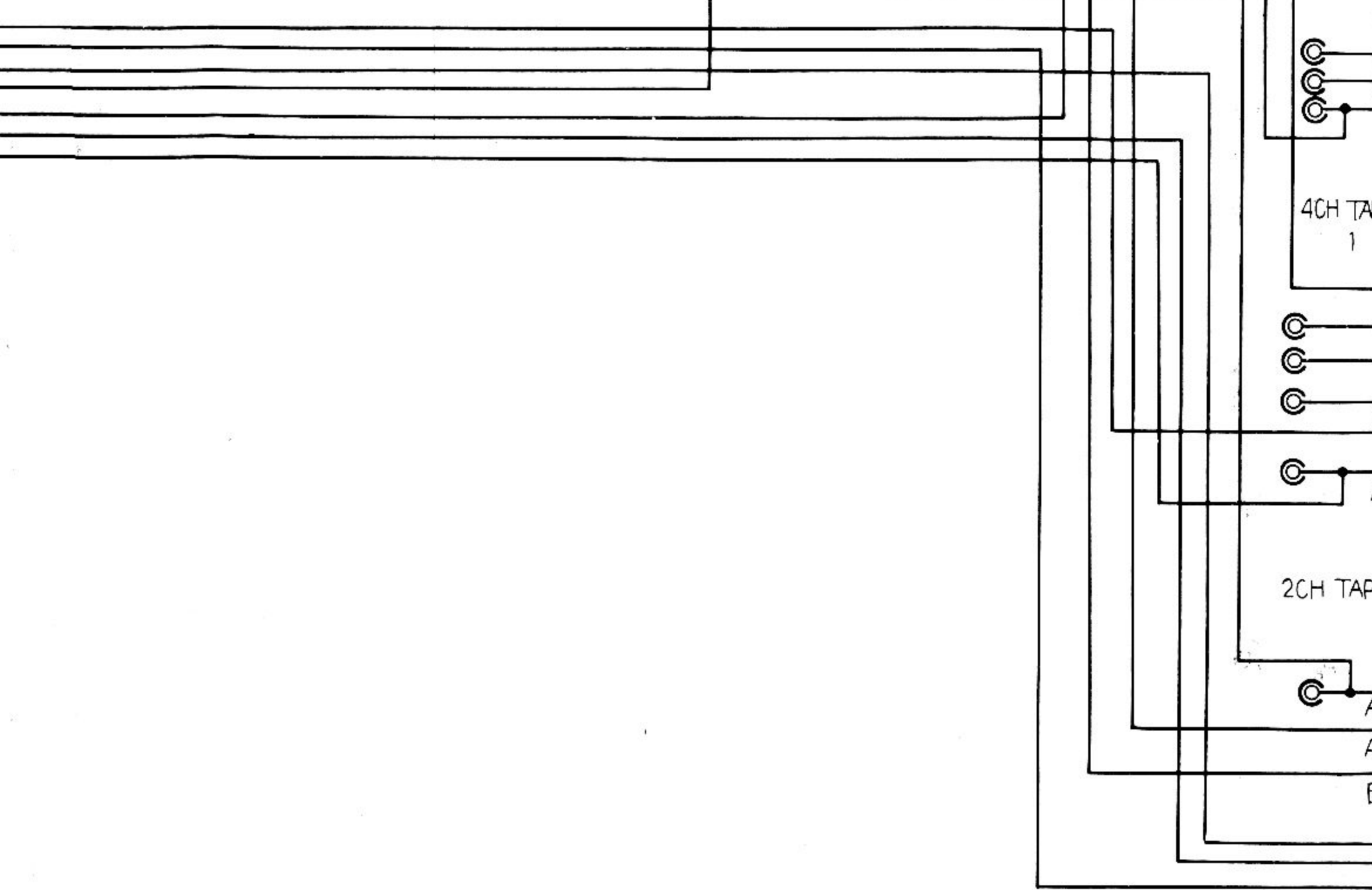
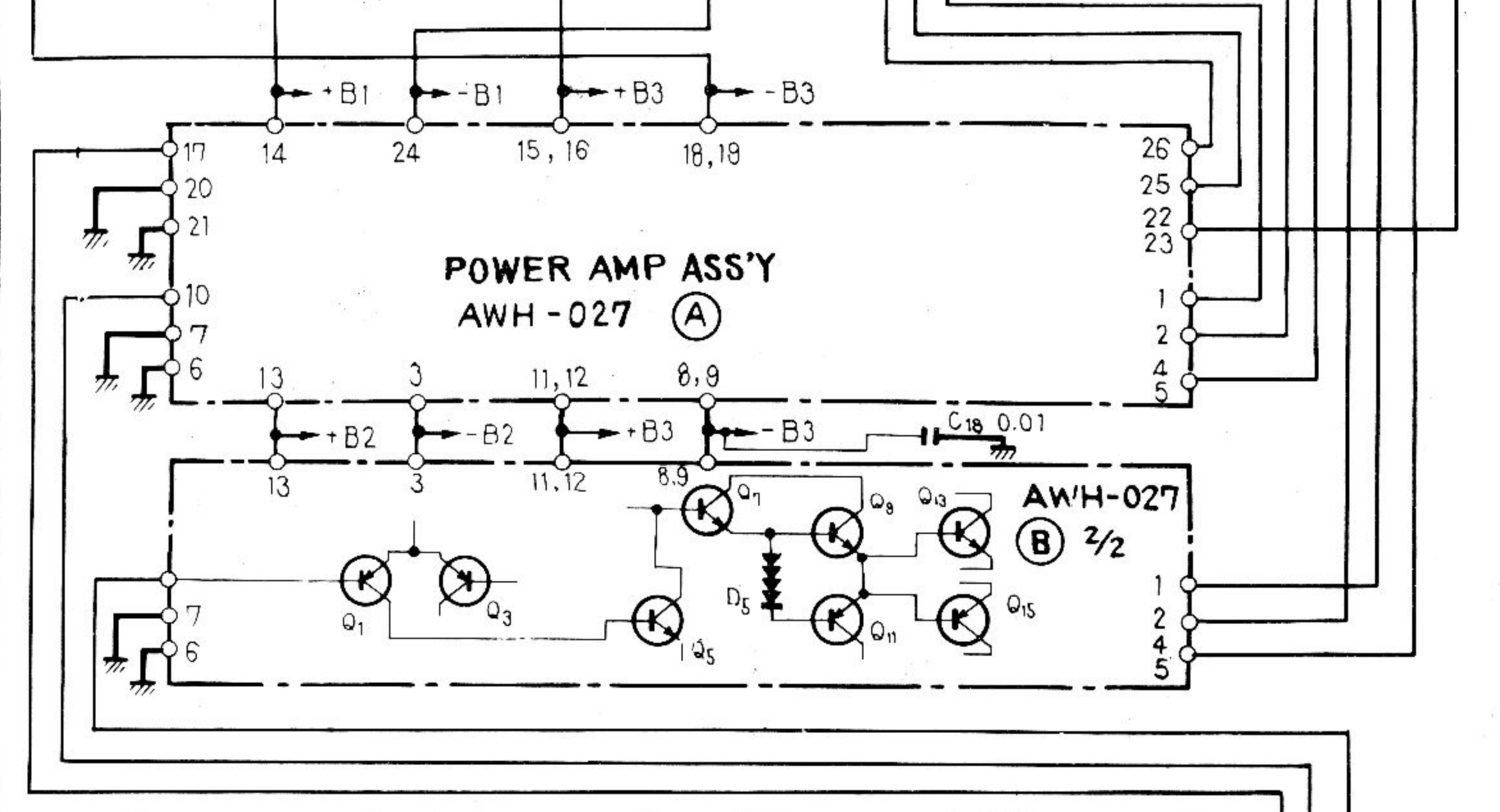
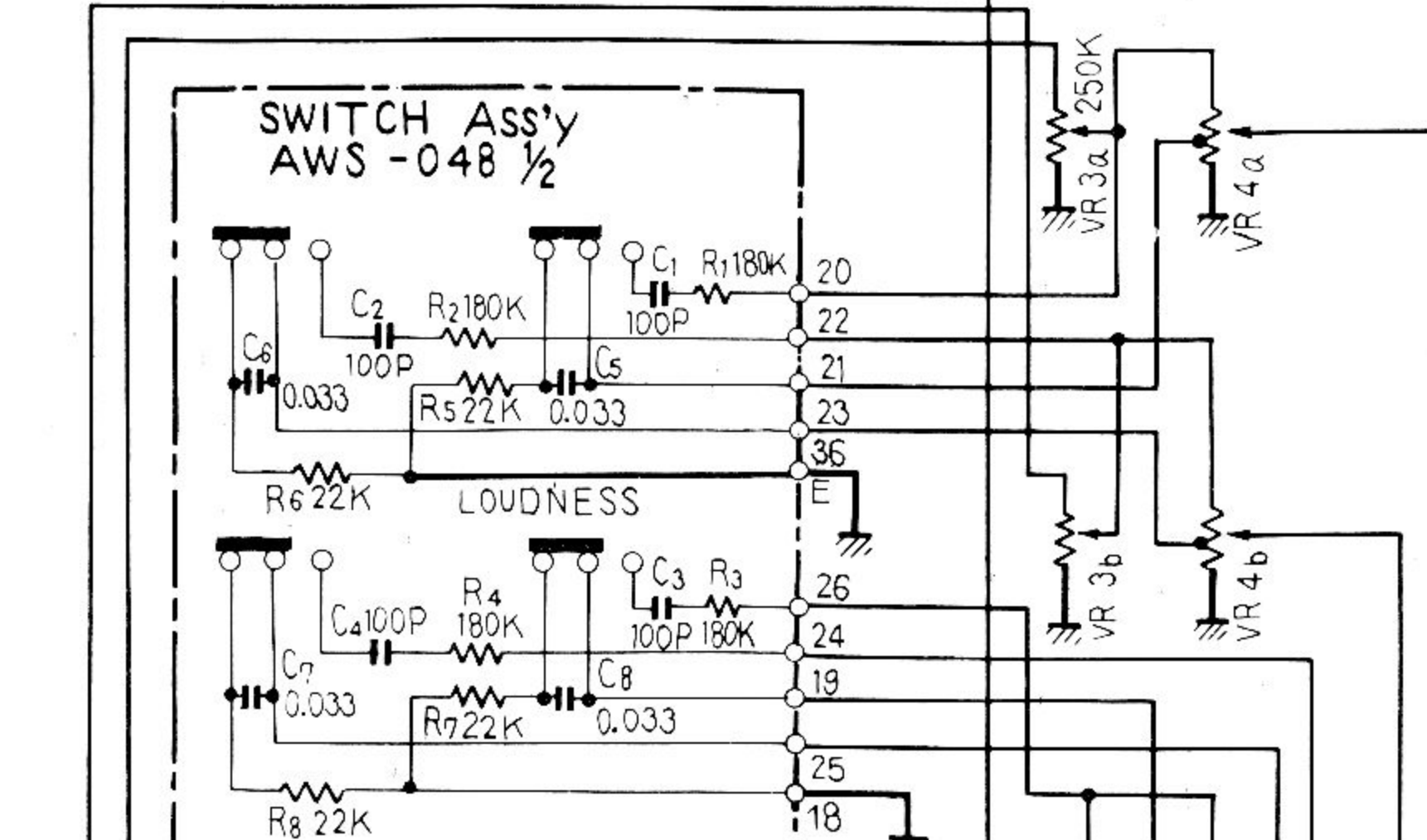
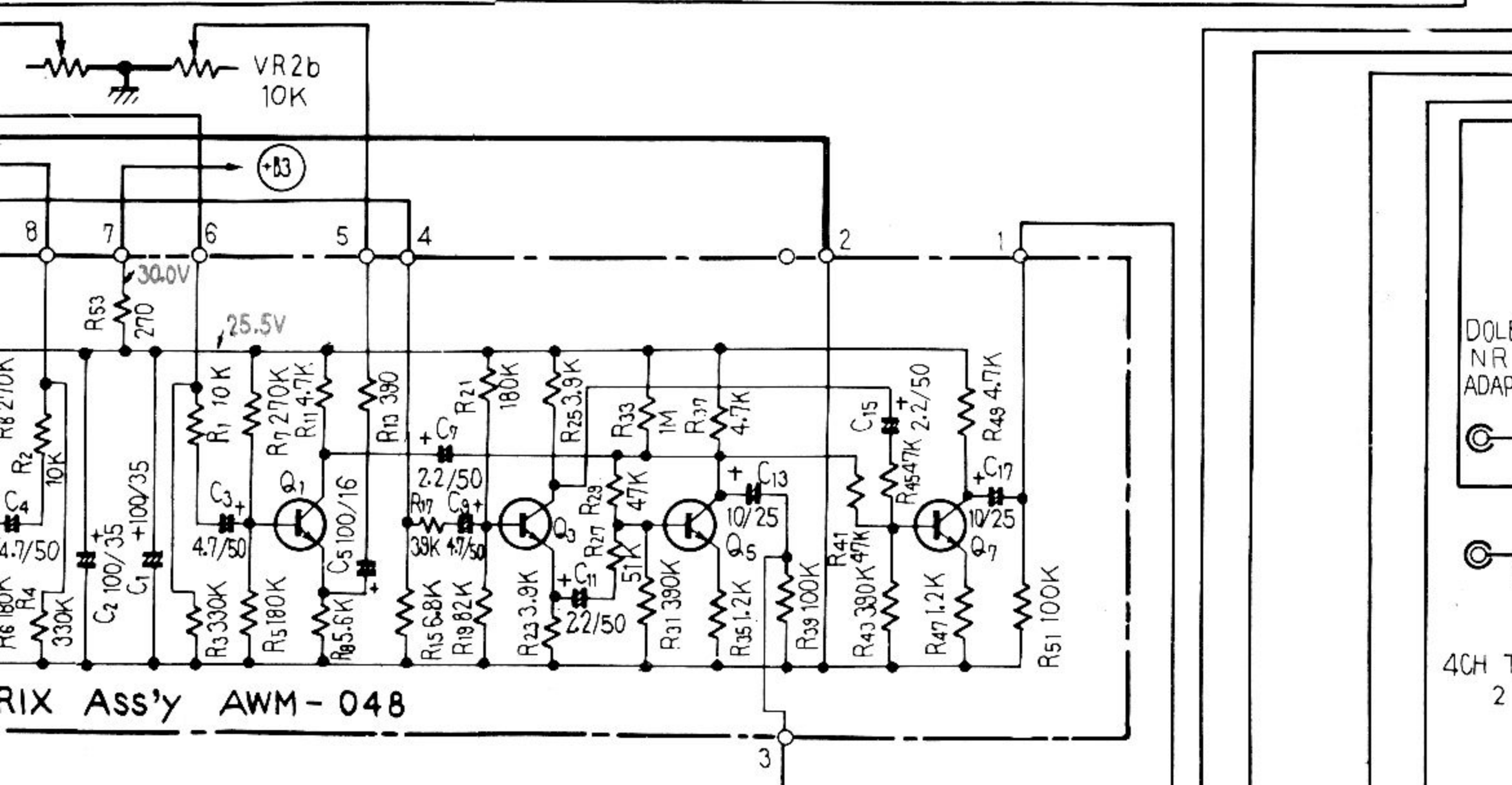
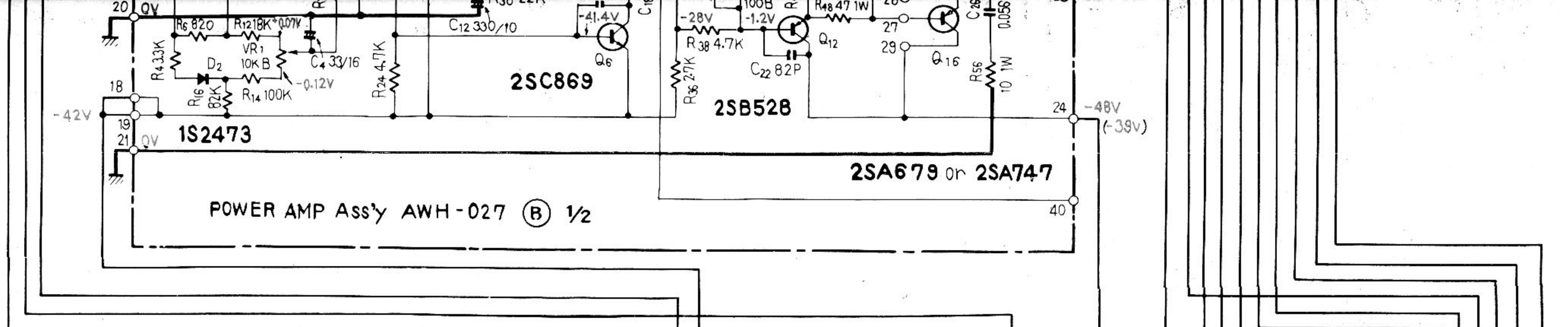
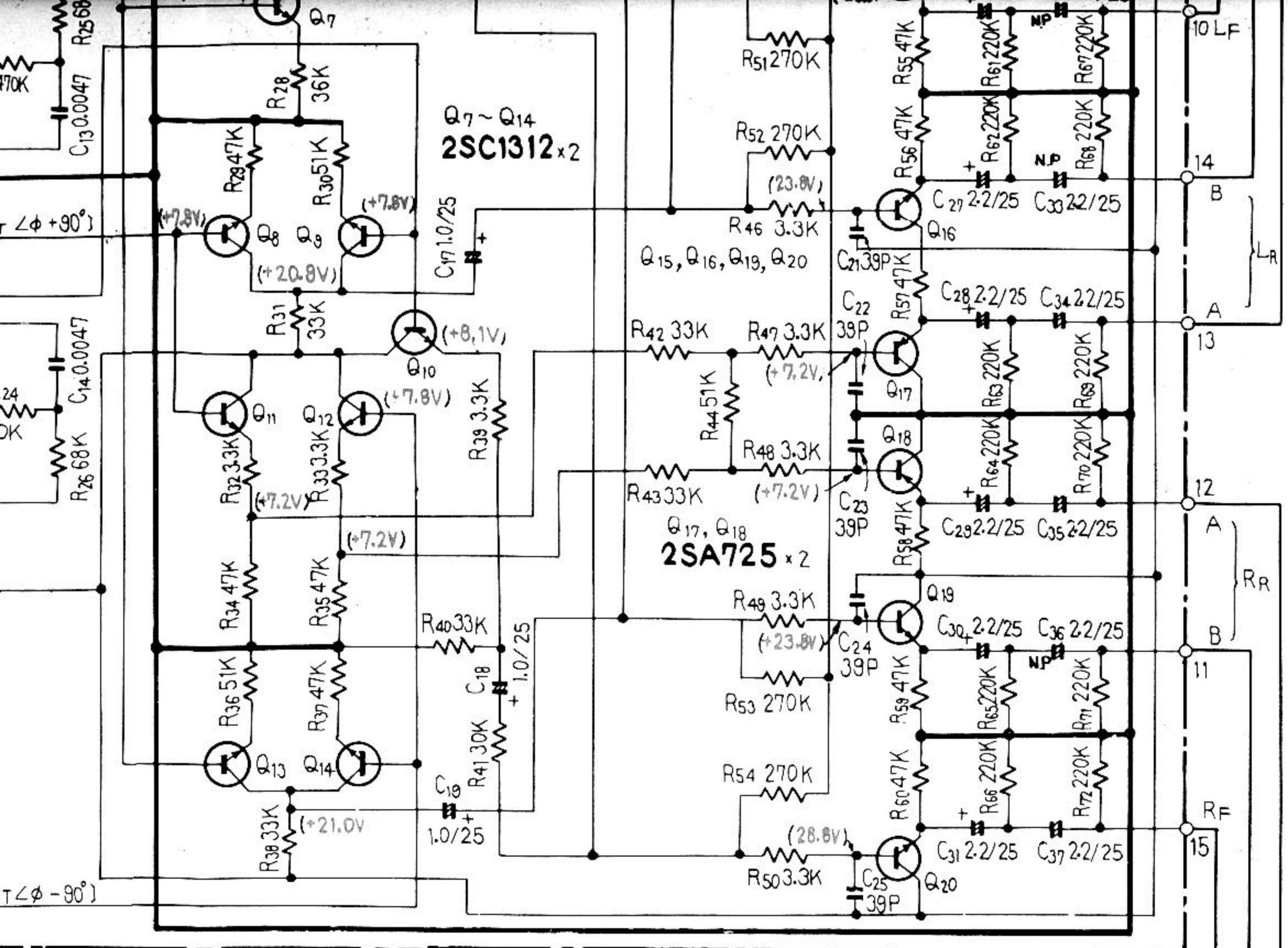
: DC CURRENT AT NO INPUT SIGNAL, S8 SET AT 2CH.

RESISTORS

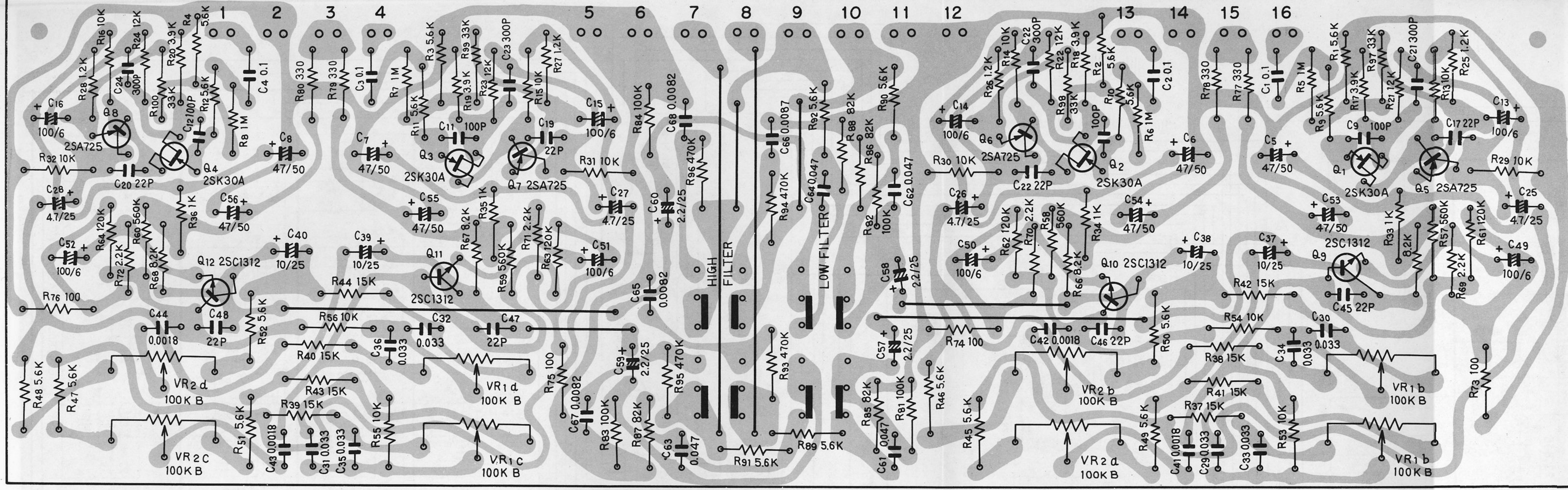
IN OHM, 1/4W, ±5% TOLERANCE UNLESS OTHERWISE NOTED. K: KΩ M: MΩ

CAPACITORS

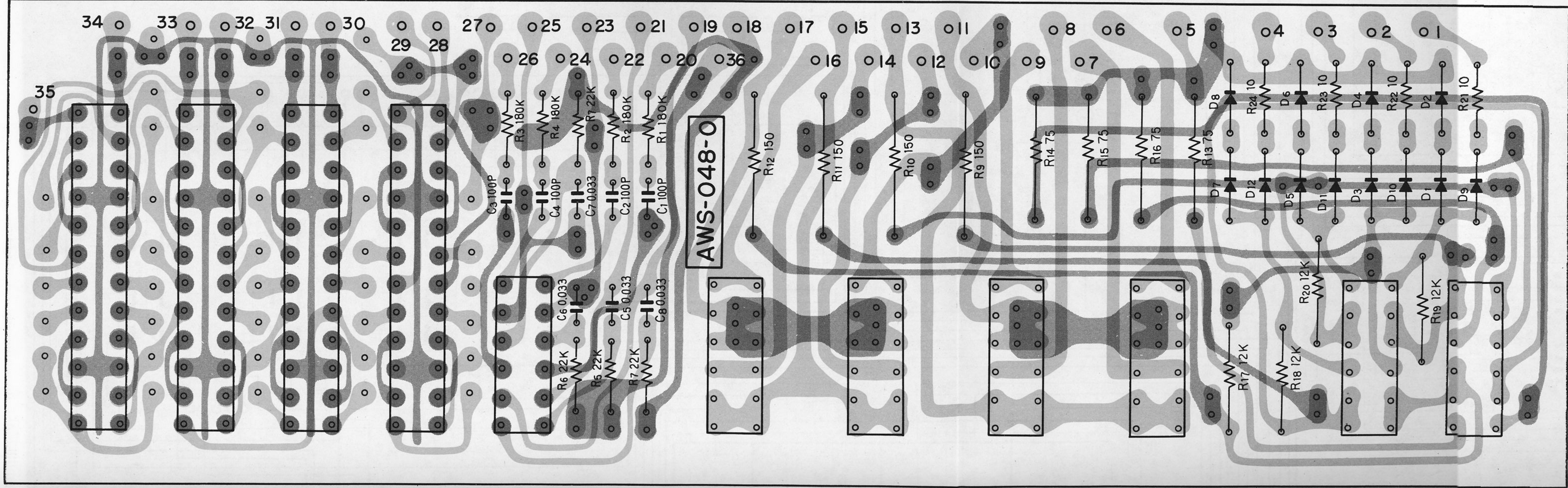
IN μF UNLESS OTHERWISE NOTED. P: pF



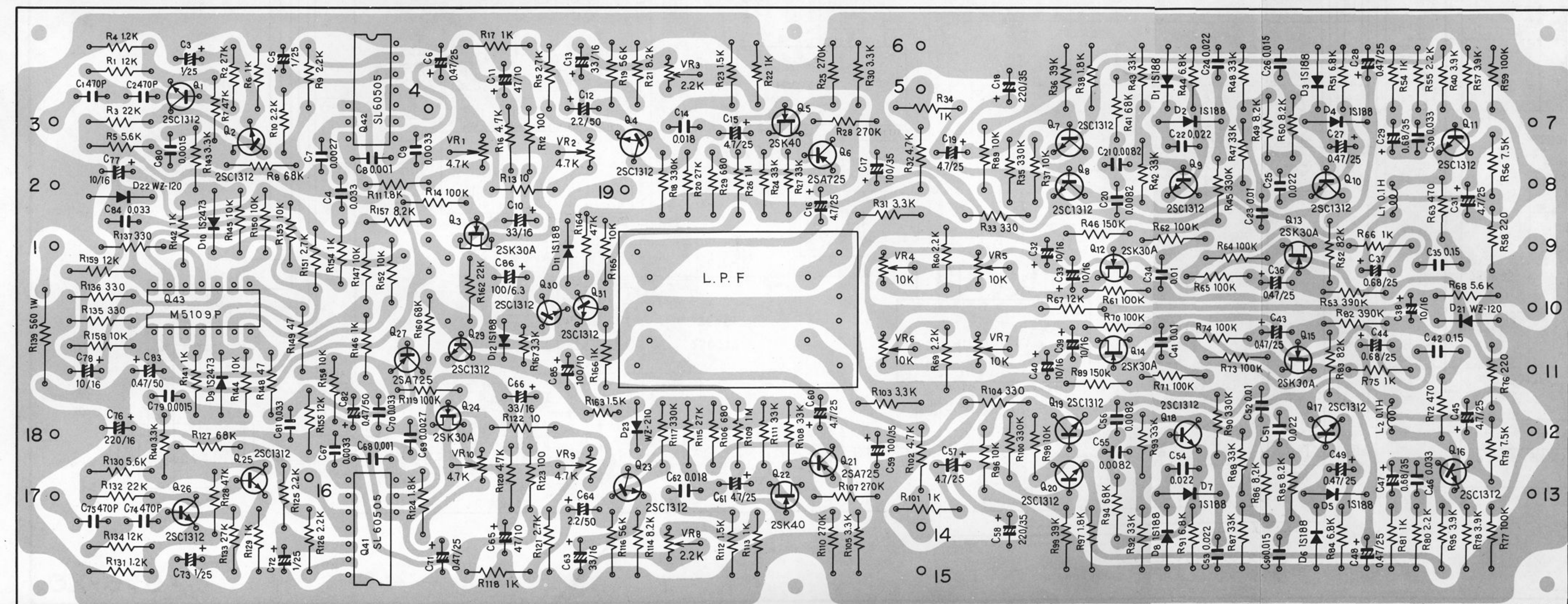
Control amp ass'y AWG-023



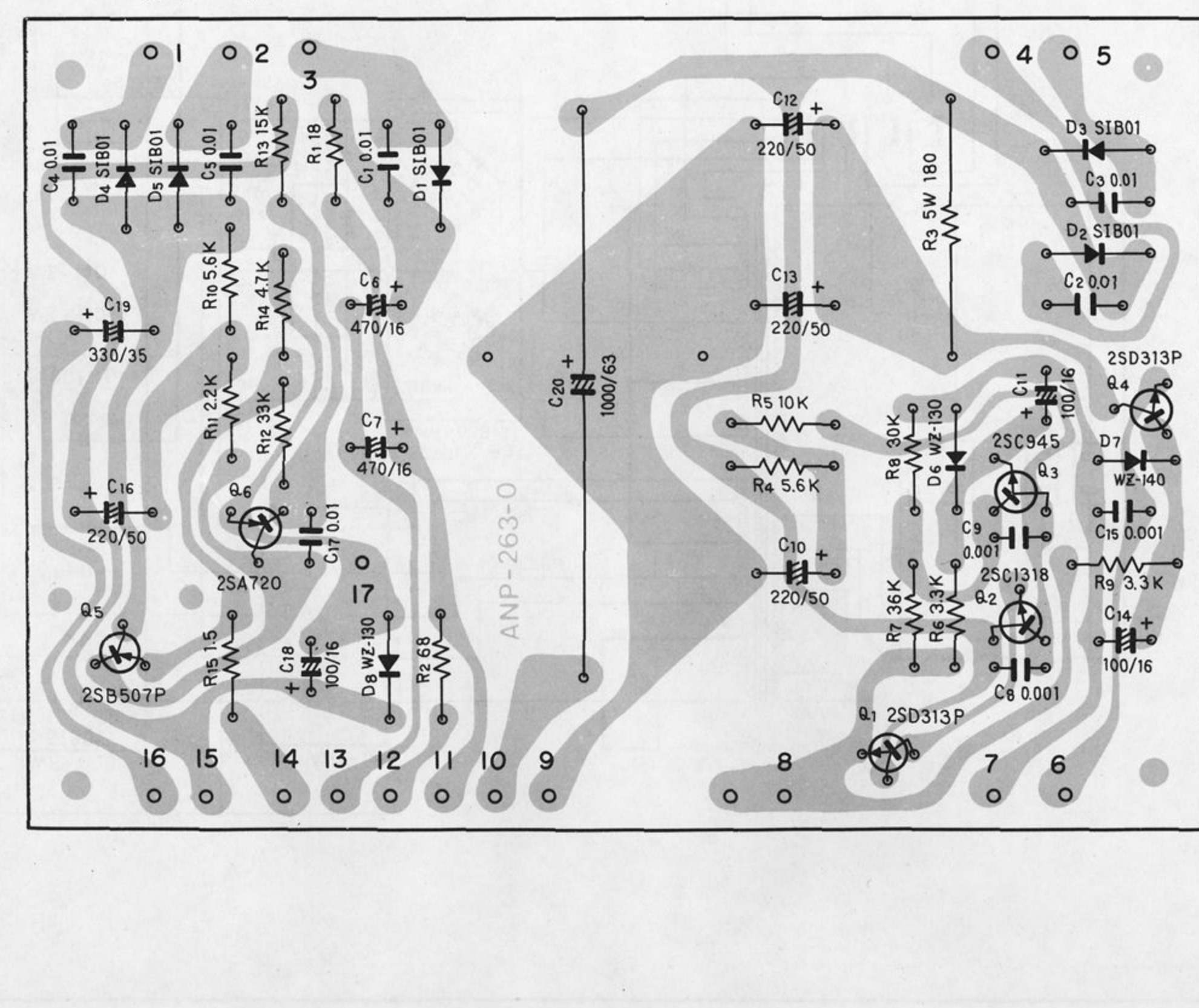
Switch ass'y AWS-048



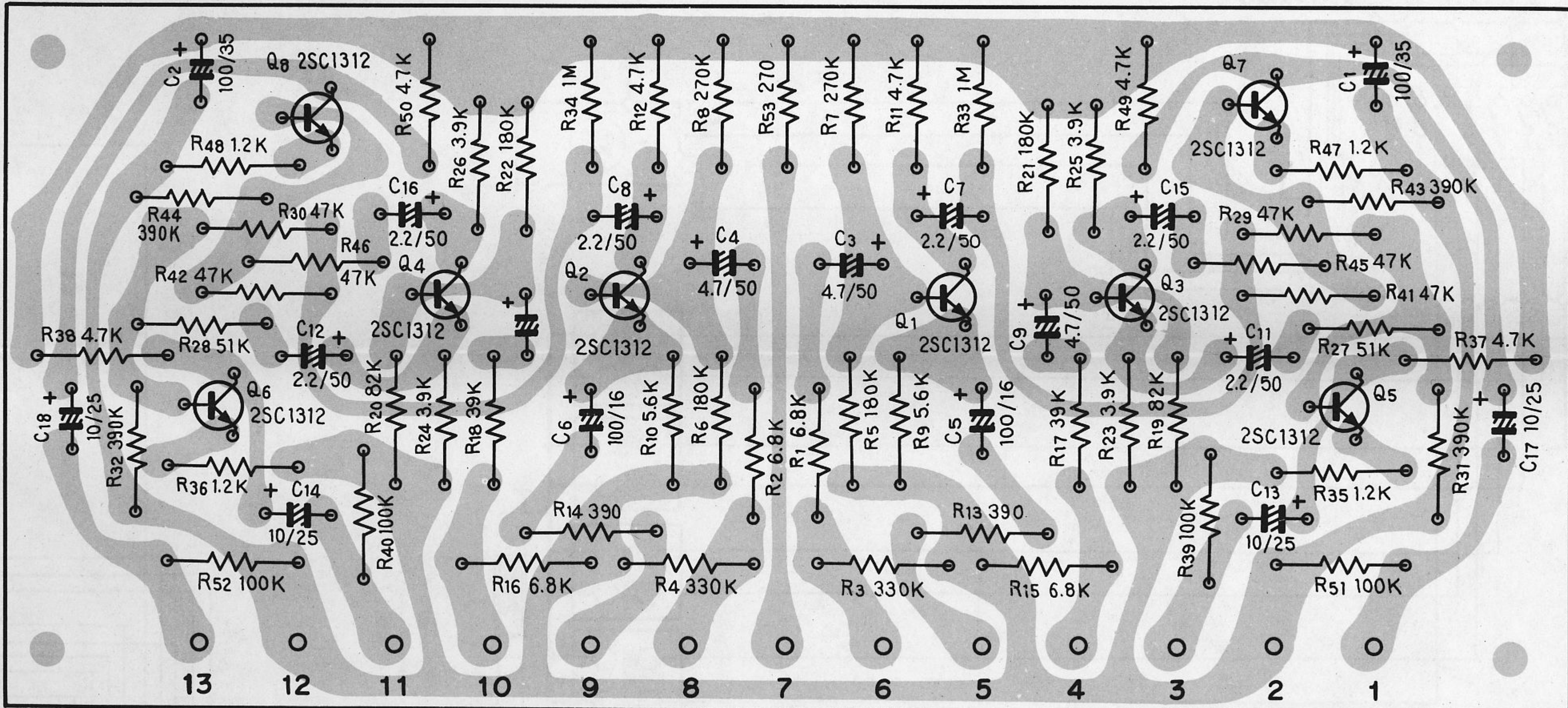
Sub channel circuit ass'y AWX-051



Power supply ass'y A AWR-038



Matrix ass'y AWM-048



Power supply ass'y B AWR-039

