

JA-R101

PIONEER®

The JA-R101 rack mount adaptor is designed to meet EIA standards. If you mount the adaptor onto Pioneer components listed in the table on the right, you will be able to install them into a rack designed to meet EIA standards (like the Pioneer JA-R1A and JA-R2S) with a four unit mounting pitch.

APPLICABLE MODEL

SA-8500	SA-8500II	SA-9500	SA-9500II
TX-8500	TX-8500II	TX-9500	TX-9500II
CT-F7070	CT-F8080	D-23	

FULLY ASSEMBLED FIGURE

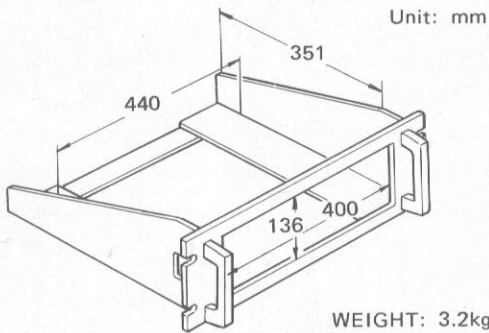


Fig. 1

LIST OF PARTS

Front panel	1	Handgrips	2
Side panel (L)	1	Reinforcement panel . . .	1
Side panel (R)	1	Panel braces (A)	2
Insulating sheets	4	Panel braces (B)	2

BAG FOR ASSEMBLY SCREWS

- Black mounting screws (M4 x 8) 16
- White screws for mounting handgrips (M3 x 8) 4
- Washers 4

BAG FOR RACK-MOUNTING SCREWS

- White mounting screws (M5 x 16) 4
- Angular washers 4
- Washers 4

ASSEMBLY FIGURE

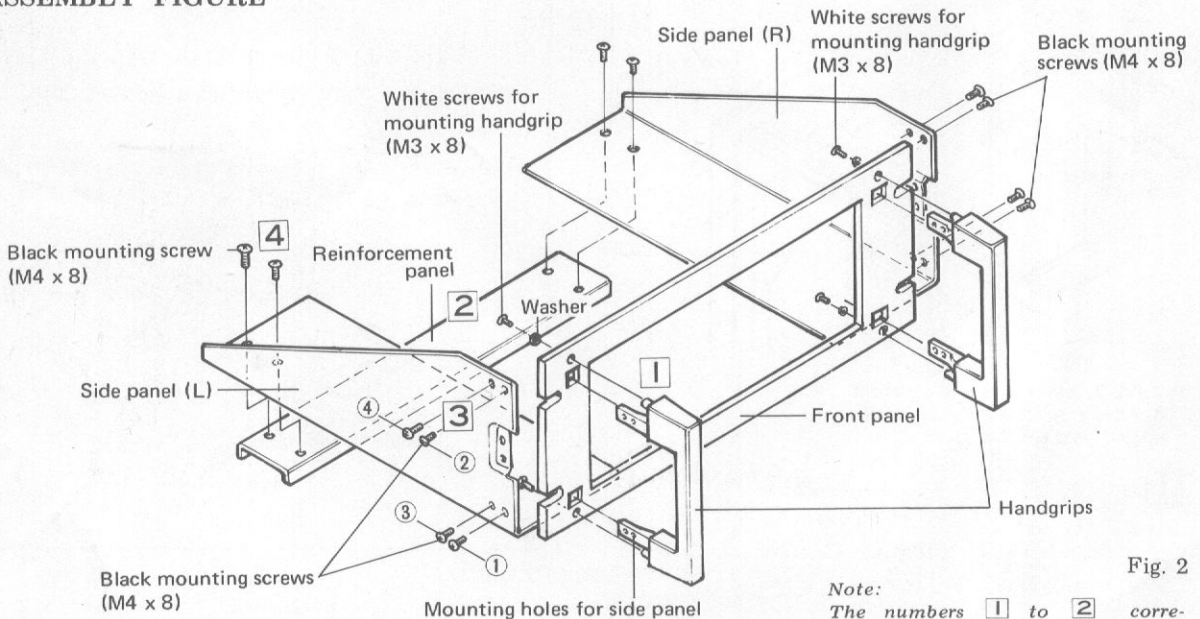


Fig. 2

Note:
The numbers 1 to 2 corresponding to the black mounting screws (M4 x 8) in the figure indicate the order of mounting.

ASSEMBLY PROCEDURE

- 1 Check which is the front (finished) side of the front panel and slot in the handgrips both left and right.
- 2 Using the four screws (M3 × 8) for mounting the handgrips and the four washers, secure the handgrips to the front panel from behind (Fig. 2).

- 3 Next, align the left (L) side panel with the side panels of the handgrips and, using the four mounting screws (M4 × 8), insert into the mounting holes on the handgrips' side panels and secure. Then secure the right (R) side panel in the same way.
- 4 Finally, align the reinforcement panel and fasten securely from the top of the side panels using the four mounting screws (M4 × 8).

MOUNTING THE COMPONENT

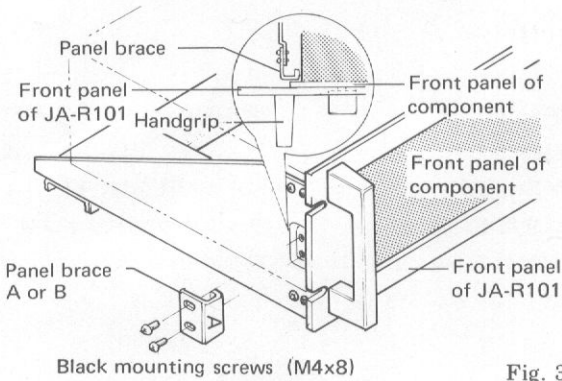
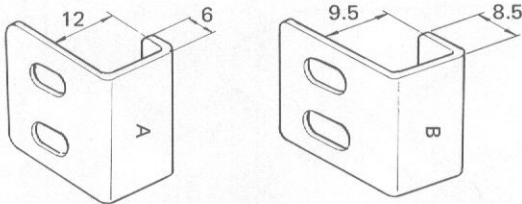


Fig. 3

- 1 Slide the component into the adaptor as shown in Fig. 3.
- 2 Make sure that the front panel of the JA-R101 adheres closely to the front panel of the components.
- 3 Tighten the panel braces (both A and B) with the four mounting screws (M4 × 8) and then secure the audio component from both sides.

PANEL BRACES

Unit: mm



For CT-F8080 Fig. 4

Use the brace marked A for the following components available from Pioneer: CT-F7070, SA-8500II, SA-9500II, TX-8500II, TX-9500II, D-23, etc.

Use the brace marked B for the Pioneer CT-F8080 only. You cannot use it for any other Pioneer components.

RACK MOUNTING

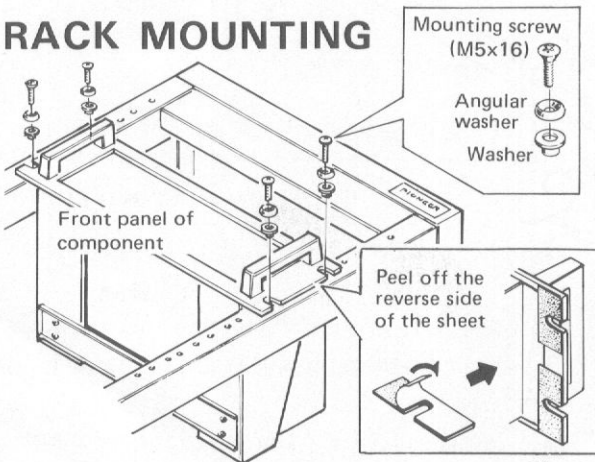


Fig. 5

- 1 As shown in Fig. 5, lay the rack (must meet EIA standards like the JA-R1A or the JA-R2S) down with the mounting face pointing upward.
- 2 Insert the components gently from a vertical position, and align them with the EIA standard mounting holes (mounting pitch: 4U).
- 3 Screw the components into place using the accessory screws (M5 × 16), angular washers and washers (four of each) and a Phillips screwdriver.

USING THE INSULATING SHEETS

These sheets are designed to insulate the set when it is incorporated into a metal rack. If they are adhered to the reverse side of the front panel, they can help reduce noise.

As shown in the Fig. 5, attach these sheets to the four mounting holes on the front panel.