

SPEAKER SYSTEMS

HPM-100

<ART-168-0>

Service Manual

ART-168
S/M HPM-100

10224944

SM0710

1

INV: 31519829

MP: 0108B-13



 **PIONEER**[®]

SPECIFICATIONS

Enclosure Book-shelf style, Bass-reflex type
 System 4-speaker, 4-way system

Loudspeakers:

Woofer . . .30cm (12 in) cone type, carbonfiber cone
 Mid-range 10cm (4 in) cone type
 Tweeter 4.5cm (1-3/4 in) cone type
 Super tweeter High-polymer type

Nominal Impedance 8Ω

Frequency Range 30 – 25,000Hz

Sensitivity 92.5 dB/W at 1m distance

Maximum Input Power 100W

Rated Input Power 50W

Crossover Frequency . . . 3,000Hz, 4,000Hz, 12,000Hz

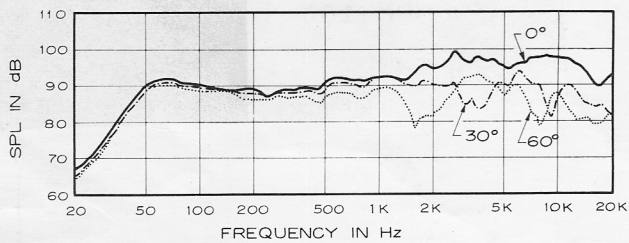
External Dimensions . . . 390(W) x 670(H) x 393(D)mm
 15-3/8(W) x 26-6/16(H) x 15-15/32(D)in

Weight 26.7kg/58 lb 12 oz

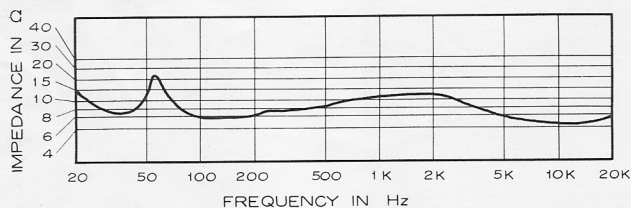
NOTE:

Specifications and design subject to possible modification without notice, due to improvements.

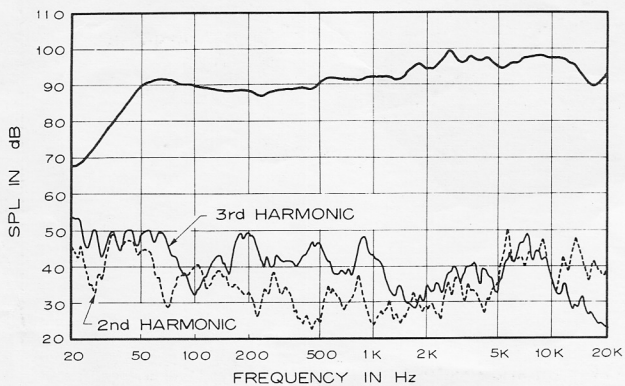
FREQUENCY RESPONSE



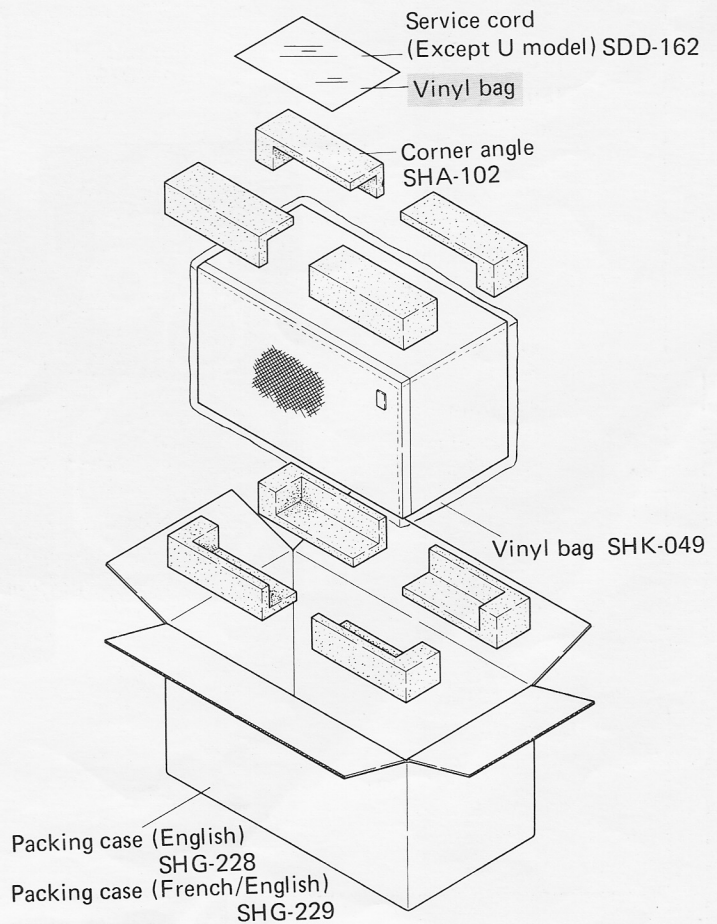
IMPEDANCE



HARMONIC DISTORTION


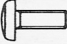
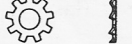


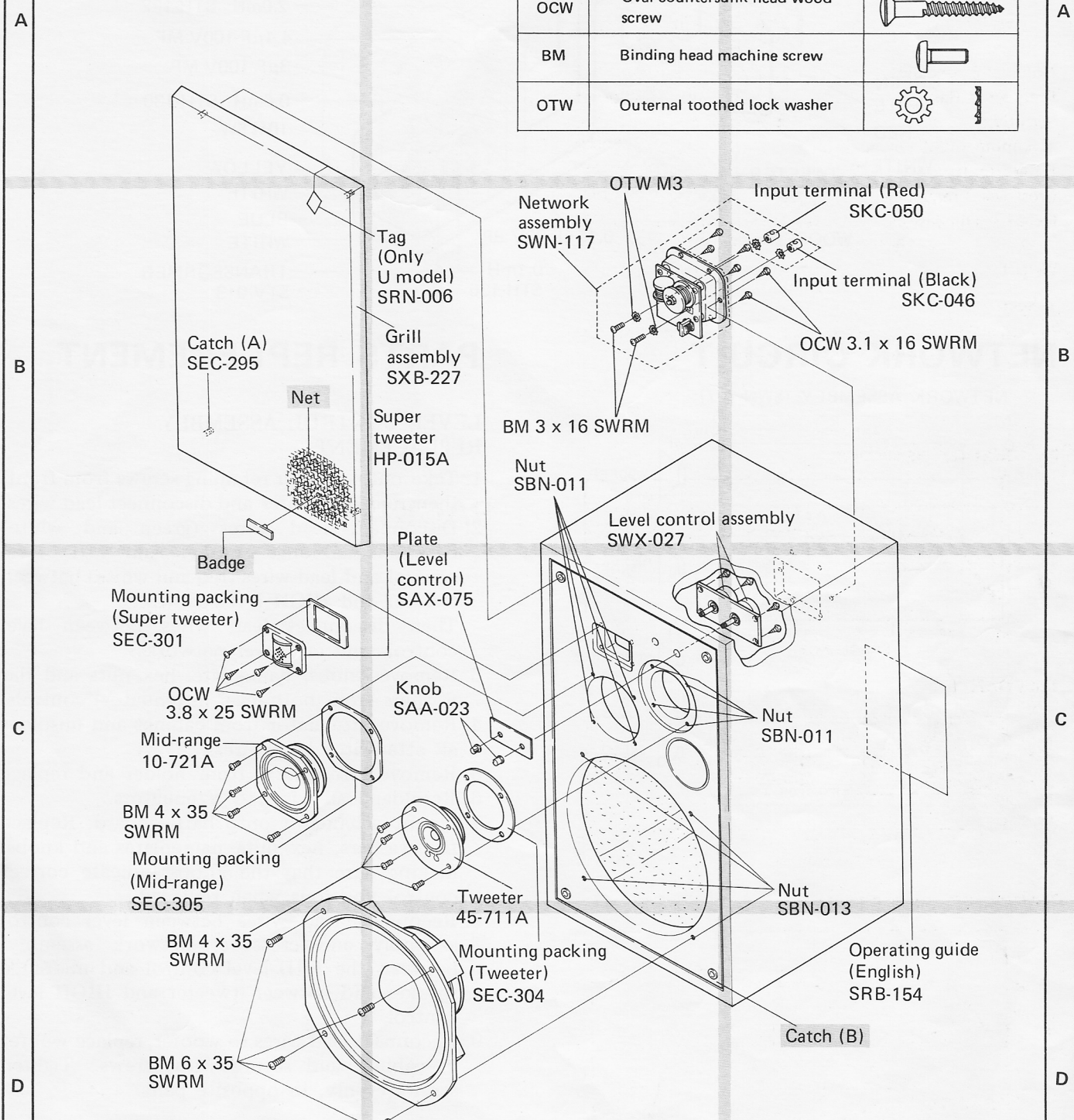
PACKING



EXPLODED VIEW AND PARTS

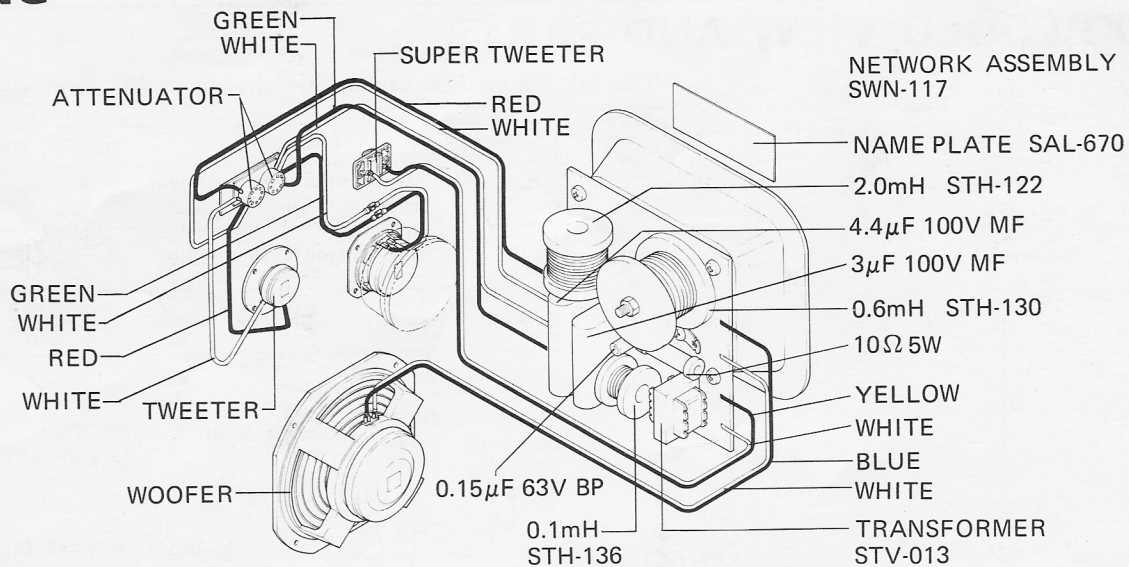
The table specifies the screws shown in the exploded view.

Symbol	Description	Shape
OCW	Oval countersunk head wood screw	
BM	Binding head machine screw	
OTW	Outernal toothed lock washer	

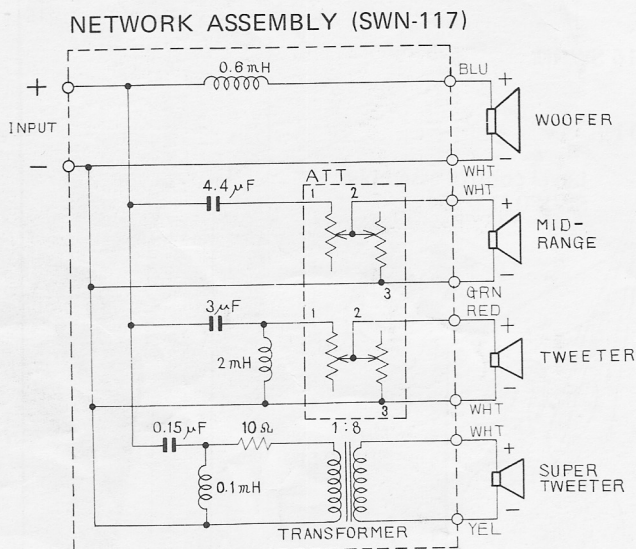


NOTE: Shaded names mean parts cannot be supplied.

WIRING



NETWORK CIRCUIT



PARTS REPLACEMENT

LEVEL CONTROL ASSEMBLY REPLACEMENT

1. Take out 4 woofer retaining screws from front, then remove woofer and disconnect lead wires.
2. Disconnect lead wires (green and white) between mid-range speaker and MID level control and lead wires (red and white) between tweeter and HIGH level control. Then disconnect lead wires between level controls and crossover networks.
3. Remove knobs, nameplate, hex nuts and flat washers from both level (attenuator) controls.
4. Remove attenuator from cabinet and unsolder all attenuator lead wires.
5. Remove attenuators from holder and replace.
6. Resolder lead wires to attenuators.
7. Mount attenuator onto baffle board. Replace flat washers, hex nuts, nameplates and knobs, making sure that the knobs indicate correct control positions when replaced.
8. Reconnect lead wires between level control assembly and crossover network assembly, between the MID level control and midrange speaker and between tweeter and HIGH level control.
9. Reconnect lead wires to woofer, replace woofer in cabinet and secure with screws. Tighten screws evenly, in opposite pairs.

PIONEER ELECTRONIC CORPORATION 4-1, Meguro 1-Chome, Meguro-ku, Tokyo 153, Japan
U.S. PIONEER ELECTRONICS CORPORATION 75 Oxford Drive, Moonachie, New Jersey 07074, U.S.A.
PIONEER ELECTRONIC (EUROPE) N.V. Luithagensteenweg no.9, 2030 Antwerp, Belgium
PIONEER ELECTRONICS AUSTRALIA PTY. LTD. 178-184 Boundary Road, Braeside, Victoria 3195, Australia