

ADDITIONAL



Service Manual

ORDER NO.
ART-588-0

NON SWITCHING AMP
STEREO AMPLIFIER

A-9 S S/G

The basic performance of the S/G type (U.S. Military model) and S type (General export model) is the same as the HE type (European continent model). This additional service manual is applicable to the S/G and S types, please refer to the HE type service manual (ART-590) with the exception of this supplements.

SPECIFICATIONS

The specifications for S/G and S types are the same as the HE type except for following sections;

Miscellaneous

Power Requirements 110/120/220/240V(Switchable), 50/60Hz
Power Consumption 300W

Furnished Parts

Fuse(10A) x 1
Fuse(5A) x 1

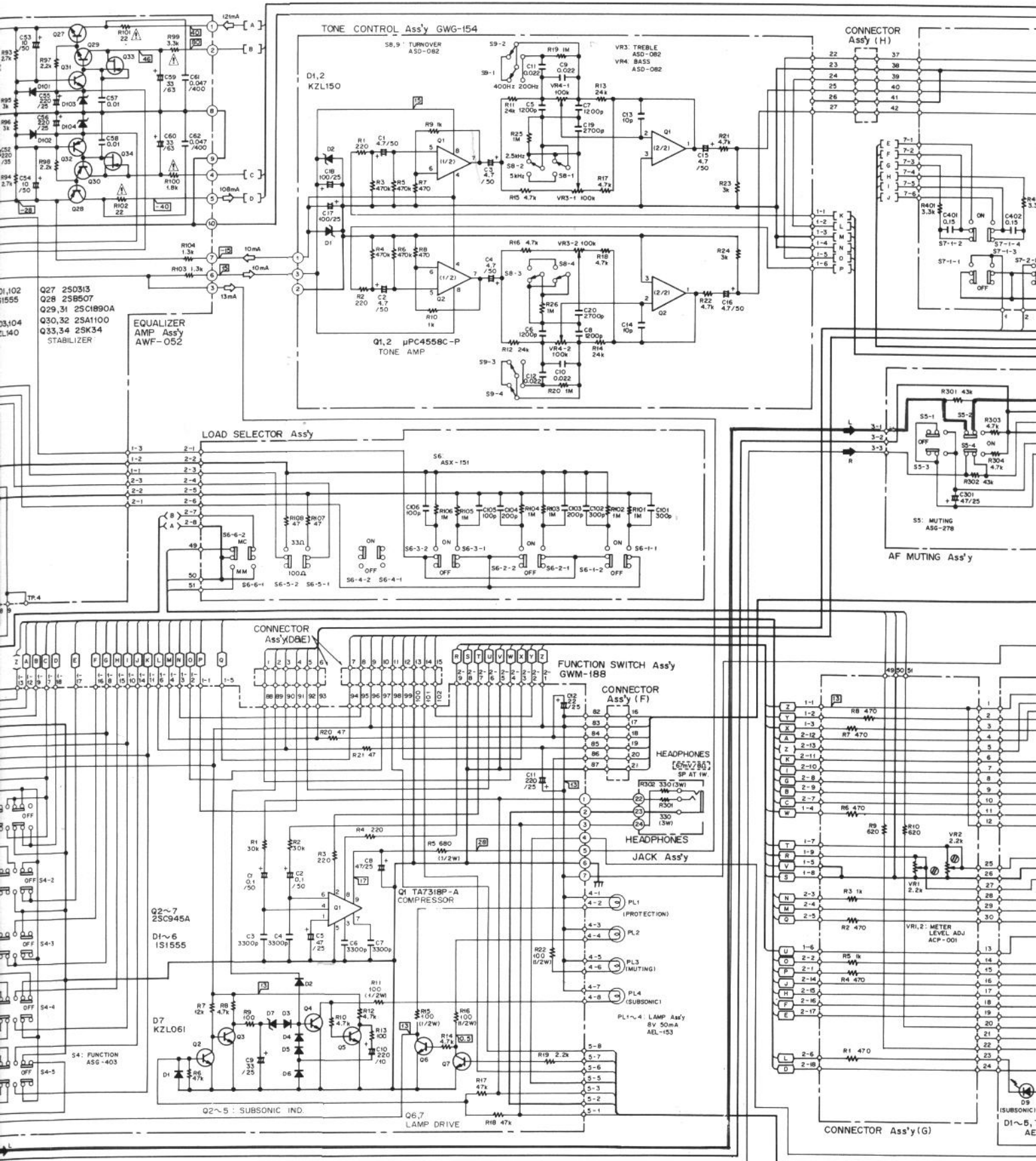
MISCELLANEOUS PARTS

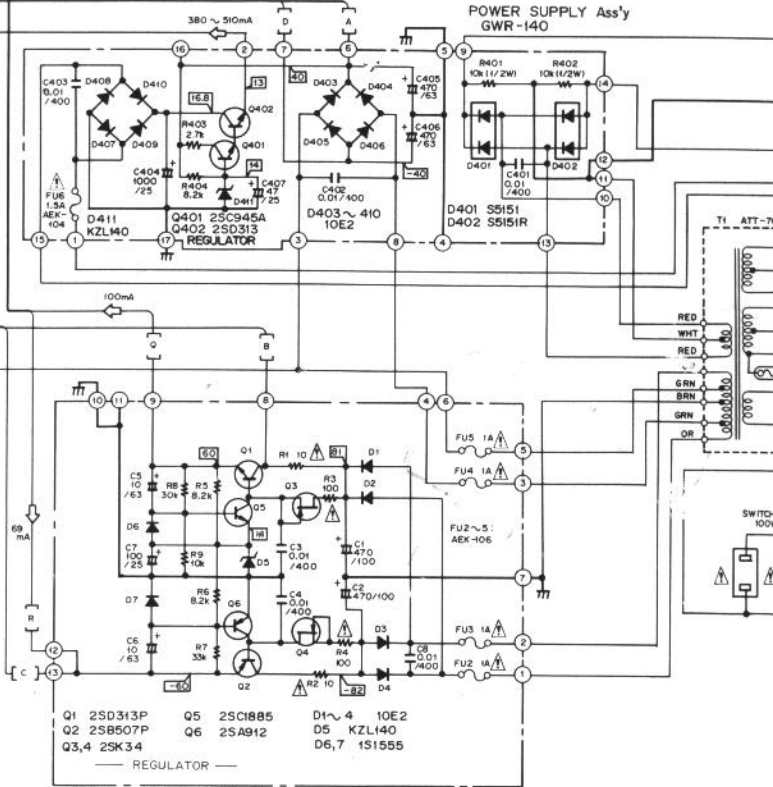
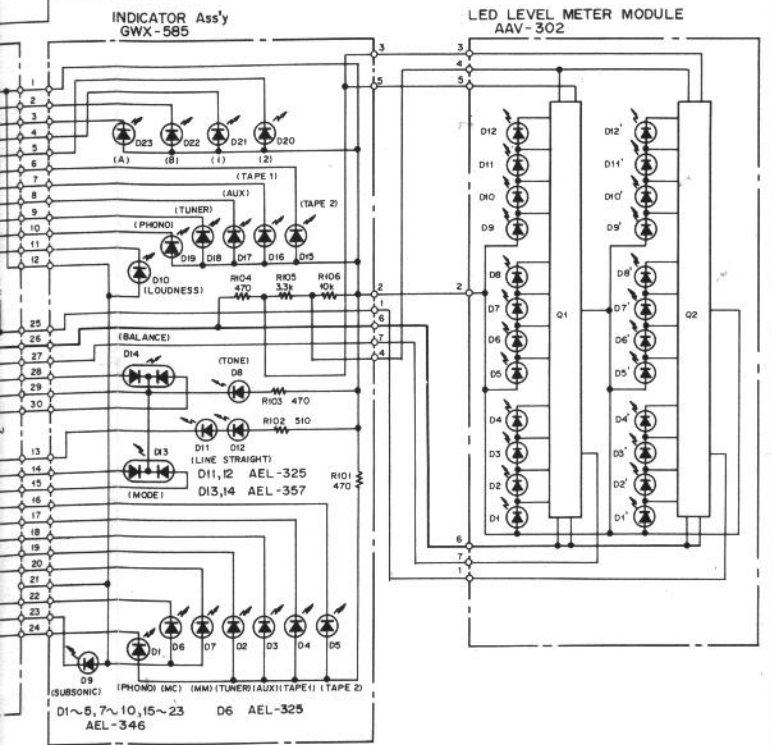
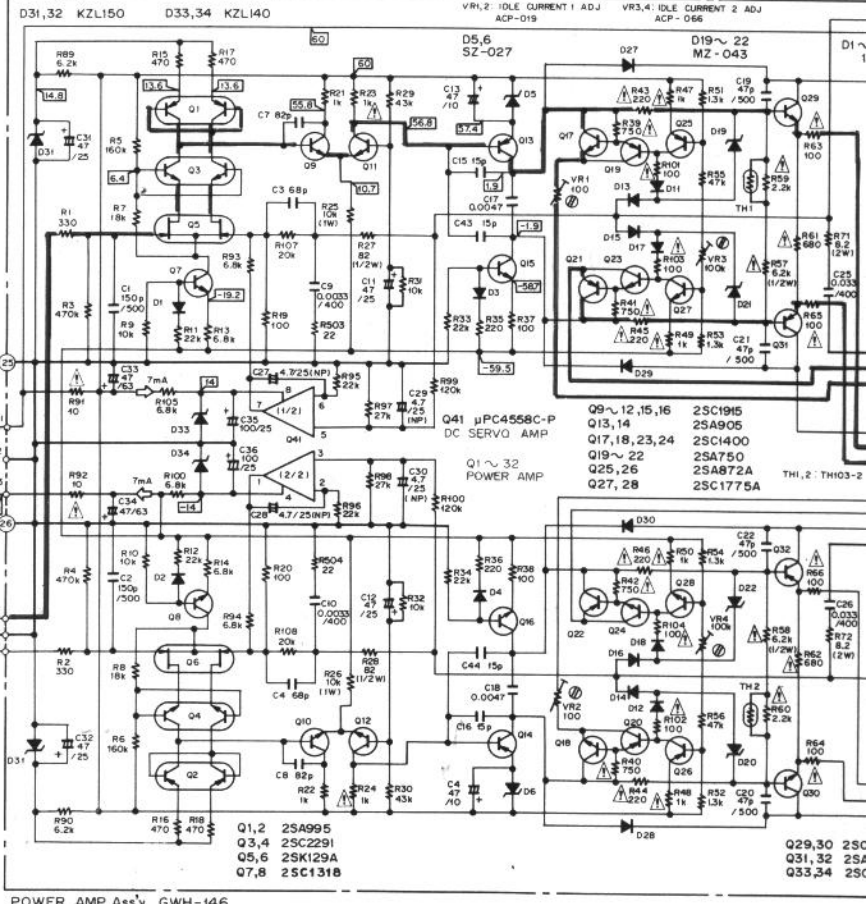
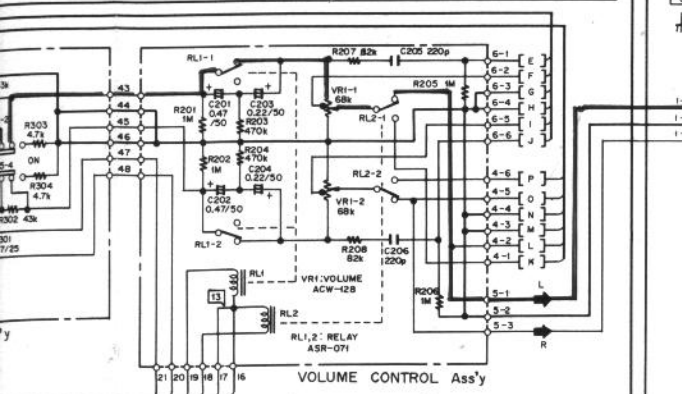
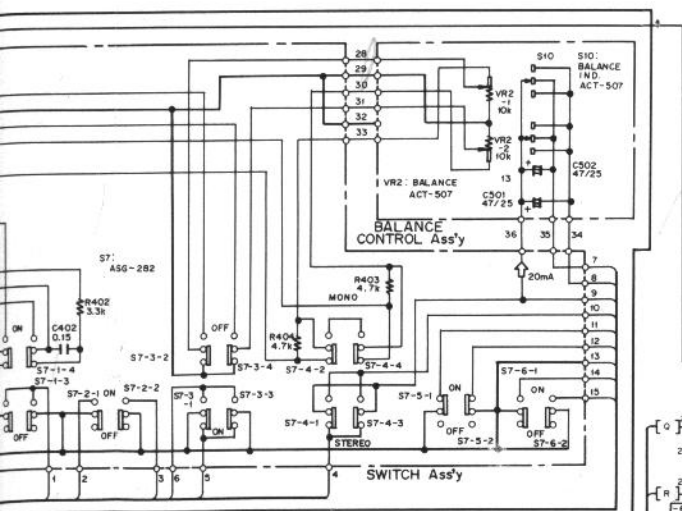
NOTES:

- Parts without part number cannot be supplied.
- The Δ mark found on some component parts indicates the importance of the safety factor of the part. Therefore, when replacing, be sure to use parts of identical designation.
- For your Parts Stock Control, the fast moving items are indicated with the marks **★★** and **★**.
★★ *GENERALLY MOVES FASTER THAN ★.*
This classification shall be adjusted by each distributor because it depends on model number, temperature, humidity, etc.

The parts for S/G and S types are the same as the HE type except for following sections;

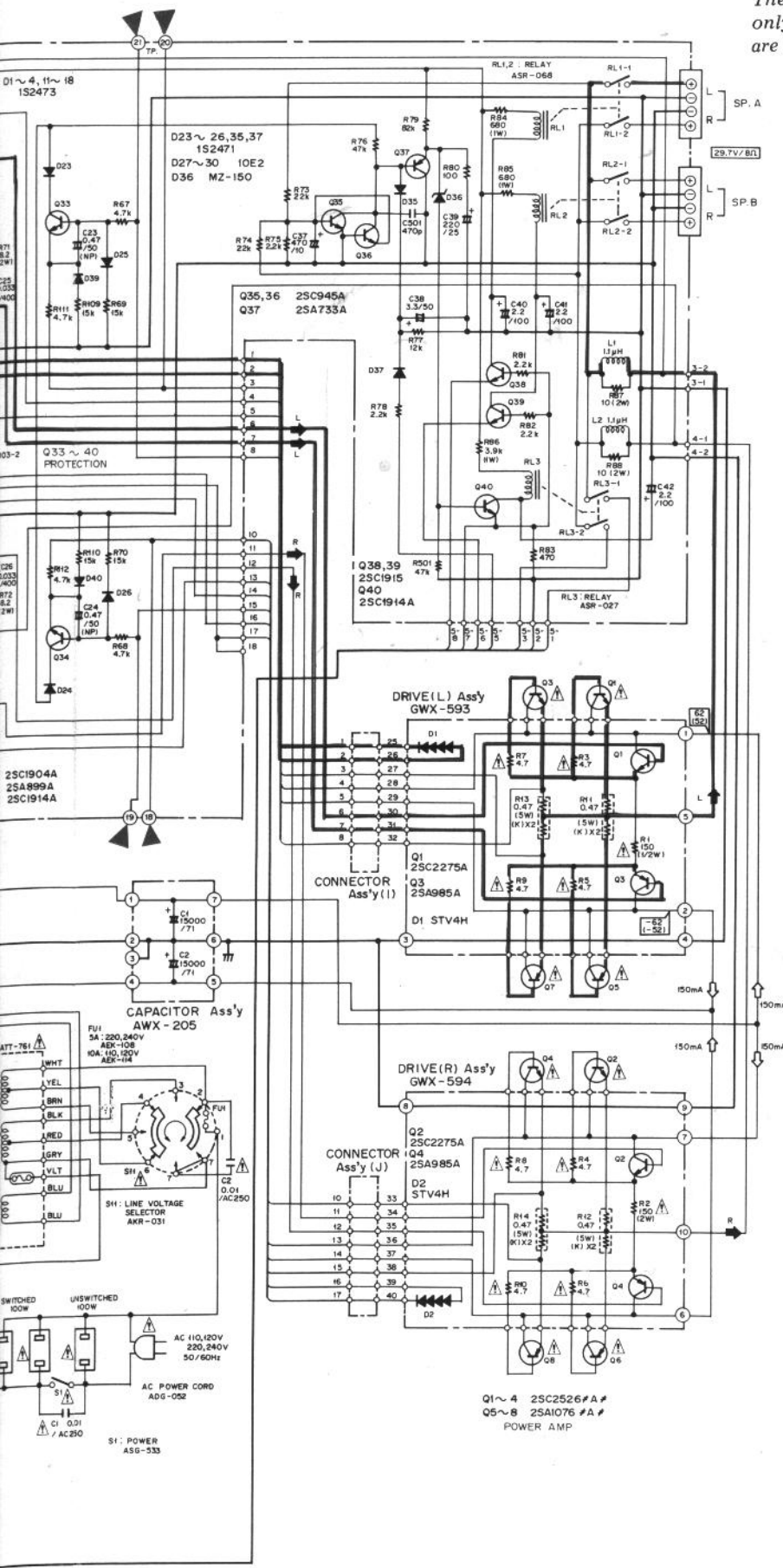
Mark	Symbol & Description	Part No.			Remarks
		HE type	S type	S/G type	
Δ ★	T1 Power transformer	ATT-762	ATT-761	ATT-761	220/240V 110/120V
Δ ★★	FU1 Fuse (5A)	AEK-015	AEK-108	(AEK-108)	
Δ ★★	FU1 Fuse (10A)	(AEK-114)	AEK-114	
Δ ★★	FU2-FU5 Fuse (1A)	AEK-402	AEK-106	AEK-106	
Δ ★★	FU6 Fuse (1.6A)	AEK-405	
Δ ★★	FU6 Fuse (1.5A)	AEK-104	AEK-104	





NOTE:

The indicated semiconductors are representative ones only. Other alternative semiconductors may be used and are listed in the parts list.



1. RESISTORS:
Indicated in Ω, %W, +5% tolerance unless otherwise noted k : kΩ, M : MΩ, (F) : -1%, (G) : ±2%, (K) : ±10%, (M) : ±20% tolerance
 2. CAPACITORS:
Indicated in capacity (μF)/voltage (V) unless otherwise noted p : pF
Indication without voltage is 50V except electrolytic capacitor.
 3. VOLTAGE, CURRENT:
Signal voltage at 110 W + 110 W B1; output (1kHz)
DC voltage (V) at no input signal
Value in / is DC voltage at rated power.
mA : DC current at no input signal
 4. OTHERS:
→ Signal route.
⊗ : Adjusting point.
▲ : The ▲ mark found on some component parts indicates the importance of the safety factor of the part. Therefore, when replacing, be sure to use parts of identical designation.
- SWITCHES:
- S1 : POWER ON - OFF
 - S2 : PHONO (SIGNAL) MC - MM
 - S3 : REC. OUT SELECTOR 2-1-1-2 - SOURCE - PHONO - TUNER - AUX
 - S4-1 : FUNCTION (PHONO) ON - OFF
 - S4-2 : FUNCTION (TUNER) ON - OFF
 - S4-3 : FUNCTION (AUX) ON - OFF
 - S4-4 : FUNCTION (TAPE 1) ON - OFF
 - S4-5 : FUNCTION (TAPE 2) ON - OFF
 - S5 : MUTING (-20dB) ON - OFF
 - S6-1 : MM LOAD (400p) ON - OFF
 - S6-2 : MM LOAD (300p) ON - OFF
 - S6-3 : MM LOAD (200p) ON - OFF
 - S6-4 : MM LOAD (100p) ON - OFF
 - S6-5 : MC LOAD 100Ω - 33Ω
 - S6-6 : PHONO (IND) MC - MM
 - S7-1 : LOUDNESS ON - OFF
 - S7-2 : SUBSONIC FILTER (15Hz) ON - OFF
 - S7-3 : LINE STRAIGHT ON - OFF
 - S7-4 : MODE STEREO - MONO
 - S7-5 : SPEAKERS (A) ON - OFF
 - S7-6 : SPEAKERS (B) ON - OFF
 - S8 : TURNOVER (TREBLE) 2.5kHz - 5kHz
 - S9 : TURNOVER (BASS) 400Hz - 200Hz
 - S10 : BALANCE (IND) ON - OFF
 - S11 : LINE VOLTAGE SELECTOR 110V - 120V - 220V - 240V
- The underlined indicates the switch position.

A
B
C
D