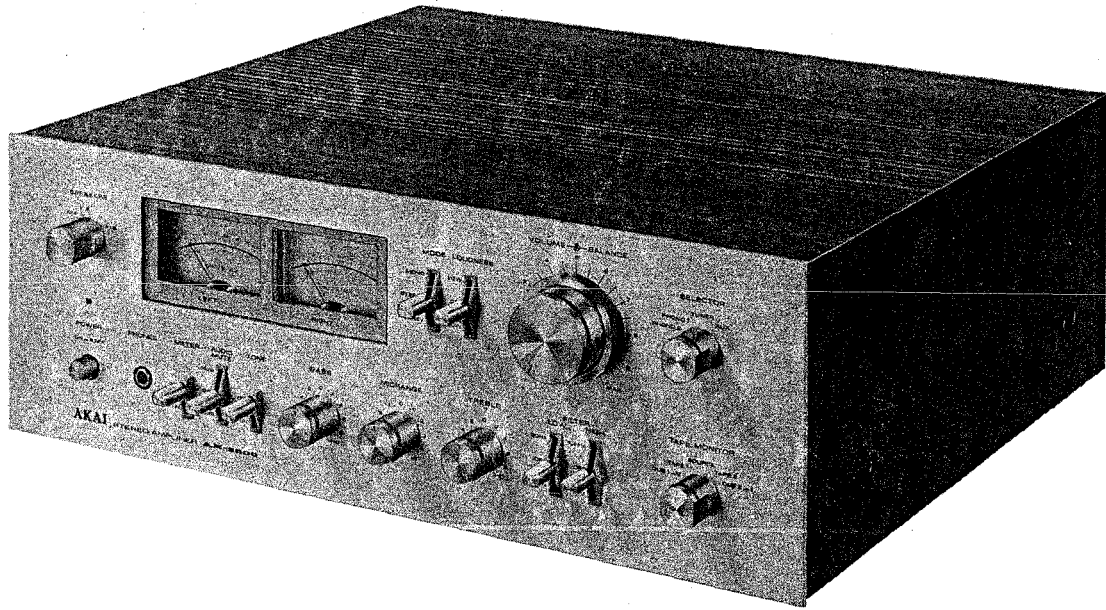


SERVICE MANUAL

PARTS LIST

MODEL AM-2800

AKAI



AKAI STEREO INTEGRATED AMPLIFIER

MODEL **AM-2800**

SECTION 1	SERVICE MANUAL	1
SECTION 2	PARTS LIST	17
SECTION 3	SCHEMATIC DIAGRAM	27

SECTION 1

SERVICE MANUAL

TABLE OF CONTENTS

I. TECHNICAL DATA	2
II. DISMANTLING OF UNIT	3
III. CONTROLS	4
IV. PRINCIPAL PARTS LOCATION	5
V. LEVEL DIAGRAM	6
VI. MAIN AMPLIFIER ADJUSTMENT	7
1. IDLING CURRENT ADJUSTMENT	7
2. LEVEL METER ADJUSTMENT	7
VII. CLASSIFICATION OF VARIOUS P.C BOARDS	8
1. RELATION OF P.C BOARD TITLE AND IDENTIFICATION NUMBER . . .	8
2. COMPOSITION OF VARIOUS P.C BOARDS	9

For basic adjustments, measuring methods, and operating principles, refer to GENERAL OPERATING PRINCIPLES AND ADJUSTMENTS.

I. TECHNICAL DATA

POWER AMPLIFIER SECTION

CONTINUOUS POWER OUTPUT		80 watts per channel, minimum RMS, at 8 ohms from 20 to 20,000 Hz with no more than 0.08% total harmonic distortion.
POWER BANDWIDTH (IHF)		7 Hz to 40 kHz/8 ohms (Total Harmonic Distortion: 0.08%)
SIGNAL TO NOISE RATIO (IHF)	PHONO	Better than 75 dB
	AUX	Better than 95 dB
RESIDUAL NOISE		Less than 0.5 mV at 8 ohms
CHANNEL SEPARATION (IHF)	PHONO	Better than 55 dB at 1,000 Hz
DAMPING FACTOR		More than 60 (1 kHz, 8 ohms)
OUTPUT	SPEAKERS	A, B (4 to 16 ohms) / A + B (8 to 16 ohms)
	HEADPHONE	4 to 16 ohms
POWER INDICATOR METERS		(2) 3/100W switchable

PREAMPLIFIER SECTION

INPUT SENSITIVITY/IMPEDANCE	PHONO	Phono 2: 3 mV/33, 47 or 100 k ohms Phono 1: 3 mV/50 k ohms
	AUX	150 mV/100 k ohms
	TUNER	150 mV/100 k ohms
	TAPE MONITOR	PIN: 150 mV/100 k ohms DIN: 150 mV/100 k ohms
OUTPUT LEVEL/IMPEDANCE	TAPE REC	PIN: 150 mV/100 k ohms DIN: 30 mV/180 k ohms
FREQUENCY RESPONSE		
	PHONO (RIAA EQUALIZATION)	30 Hz to 15 kHz +0.5 dB, -0.5 dB
	TUNER, AUX, TAPE MONITOR	7 Hz to 70 kHz +0 dB, -1 dB
TONE CONTROL	BASS	±9 dB at 100 Hz
	MIDRANGE	±6 dB at 1 kHz
	TREBLE	±9 dB at 10 kHz
LOUDNESS CONTROL		+10 dB at 100 Hz, +6 dB at 10 kHz (Volume control set at -30 dB position)
FILTER	HIGH	-5 dB at 10 kHz (7 kHz position), -3 dB at 10 kHz (10 kHz position)
	LOW	-2 dB at 50 Hz (30 Hz position), -6 dB at 50 Hz (60 Hz position)

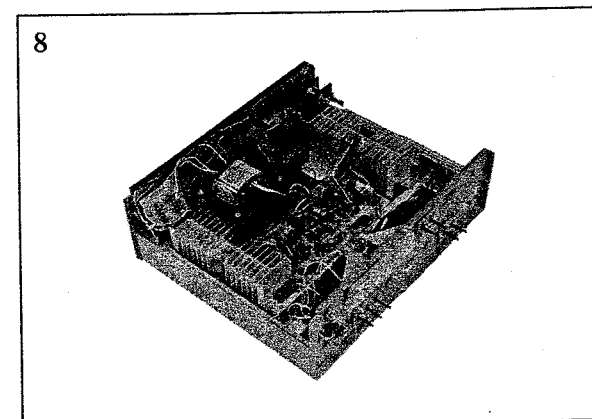
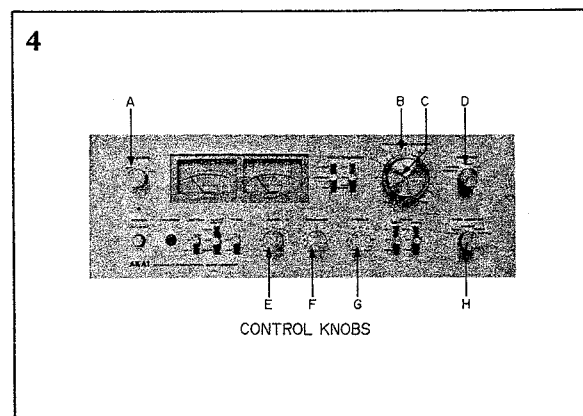
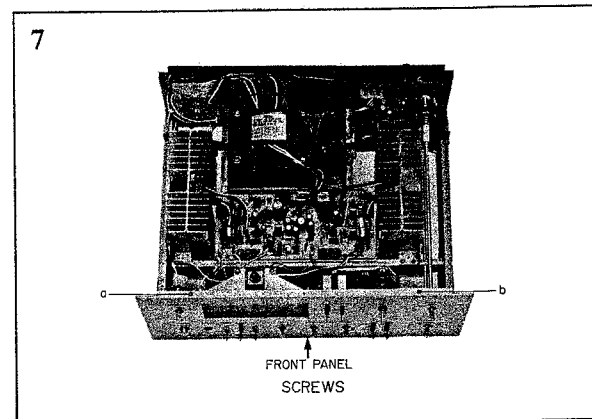
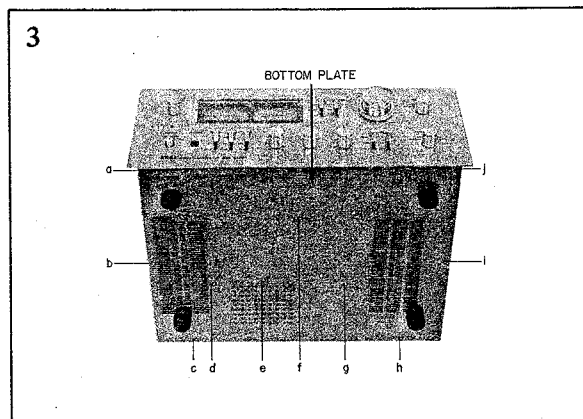
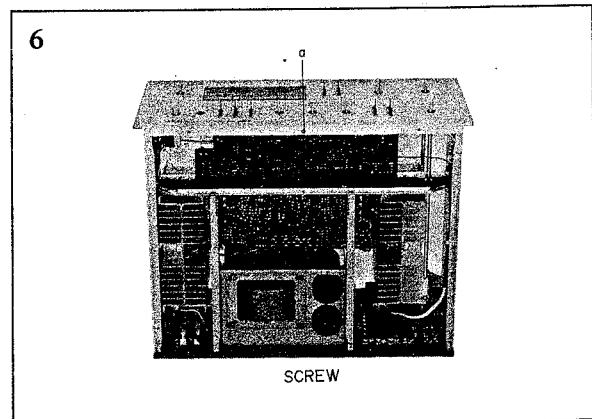
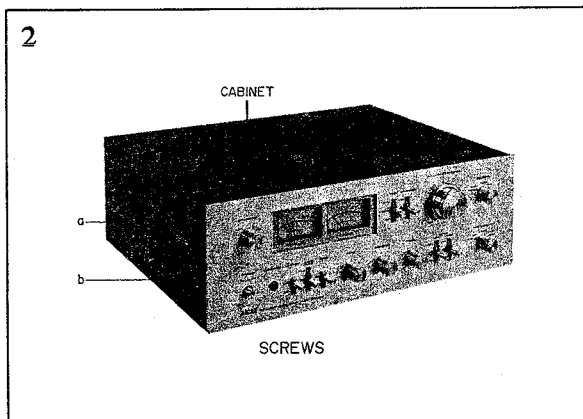
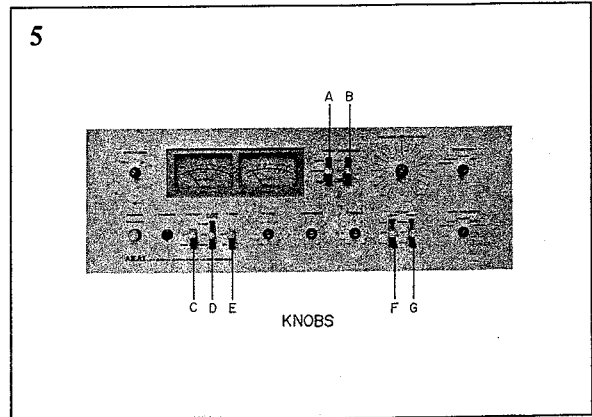
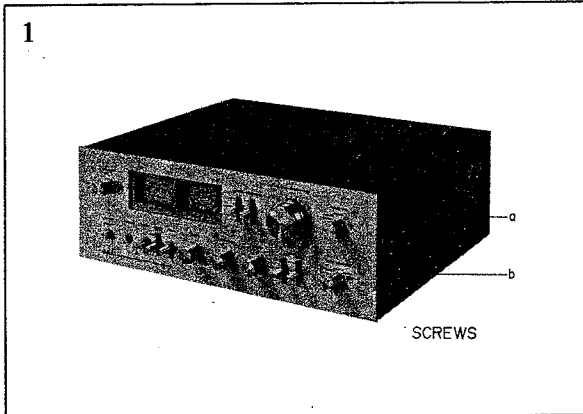
MISCELLANEOUS

SEMI CONDUCTORS		Transistors: 37, Diodes: 17
POWER REQUIREMENTS		CSA, UL and LA models: 120V, 60 Hz CEE models: 220V, 50 Hz Other models: 110/220/240V Switchable 50/60 Hz
DIMENSIONS		440(W) x 165(H) x 396(D) mm, (17.3 x 6.5 x 16.6 inches)
WEIGHT		12.9 kg (28.9 lbs)

* For improvement purposes, specifications and design are subject to change without notice.

II. DISMANTLING OF UNIT

In case of trouble, etc. necessitating disassembly, please disassemble in the order shown in photographs. Reassemble in reverse order.



III. CONTROLS

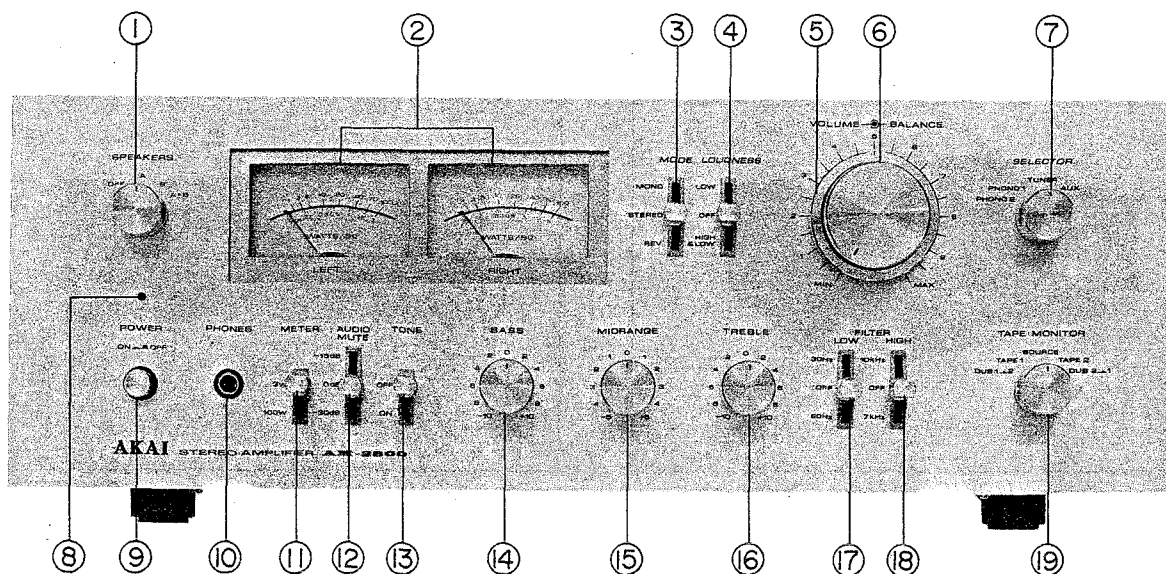


Fig. 1 Controls

- | | |
|---|---------------------------|
| 1. SPEAKER SYSTEM SELECTOR | 11. METER SWITCH |
| 2. OUTPUT POWER LEVEL METERS (LEFT & RIGHT) | 12. AUDIO MUTE SWITCH |
| 3. MODE SWITCH | 13. TONE SWITCH |
| 4. LOUDNESS SWITCH | 14. BASS TONE CONTROL |
| 5. STEREO BALANCE CONTROL | 15. MIDRANGE TONE CONTROL |
| 6. VOLUME CONTROL | 16. TREBLE TONE CONTROL |
| 7. INPUT SELECTOR | 17. LOW FILTER SWITCH |
| 8. POWER INDICATOR LAMP | 18. HIGH FILTER SWITCH |
| 9. POWER SWITCH | 19. TAPE MONITOR SWITCH |
| 10. HEADPHONE JACK | |

IV. PRINCIPAL PARTS LOCATION

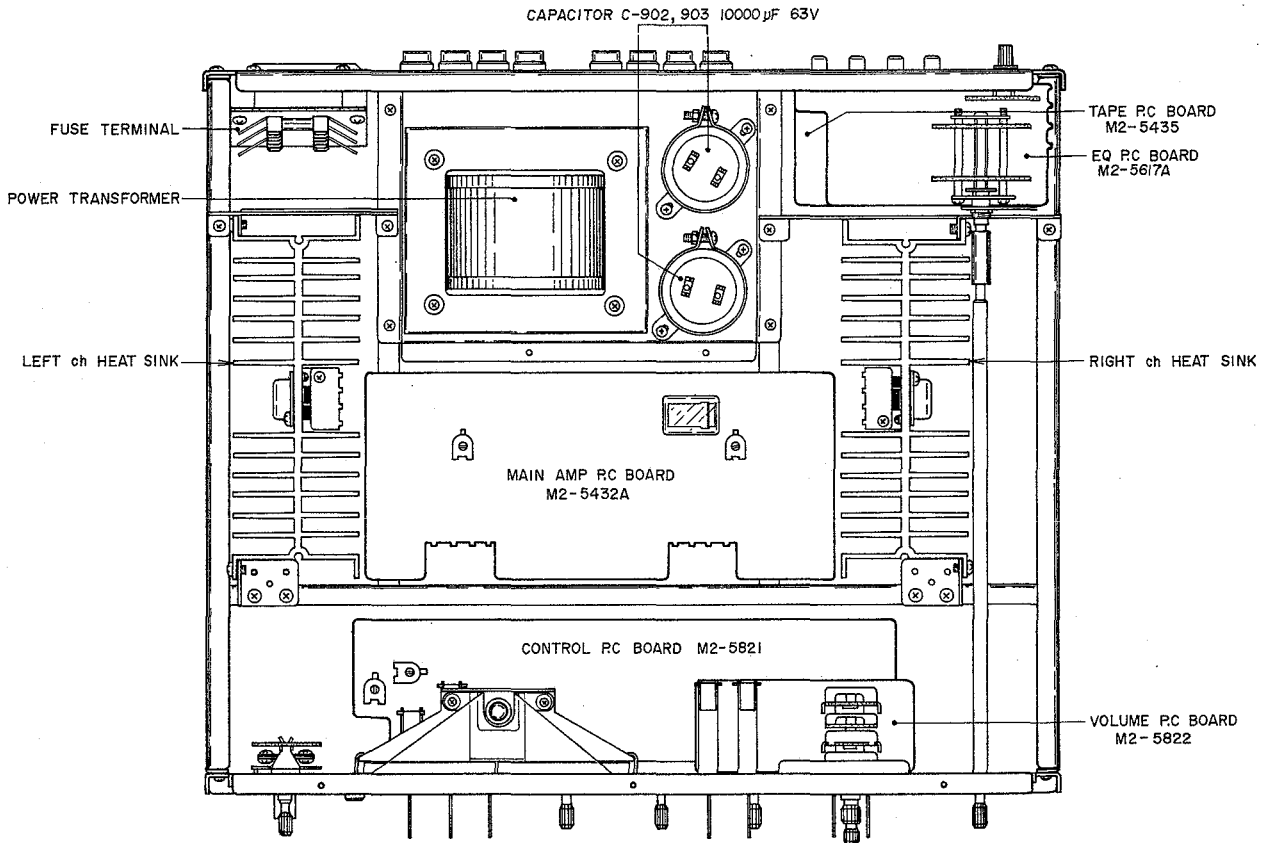


Fig. 2 Top View

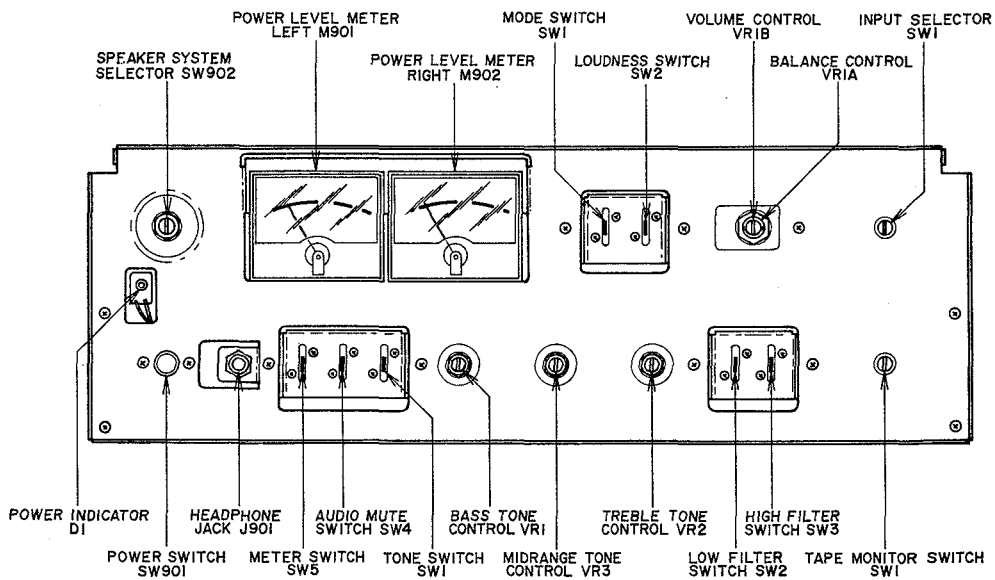


Fig. 3 Front View

V. LEVEL DIAGRAM

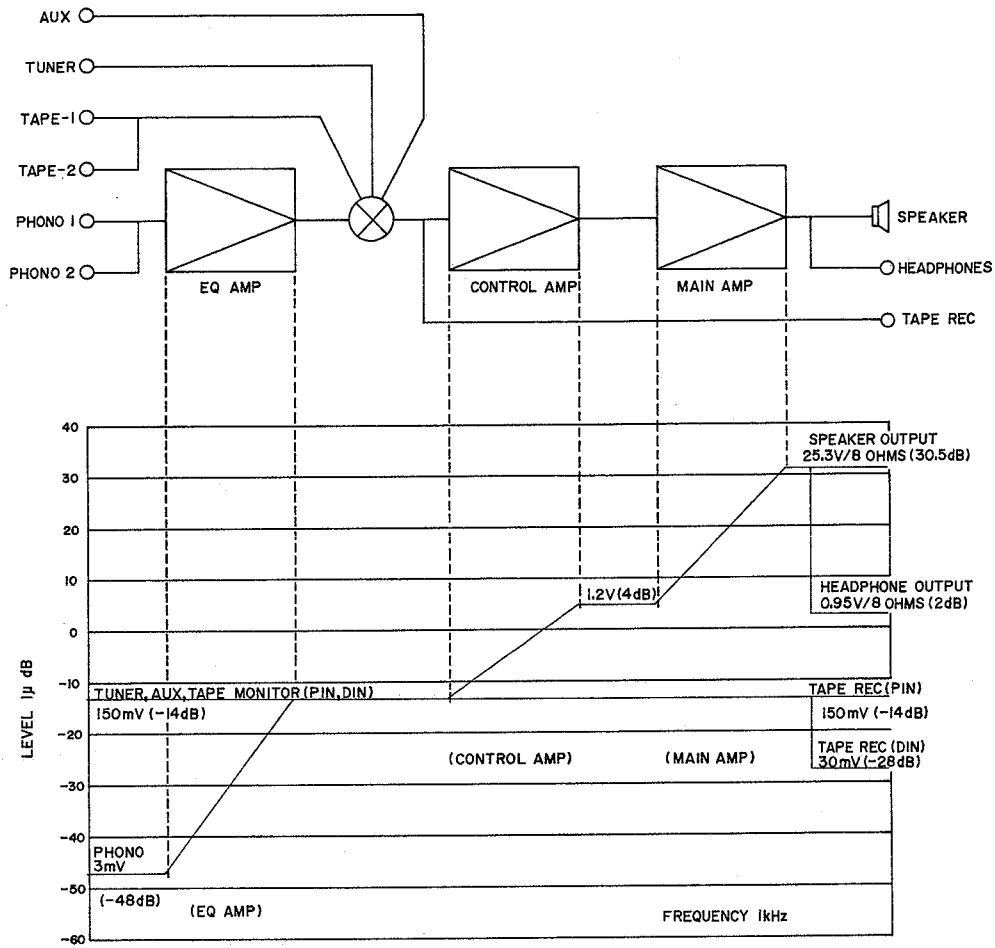


Fig. 4 Level Diagram of Model AM-2800

VI. MAIN AMPLIFIER ADJUSTMENT

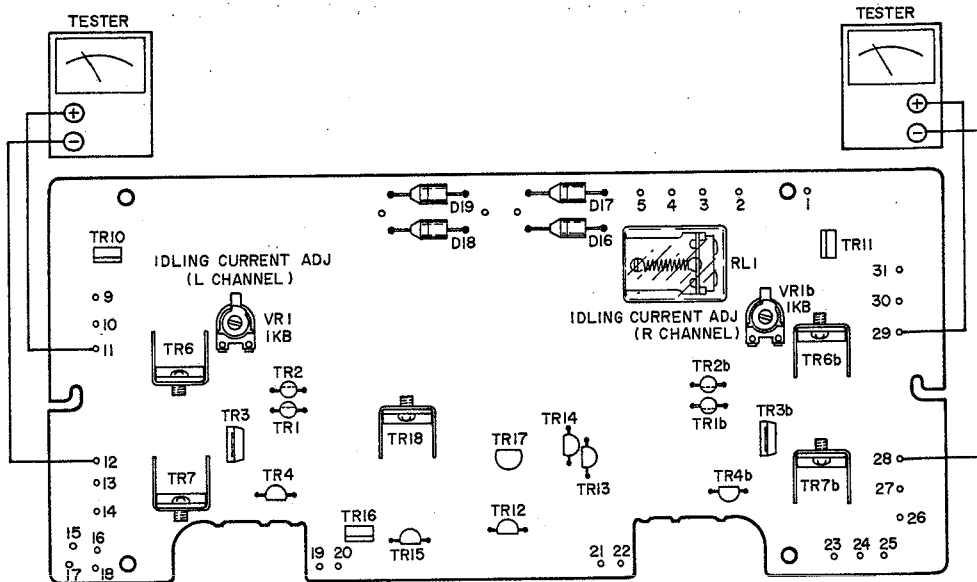


Fig. 5 Main Amp. P.C Board M2-5432A

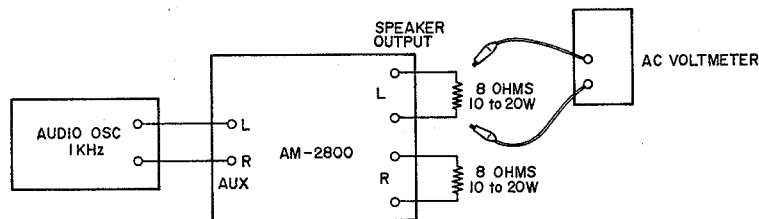


Fig. 6 Level Meter Adjustment

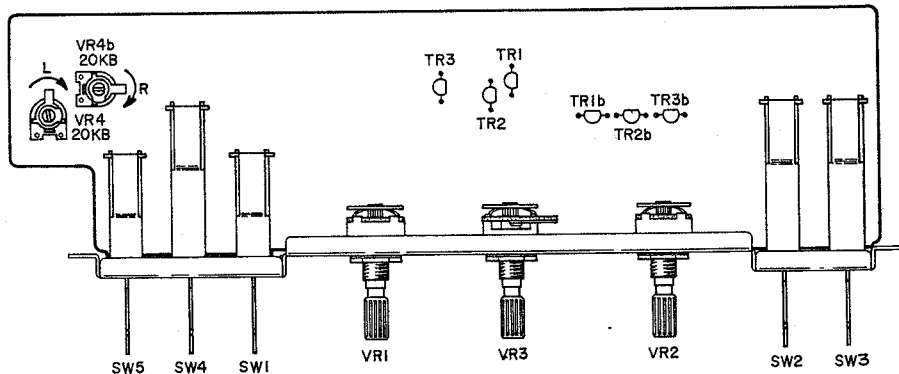


Fig. 7 Tone Control P.C Board M2-5821

1. IDLING CURRENT ADJUSTMENT

Connect a tester to Power Amp P.C Board test point between Pin-11 and Pin-12, and between Pin-29 and Pin-28.

Adjust semifixed resistors VR-1a, VR-1b until the voltage is 30 mV.

2. LEVEL METER ADJUSTMENT

- 1) Connect instruments as shown in Fig. 6.
- 2) Turn Volume Control knob on the front panel until the AC Voltmeter indicates 4.9 volts (3 watts).
- 3) Adjust VR-4, VR-4b so that level meter indicates 3 watts. (Refer to Fig. 7)

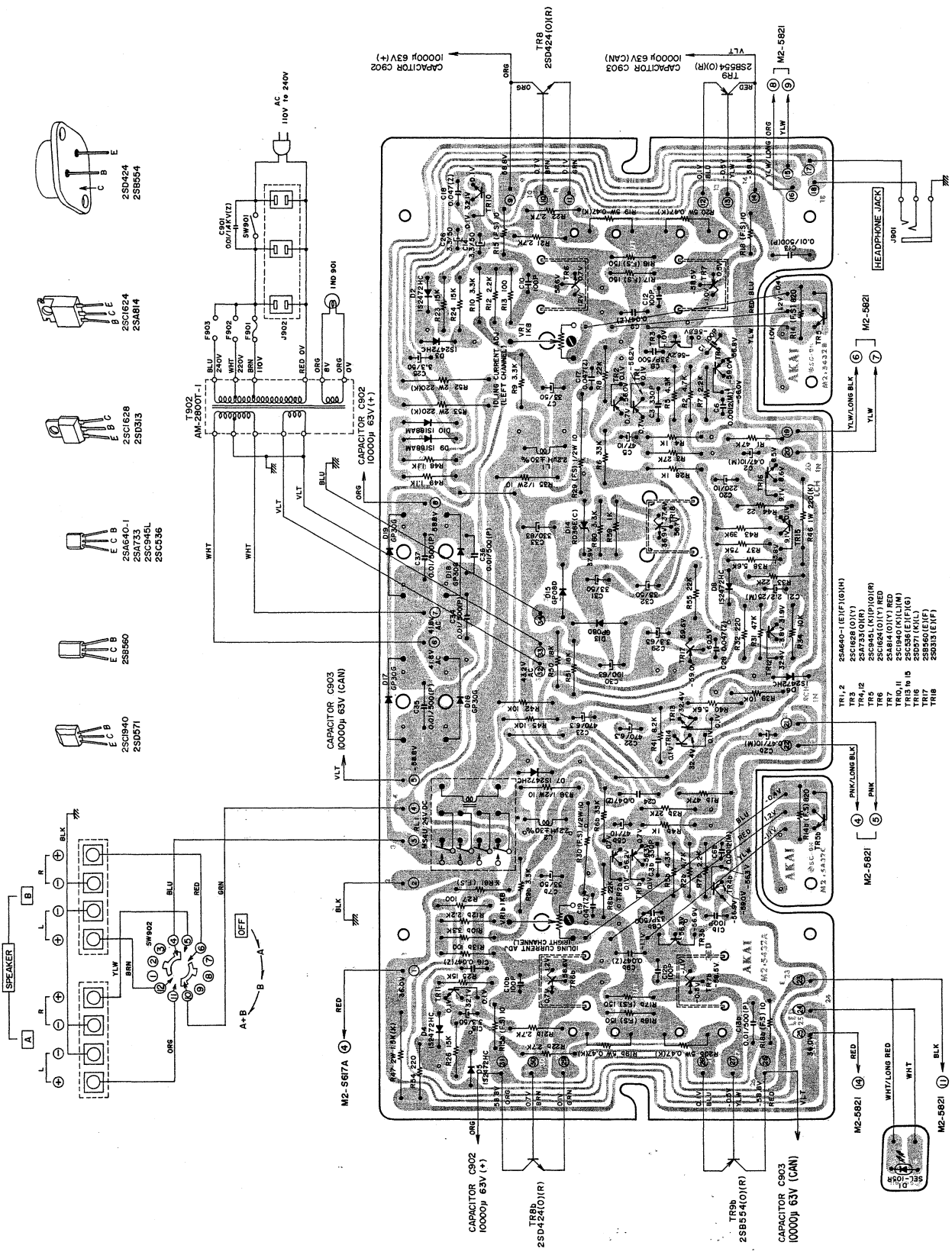
VII. CLASSIFICATION OF VARIOUS P.C BOARDS

1. RELATION OF P.C BOARD TITLE AND IDENTIFICATION NUMBER

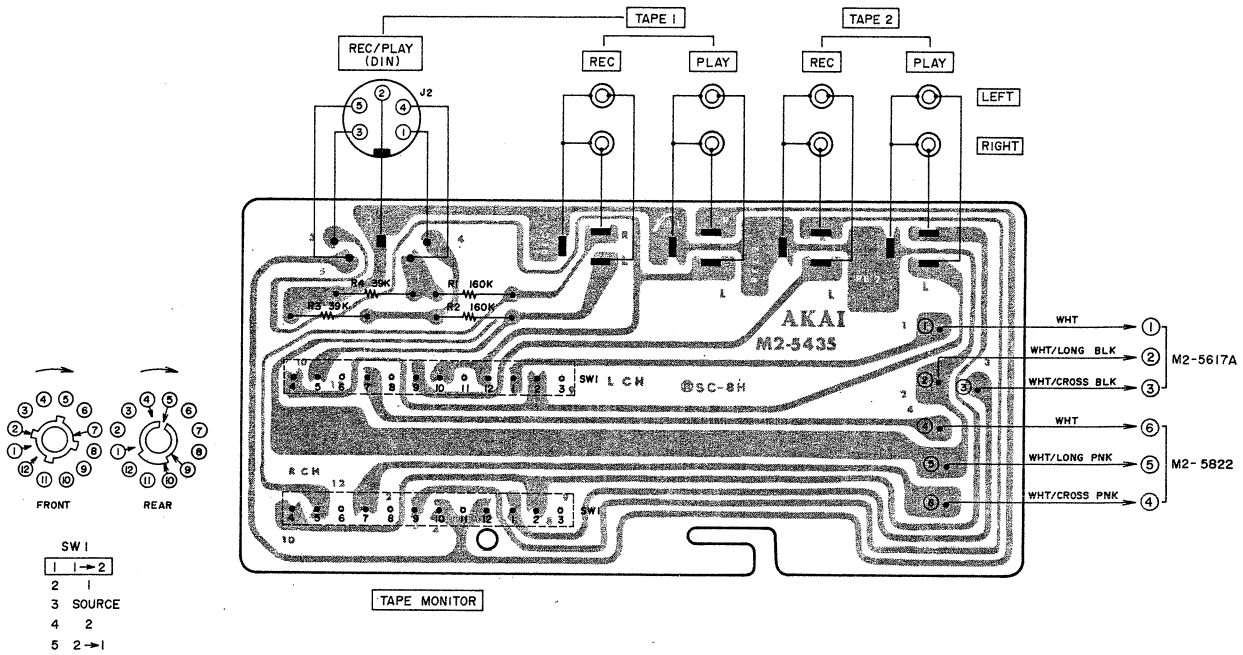
P.C Board Title	P.C Board Number
Main Amplifier P.C Board	M2-5432A
Tape P.C Board	M2-5435
Equalizer P.C Board	M2-5617A
Tone Control P.C Board	M2-5821
Volume P.C Board	M2-5822

2. COMPOSITION OF VARIOUS P.C BOARDS

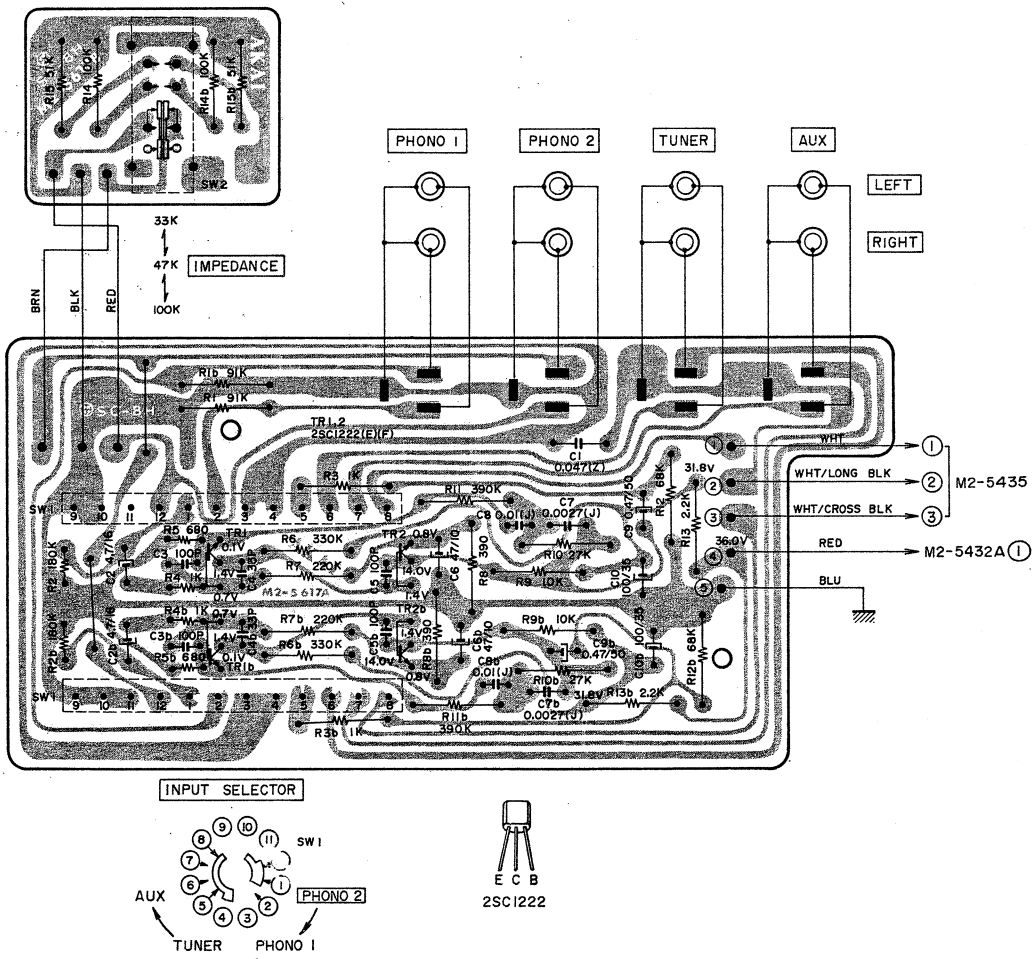
1) MAIN AMPLIFIER P.C BOARD M2-5432A



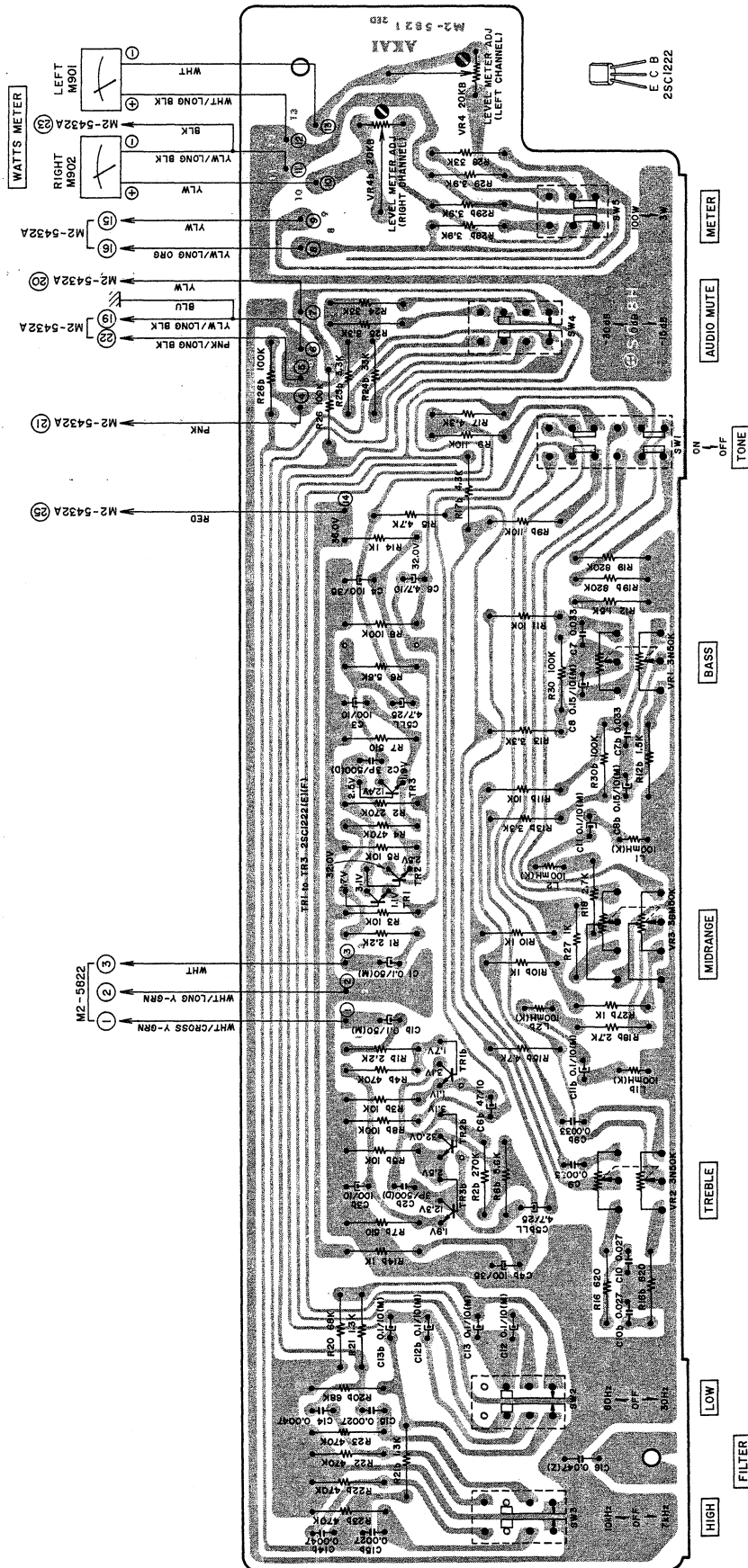
2) TAPE P.C BOARD M2-5435



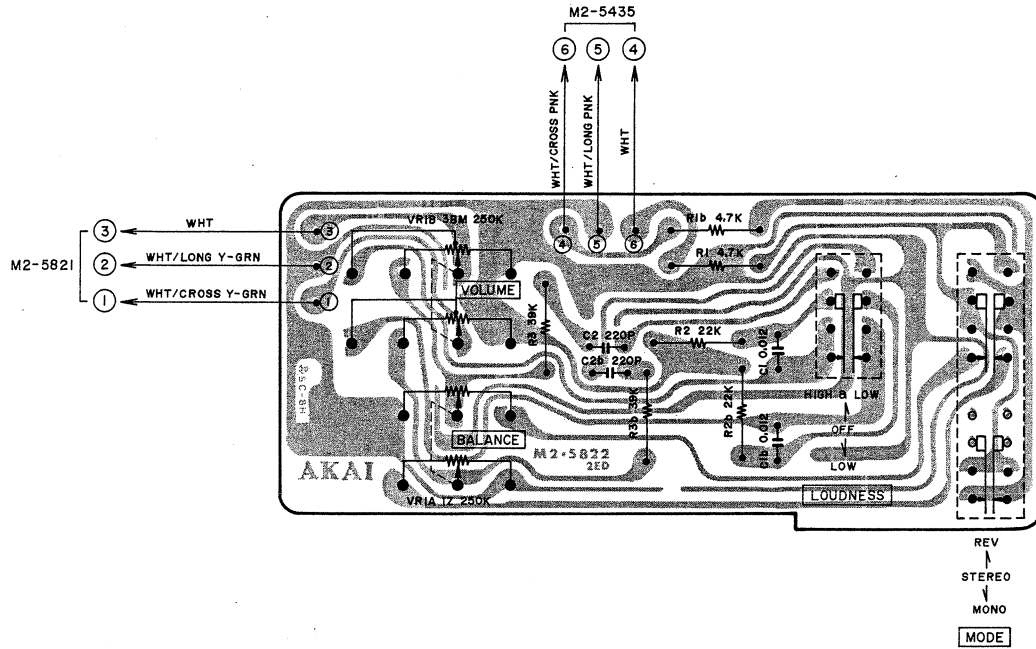
3) EQUALIZER P.C BOARD M2-5617A



4) TONE CONTROL P.C BOARD M2-5821



5) VOLUME P.C BOARD M2-5822



MEMO

MEMO

MEMO

MEMO

SECTION 2

PARTS LIST

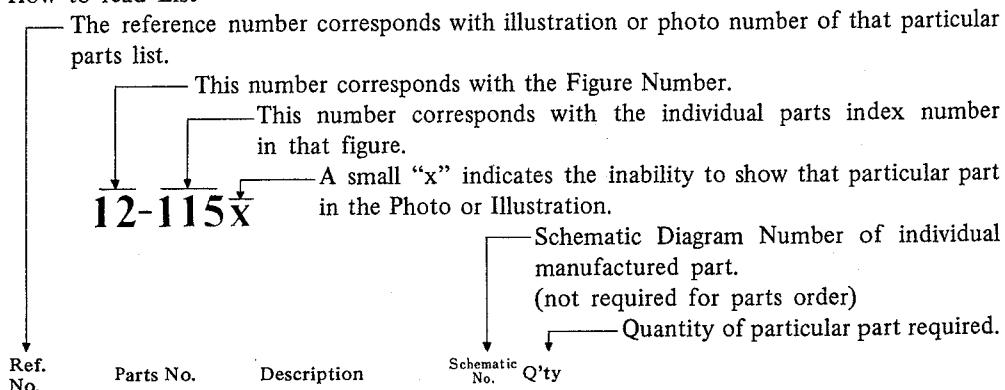
TABLE OF CONTENTS

1. RECOMMENDED SPARE PARTS LIST	19
2. MAIN AMP P.C BOARD (M2-5432A) BLOCK	20
3. TEMP. COMPENSATION P.C BOARD (M2-5432B) (M2-5432C) BLOCK	20
4. TAPE P.C BOARD (M2-5435) BLOCK	20
5. EQ. P.C BOARD (M2-5617A) BLOCK	20
6. EQ. P.C BOARD (M2-5617B) BLOCK	20
7. TONE CONTROL P.C BOARD (M2-5821) BLOCK	21
8. VOL. P.C BOARD (M2-5822) BLOCK	21
9. ASSEMBLY BLOCK	22
10. FINAL ASSEMBLY BLOCK	24
11. LIST OF INTERCHANGEABLE SEMICONDUCTORS	25
INDEX	26

Resistor and Capacitor which is not listed in this parts list, please refer to COMMON LIST FOR SERVICE PARTS.

HOW TO USE THIS PARTS LIST

1. This parts list is compiled by various individual blocks based on assembly process.
2. When ordering parts, please describe parts number, serial number, and model number in detail.
3. How to read List



4. The symbol numbers shown on the P.C. Board list can be matched with the Composite Views of Components of the Schematic Diagram or Service Manual.
5. Please utilize separate "Common List for Service Parts" for Resistor Parts orders.
6. The shape of the parts and parts name, etc. can be confirmed by comparing them with the parts shown on the Electrical Parts Table of P.C. Board.
7. Both the kind of part and installation position can be determined by the Parts Number. To determine where a parts number is listed, utilize Parts Index at end of Parts List.
It is necessary first of all to find the Parts Number. This can be accomplished by using the Reference Number listed at right of parts number in the Parts Index. (meaning of ref. no. outlined in Item 3 above).
8. Utilize separate "Price List for Parts" to determine unit price. The most simple method of finding parts Price is to utilize the reference number.

- CAUTION:**
1. When placing an order for parts, be sure to list the parts no., model no., and description. There are instances in which if any of this information is omitted, parts cannot be shipped or the wrong parts will be delivered.
 2. Please be careful not to make a mistake in the parts no. If the parts no. is in error, a part different from the one ordered may be delivered.
 3. Because parts number and parts unit supply in the Preliminary Service Manual (Basic Parts List) may be partially changed, please use this parts list for all future reference.

1. RECOMMENDED SPARE PARTS LIST

Because, if the parts listed below are on hand, almost any repair can be accomplished, we suggest that you stock these Recommended Spare Parts Items.

Parts No.	Description	Note
BA273082	Tape P.C Board Comp. M2-5435	
BA236024	Volume P.C Board Comp. M2-5822	
BA273058	Temp. Compensation P.C Board B Comp. M2-5432B	
BA273068	Temp. Compensation P.C Board C Comp. M2-5432C	
BA273453	Tone Control P.C Board Comp. M2-5821	
BA273205	Equalizer P.C Board Comp. M2-5617A	
BA273240	Equalizer P.C Board Comp. M2-5617B	
BA273137	Main Amplifier P.C Board Comp. M2-5432A	(U/T)
BA273148	Main Amplifier P.C Board Comp. M2-5432A	(CEE, BEAB)
BA273161	Main Amplifier P.C Board Comp. M2-5432A	(CSA, AAL)
BC242190	Cabinet M2-5820	
BD235978	Front Panel Block Comp. M2-5817	
BT245654	Power Transformer AM-2800T-1	(U/T)
BT245665	Power Transformer AM-2800T-3	(CEE, BEAB)
BT245643	Power Transformer AM-2800T-2	(CSA, AAL)
ED245430	Silicon Diode GP8D	
ED245428	Silicon Diode GP30G	
ED240377	Zener Diode RD36E (C)	
EJ624486	Power Transistor Socket	J902, 903
EL245060	Lamp (Cord Type) 8V 300 mA (600mmx2)	IND901
EM245744	Level Meter D34A52R	M901, M902
EP245283	Relay MY4A 24VDC	RL1
ES224436	Push Switch JP-1	(U/T) SW901
ES239218	Push Switch JP01 (TV-4)	(CSA) SW901
ES242346	Push Switch JP17	(CEE) SW901
ES240524	Rotary Switch SR321N 1-2-4 30KC	SW901, SW902
ES245733	Rotary Switch SR26N 1-2-5 20KC	SW1 (Tape P.C Board)
ES246183	Lever Switch SX153-3	SW1 (Vol. P.C Board)
ES243674	Lever Switch SX153-1	SW2 (Vol. P.C Board) SW2, 4 (Tone P.C Board)
ES246240	Lever Switch SX15-3	SW1 (Tone P.C Board)
ES214650	Lever Switch SX15-1	SW5 (Tone P.C Board)
ES246194	Rotary Switch SR26N 2-4-4 20KC	SW1 (EQ P.C Board)
ES246227	Slide Switch SSC323E	SW2 (EQ P.C Board)
ET245777	Power Transistor 2SD424 (O) (R)	
ET245755	Power Transistor 2SB554 (O) (R)	
EV246148	Double Volume 1Z250kx2 3BM250kx2	VR1 (Vol. P.C Board)
EV242267	Single axial 2 throw Vol. V16L4G3N 50kx2	VR1, VR2 (Tone P.C Board)
EV246238	Single axial 2 throw Vol. V16L4G3N 3BM 50kx2	VR3 (Tone P.C Board)
SK224886	Power Knob M2-5021	
SK646817	Single Knob AA-5250	
SK240063	Selector Knob M2-5428	
SK233730	Lever Knob M2-5614	
SK241863	Volume Knob 2 M2-5612	
SK241874	Balance Knob M2-5613	
SZ645243	Circular Foot A CA-6014	

2. MAIN AMP P.C BOARD (M2-5432A) BLOCK

Symbol No.	Parts No.	Description	Schematic No.	Q'ty
2-1	BA273137	Main Amp P.C Board Comp. (M2-5432A)		1
2-2	BA273148	Main Amp P.C Board Comp. (M2-5432A) (CEE)		1
2-3	BA273161	Main Amp P.C Board Comp. (M2-5432A) (CSA)		1
2-TR1,2	ET204221	Transistor 2SA640-1 (E) (F) (G) (H)	45-1-168	4
2-TR3	ET623035	Transistor 2SC1628 (O) (Y)	45-1-200	2
2-TR4	ET557965	Transistor 2SA733 (Q) (R)	45-1-124	2
2-TR6	ET240412	Transistor 2SC1624 (O) (U) RED	45-1-246	1
2-TR7	ET240423	Transistor 2SA814 (O) (Y) RED	45-1-247	1
2-TR10,11	ET240636	Transistor 2SC1940 (K) (L) (M)	45-1-241	2
2-TR12	ET557965	Transistor 2SA733 (Q) (R)	45-1-124	1
2-TR13to15	ET520841	Transistor 2SC711 (E) (F) (G)	45-1-67	3
2-TR16	ET666404	Transistor 2SD571 (K) (L)	45-1-218	1
2-TR17	ET219868	Transistor 2SB560 (E) (F)	45-1-232	1
2-TR18	ET452531	Transistor 2SD313 (E) (F)	45-1-105	1
2-D2to8	ED214457	Silicon Diode 1S2472	45-3-41	7
2-D9,10	ED562386	Germanium Diode 1S188AM	45-3-24	2
2-D13	ED245430	Silicon Diode GP08D	45-2-68	1
2-D14	ED240377	Zener Diode RD36E (C)	45-6-72	1
2-D15	ED245430	Silicon Diode GP08D	45-2-68	1
2-D16to19	ED245428	Silicon Diode GP30G	45-2-69	4
2-VR1,2	EV484863	Semi-fixed/Vol. V10K8-4-2 1 kB	36-10-250	2
2-L1,2	EO551711	Phase Compensation Coil 2.2μH	23-1-188	2
2-RL1	EP245283	Relay MY4A 24VDC	47-1-29	1
2-R19,20	ER622978	Metal Plate/R. MPC71F1 5W 0.47ohm (K)	35-16-48	4
2-R46	ER389687	Metal Oxide Film/R. 1W 220 ohms (K)	35-15-10	1
2-R47	ER245531	Metal Oxide Film/R. 2W 1.5k (K)	35-15-8	1
2-R52,53	ER246363	Metal Oxide Film/R. 2W 220 ohms (K)	35-15-18	2
2-C2	EC538244	Solid Aluminum/C. 0.47μF (M) 10WV (Vert. Type)	24-19-2	2
2-C21	EC662128	Solid Aluminum/C. 2.2μF (M) 25WV (Vert. Type)	24-19-2	1

3. TEMP. COMPENSATION P.C BOARD (M2-5432B) (M2-5432C) BLOCK

Symbol No.	Parts No.	Description	Schematic No.	Q'ty
3-1	EA241795	Temp. Compensation P.C Board B	M2-5432B	1
3-2	EA245698	Temp. Compensation P.C Board C	M2-5432C	1
3-TR5	ET635218	Transistor 2SC945L (K) (P) (Q) (R)	45-1-85	1

4. TAPE P.C BOARD (M2-5435) BLOCK

Symbol No.	Parts No.	Description	Schematic No.	Q'ty
4-1	BA273082	Tape P.C Board Comp. (M2-5435)		1
4-SW1	ES245733	Rotary SW. SR26N 1-2-5 20 KC	25-6-98	1
4-J1	EJ246216	8P Pin Jack	31-1-188	1
4-J2	EJ698051	Din Jack	31-1-158	1

5. EQ. P.C BOARD (M2-5617A) BLOCK

Symbol No.	Parts No.	Description	Schematic No.	Q'ty
5-1	BA273205	EQ. P.C Board Comp. (A) (M2-5617A)		1
5-TR1,2	ET459810	Transistor 2SC1222 (E) (F)	45-1-110	4
5-SW1	ES246194	Rotary SW. SR26N 2-4-4 20KC	25-6-97	1
5-J1	EJ246216	8P Pin Jack	31-1-188	1

6. EQ. P.C BOARD (M2-5617B) BLOCK

Symbol No.	Parts No.	Description	Schematic No.	Q'ty
6-1	BA273240	EQ. P.C Board Comp. (B) (M2-5617B)		1
6-SW2	ES246227	Slide SW. SSC323E	25-3-119	1

When ordering parts, Please describe Parts Number, Description, and Model Number in detail.

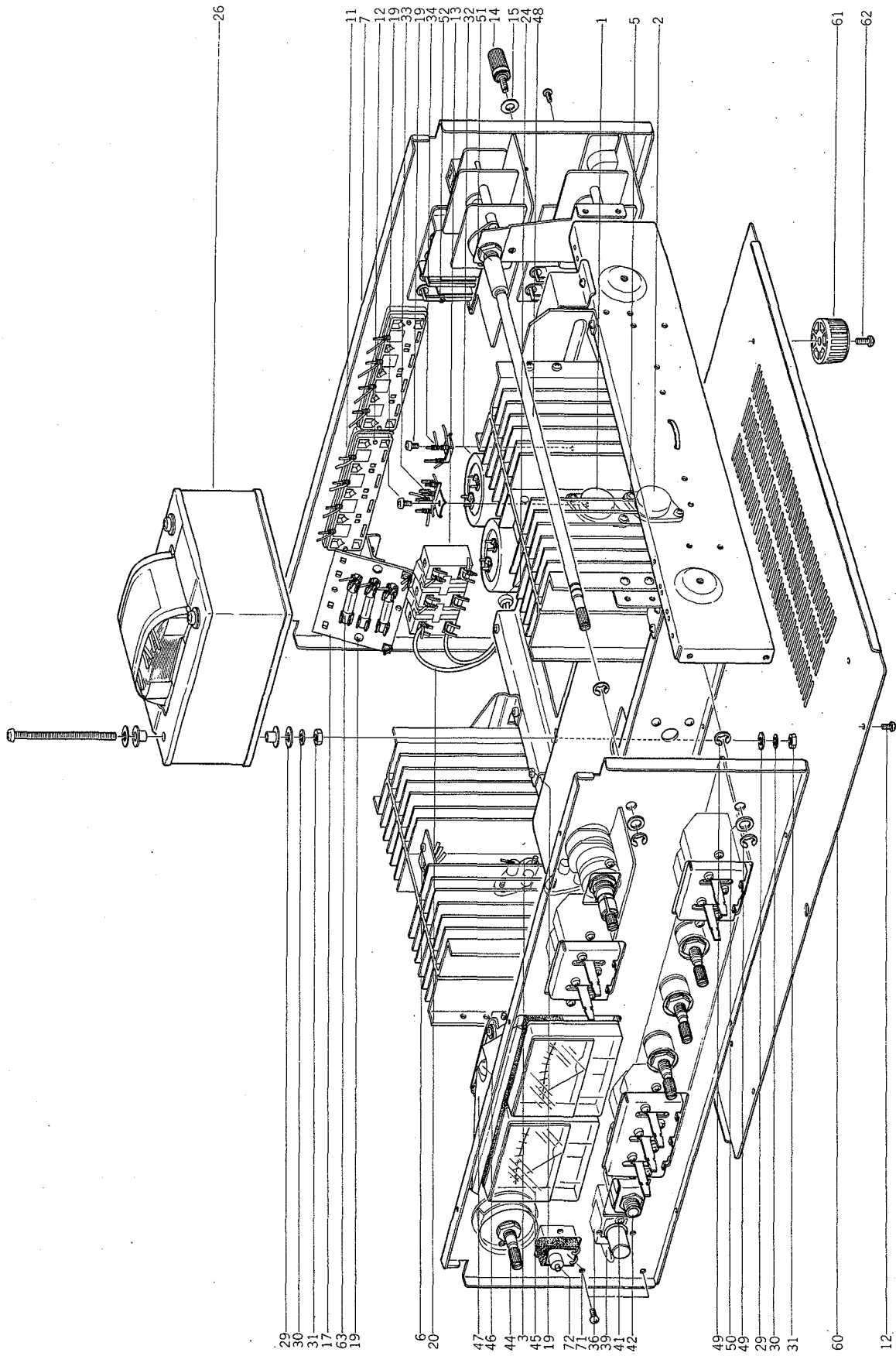
7. TONE CONTROL P.C BOARD (M2-5821) BLOCK

Symbol No.	Parts No.	Description	Schematic No.	Q'ty
7-1	BA273453	Tone Control P.C Board Comp. (M2-5821)		1
7-TR1to3	ET459810	Transistor 2SC1222 (E) (F)	45-1-110	6
7-L1,2	EO656954	Inductor 100MH (J)	23-1-245	4
7-VR1,2	EV242267	Single axial 2 throw Vol. V16L4G3N 50kx2	36-22-19	2
7-VR3	EV246238	Single axial 2 throw Vol. V16L4G3N		
		3BM50kx2	36-22-20	1
7-VR4	EV560136	Semi-fixed/Vol. V10K8-4-2 20 kB	36-10-250	2
7-SW1	ES246240	Lever SW. SX15-3	25-12-34	1
7-SW2to4	ES243674	Lever SW. SX153-1	25-12-31	3
7-SW5	ES214650	Lever SW. SX15-1	25-12-38	1
7-C8	EC246328	Solid Aluminum/C. 0.15 μ F(M) 10WV (Vert. Type)	24-19-2	2
7-C11to13	EC219813	Solid Aluminum/C. 0.1 μ F(M) 10WV (Vert. Type)	24-19-2	6
7-2	ZS417216	Screw, pane head 3x4		10

8. VOL. P.C BOARD (M2-5822) BLOCK

Symbol No.	Parts No.	Description	Schematic No.	Q'ty
8-1	BA236024	Vol. P.C Board Comp. (M2-5822)		1
8-VR1	EV246148	Double/Vol. 1Z250kx2 3BM250kx2	36-3-72	1
8-SW1	ES246183	Lever SW. SX153-3	25-12-32	1
8-SW2	ES243674	Lever SW. SX153-1		1
8-2	ZS417216	Screw, pan head 3x4	25-12-31	4

9. ILLUSTRATION OF ASSEMBLY BLOCK

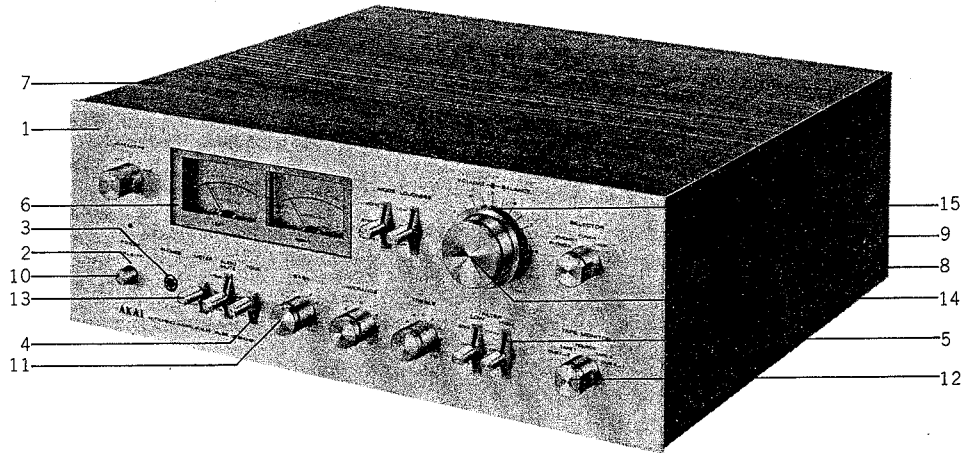


9) ASSEMBLY BLOCK

Ref. No.	Parts No.	Description	Schematic No.	Q'ty	Ref. No.	Parts No.	Description	Schematic No.	Q'ty
HEAT-SINK BLOCK									
9-1	ET245777	Transistor 2SD424 (O) (R)	45-1-243	2	9-56x	ZW330434	Adjust. Washer (U) D4x13x0.5t		2
9-2	ET245755	Transistor 2SB554 (O) (R)	45-1-242	2	9-57x	ZW330445	Adjust. Washer (U) D4x13x0.8t		2
9-3	EJ624486	Power Tr. Socket	31-1-97	4	9-58x	ZW330456	Adjust. Washer (U) D4x13x1t		2
9-4x	EZ624734	Mylar Sheet AC-201	45-16-18	4	9-59x	ZW439547	Adjust. Washer (U) D4x13x1.5t		2
9-5	ZS417148	Screw, binding head 3x15		8	9-60	SP242201	Bottom Plate	M2-5823	1
9-6	ZS447840	Tapping Screw #2 3x8 (BR)		24	9-61	SZ645243	Circular Foot A CA	CA-6014	4
REAR PANEL BLOCK									
9-7	SP242177	Rear Panel 1	M2-5815	1	9-62	ZS565942	Tapping Screw #2 4x8 (Pan)		4
9-8x	SP240502	Rear Panel 3 (CEE)	M2-5816	1	9-63	EF563657	Fuse 3A 250V	39-1-50	1
9-9x	SP243347	Rear Panel 2 (CSA)	M2-5815	1	9-64x	EF601942	Fuse (SEMKO T Type) 630MAT	39-1-53	2
9-10x	SP240513	Rear Panel 4 (BEAB)	M2-5816	1	9-65x	EF242605	Fuse (SEMKO T Type) 6.3AT (CEE, BEAB)	39-1-53	1
9-11	EJ240581	4P Push Terminal	32-1-72	2	9-66x	EF277424	Fuse ST-4 0.8A	39-1-28	2
9-12	ZS447805	Tapping Screw #2 3x12 (BR)		4	9-67x	EF268053	Fuse (Little Type) 6A 250V	39-1-58	1
9-13	EJ240535	3-throw AC Outlet	31-1-173	1	9-68x	ZW273892	Toothed Lock Washer (BEAB)		1
9-14	SK652397	Knob 0512-2	34-1-4	1	9-69x	ZS417150	Screw, pan head 4x6 (BEAB)		1
9-15	ZW651082	Washer (SPC) D3.2x10x1t		1	9-70x	ZW413188	Nut M4, #1 (BEAB)		1
9-16x	ZS608477	Screw, pan head 3x4		2	9-71	EA241986	LED P.C Board	M2-5617C	1
9-17	EJ223514	3P Fuse Holder (Large) A (Lugging Type)	40-1-97	1	9-72	ED656357	LED SEL-105R	45-15-11	1
9-18x	EJ246870	Fuse Holder AM-8S (CEE, BEAB)	40-1-138	1					
9-19	ZS325495	Tapping Screw #2 3x6 (BR)		38					
9-20	EW540123	AC Cord (CUL) 2.5M	26-3-20	1					
9-21x	EW516600	AC Cord (CEE) VM-0065	26-3-28	1					
9-22x	EW516475	AC Cord (CSA) 2.5M	26-3-20	1					
9-23x	EW604585	AC Cord (BSI) (BEAB)	26-3-37	1					
9-24	EZ631945	Strain Relief SR-4N-4	2-7-49	1					
9-25x	EZ246936	Strain Relief SR-6W-1 (BEAB)	2-7-8	1					
ASSEMBLY BLOCK									
9-26	BT245654	Power Trans. AM-2800T-1	38-4-443	1					
9-27x	BT245665	Power Trans. AM-2800T-3 (CEE, BEAB)	38-4-445	1					
9-28x	BT245643	Power Trans. AM-2800T-2 (CSA, AAL)	38-4-444	1					
9-29	ZW237868	Washer D5.1x10x1t		4					
9-30	ZW274026	Spring Washer		4					
9-31	ZW413278	Nut M5, #1		4					
9-32	EC246341	Elect./C. 10000µF 63WV	24-10-114	2					
9-33	EJ551035	Wrapping Terminal, 4P T-5251	32-1-36	1					
9-34	EJ539447	Earth Terminal 2P T4460	32-1-32	2					
9-35x	ZS447761	Tapping Screw #2 3x6 (BR) (Black)		10					
9-36	ES224436	Push SW. JP01	25-5-221	1					
9-37x	ES239218	Push SW. JP01 (TV-4) (CEE)	25-5-222	1					
9-38x	ES242346	Push SW. JP17 (CSA)	25-5-224	1					
9-39	EC551160	Ceramic/C. NB821YZ 0.01µF (Z) 1.4kVW	24-5-55	1					
9-40x	EC286198	Ceramic/C. AL-10 0.01µF (Z) 125WV (CEE)	24-5-69	1					
9-41	ZS417216	Screw, pan head 3x4		12					
9-42	EJ655716	Head Phone Jack 3PMJ1E	31-2-67	1					
9-43x	ZW554624	E Jack Nut	7-1-56	1					
9-44	ES240524	Rotary SW. SR321N 1-2-4 30 KC	25-7-47	1					
9-45	EM245744	Level Meter D34A52R	46-1-145	2					
9-46	EL245700	Lamp (Cord Type) 8V 300mA (600m/mx2)	28-2-57	1					
9-47	TA242076	Meter Illumination Plate	M2-5813	1					
9-48	MS241582	Relay Shaft B	M2-5412	2					
9-49	ZW270123	'E' Ring 4M	6-1-9	4					
9-50	ZW322110	Washer (Nylon) D6.1x10.3x1.0t		2					
9-51	TA646773	Joint	AA-5240	2					
9-52	ZW698308	Nylon Rivet (FNPR) 3x5.5 Black	2-7-54	5					
9-53x	ZS608185	Screw, pan head 2.6x4		2					
9-54x	ZW330412	Adjust. Washer (U) D4x13x0.13t		2					
9-55x	ZW330423	Adjust. Washer (U) D4x13x0.25t		2					

When ordering parts, Please describe Parts Number, Description, and Model Number in detail.

10. PHOTO OF FINAL ASSEMBLY BLOCK



10) FINAL ASSEMBLY BLOCK

Ref. No.	Parts No.	Description	Schematic No.	Q'ty
FRONT PANEL BLOCK				
10-1	BD235978	Front Panel Block Comp.		1
10-2	MZ224627	Push Button Bush A	M2-5004	1
10-3	ZW526577	Collar B, Jack	MC-5006	1
10-4	SE233807	Lever Escutcheon (Small)	M2-5615	2
10-5	SE244787	Lever Escutcheon (Large)	M2-5616	5
10-6	TA242087	Meter Plate	M2-5818/ M2-5819	1
10-7	BC242190	Cabinet AM-2800	M2-5820	1
10-8	ZW548010	Spot Facing Washer	MU-6028	4
10-9	ZS510344	Screw, binding head 4x12		4
10-10	SK224886	Power Knob AT-2200	M2-5021	1
10-11	SK646817	Single Knob	AA-5250	3
10-12	SK240063	Selector Knob	M2-5428	3
10-13	SK233730	Lever Knob	M2-5614	7
10-14	SK241863	Vol. Knob 2	M2-5612	1
10-15	SK241874	Balance Knob	M2-5613	1

When ordering parts, Please describe Parts Number, Description, and Model Number in detail.

11. LIST OF INTERCHANGEABLE SEMICONDUCTORS

As far as service is concerned, in case the original parts cannot be obtained, the interchangeable parts listed below can be substituted.

Original Parts			Interchangeable Parts	
Description	Parts No.	Utilizing P.C Board	Description	Parts No.
2SA640-1 (E) (F) (G) (H)	ET204221	M2-5432A		
2SA733 (Q) (R)	ET557965	M2-5432A	2SA628 (E) (F)	ET557976
2SA814 (O) (Y)	ET240423	M2-5432A		
2SB554 (O) (R)	ET245755			
2SB560 (E) (F)	ET219868	M2-5432A	2SA661 (O) (Y)	ET650665
2SC536 (E) (F) (G)	ET621235	M2-5432A	2SC711 (E) (F) (G)	ET520841
2SC945L (K) (P) (Q) (R)	ET635218	M2-5432B M2-5432C	2SC536 (E) (F) (G) 2SC711 (E) (F) (G)	ET621235 ET520841
2SC1222 (E) (F)	ET459810	M2-5617A M2-5821	2SC1000 (BL) (GR) 2SC1312 (G) (H)	ET622181 ET517263
2SC1624 (O) (Y) RED	ET240412	M2-5432A	2SC1124 (1) (2)	ET551564
2SC1628 (O) (Y)	ET623035	M2-5432A	2SC1124 (1) (2)	ET551564
2SC1940 (K) (L) (M)	ET240636	M2-5432A		
2SD313 (E) (F)	ET452531	M2-5432A	2SD571 (L) (M)	ET655536
2SD424 (O) (R)	ET245777			
2SD571 (K) (L)	ET666406	M2-5432A	2SD438 (D) (E) 2SC1384 (Q) (R)	ET699017 ET565852
1S2472	ED240412	M2-5432A	1S2472HC 1S2473HC	ED656278 ED245441
1S188AM	ED562386	M2-5432A	1N60	ED691784
GP8D	ED245430	M2-5432A		
GP30G	ED245428	M2-5432A		
RD36E (C)	ED240377	M2-5432A		
SEL105R	ED656357	M2-5617C		

INDEX

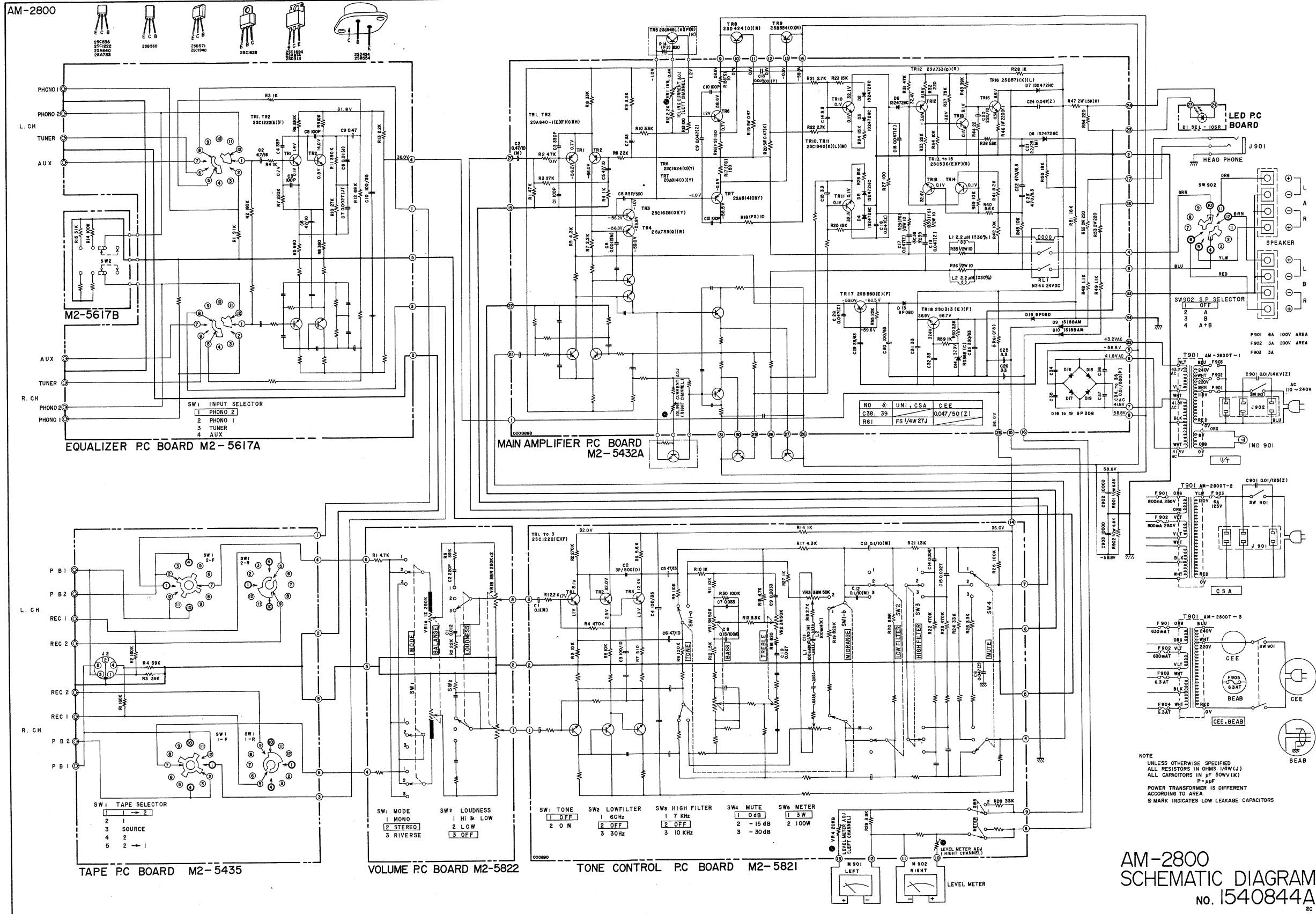
Parts No.	Ref. No. & Symbol No.	Parts No.	Ref. No. & Symbol No.	Parts No.	Ref. No. & Symbol No.	Parts No.	Ref. No. & Symbol No.	Parts No.	Ref. No. & Symbol No.
BA236024	8-1	ET623035	2-TR3						
BA273082	4-1	ET635218	3-TR5						
BA273137	2-1	ET666404	2-TR16						
BA273148	2-2	EV242267	7-VR1,2						
BA273161	2-3	EV246148	8-VR1						
BA273205	5-1	EV246238	7-VR3						
BA273240	6-1	EV484863	2-VR1,2						
BA273453	7-1	EV560136	7-VR4						
BC242190	10-7	EW516475	9-22x						
BD235978	10-1	EW516600	9-21x						
BT245643	9-28x	EW540123	9-20						
BT245654	9-26	EW604585	9-23x						
BT245665	9-27x	EZ246936	9-25x						
EA241795	3-1	EZ624734	9-4x						
EA241986	9-71	EZ631945	9-24						
EA245698	3-2	MS241582	9-48						
EC219813	7-C11to13	MZ224627	10-2						
EC246328	7-C8	SE233807	10-4						
EC246341	9-32	SE244787	10-5						
EC286198	9-40x	SK224886	10-10						
EC538244	2-C2	SK233730	10-13						
EC551160	9-39	SK240063	10-12						
EC662128	2-C21	SK241863	10-14						
ED214457	2-D2to8	SK241874	10-15						
ED240377	2-D14	SK646817	10-11						
ED245428	2-D16to19	SK652397	9-14						
ED245430	2-D13	SP240502	9-8x						
ED245430	2-D15	SP240513	9-10x						
ED562386	2-D9,10	SP242177	9-7						
ED656357	9-72	SP242201	9-60						
EF242605	9-65x	SP243347	9-9x						
EF268053	9-67x	SZ645243	9-61						
EF277424	9-66x	TA242076	9-47						
EF563657	9-63	TA242087	10-6						
EF601942	9-64x	TA646773	9-51						
EJ223514	9-17	ZS325495	9-19						
EJ240535	9-13	ZS417148	9-5						
EJ240581	9-11	ZS417150	9-69x						
EJ246216	4-J1	ZS417216	7-2						
EJ246216	5-J1	ZS417216	8-2						
EJ246870	9-18x	ZS417216	9-41						
EJ539447	9-34	ZS447761	9-35x						
EJ551035	9-33	ZS447805	9-12						
EJ624486	9-3	ZS447840	9-6						
EJ655716	9-42	ZS510344	10-9						
EJ698051	4-J2	ZS565942	9-62						
EL245700	9-46	ZS608185	9-53x						
EM245744	9-45	ZS608477	9-16x						
EO551711	2-L1,2	ZW237868	9-29						
EO656954	7-L1,2	ZW270123	9-49						
EP245283	2-RL1	ZW273892	9-68x						
ER245531	2-R47	ZW274026	9-30						
ER246363	2-R52,53	ZW322110	9-50						
ER389687	2-R46	ZW330412	9-54x						
ER622978	2-R19,20	ZW330423	9-55x						
ES214650	7-SW5	ZW330434	9-56x						
ES224436	9-36	ZW330445	9-57x						
ES239218	9-37x	ZW330456	9-58x						
ES240524	9-44	ZW413188	9-70x						
ES242346	9-38x	ZW413278	9-31						
ES243674	7-SW2to4	ZW439547	9-59x						
ES243674	8-SW2	ZW526577	10-3						
ES245733	4-SW1	ZW548010	10-8						
ES246183	8-SW1	ZW554624	9-43x						
ES246194	5-SW1	ZW651082	9-15						
ES246227	6-SW2	ZW698308	9-52						
ES246240	7-SW1								
ET204221	2-TR1,2								
ET219868	2-TR17								
ET240412	2-TR6								
ET240423	2-TR7								
ET240636	2-TR10,11								
ET245755	9-2								
ET245777	9-1								
ET452531	2-TR18								
ET459810	5-TR1,2								
ET459810	7-TR1to3								
ET520841	2-TR13to15								
ET557965	2-TR4								
ET557965	2-TR12								

SECTION 3

SCHEMATIC DIAGRAM

1. AM-2800 NO. 1540844A SCHEMATIC DIAGRAM

AM-2800



AM-2800
SCHEMATIC DIAGRAM
No. 1540844A

NOTE
UNLESS OTHERWISE SPECIFIED
ALL RESISTORS IN OHMS 1/4W (L)
ALL CAPACITORS IN μ F 50V (K)
P = pF
POWER TRANSFORMER IS DIFFERENT
ACCORDING TO AREA
* MARK INDICATES LOW LEAKAGE CAPACITORS