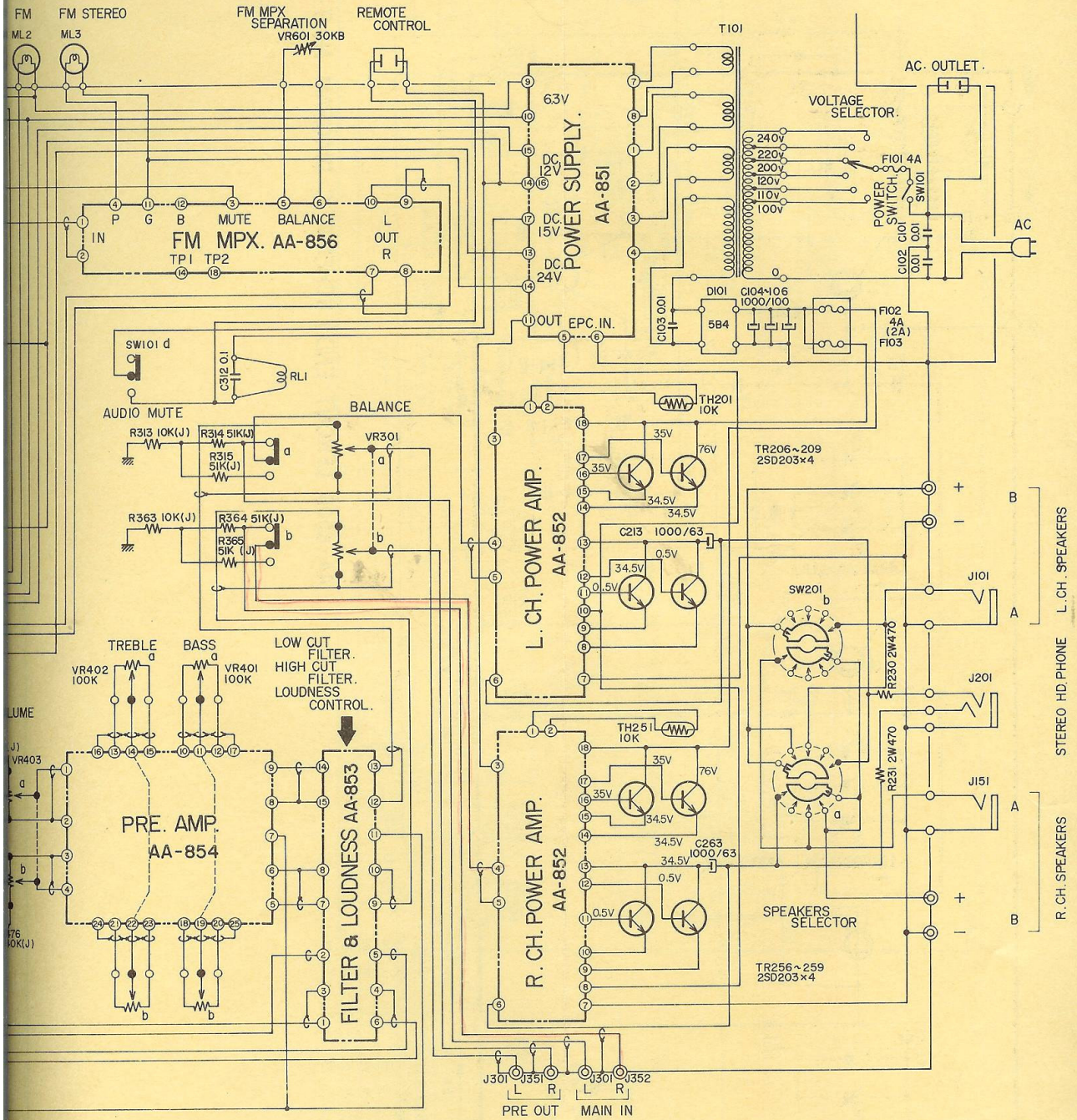
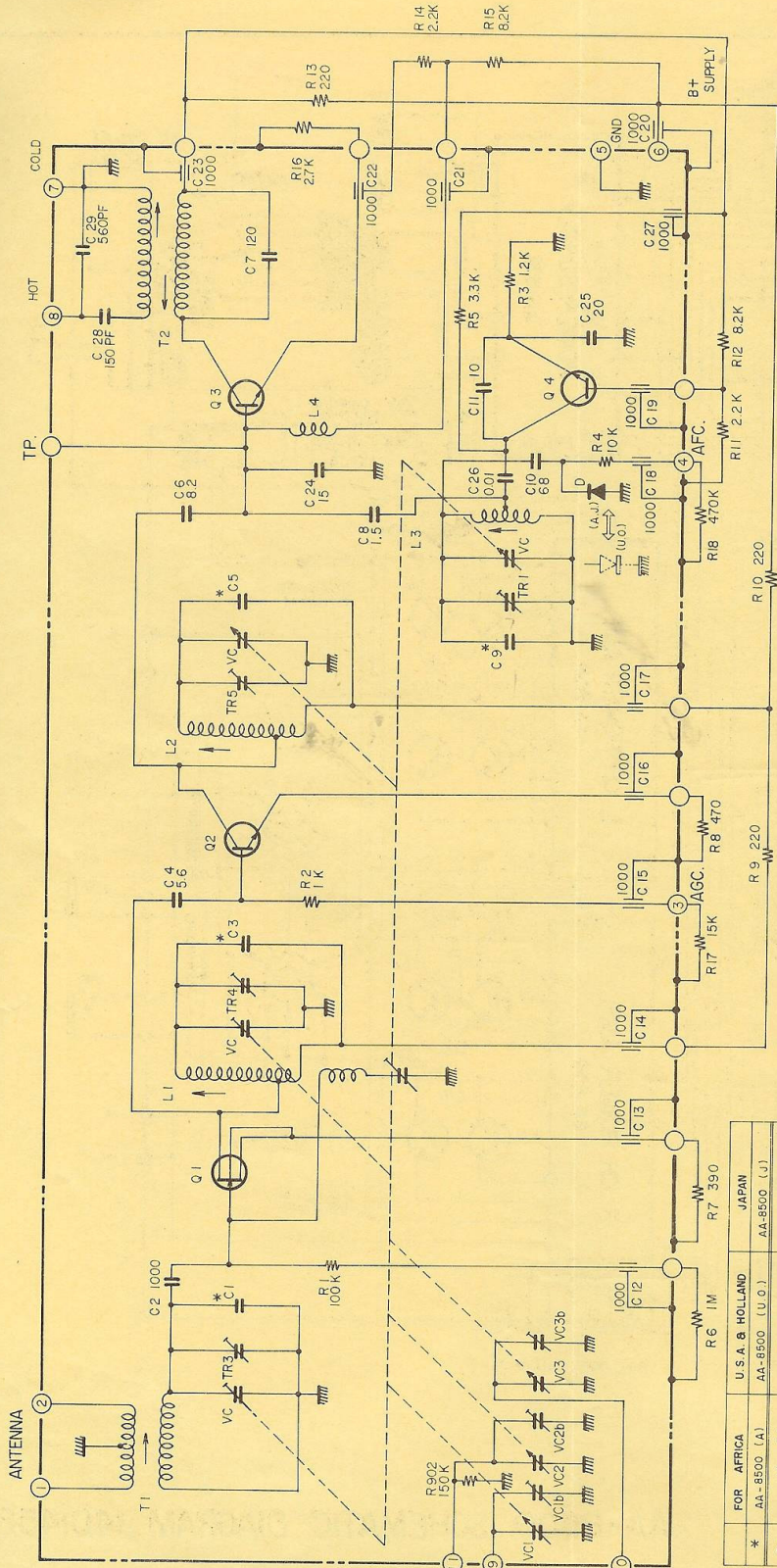


UNLESS OTHERWISE SPECIFIED
 ALL RESISTORS
 ALL CAPACITORS



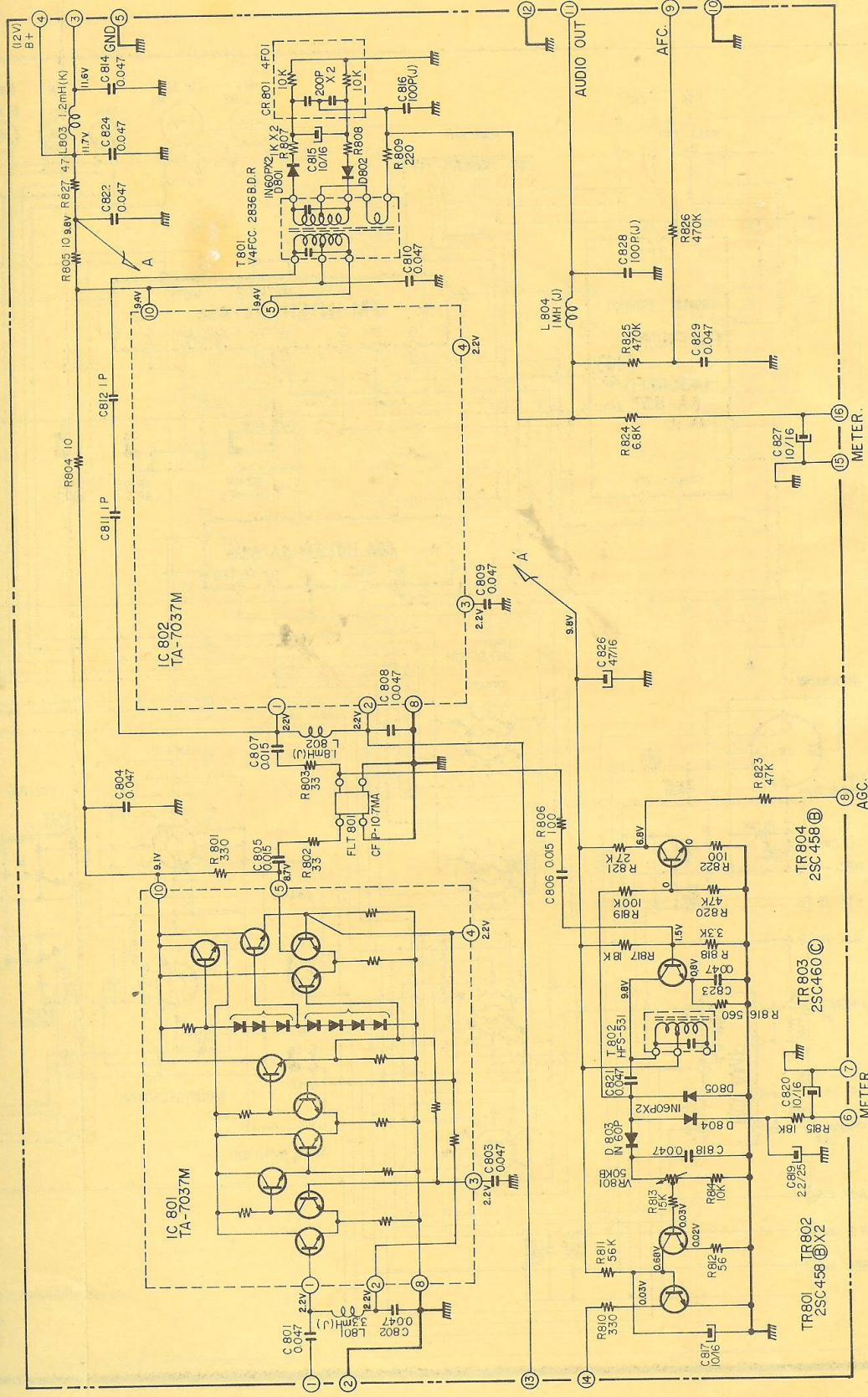
UNLESS OTHERWISE SPECIFIED
 ALL RESISTORS IN OHMS 1/4W K
 ALL CAPACITORS IN MFD (MFD/WV)

AA-8500 SCHEMATIC DIAGRAM 14014560

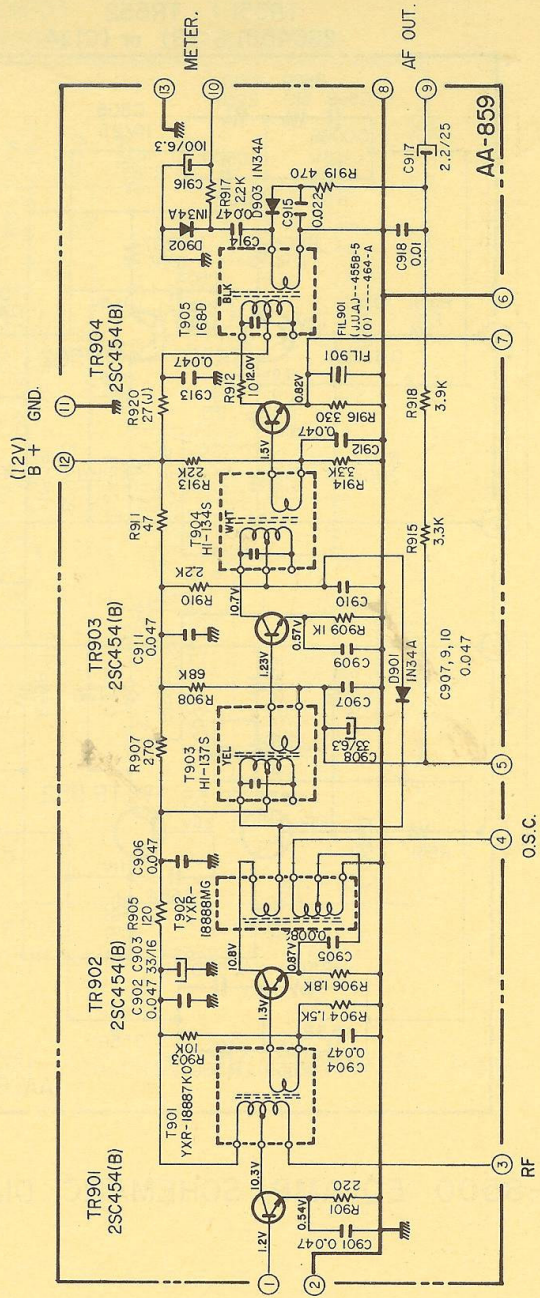


	FOR AFRICA	U.S.A. & HOLLAND	JAPAN
* AA-8500 (A)	AA-8500 (U.O.)	AA-8500 (U.)	
C 1	10 PF	12 PF	10 PF
C 3	14 PF	15 PF	20 PF
C 5	14 PF	15 PF	20 PF
C 9	4 PF	15 PF	15 PF

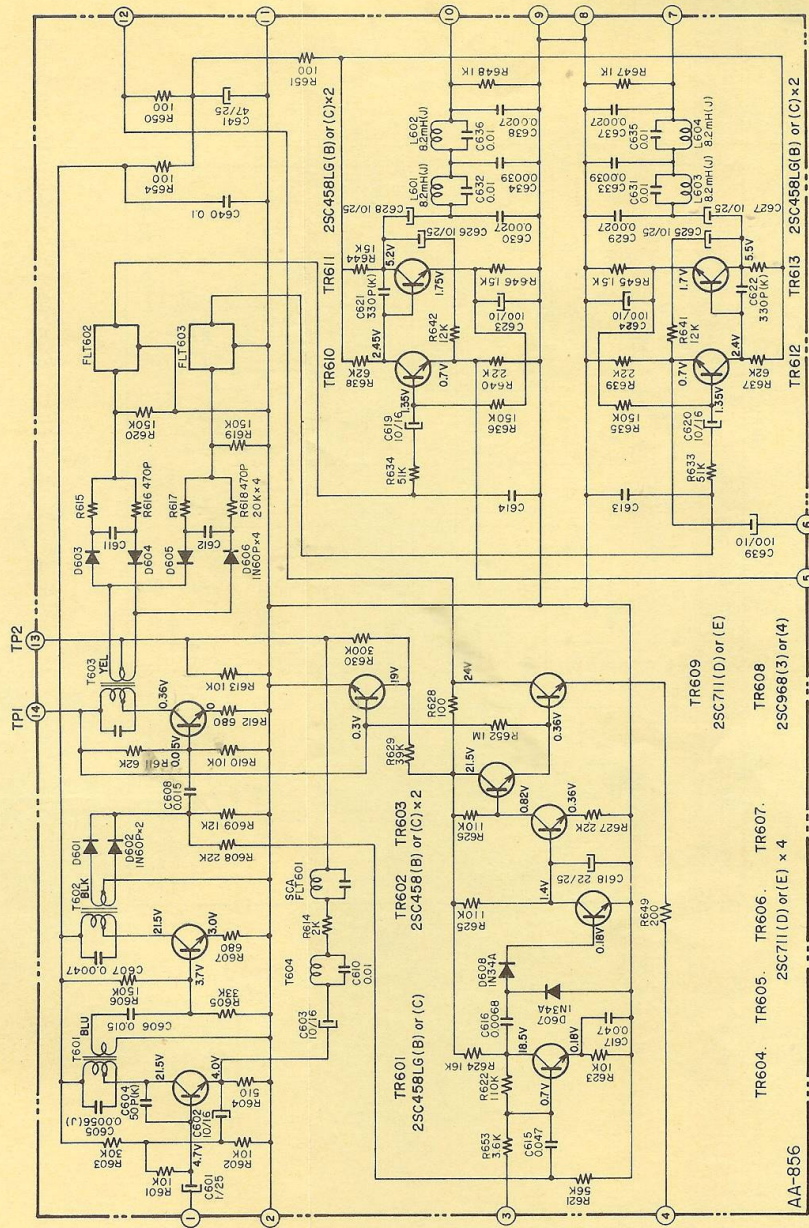
AA-8500 (FRONT END.) SCHEMATIC DIAGRAM. No. 9 - 1



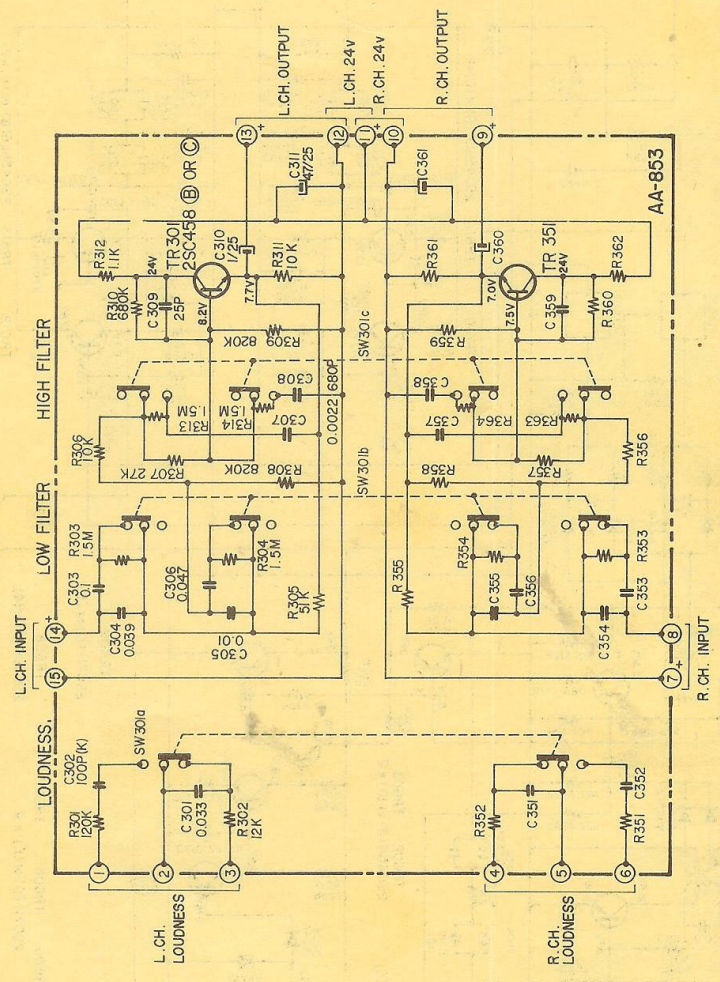
AA-8500 (FM. INTER.) SCHEMATIC DIAGRAM. No.9-2



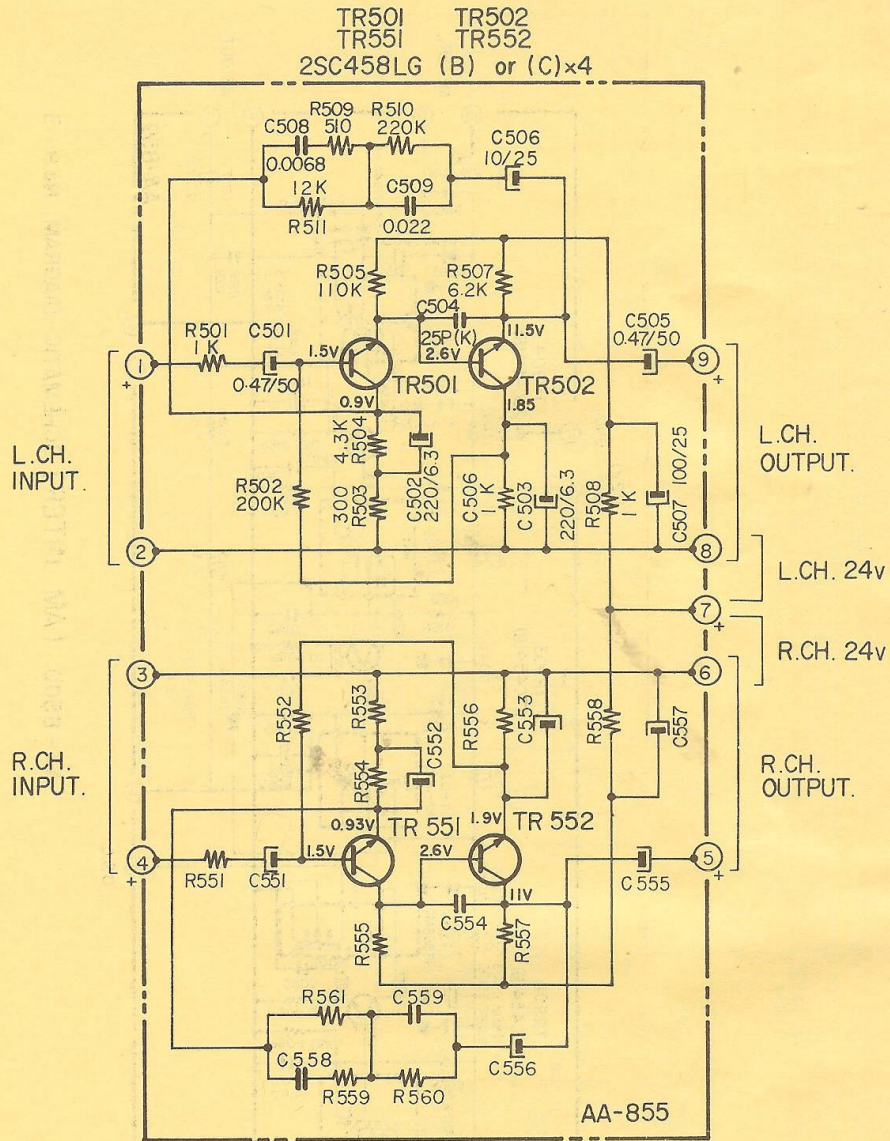
AA - 8500 (AM INTER) SCHEMATIC DIAGRAM. No.9 - 3



AA-8500 FM-MPX SCHEMATIC DIAGRAM, No.9-4



AA-8500 FILTER SCHEMATIC DIAGRAM. No.9 - 5



AA-8500 EQ. AMP. SCHEMATIC DIAGRAM. No.9 - 6

TR403 TR404
2SC485 (B) or (C) x 2

TR401 TR402
2SC458LG (B) or (C) x 2

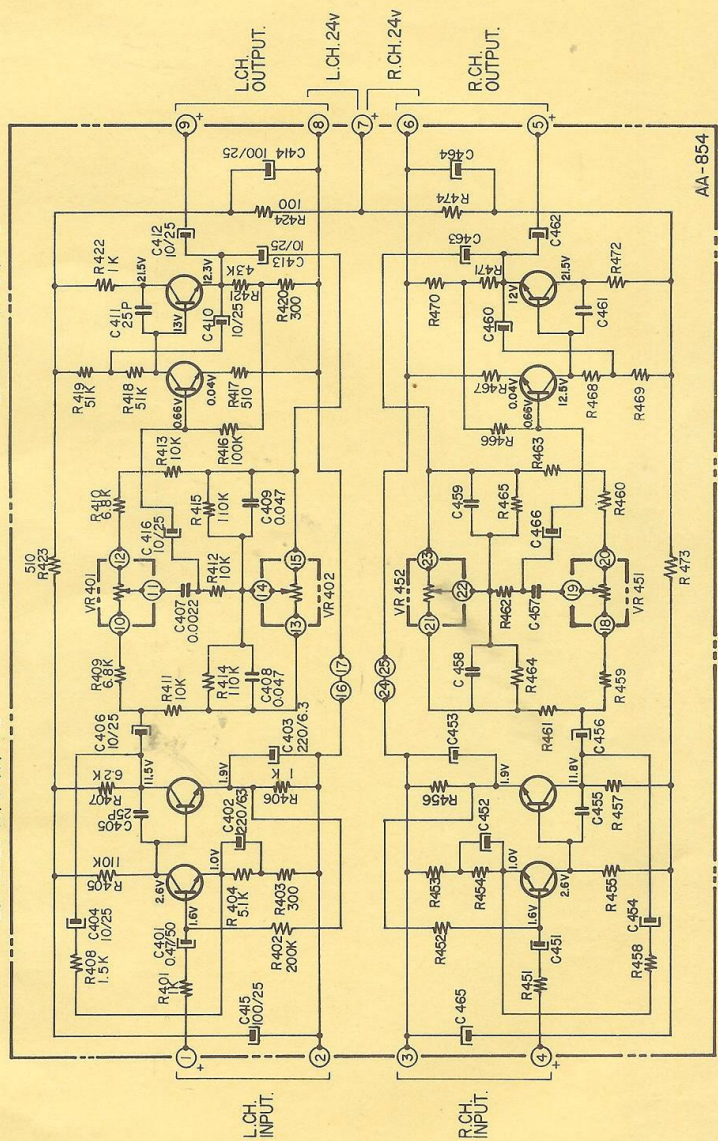
TR401 TR402
2SC458LG (B) or (C) x 2

TR403 TR404
2SC485 (B) or (C) x 2

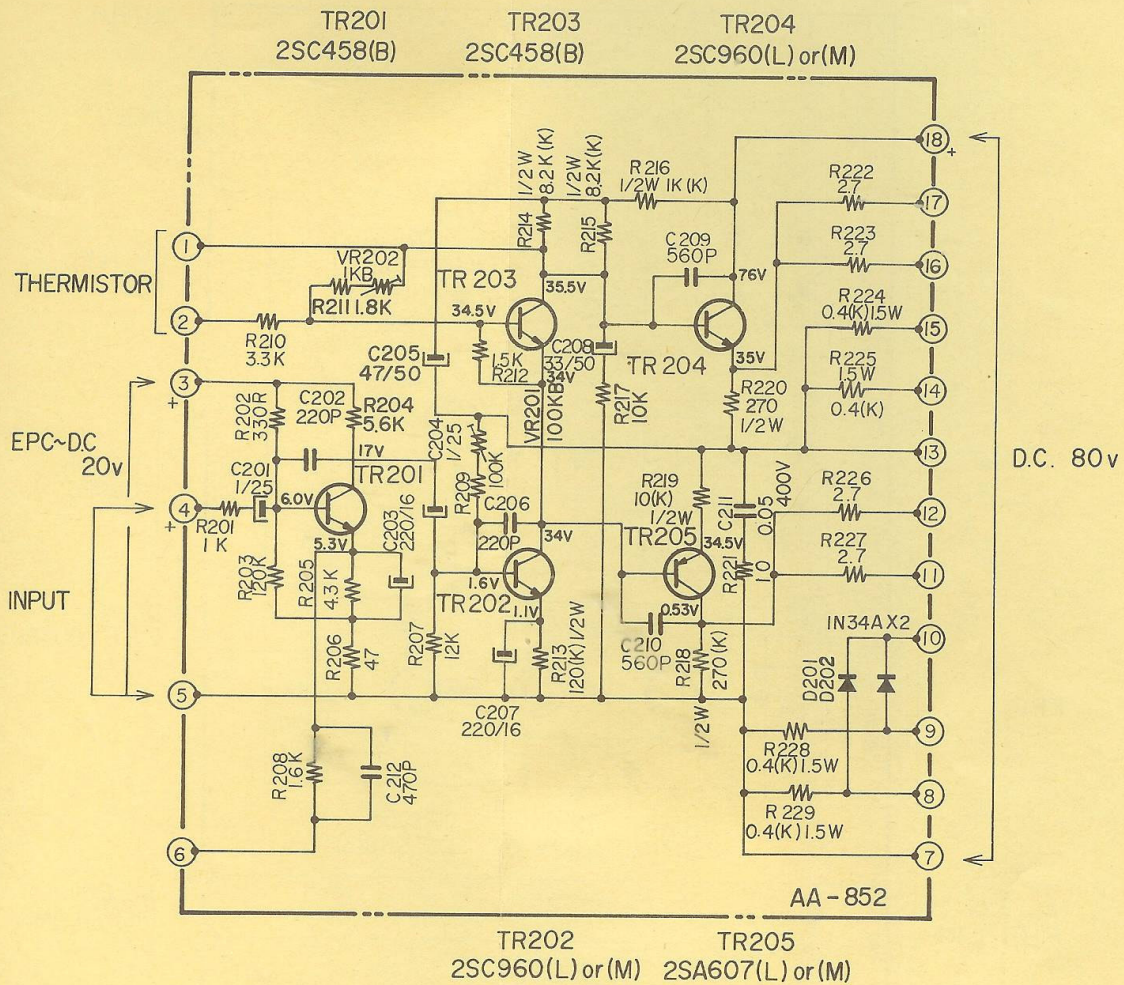
TR451 TR452
2SC458LG (B) or (C) x 2

TR453 TR454
2SC485 (B) or (C) x 2

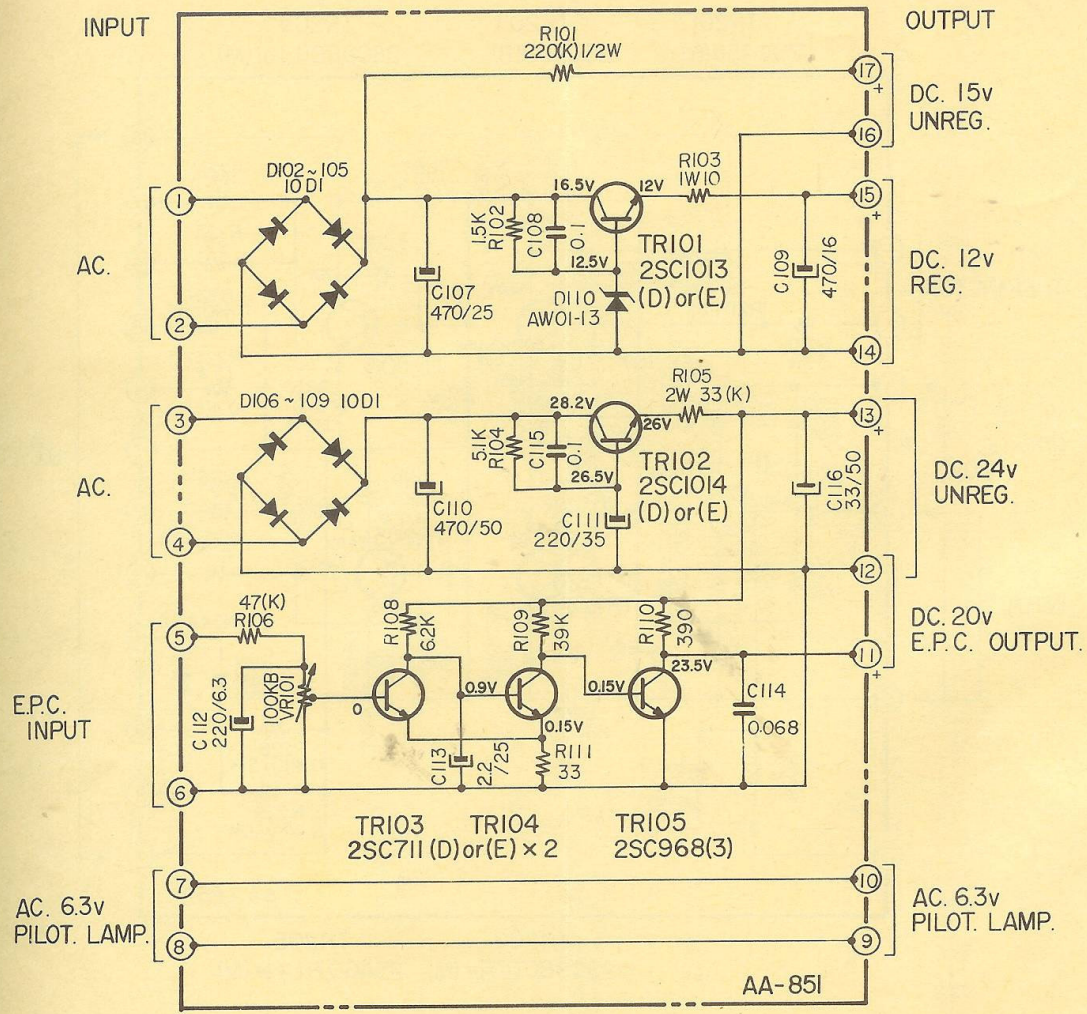
AA-854



AA-8500 PRE. AMP. SCHEMATIC DIAGRAM. No.9-7



AA-8500 POWER AMP. SCHEMATIC DIAGRAM. No.9-8



AA-8500 POWER SUPPLY SCHEMATIC DIAGRAM. No.9-9